



US00D394690S

United States Patent [19]
Sheets

[11] **Patent Number: Des. 394,690**
[45] **Date of Patent: **May 26, 1998**

[54] **GOLF CLUB PUTTER HEAD**
[75] **Inventor: Jeffrey D. Sheets, Wilbraham, Mass.**
[73] **Assignee: Lisco, Inc., Tampa, Fla.**
[**] **Term: 14 Years**
[21] **Appl. No.: 65,314**
[22] **Filed: Jan. 23, 1997**
[51] **LOC (6) Cl. 21-02**
[52] **U.S. Cl. D21/219**
[58] **Field of Search D21/217-219;**
473/251-256, 340, 341

D. 363,330 10/1995 Greene et al. D21/219
D. 368,505 4/1996 Greene et al. D21/219

Primary Examiner—Ted Shooman
Assistant Examiner—Mitchell I. Siegel

[57] **CLAIM**

The ornamental design of the golf club putter head, as shown and described.

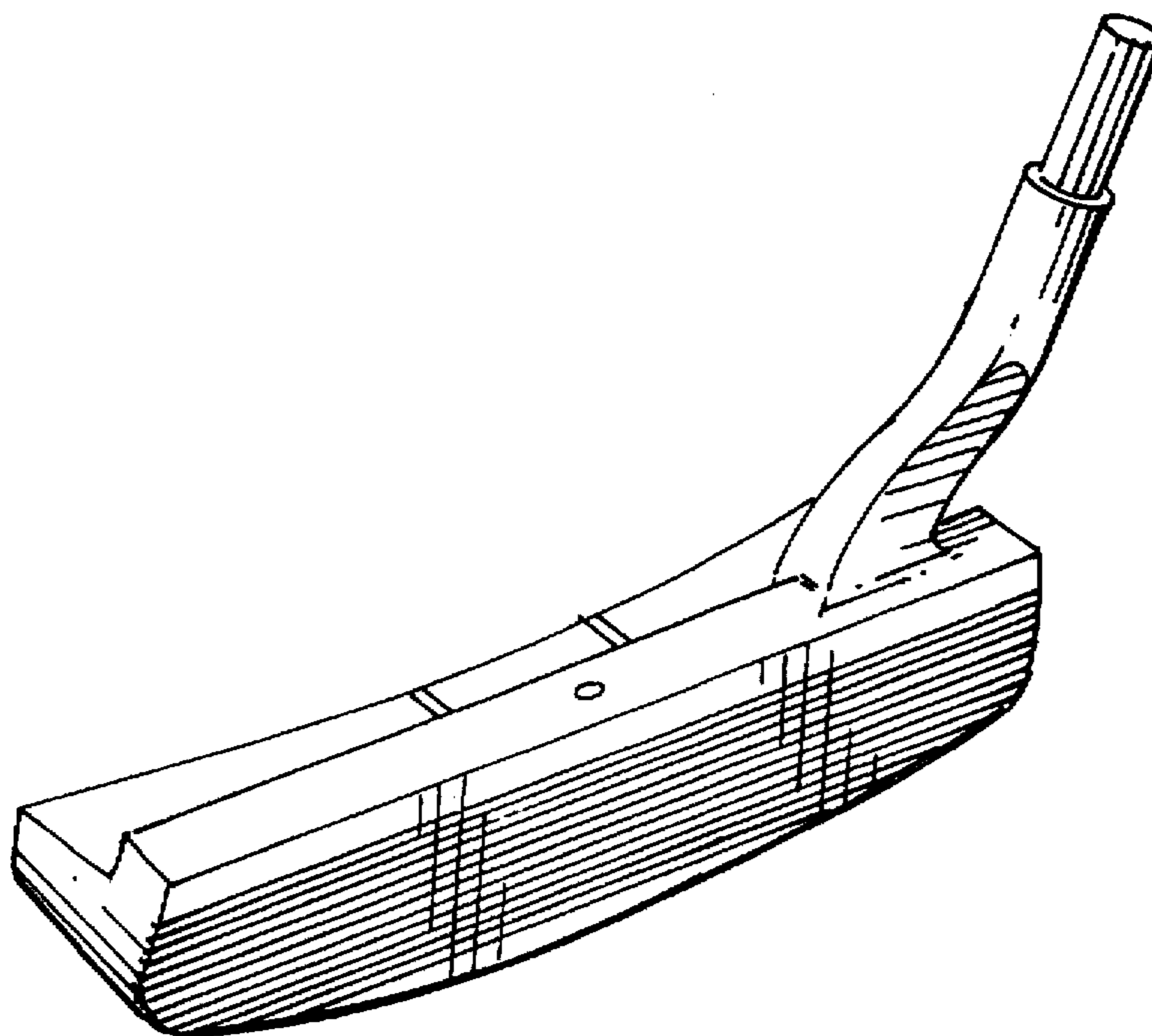
DESCRIPTION

FIG. 1 is a perspective view of the golf club putter head showing the design of my invention;
FIG. 2 is a front view thereof;
FIG. 3 is a top plan view thereof;
FIG. 4 is a rear view thereof;
FIG. 5 is a bottom view thereof;
FIG. 6 is a left end view thereof; and,
FIG. 7 is a right end view thereof.

[56] **References Cited**
U.S. PATENT DOCUMENTS

D. 212,890 12/1968 Rose D21/217
D. 363,327 10/1995 Greene et al. D21/219
D. 363,328 10/1995 Greene et al. D21/219

1 Claim, 2 Drawing Sheets



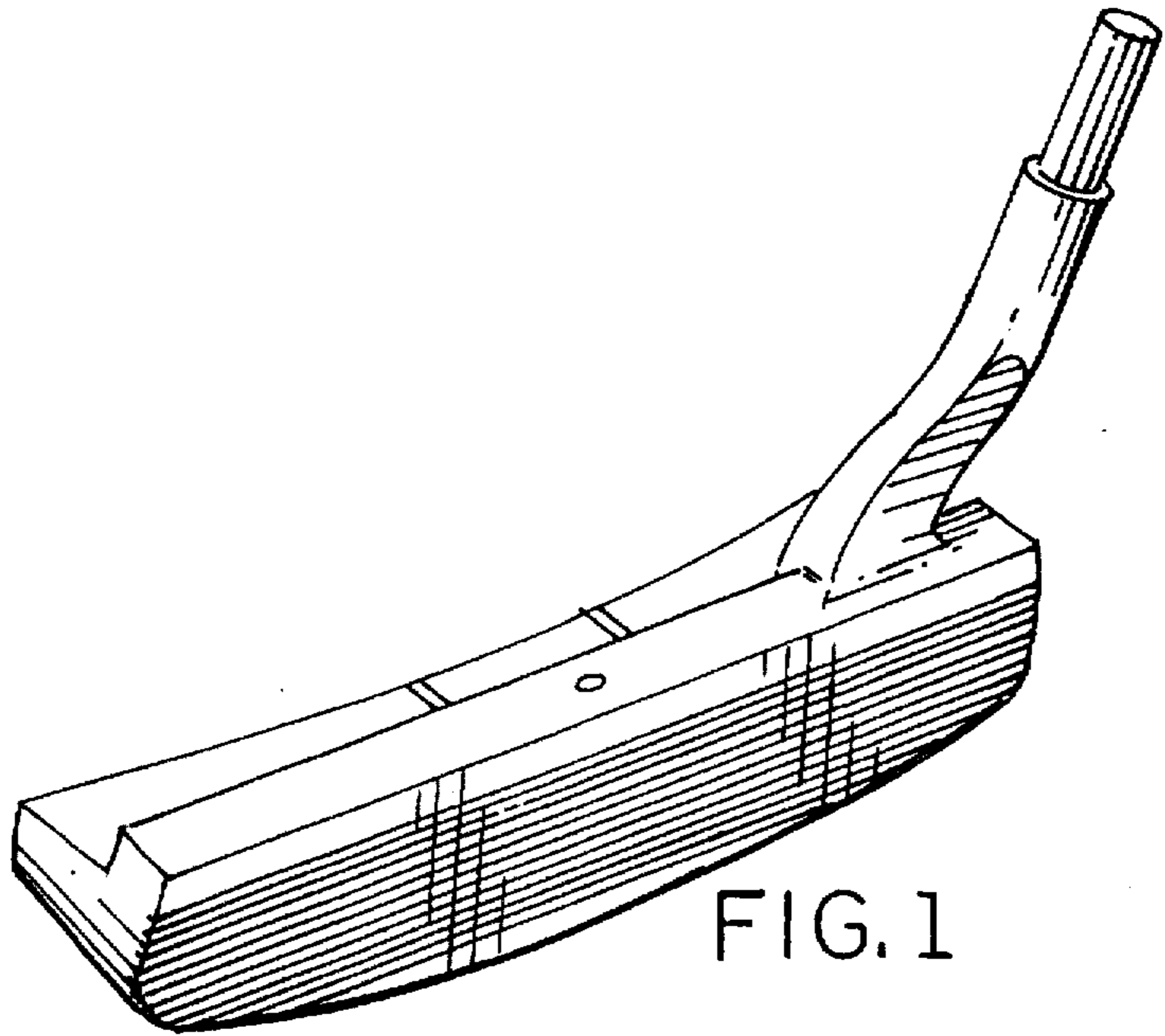


FIG. 1

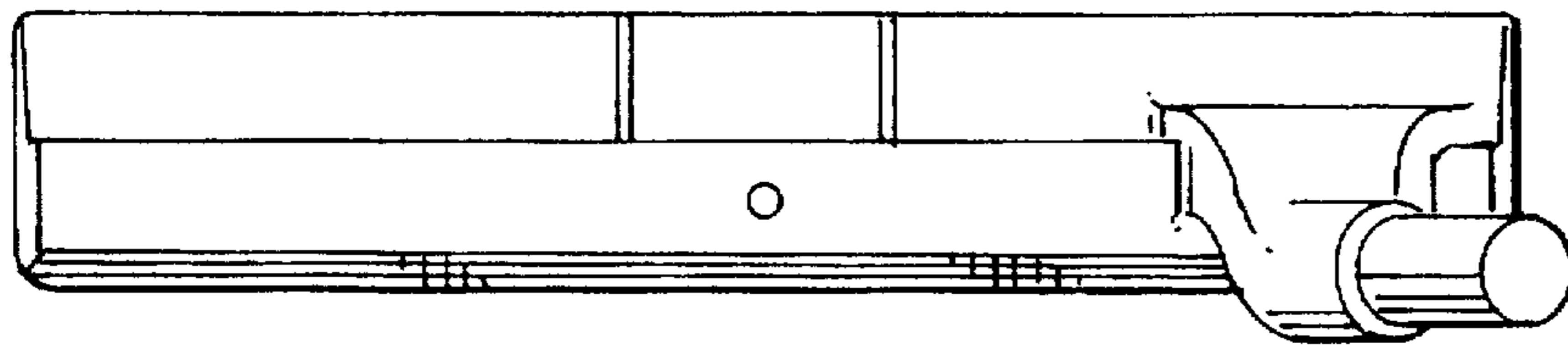


FIG. 3

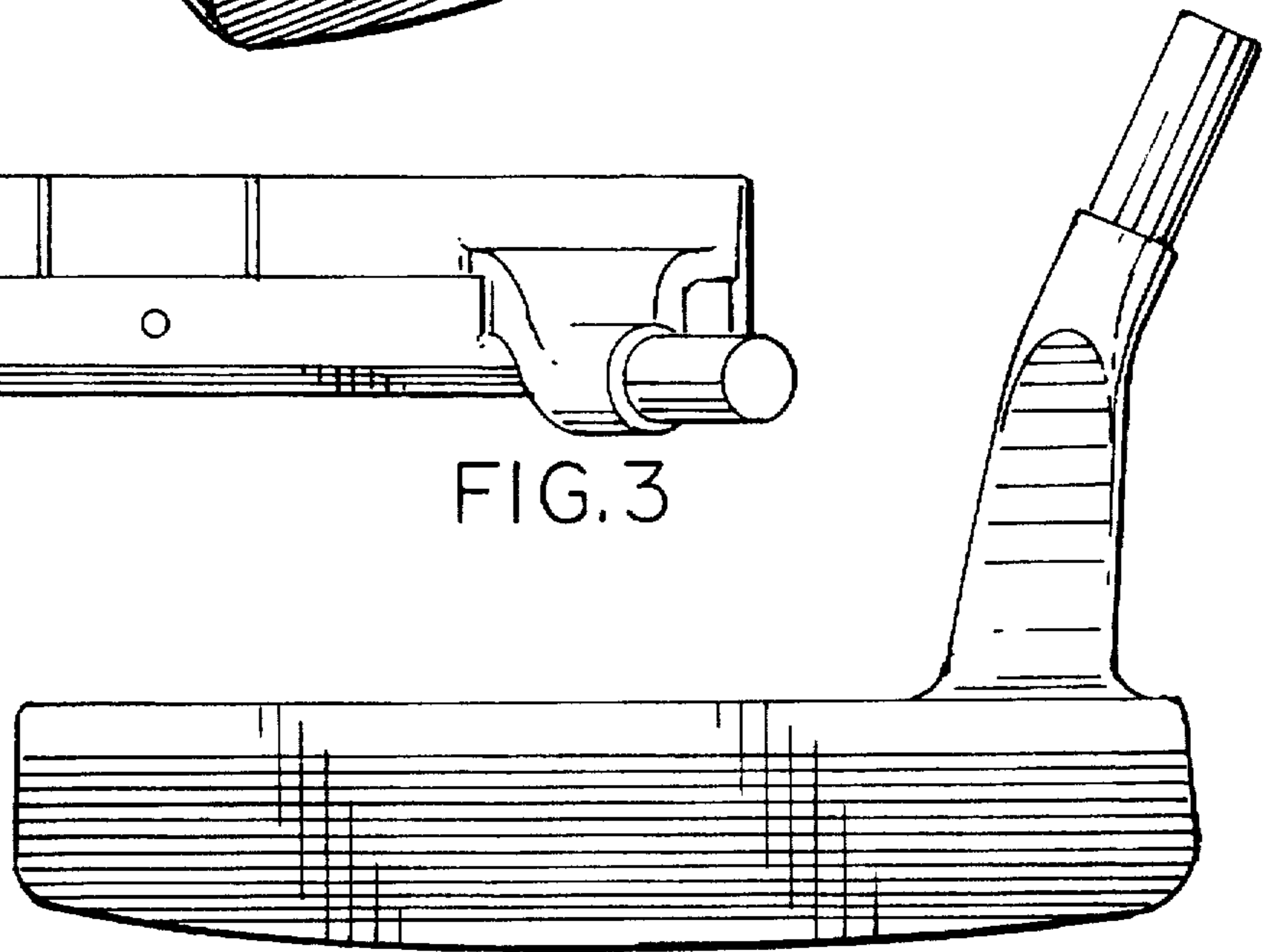


FIG. 2

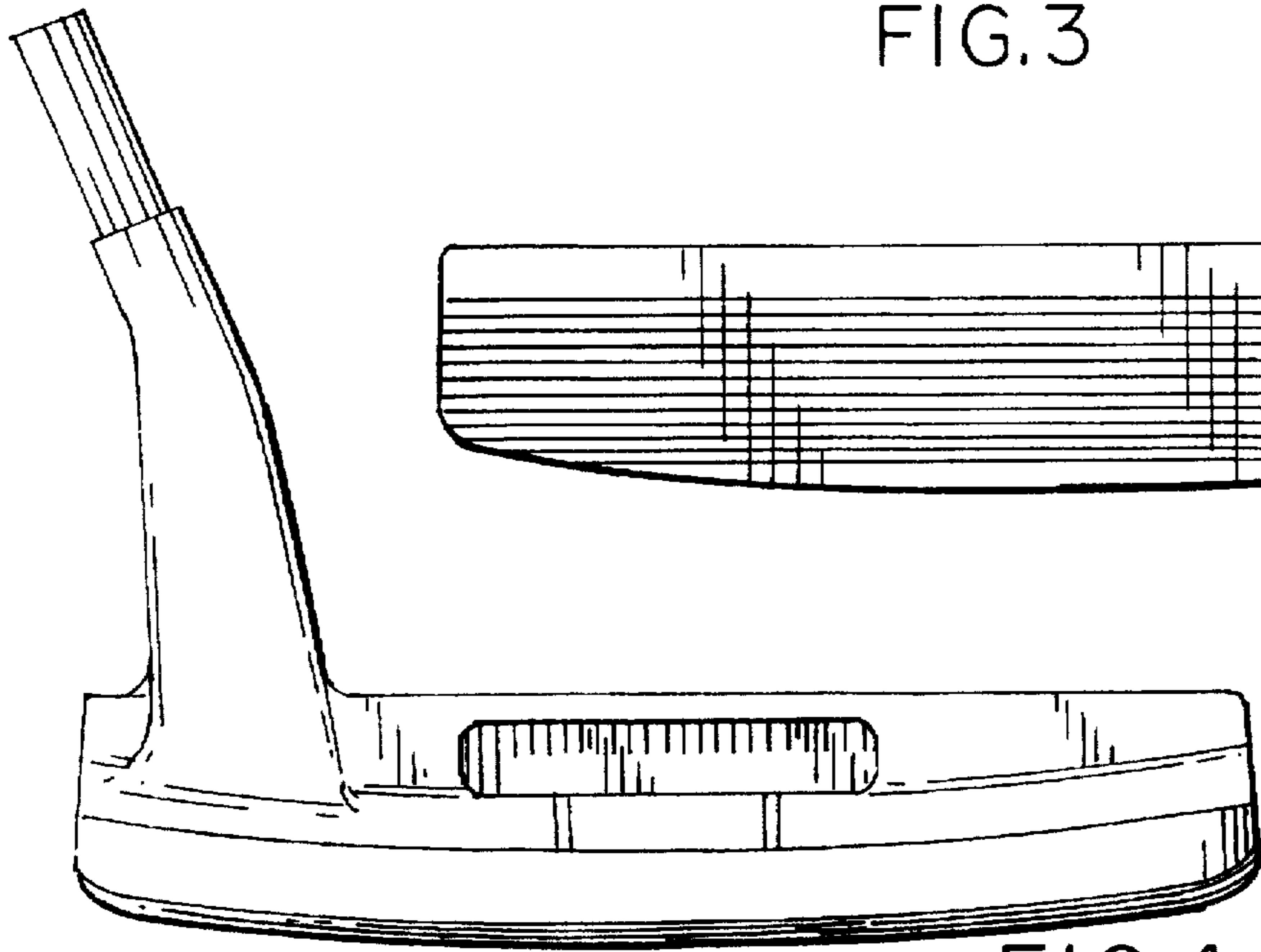


FIG. 4

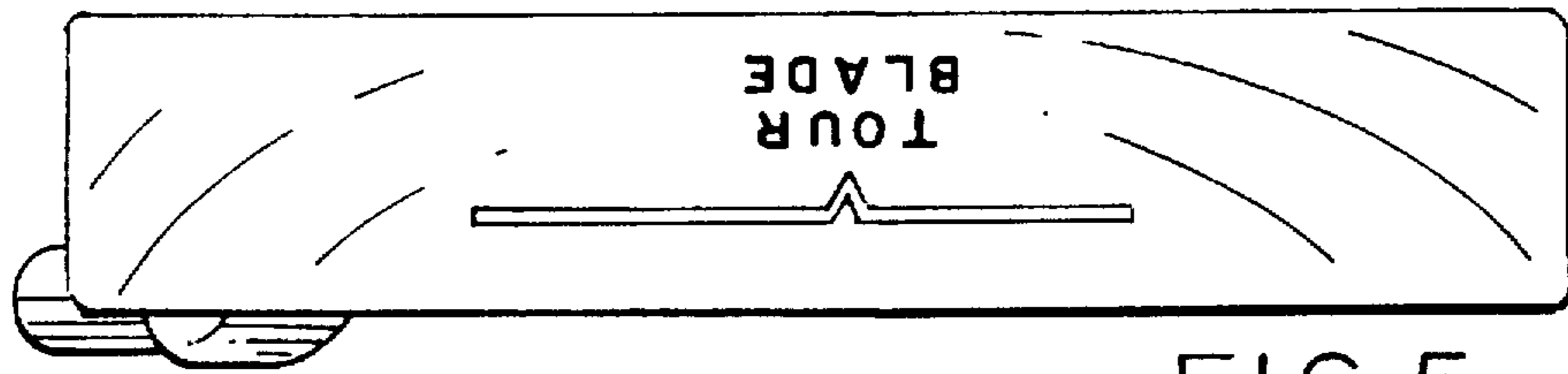


FIG. 5



FIG. 6

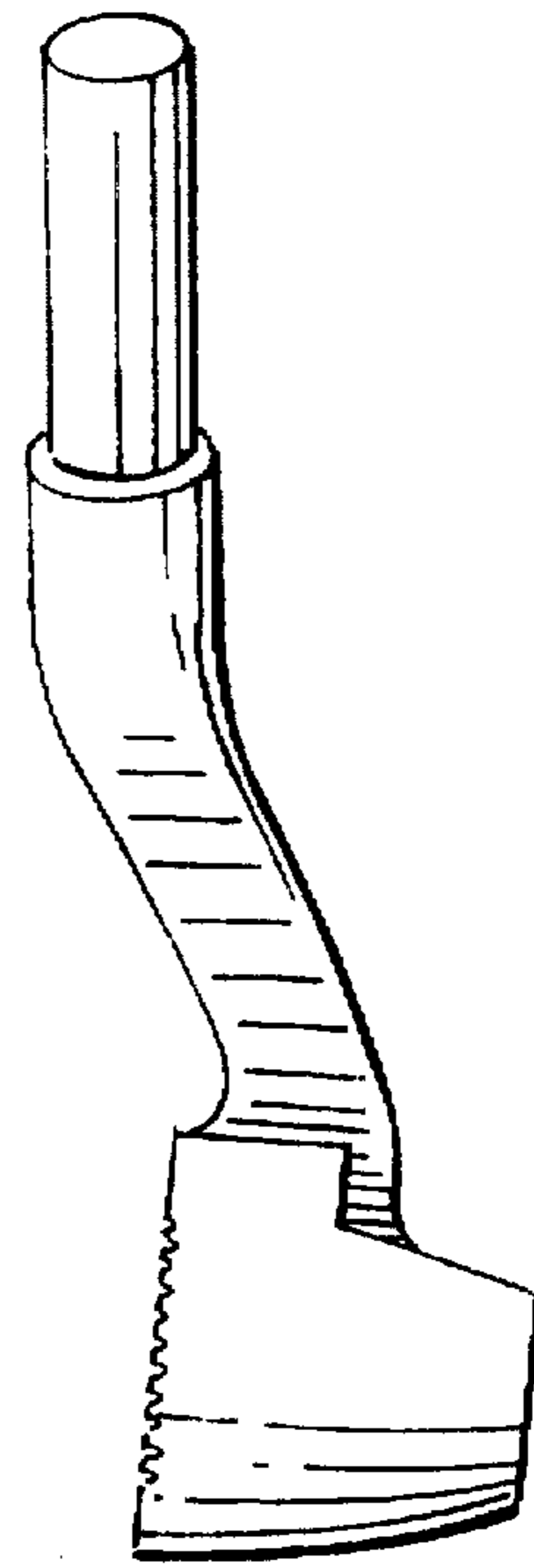


FIG. 7