



US00D394689S

**United States Patent** [19]  
**Sheets**

[11] **Patent Number: Des. 394,689**  
[45] **Date of Patent: \*\*May 26, 1998**

[54] **GOLF CLUB PUTTER HEAD**

[75] **Inventor: Jeffrey D. Sheets, Wilbraham, Mass.**  
[73] **Assignee: Lisco, Inc., Tampa, Fla.**  
[\*\*] **Term: 14 Years**

[21] **Appl. No.: 65,313**  
[22] **Filed: Jan. 23, 1997**

[51] **LOC (6) Cl. .... 21-02**  
[52] **U.S. Cl. .... D21/219**  
[58] **Field of Search ..... D21/217-219;**  
**473/251-256, 340, 341**

[56] **References Cited**

**U.S. PATENT DOCUMENTS**

D. 293,126 12/1987 Bizovi ..... D21/219  
4,693,478 9/1987 Long ..... 473/251

**OTHER PUBLICATIONS**

Golf Digest; p. 30; Cobra Married Metal putter; upper left box, 1st on right, Apr. 1989.  
GolfSmith; mail order insert, solid brass putter, Nov. 1992.  
*Primary Examiner*—Ted Shooman  
*Assistant Examiner*—Mitchell I. Siegel

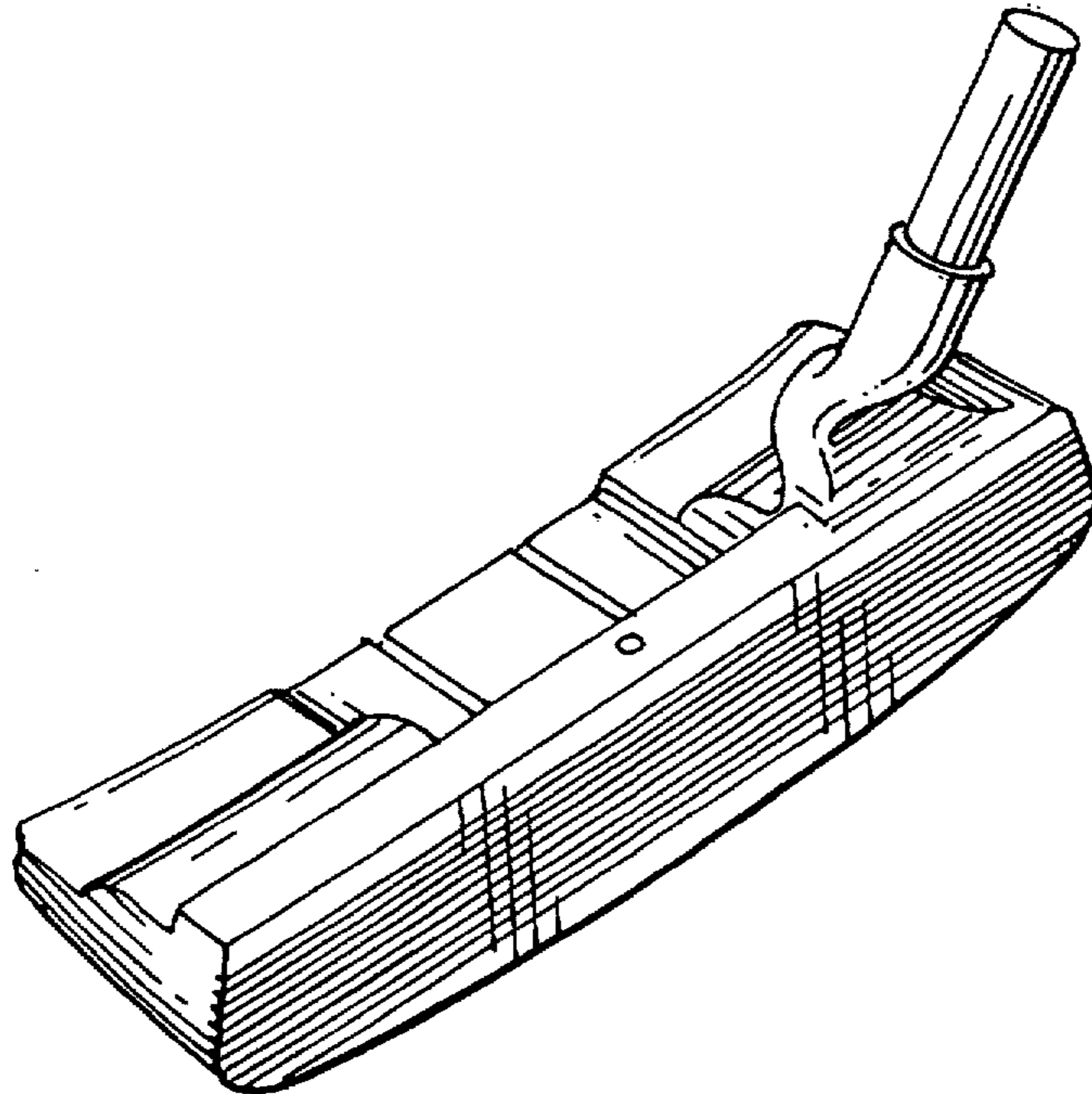
[57] **CLAIM**

The ornamental design of the golf club putter head, as shown and described.

**DESCRIPTION**

FIG. 1 is a perspective view of the golf club putter head showing the design of my invention;  
FIG. 2 is a front view thereof;  
FIG. 3 is a top plan view thereof;  
FIG. 4 is a rear view thereof;  
FIG. 5 is a bottom view thereof;  
FIG. 6 is a left end view thereof; and,  
FIG. 7 is a right end view thereof.

**1 Claim, 2 Drawing Sheets**



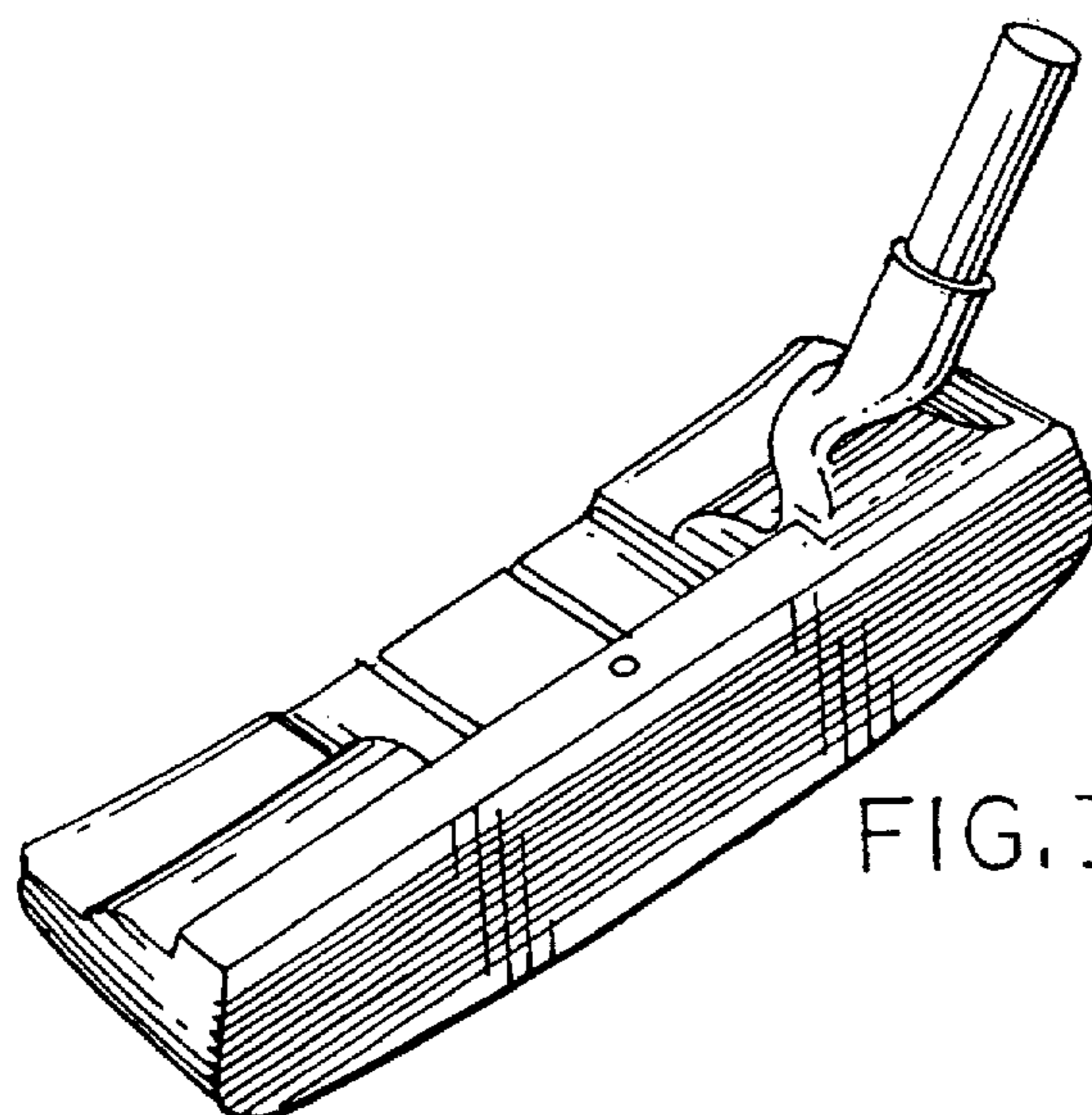


FIG. 1

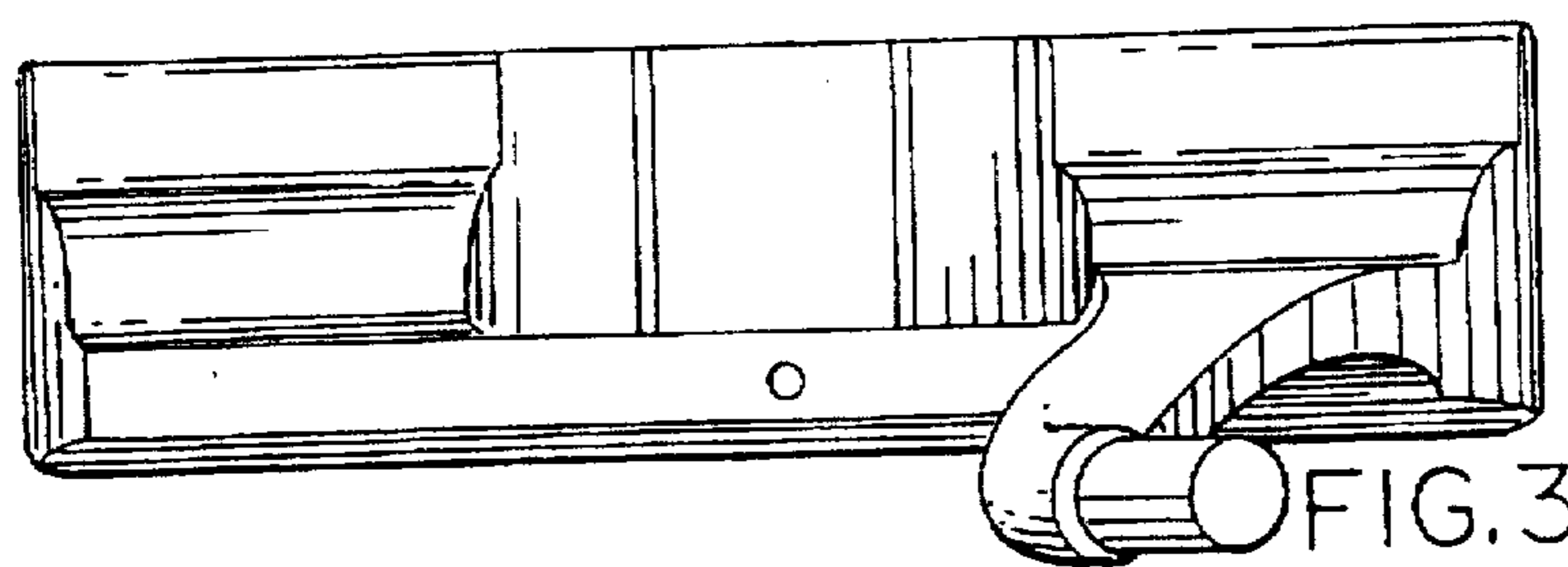


FIG. 3

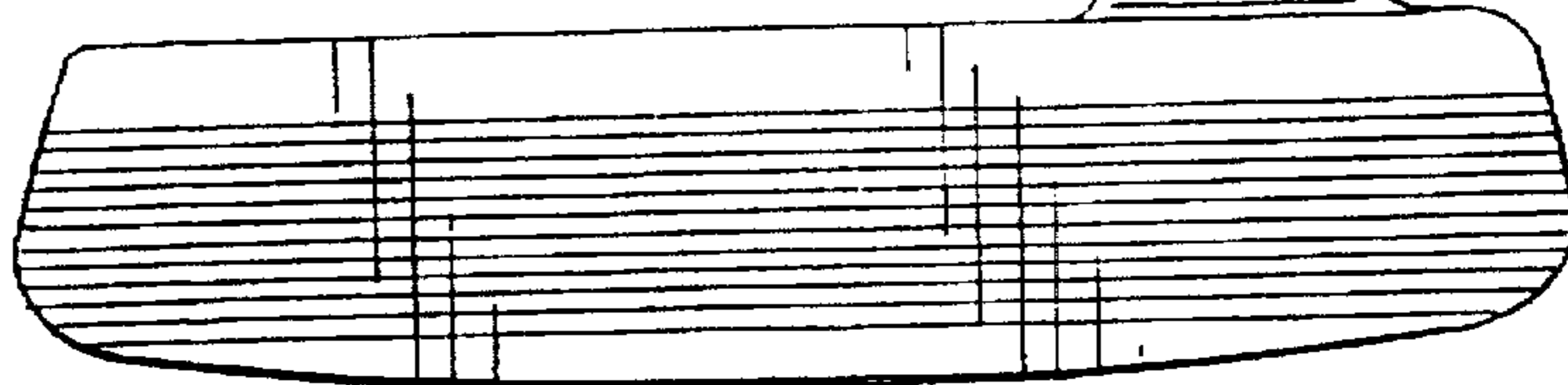
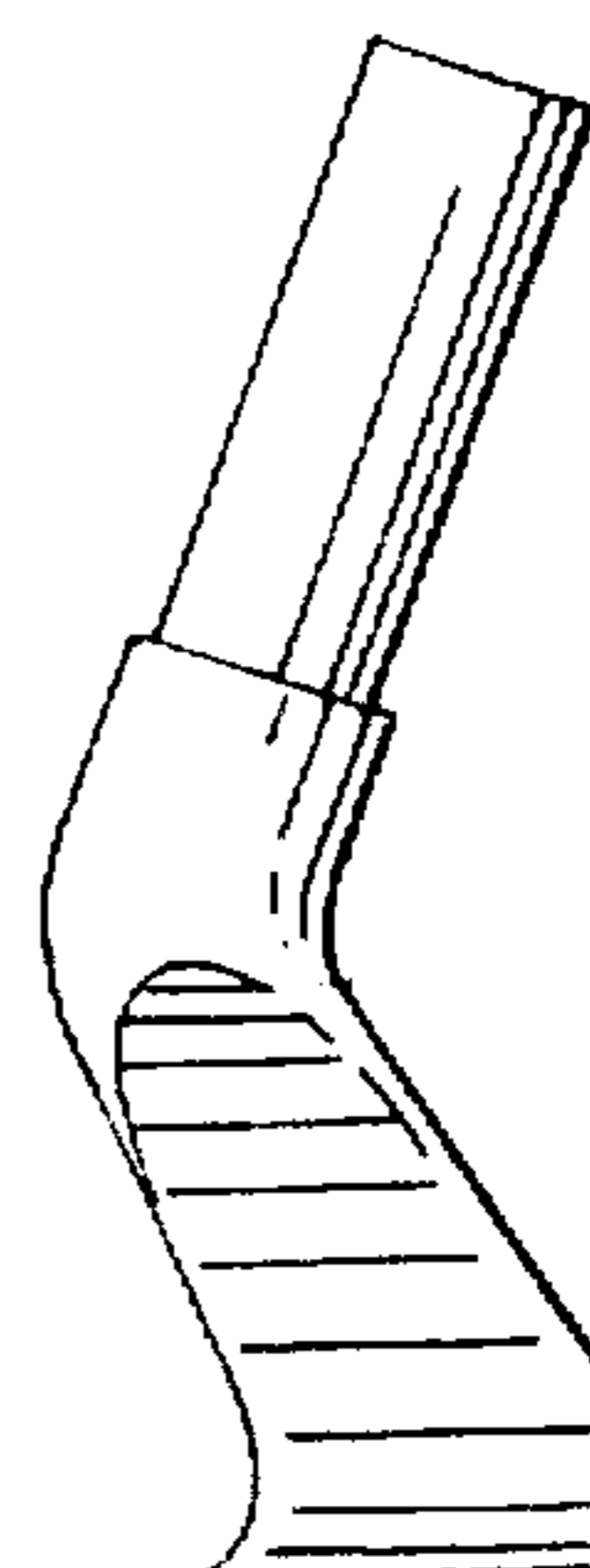


FIG. 2

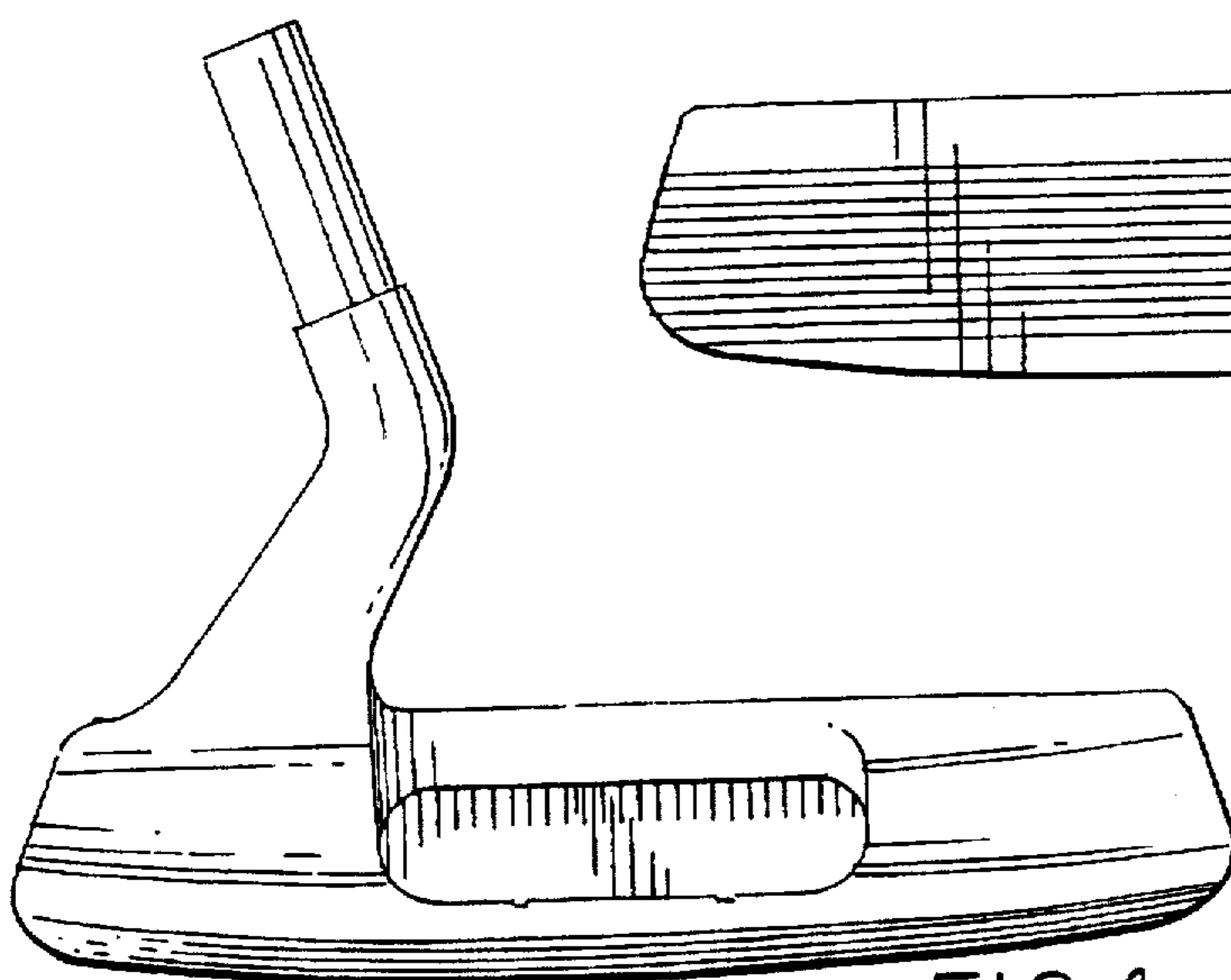


FIG. 4

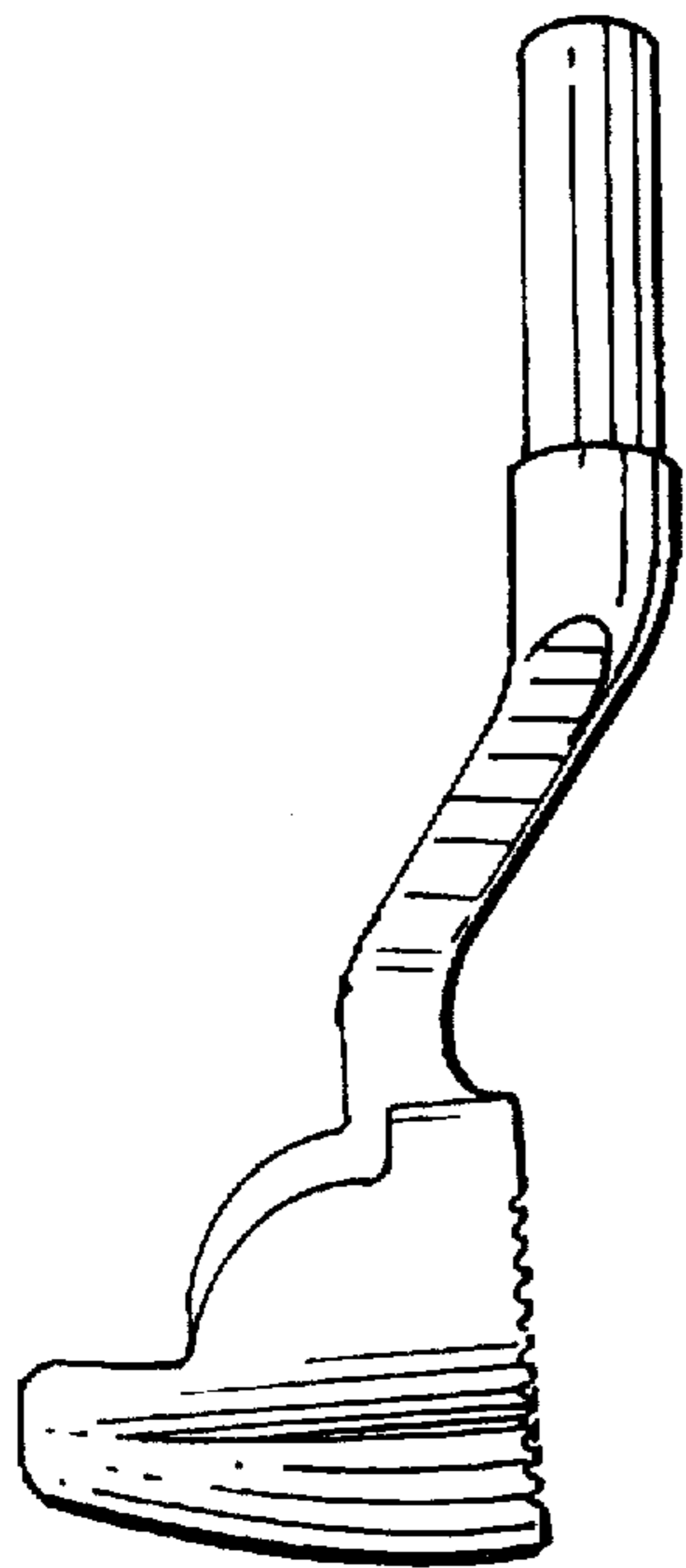
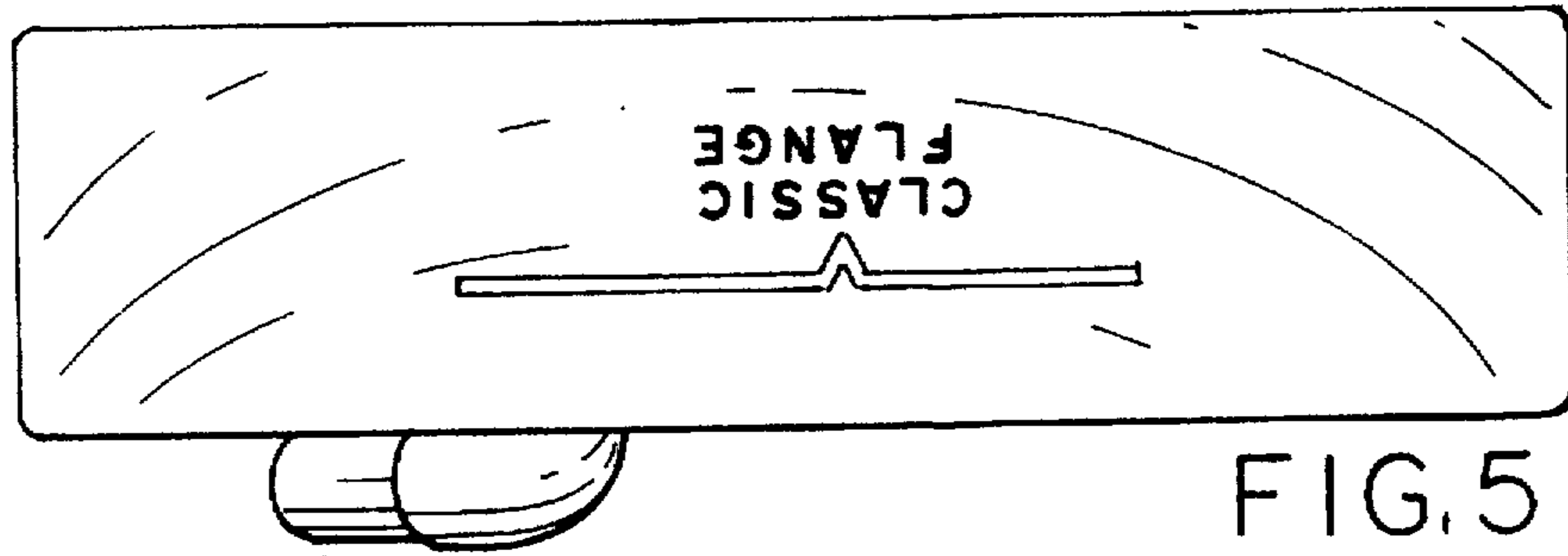


FIG. 6

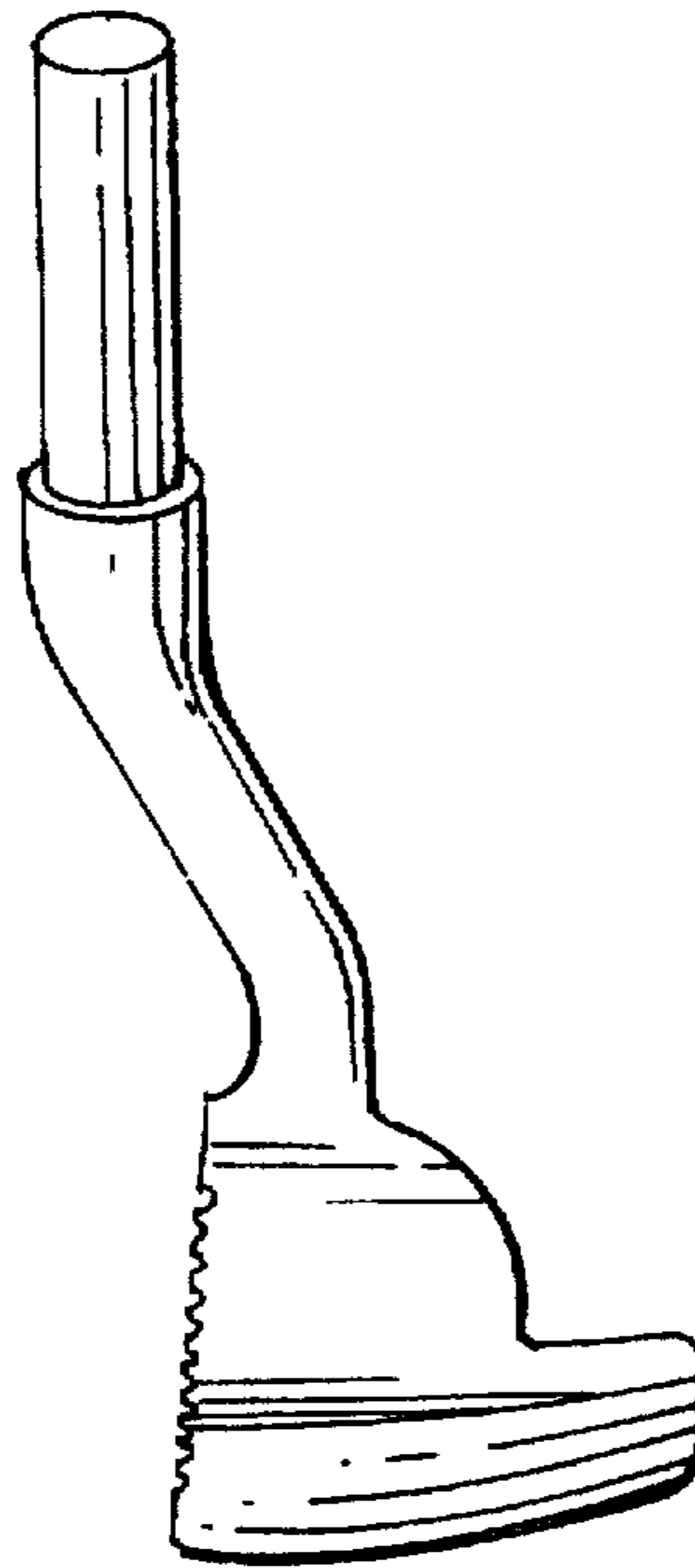


FIG. 7