



US00D394680S

United States Patent [19]
Andersen

[11] **Patent Number:** **Des. 394,680**
[45] **Date of Patent:** ****May 26, 1998**

- [54] **BOTTOM FOR A TOY CAR**
- [75] **Inventor:** **Edel Schwarz Andersen, Randbøl, Denmark**
- [73] **Assignee:** **INTERLEGO AG, Baar, Switzerland**
- [**] **Term:** **14 Years**
- [21] **Appl. No.:** **59,837**
- [22] **Filed:** **Sep. 17, 1996**
- [51] **LOC (6) Cl.** **21-01**
- [52] **U.S. Cl.** **D21/108; D21/141**
- [58] **Field of Search** **D21/108, 109, D21/124, 125, 134, 136, 141; 446/103, 105, 106, 93, 97, 110, 115, 120, 121, 124, 125, 126, 128, 471, 479, 487; 434/401**
- [56] **References Cited**

U.S. PATENT DOCUMENTS

- D. 282,677 2/1986 Arigaya D21/141
- D. 287,519 12/1986 Takahashi D21/108

- D. 295,644 5/1988 Takahashi D21/141
- D. 305,442 1/1990 Knudsen D21/108
- D. 311,942 11/1990 Dideriksen D21/141
- D. 362,875 10/1995 Yognsen D21/108
- D. 375,331 11/1996 Pagel D21/108

Primary Examiner—Raphael Barkai
Attorney, Agent, or Firm—Kane, Dalsimer, Sullivan, Kurucz, Eisele and Richard, LLP

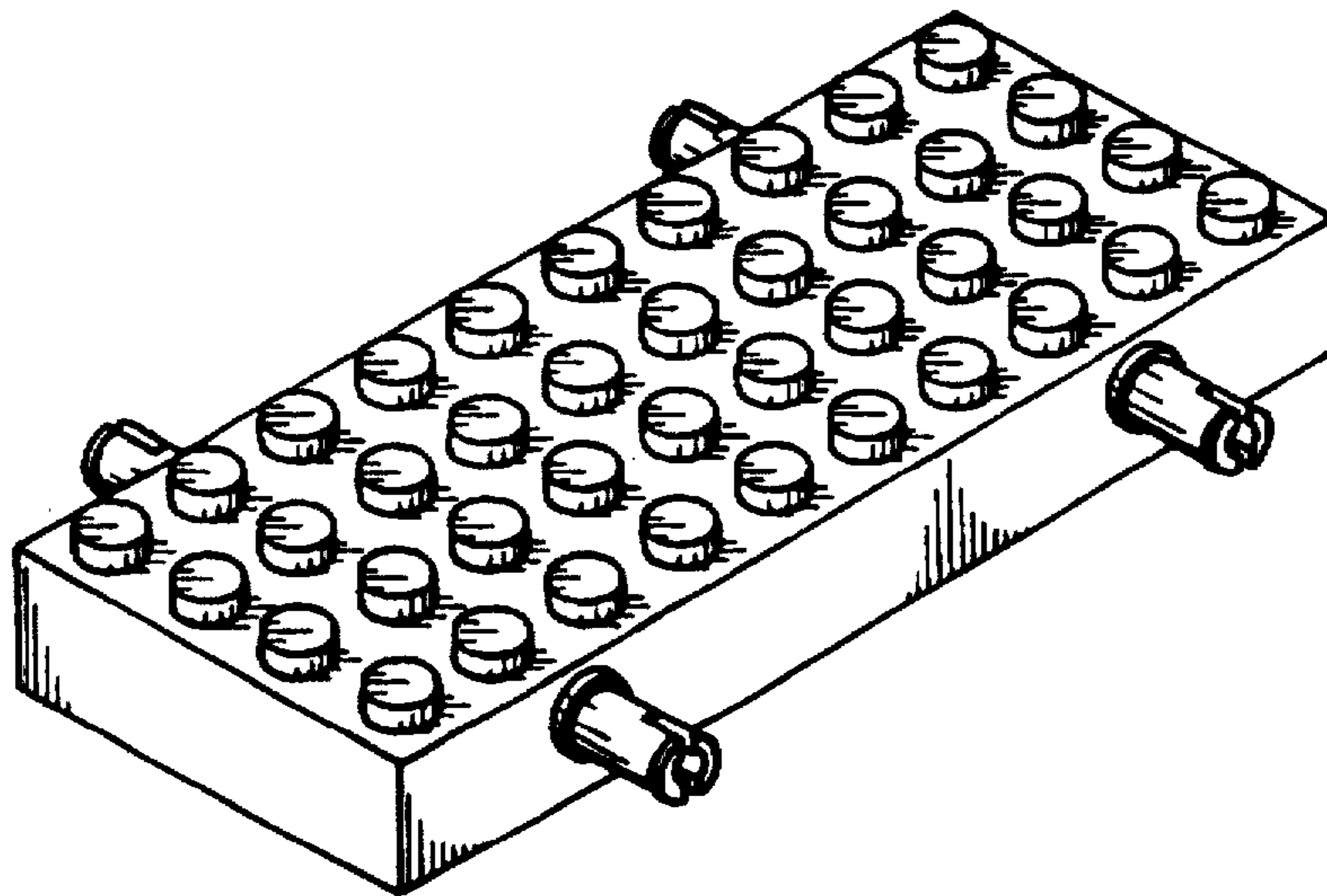
[57] **CLAIM**

The ornamental design for a bottom for a toy car, as shown and described.

DESCRIPTION

FIG. 1 is a top perspective view of the bottom for a toy car; FIG. 2 is a bottom perspective view thereof; FIG. 3 is a front elevational view thereof; FIG. 4 is a left side elevational view thereof; FIG. 5 is a right side elevational view thereof; FIG. 6 is a rear elevational view thereof; FIG. 7 is a bottom plan view thereof; and, FIG. 8 is a top plan view thereof.

1 Claim, 2 Drawing Sheets



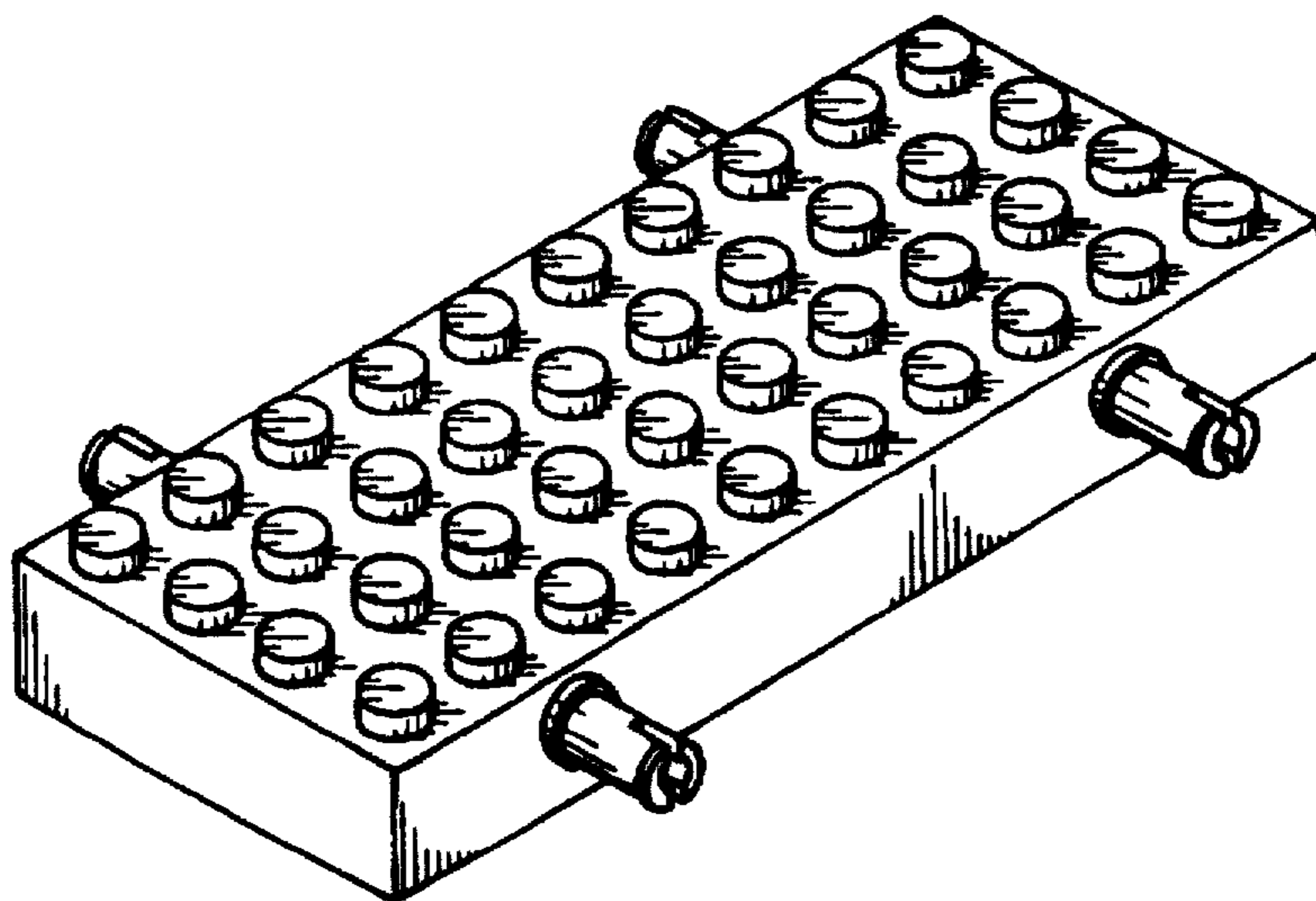


FIG. 1

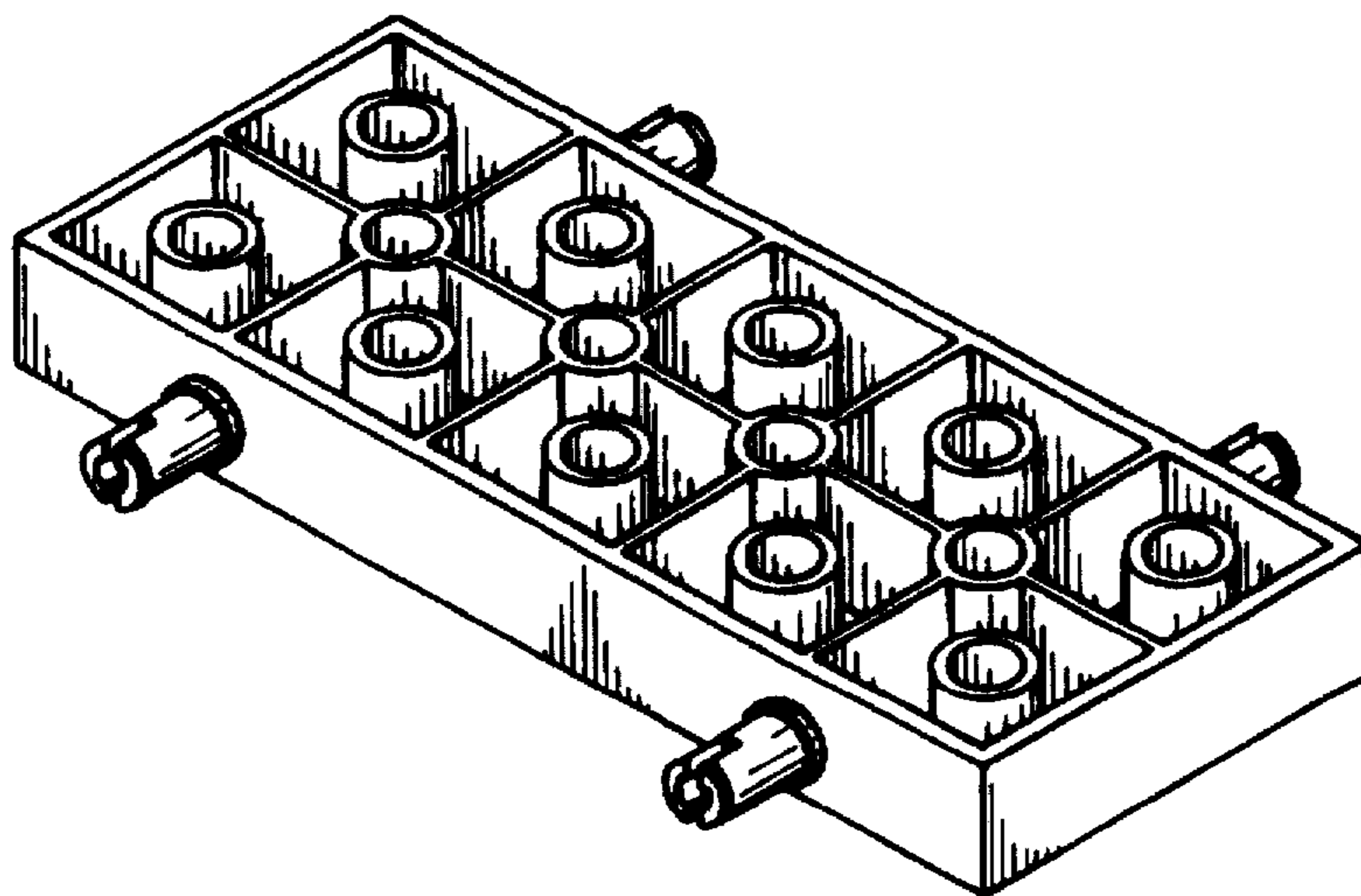


FIG. 2

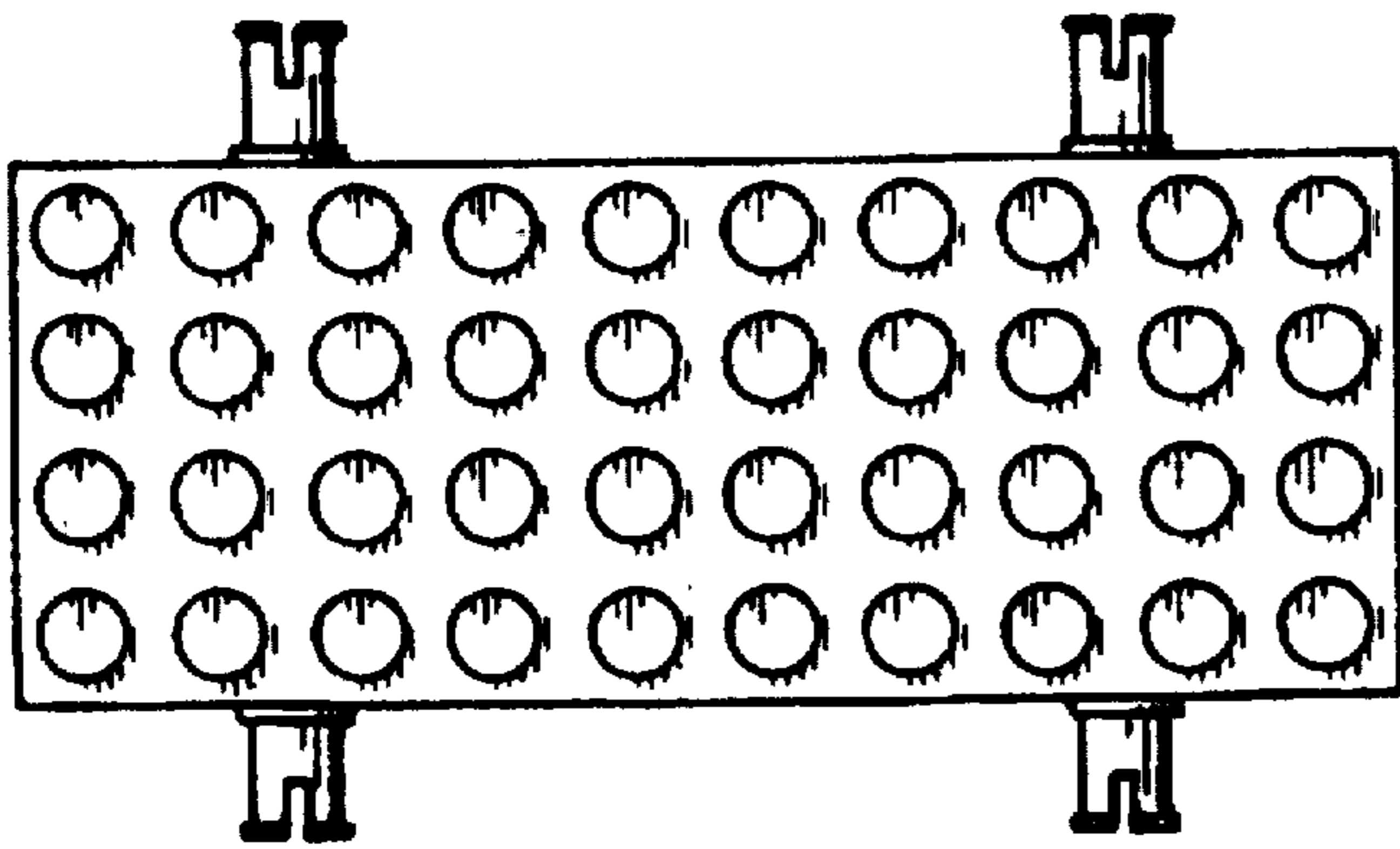


FIG. 8

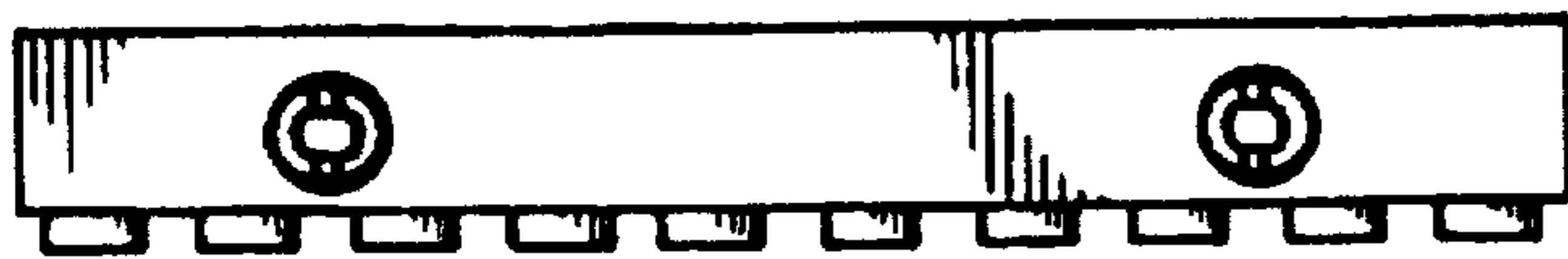


FIG. 4



FIG. 3

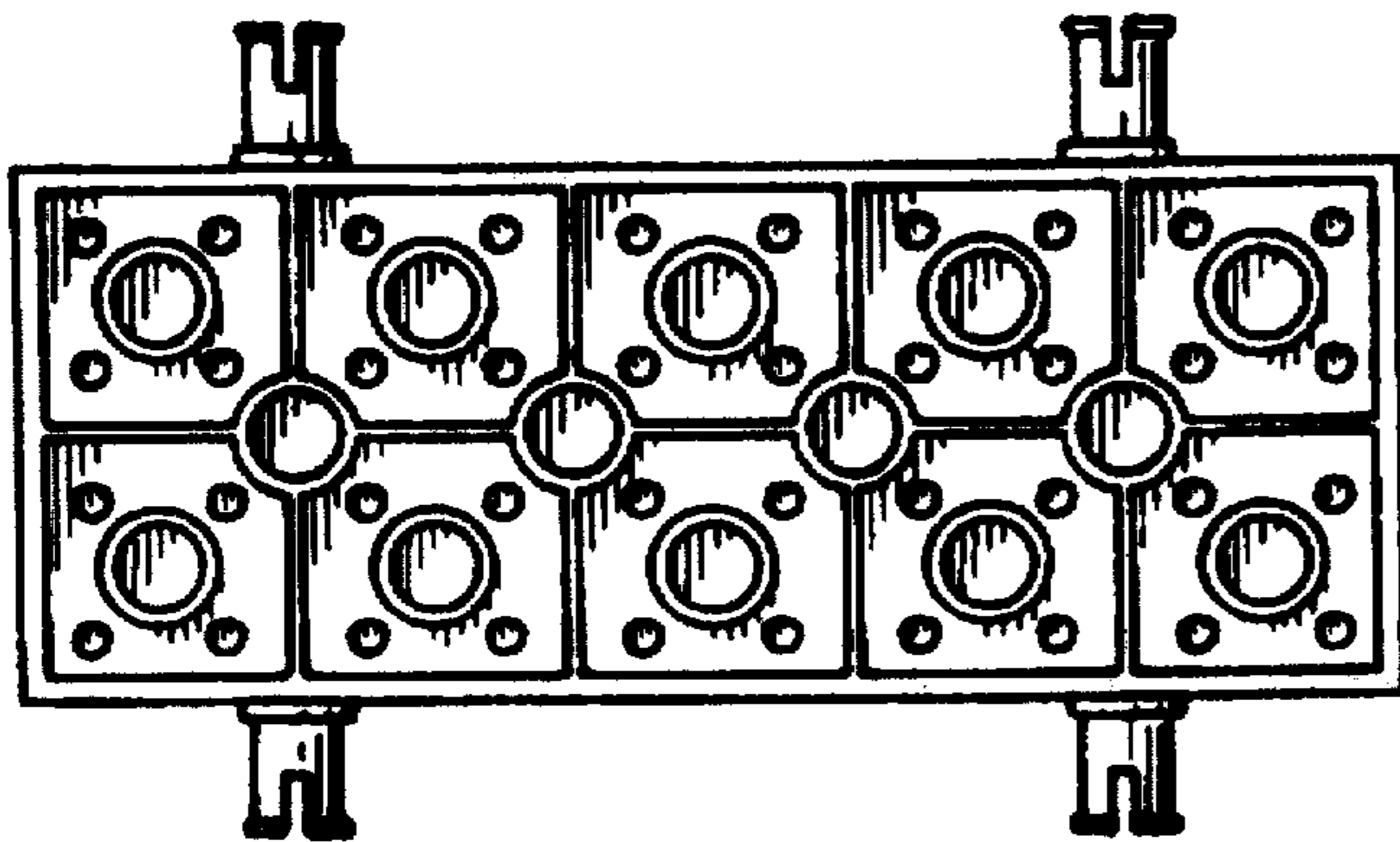


FIG. 7



FIG. 5



FIG. 6

UNITED STATES PATENT AND TRADEMARK OFFICE
CERTIFICATE OF CORRECTION

PATENT NO. : Des. 394,680
DATED : May 26, 1998
INVENTOR(S) : Edel Schwarz Andersen

It is certified that error appears in the above-identified patent and that said Letters Patent is hereby corrected as shown below: **On the title page: Item [56]**

under Attorney, Agent, or Firm, please correct the Attorney, Agent, or Firm information to read as follows:

Attorney, Agent, or Firm - Kane, Dalsimer, Sullivan, Kurucz, Levy, Eisele and Richard, LLP

Signed and Sealed this
Twenty-first Day of July, 1998



Attest:

BRUCE LEHMAN

Attesting Officer

Commissioner of Patents and Trademarks