

US00D394677S

United States Patent [19]

Sligar, Jr. et al.

[11] Patent Number: **Des. 394,677**

[45] Date of Patent: ****May 26, 1998**

[54] **BINGO PLAY BOARD WITH ATTACHABLE ASHTRAY AND CUP HOLDER**

[76] Inventors: **Gary W. Sligar, Jr.; David Macarelli.**
both of 2430 Ridgewood Dr. Apt. #4,
West Covina, Calif. 91792

[**] Term: **14 Years**

[21] Appl. No.: **69,691**

[22] Filed: **Apr. 4, 1997**

[51] LOC (6) Cl. **21-01**

[52] U.S. Cl. **D21/55; D19/88**

[58] Field of Search **D19/88, 90, 91;**
D21/48, 54, 55, 56, 57; 273/236-288, 148 R,
150, 151, 148 A

[56] **References Cited**

U.S. PATENT DOCUMENTS

- D. 267,809 2/1983 Lowery D19/91
- D. 321,012 10/1991 Wright D19/91

- D. 333,160 2/1993 Collins D19/88
- D. 366,501 1/1996 Shamon D19/88
- 4,948,139 8/1990 Heeszel 273/148 A
- 5,120,069 6/1992 Shaw 273/148 A

Primary Examiner—Sandra L. Morris

[57] **CLAIM**

The ornamental design for a bingo play board with attachable ashtray and cup holder, as shown and described.

DESCRIPTION

FIG. 1 is a front elevational view of the bingo play board with attachable ashtray and cup holder showing my new design;

FIG. 2 is a rear elevational view thereof;

FIG. 3 is a right side view thereof;

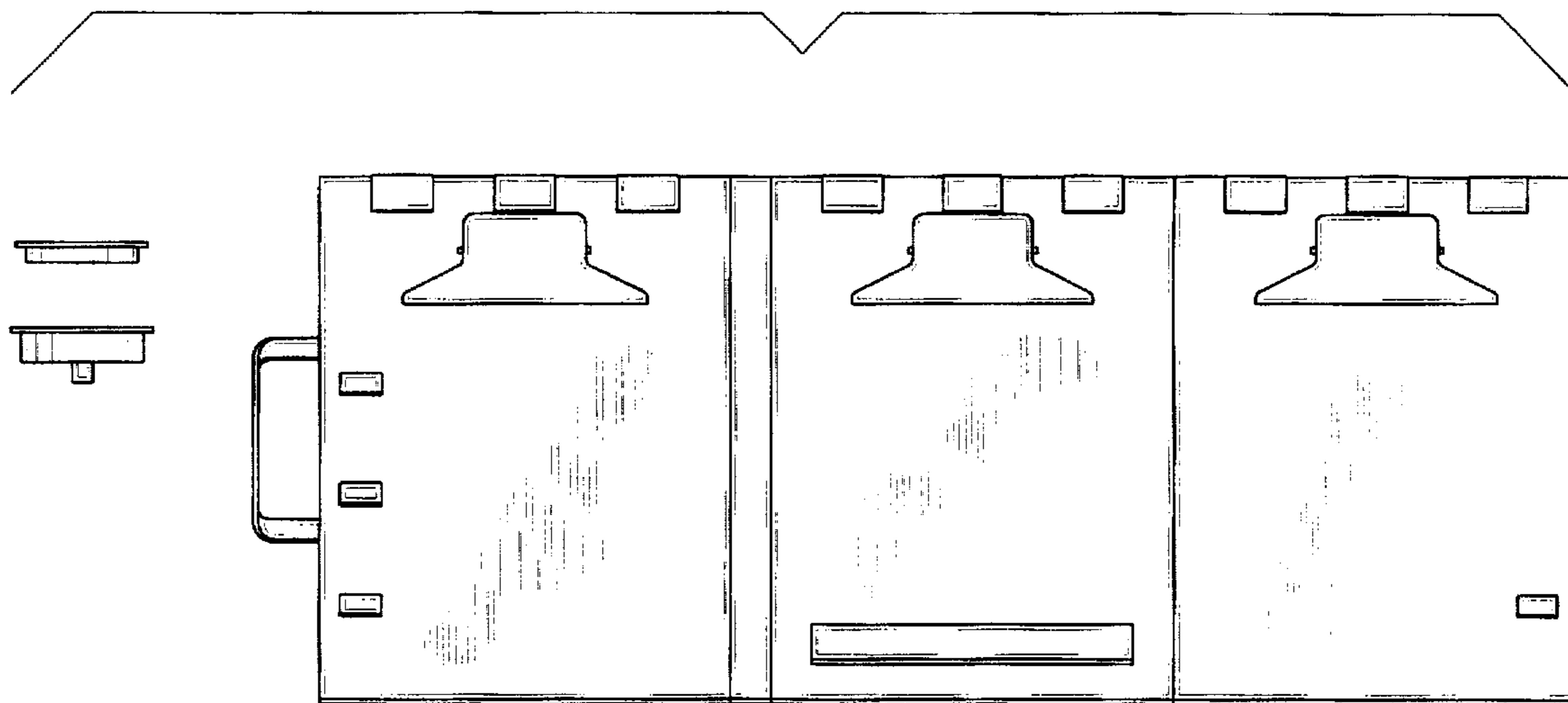
FIG. 4 is a left side view thereof;

FIG. 5 is a top plan view thereof; and,

FIG. 6 is a bottom plan view thereof.

The attachable ashtray and cup holder are shown detached and to the side of the device.

1 Claim, 3 Drawing Sheets



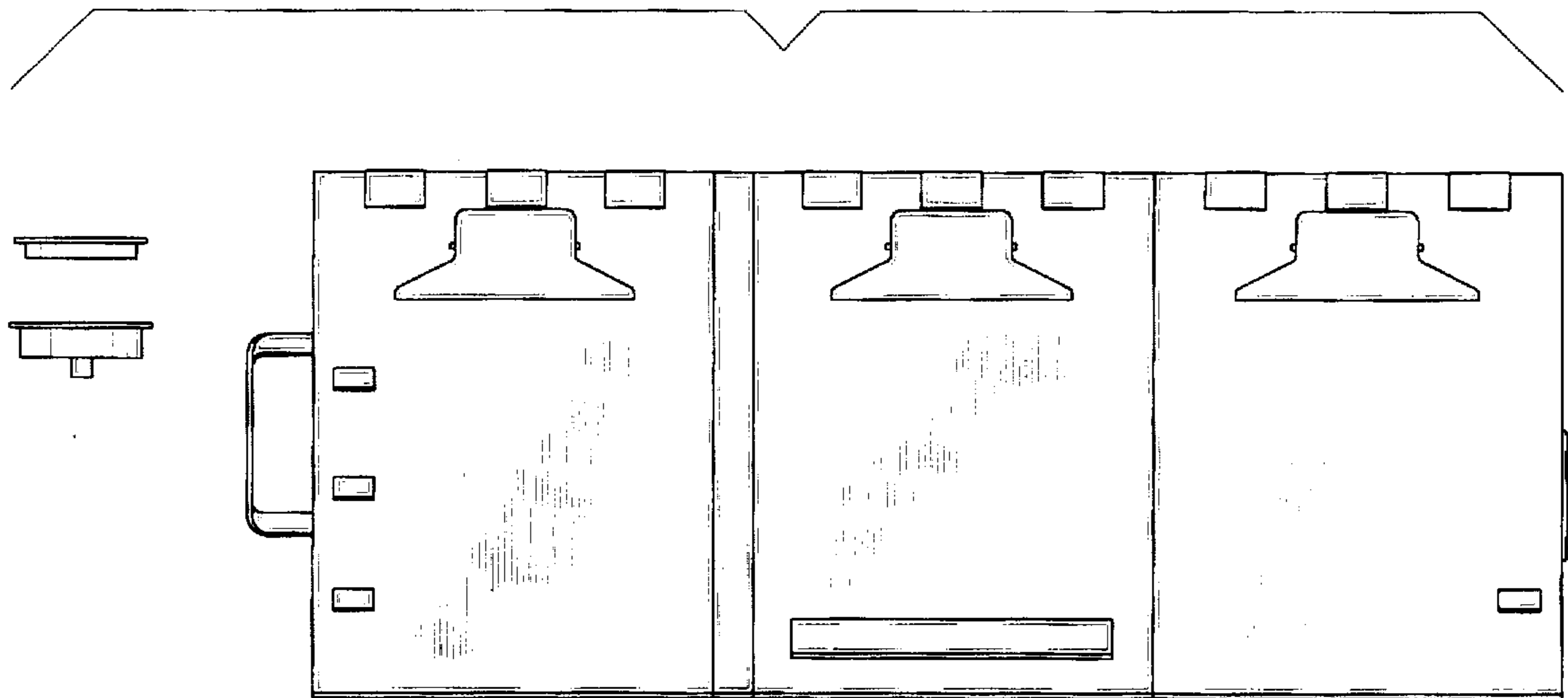


Fig. 1

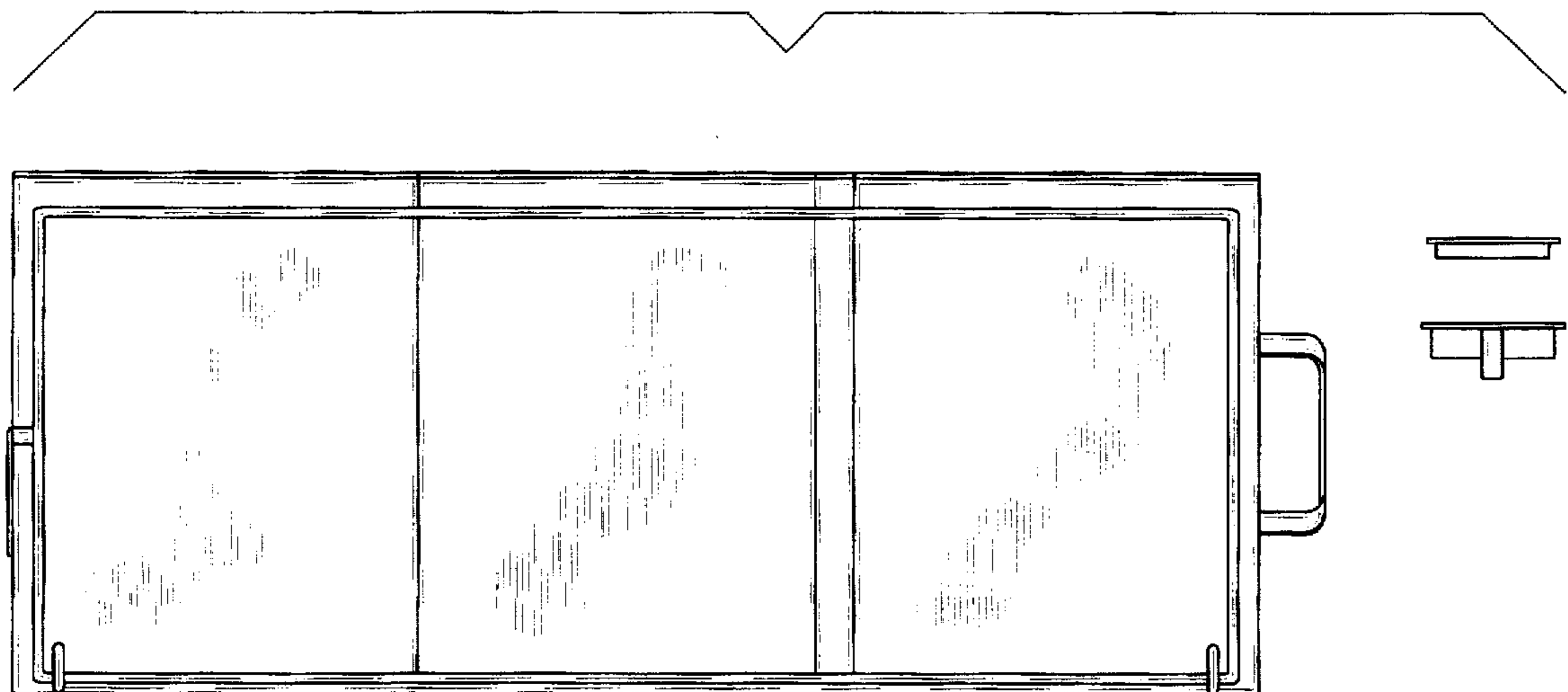


Fig. 2

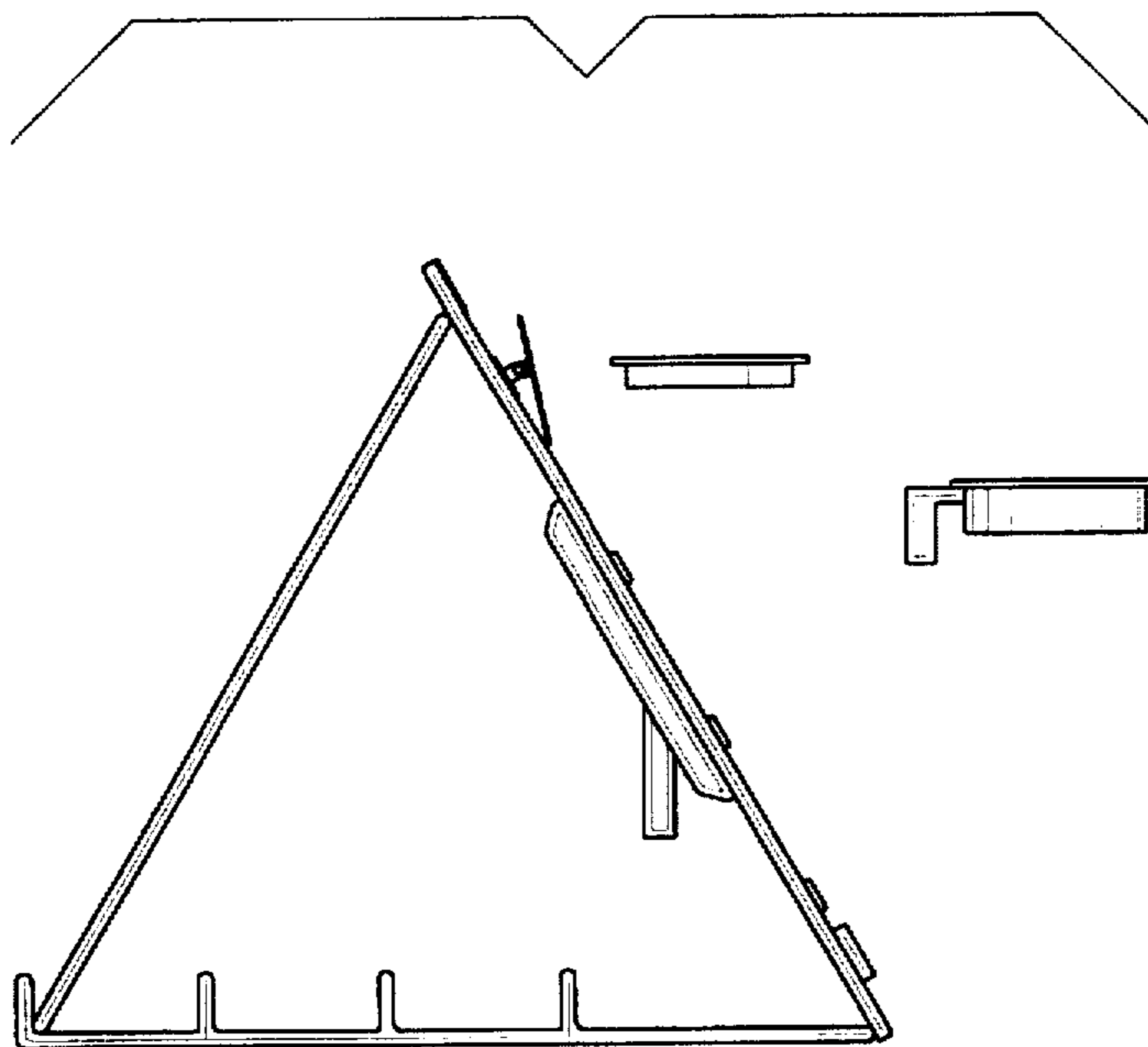


Fig. 3

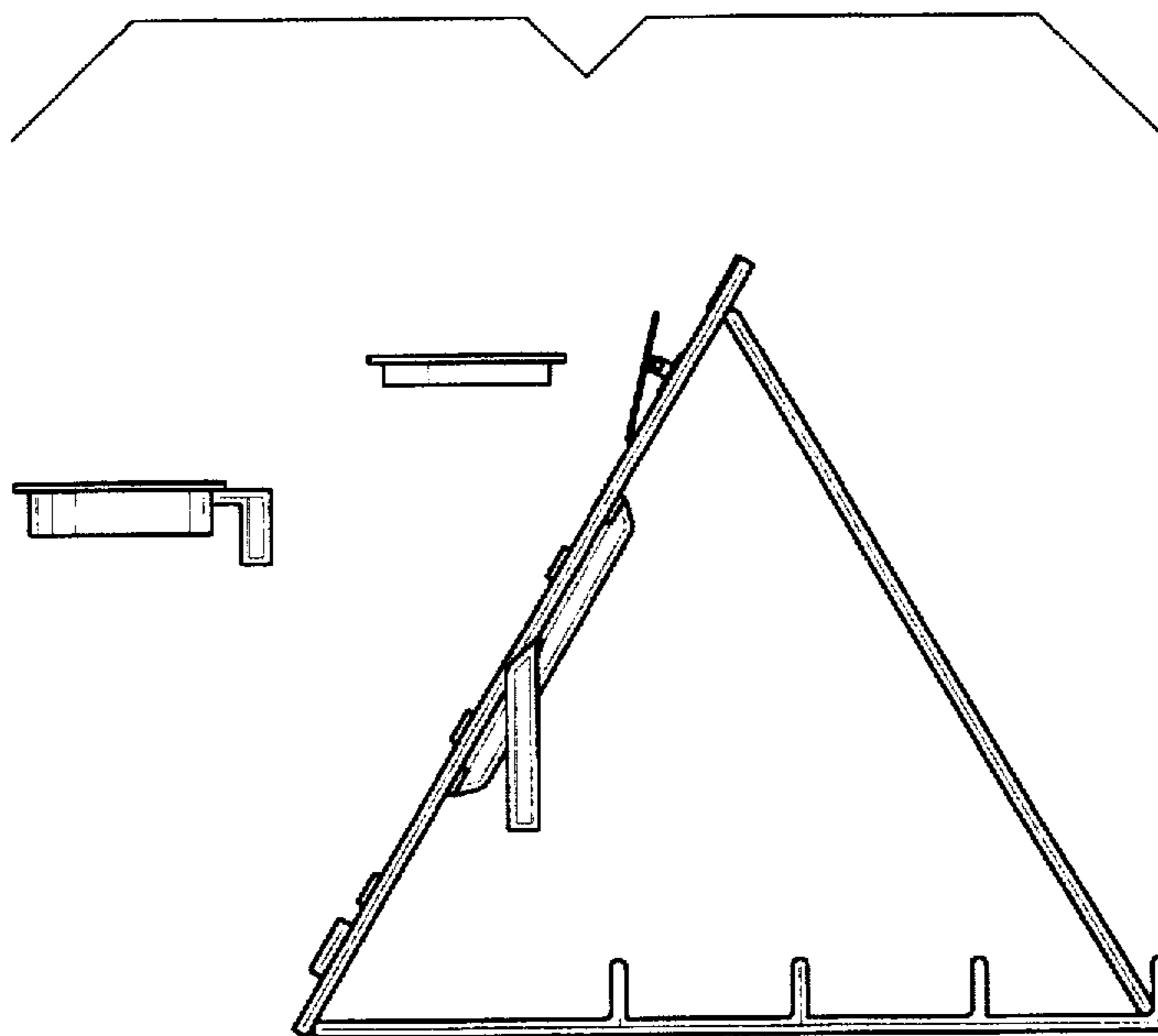


Fig. 4

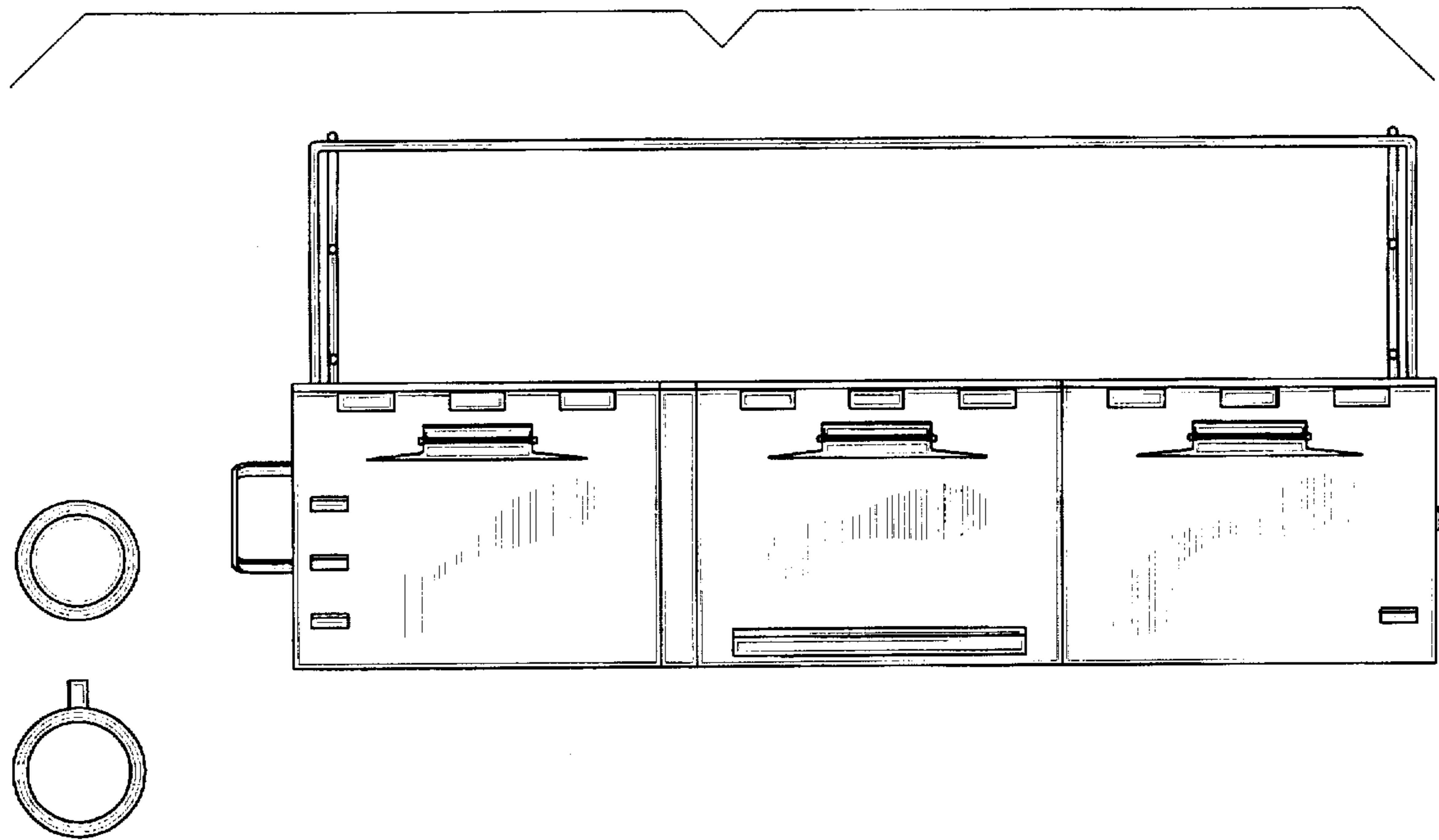


Fig. 5

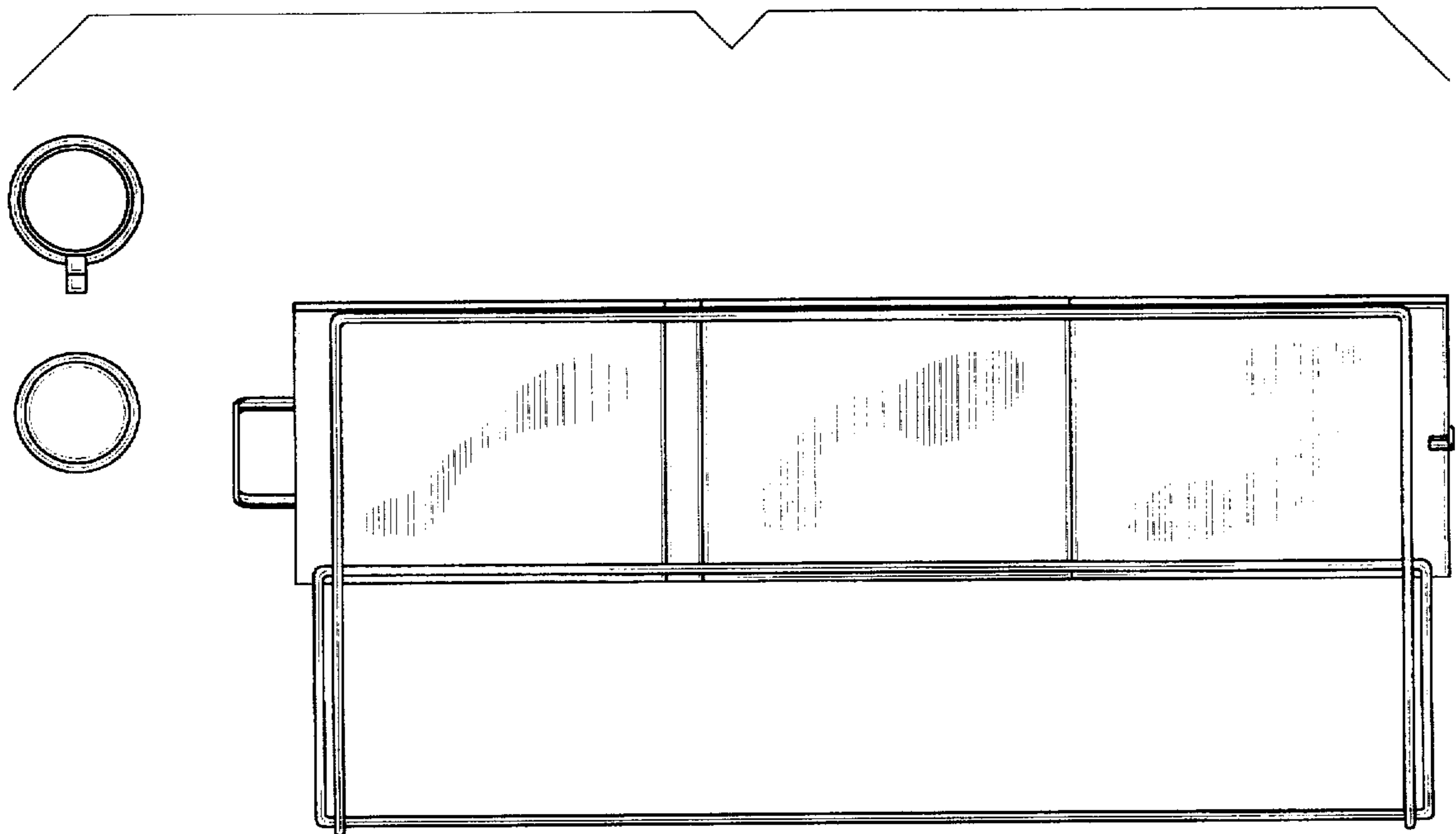


Fig. 6