



US00D394674S

United States Patent [19]

Arnett et al.

[11] Patent Number: **Des. 394,674**

[45] Date of Patent: ****May 26, 1998**

[54] **INFORMATION DISPLAY APPARATUS**

[75] Inventors: **Jaime Ray Arnett**, Fishers; **David Louis Reed**, New Palestine, both of Ind.

[73] Assignee: **Lucent Technologies Inc.**, Murray Hill, N.J.

[**] Term: **14 Years**

[21] Appl. No.: **54,555**

[22] Filed: **May 16, 1996**

[51] LOC (6) Cl. **20-02**

[52] U.S. Cl. **D20/10; D20/42**

[58] Field of Search **D20/10, 12, 19, D20/42, 40, 15; 40/584, 546, 540, 573, 541, 549; 362/811, 812**

[56] **References Cited**

U.S. PATENT DOCUMENTS

D. 119,041	2/1940	MacDonald et al.	D20/42
D. 219,800	1/1971	Novak	D20/10
D. 308,399	6/1990	Mori	D20/10
D. 349,517	8/1994	Neff	D20/42
2,539,654	1/1951	Barnes	40/546 X
2,855,711	10/1958	Bloom	D20/15 X

Primary Examiner—Susan J. Lucas
Assistant Examiner—Jennifer Regester

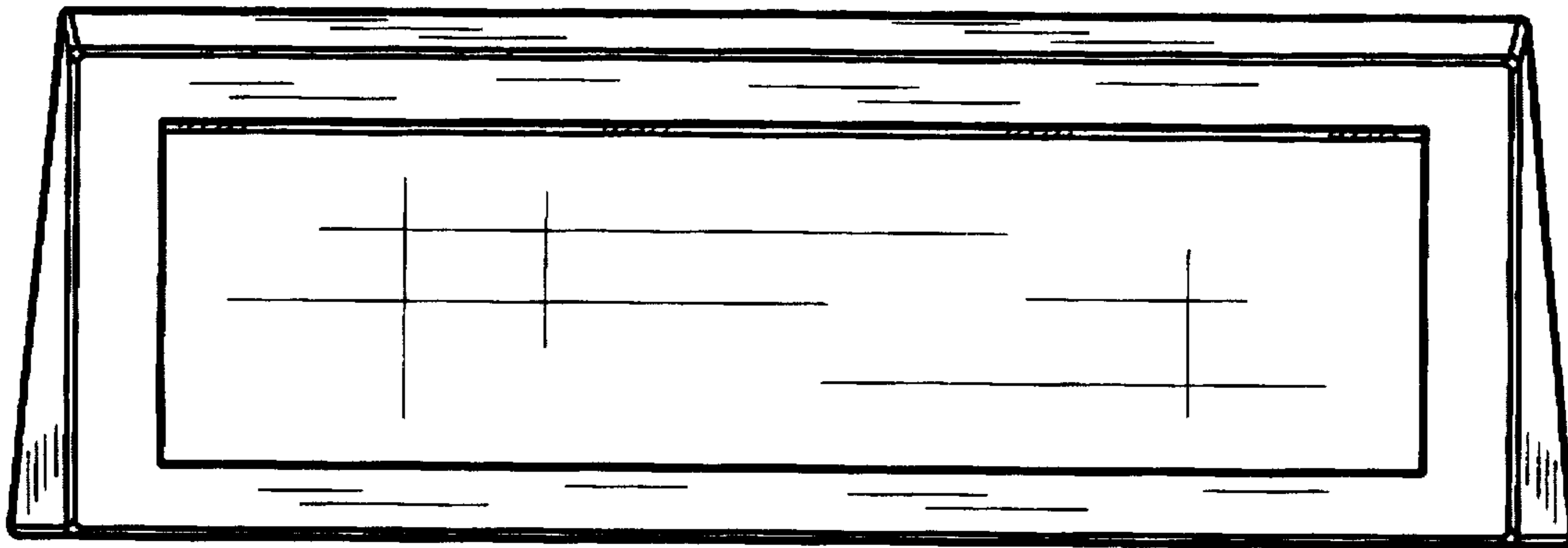
[57] **CLAIM**

The ornamental design for an information display apparatus, as shown and described.

DESCRIPTION

FIG. 1 is a front view of the information display apparatus of the present invention;
 FIG. 2 is a bottom view of the information display apparatus of FIG. 1;
 FIG. 3 is a rear view of the information display apparatus of FIG. 1;
 FIG. 4 is a right side view of the information display apparatus of FIG. 1;
 FIG. 5 is a left side view of the information display apparatus of FIG. 1;
 FIG. 6 is a top view of the information display apparatus of FIG. 1;
 FIG. 7 is a perspective view showing the front, rear, and right side of the information display apparatus of FIG. 1; and,
 FIG. 8 is a perspective view showing the bottom, top, and left side of the information display apparatus of FIG. 1.

1 Claim, 3 Drawing Sheets



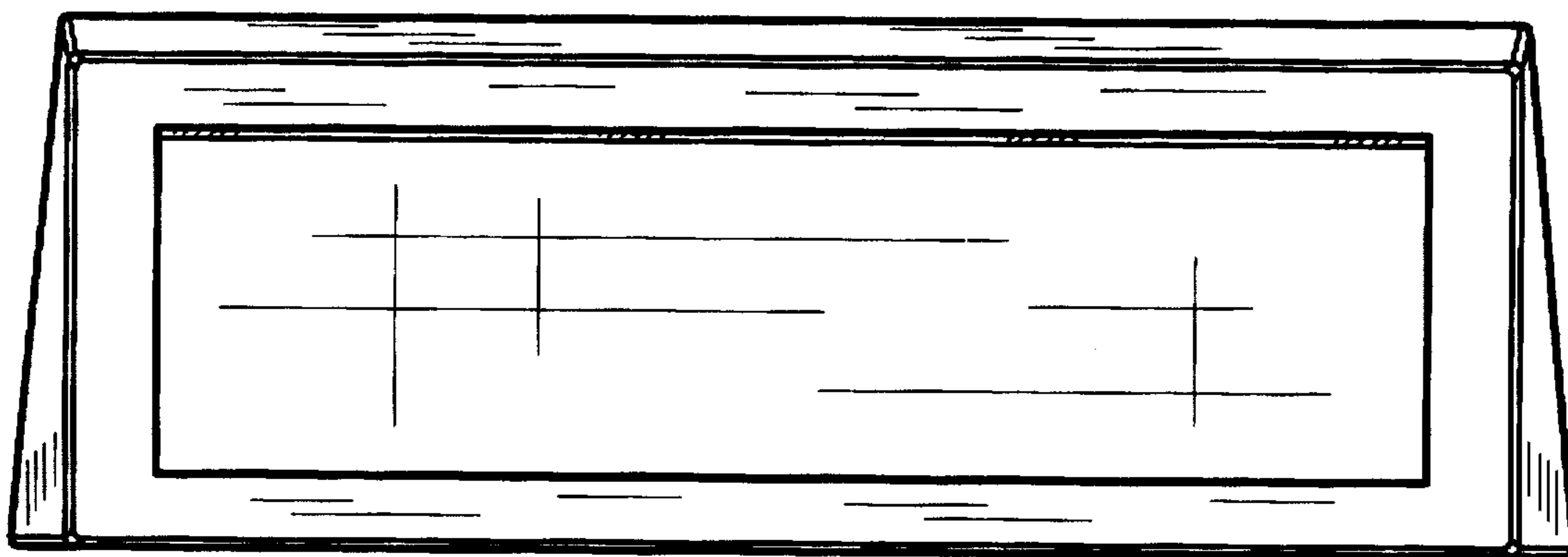


FIG. 1

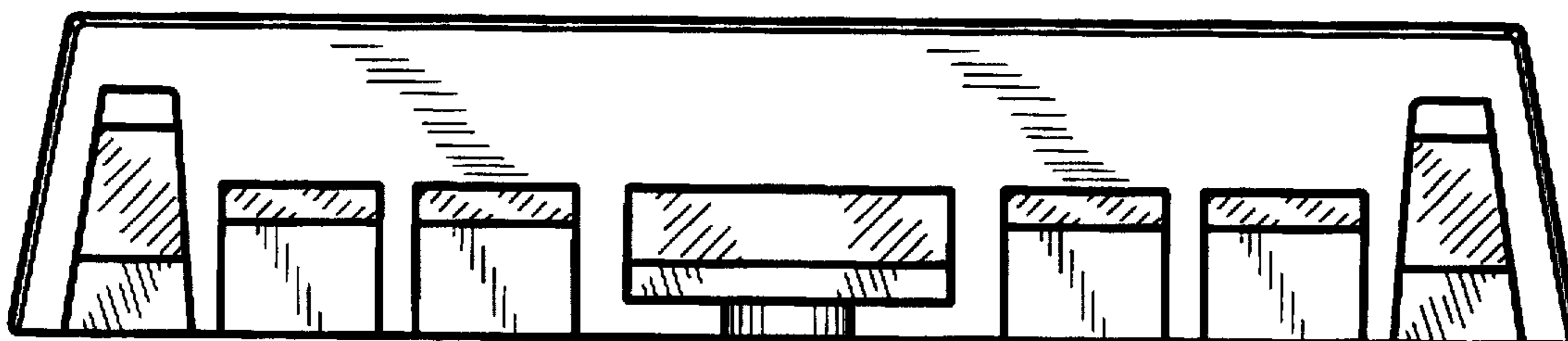


FIG. 2

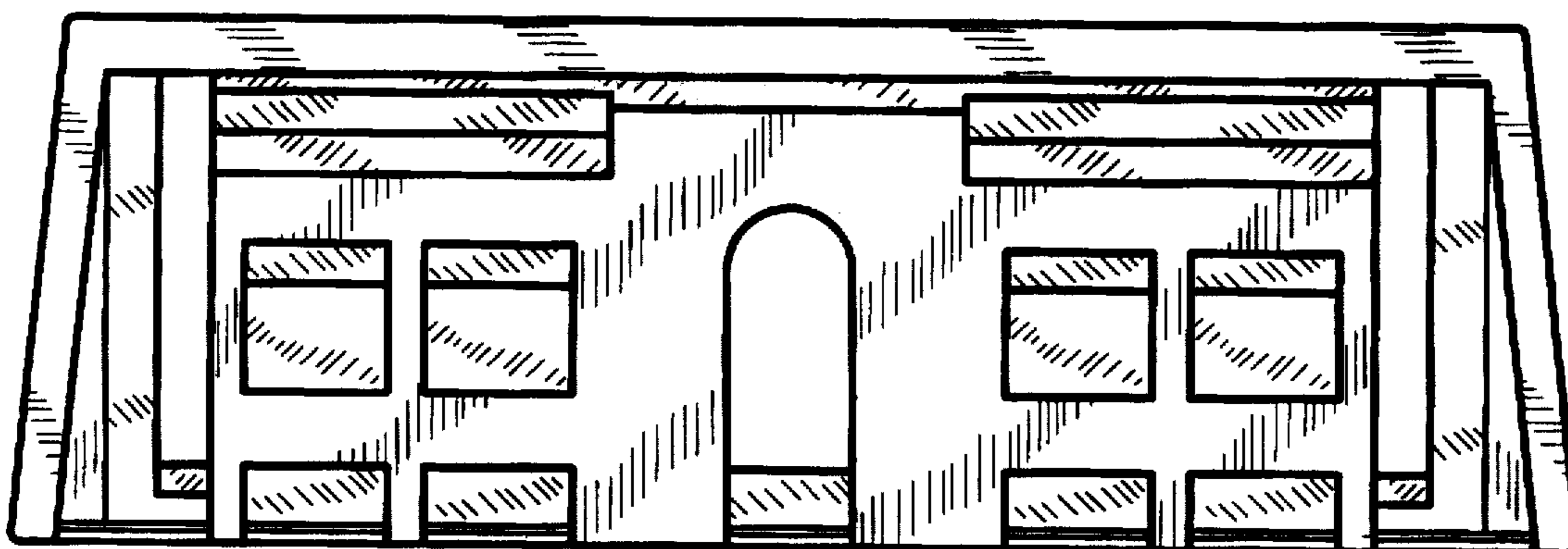


FIG. 3

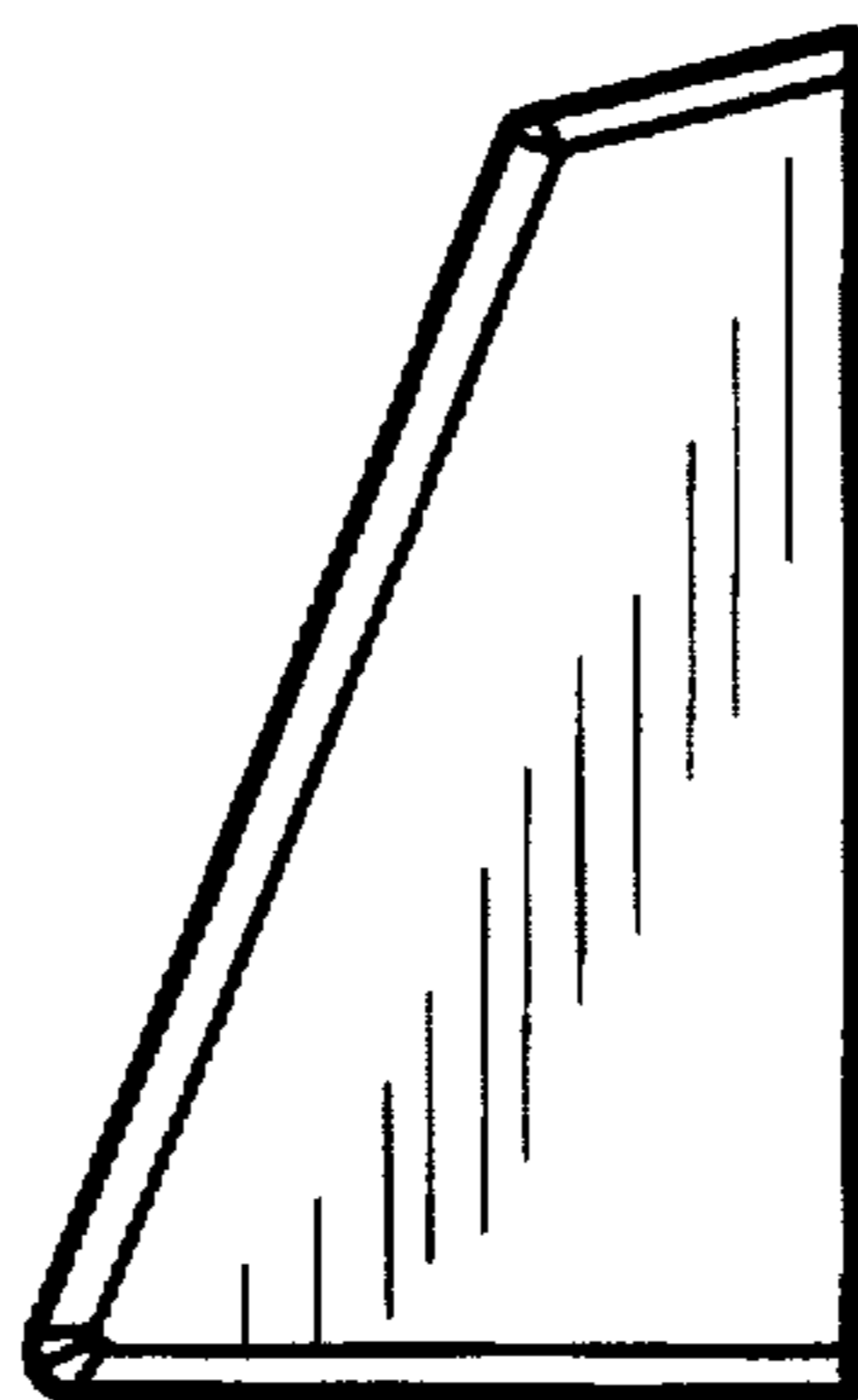


FIG. 4

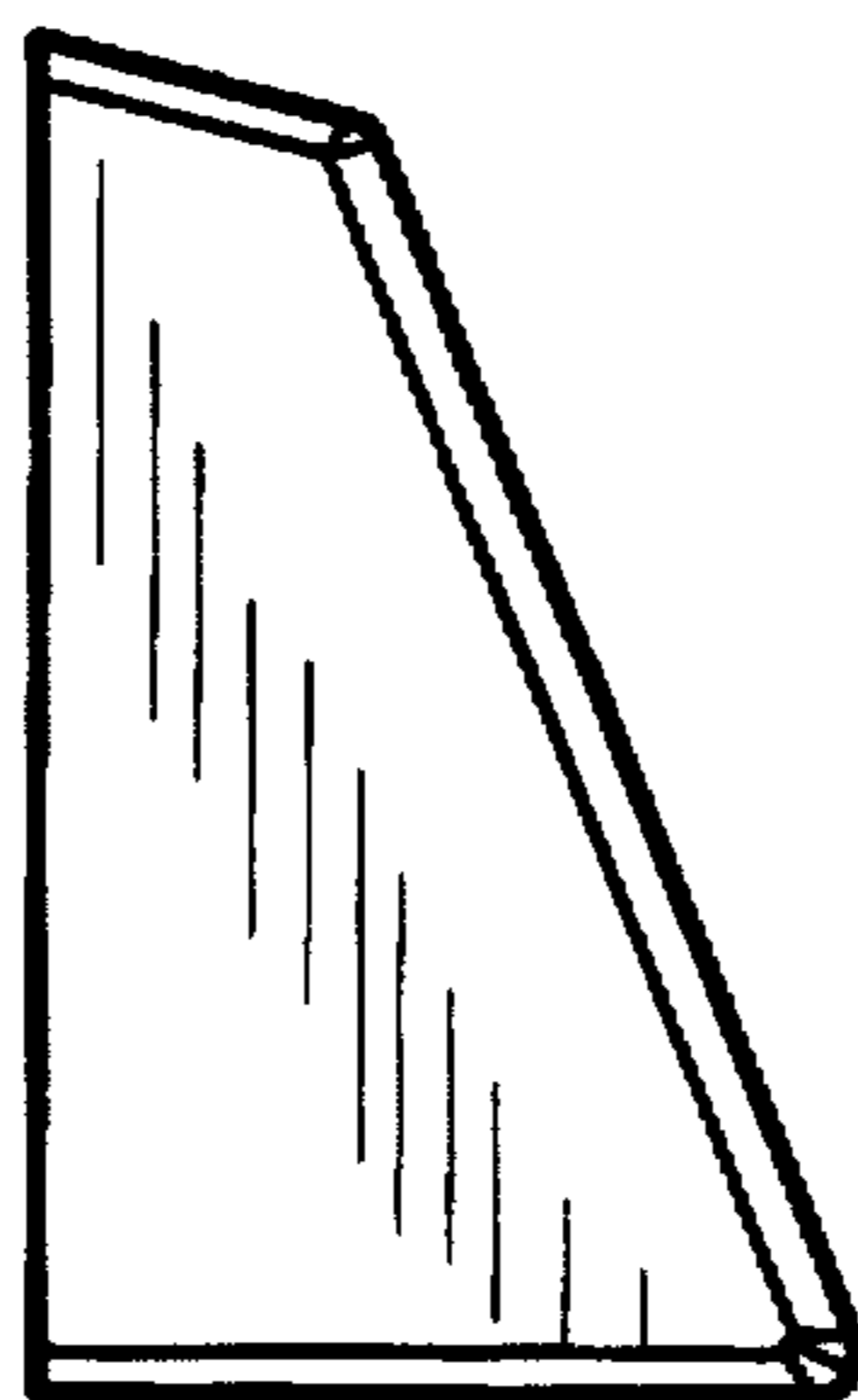


FIG. 5

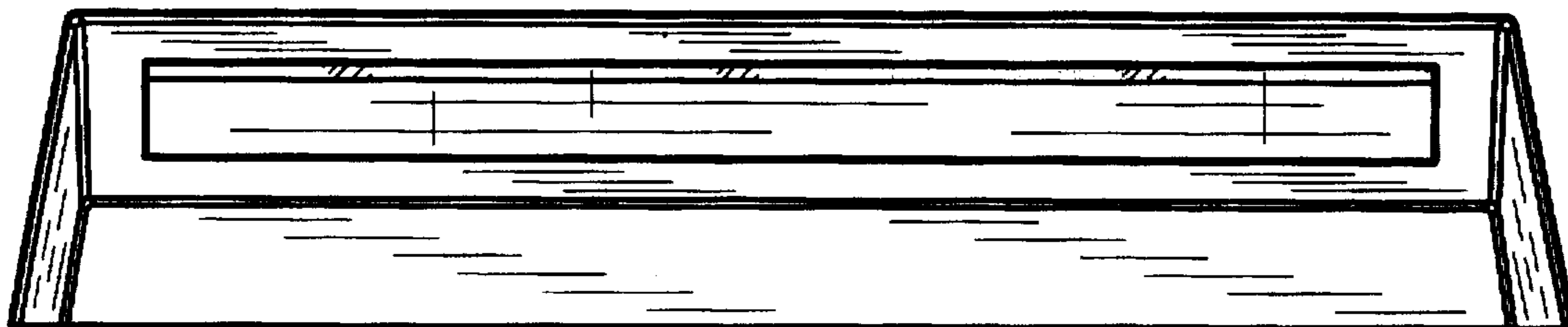


FIG. 6

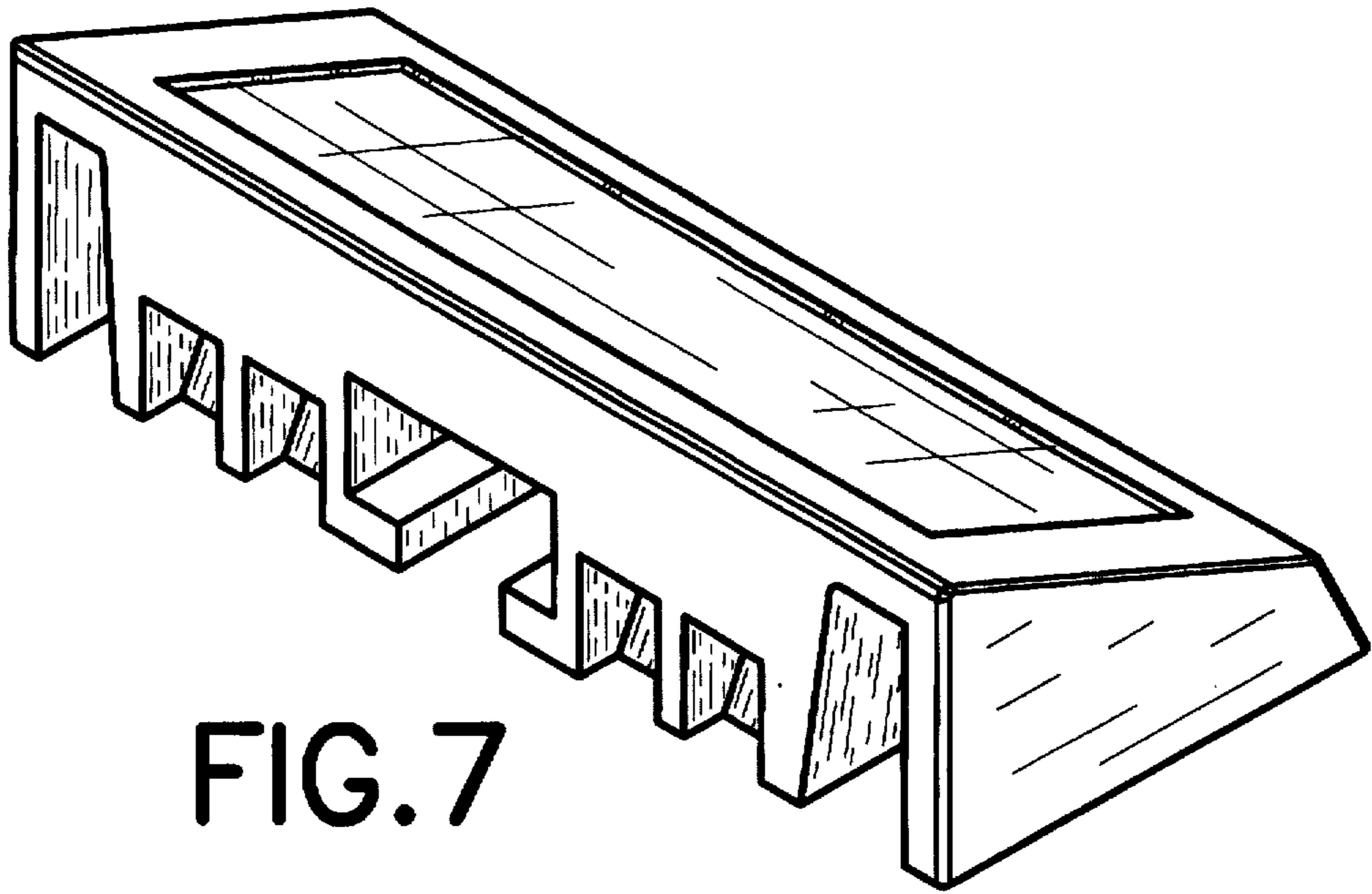


FIG. 7

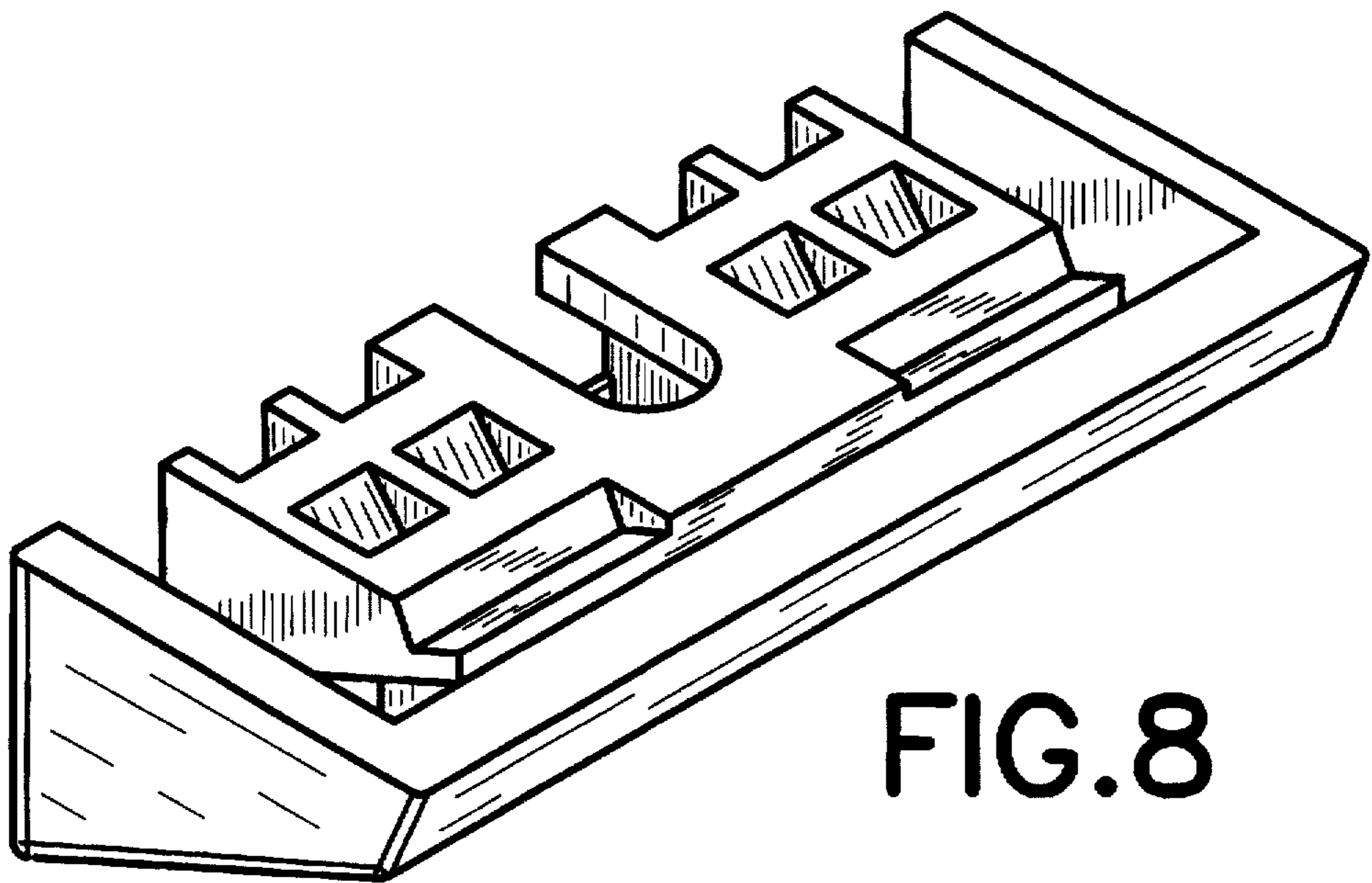


FIG. 8