



US00D394668S

United States Patent [19]
Iino

[11] **Patent Number: Des. 394,668**

[45] **Date of Patent: **May 26, 1998**

[54] **DIGITAL CAMERA FOR ELECTRONIC COMPUTERS**

[75] **Inventor: Masaaki Iino, Saitama-ken, Japan**

[73] **Assignee: Kabushiki Kaisha Toshiba, Kawasaki, Japan**

[**] **Term: 14 Years**

[21] **Appl. No.: 73,114**

[22] **Filed: Jun. 3, 1997**

[51] **LOC (6) Cl. 16-01**

[52] **U.S. Cl. D16/202**

[58] **Field of Search D16/200-206,
D16/208; 348/14-20, 373-376; 296/25-29,
428, 429, 535-543; 248/161, 278.1, 918;
358/906**

[56] **References Cited**

U.S. PATENT DOCUMENTS

D. 296,551	7/1988	Mizogui	D16/202
D. 357,929	5/1995	Pierce	D16/202
D. 364,388	11/1995	Miyahara	D16/202
D. 365,834	1/1996	Dozier	D16/203
D. 383,475	9/1997	Yamauchi et al.	D16/202
3,531,197	9/1970	King	396/428

FOREIGN PATENT DOCUMENTS

4135671	5/1993	Germany	H04N 5/225
---------	--------	---------	-------	------------

Primary Examiner—Philip S. Hyder
Assistant Examiner—Adir Aronovich
Attorney, Agent, or Firm—Banner & Witcoff, Ltd.

[57] **CLAIM**

The ornamental design for a digital camera for electronic computers, as shown and described.

DESCRIPTION

FIG. 1 is a top, front and right side perspective view of a digital camera for electronic computers showing my new design;

FIG. 2 is a front elevational view thereof;

FIG. 3 is a top plan view thereof;

FIG. 4 is a rear elevational view thereof;

FIG. 5 is a left side elevational view thereof;

FIG. 6 is a right side elevational view thereof;

FIG. 7 is a bottom plan view thereof;

FIG. 8 is a top, front and right side perspective view showing the article in use; and,

FIG. 9 is a top, front and right side perspective view showing the article in use in a moved position.

The broken line showing of a fragmentary computer in FIGS. 8 and 9 is for illustrative purposes only and forms no part of the claimed design.

1 Claim, 3 Drawing Sheets

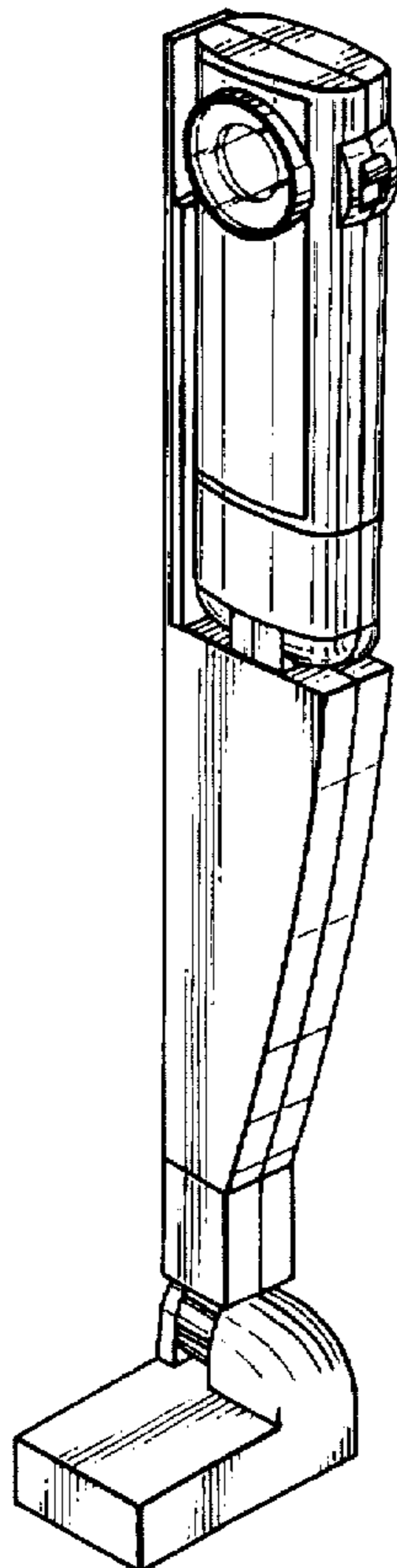


FIG. 1

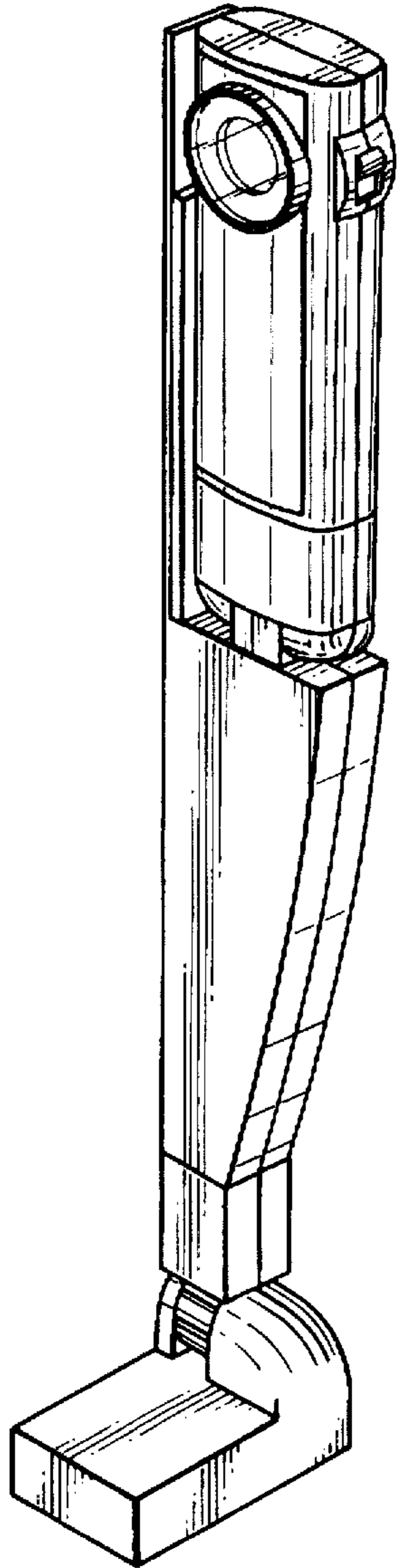


FIG. 2

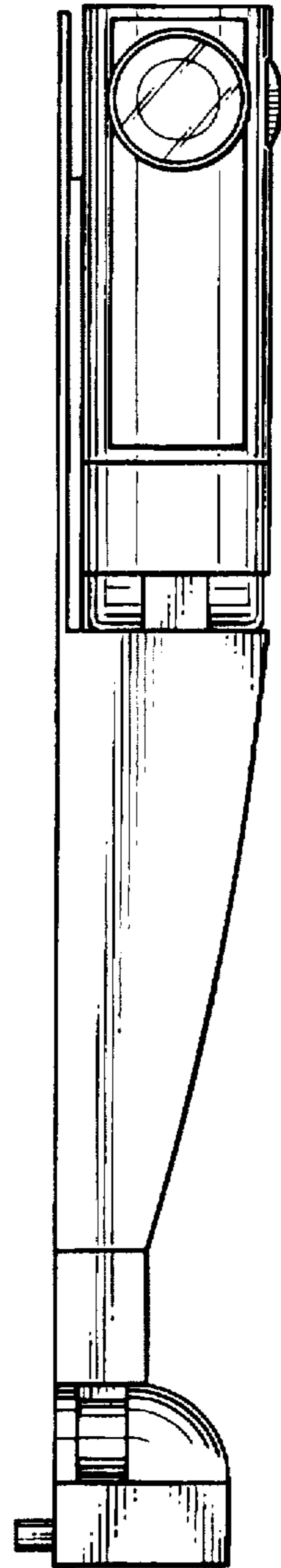


FIG. 3

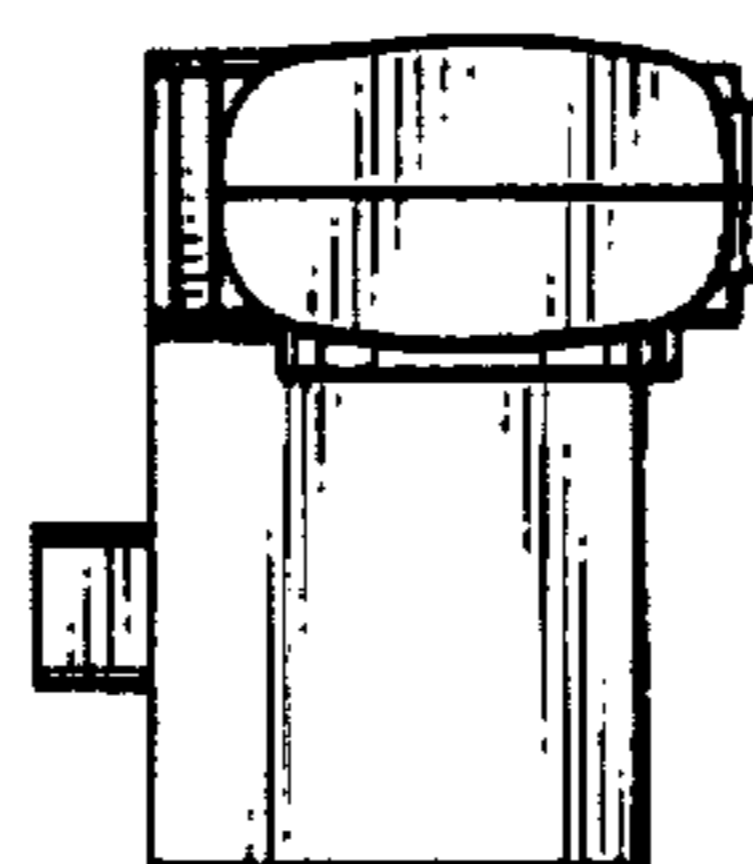


FIG. 4

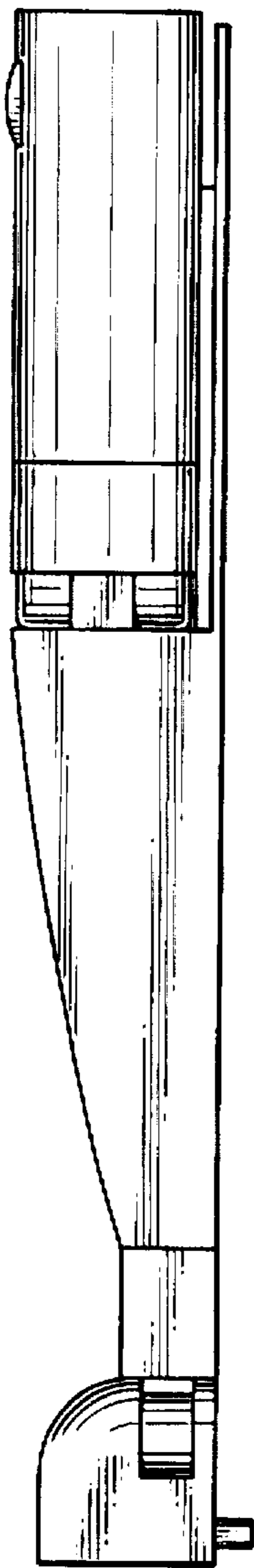


FIG. 5

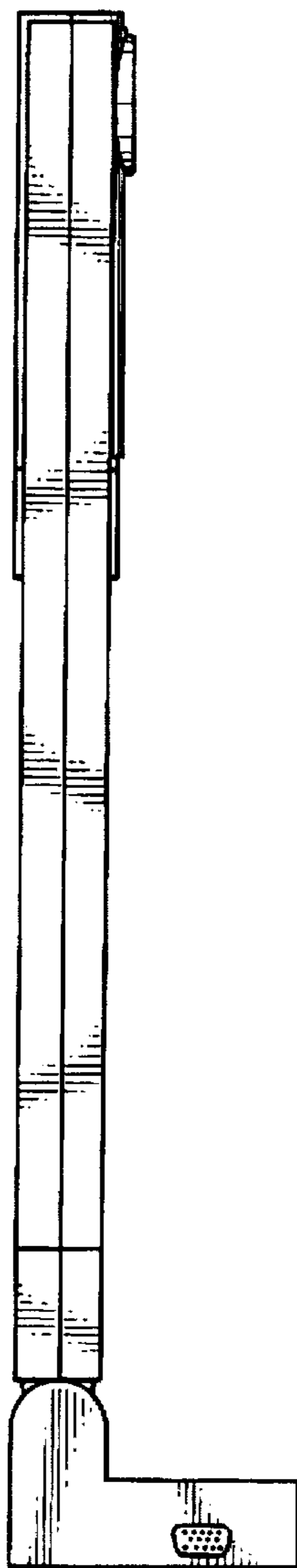


FIG. 6

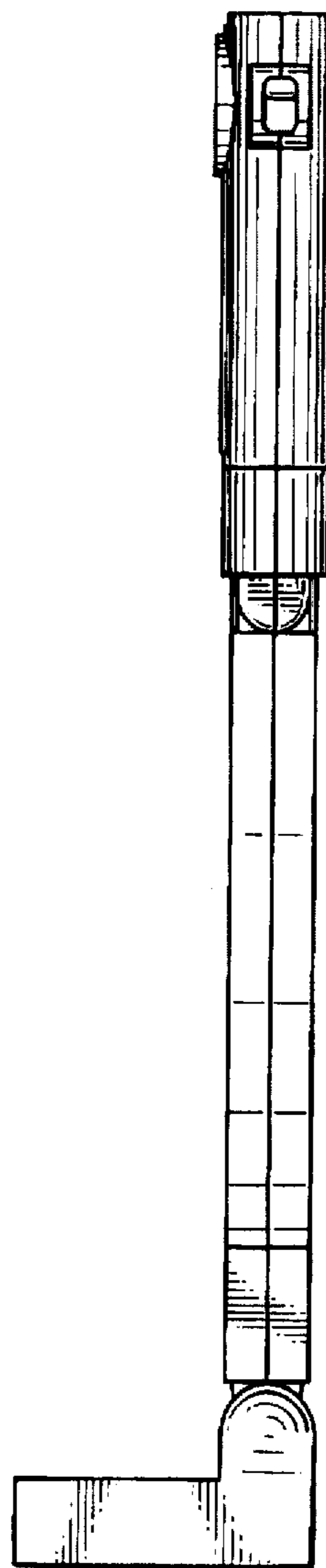


FIG. 7

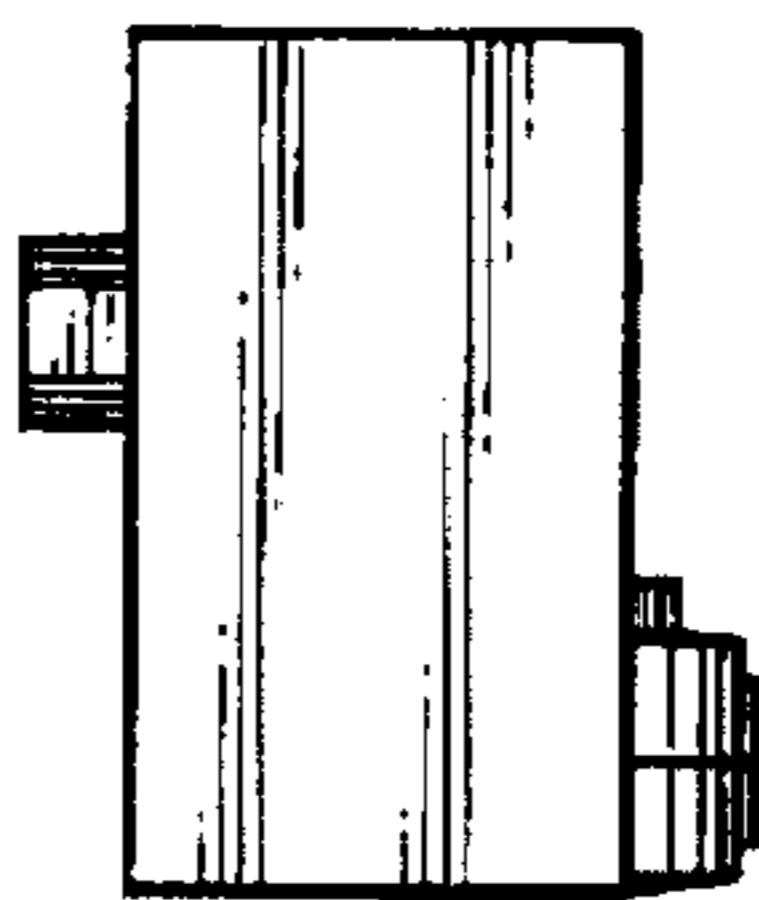


FIG. 8

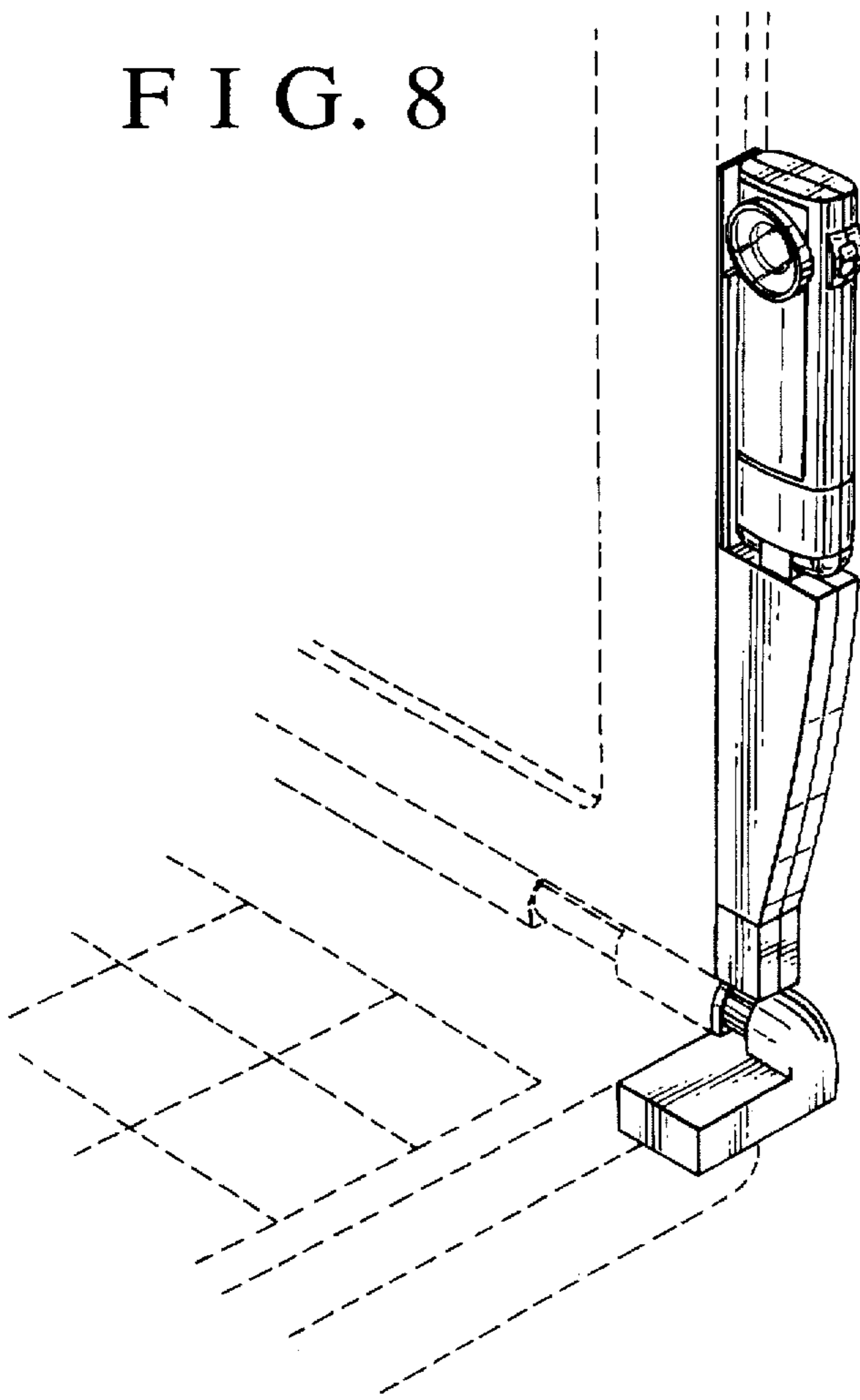
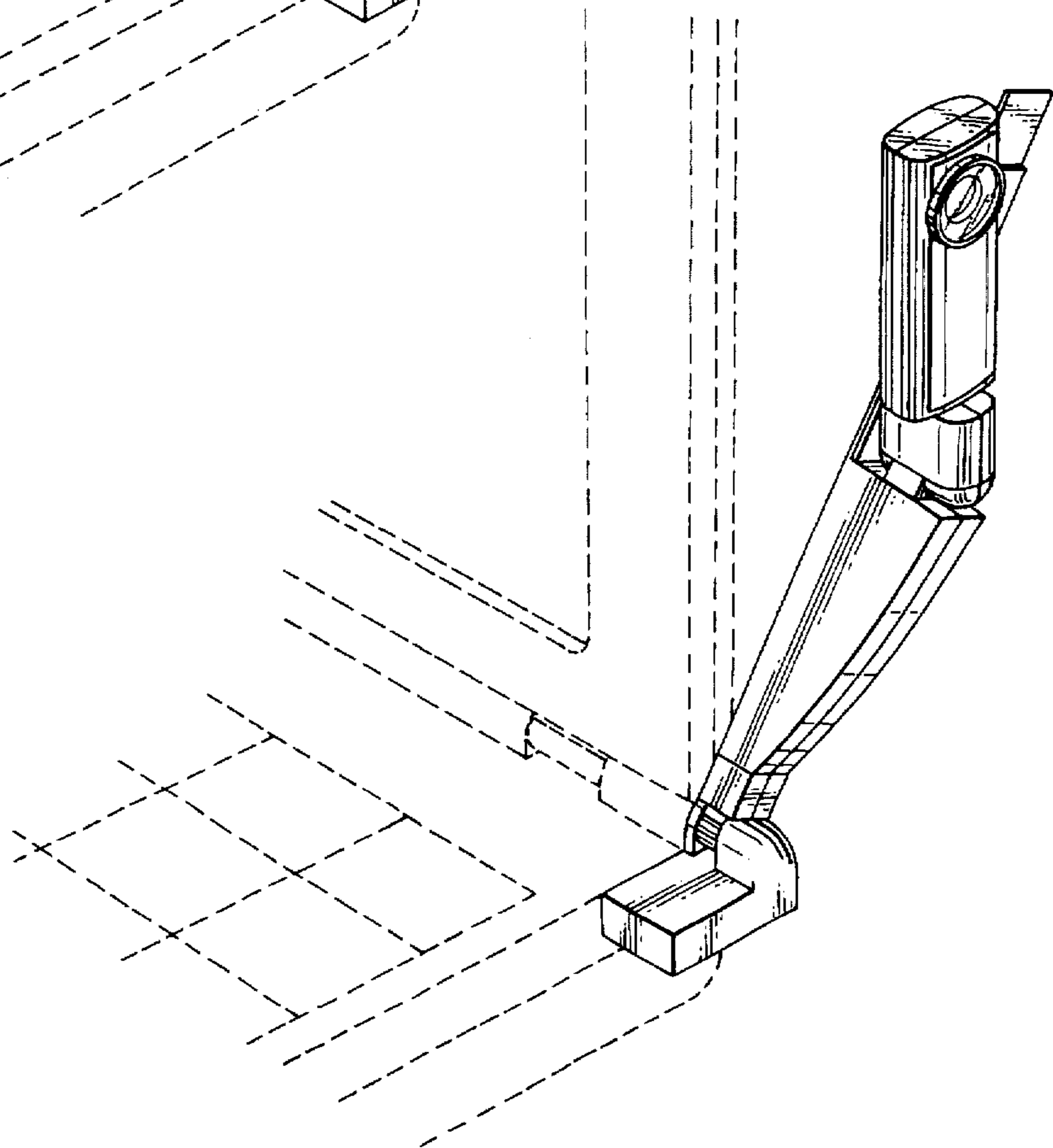


FIG. 9



UNITED STATES PATENT AND TRADEMARK OFFICE
CERTIFICATE OF CORRECTION

PATENT NO.: Des. 394,668
DATED: May 26, 1998
INVENTOR(S): Masaaki IINO

It is certified that an error appears in the above-identified patent and that said Letters Patent is hereby corrected as shown below:

On the title page item [22],
Delete application filing date of "Jun. 3, 1997" and insert --Jun. 30, 1997--.

Under Foreign Patent Documents add the following:

--3821/1997 2/13/97 Japan--

Signed and Sealed this
Thirteenth Day of October 1998

Attest:



BRUCE LEHMAN

Attesting Officer

Commissioner of Patents and Trademarks