



US00D394667S

# United States Patent [19]

Romano

[11] Patent Number: Des. 394,667

[45] Date of Patent: \*\*May 26, 1998

[54] COUNTERFEIT DETECTION VIEWER FOR PAPER CURRENCY

4,863,241 9/1989 Heun ..... 359/803

Primary Examiner—Paula A. Mortimer

[76] Inventor: Camille Romano, 7436 SW. 117th Ave., Suite 208, Miami, Fla. 33183

[57] CLAIM

[\*\*] Term: 14 Years

The ornamental design for a counterfeit detection viewer apparatus for paper currency, as shown and described.

[21] Appl. No.: 64,213

### DESCRIPTION

[22] Filed: Dec. 24, 1996

FIG. 1 is a front perspective view of a counterfeit detection viewer for paper currency showing my new design;

[51] LOC (6) Cl. .... 16-06

FIG. 2 is a rear elevational view thereof;

[52] U.S. Cl. .... D16/135; D16/130

FIG. 3 is a right side elevational view thereof, the opposite side is a mirror image;

[58] Field of Search ..... D16/130, 131, D16/135; 359/368, 803, 804

FIG. 4 is a top plan view thereof;

FIG. 5 is a bottom plan view thereof;

### [56] References Cited

#### U.S. PATENT DOCUMENTS

D. 127,030	5/1941	Betcher	.....	D16/135
D. 143,744	2/1946	Miles	.....	D16/135
D. 171,806	3/1954	Macaluso, Jr.	.....	D16/135
D. 172,630	7/1954	Macaluso, Jr.	.....	D16/131
2,083,600	6/1937	Gubisch	.....	D16/135 X
3,551,021	12/1970	Straat	.....	359/368
4,099,851	7/1978	Rethore	.....	D16/135 X
4,763,986	8/1988	Sego	.....	D16/135 X

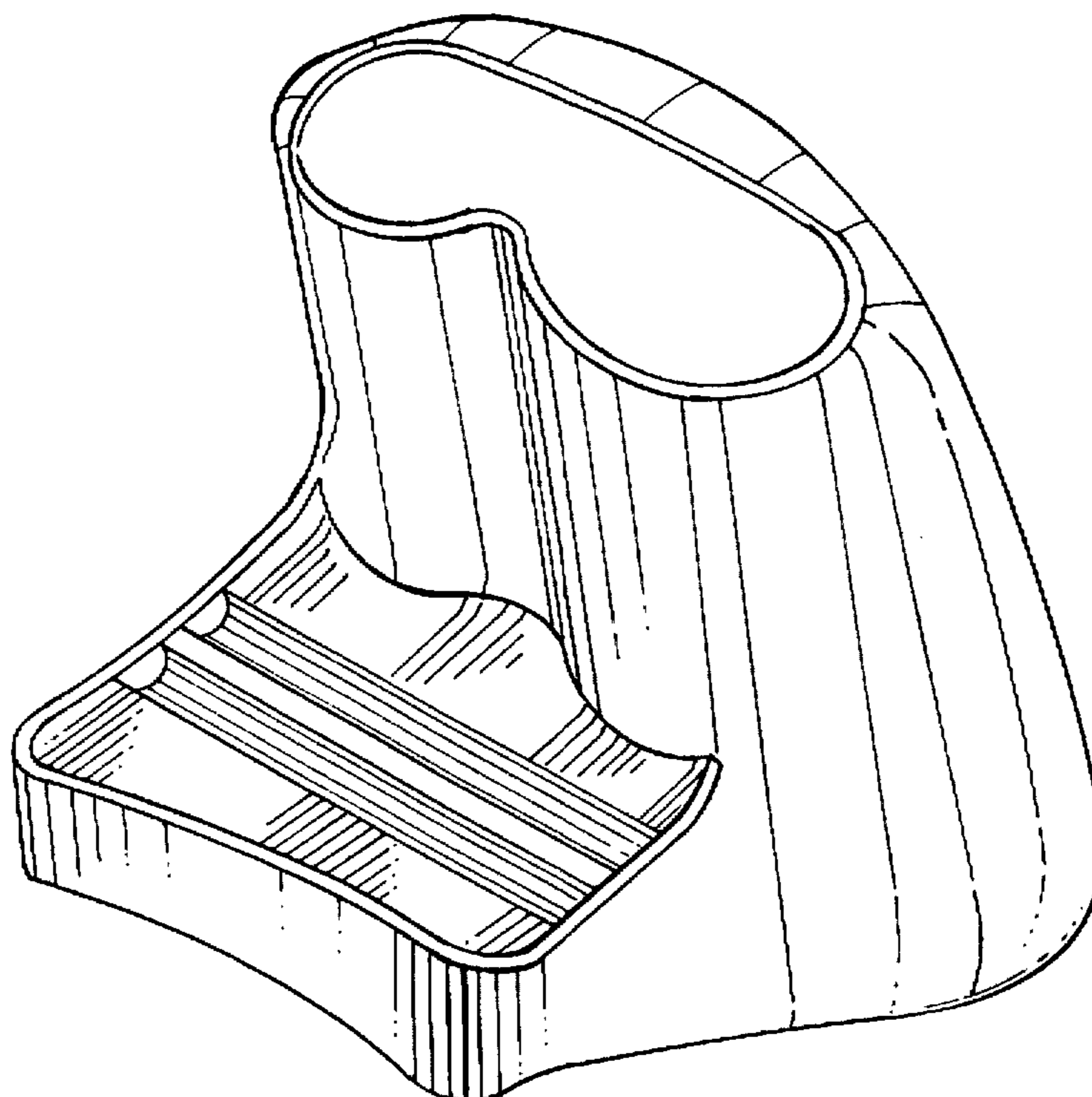
FIG. 6 is a side perspective view of a second embodiment of a counterfeit detection view for paper currency showing my new design;

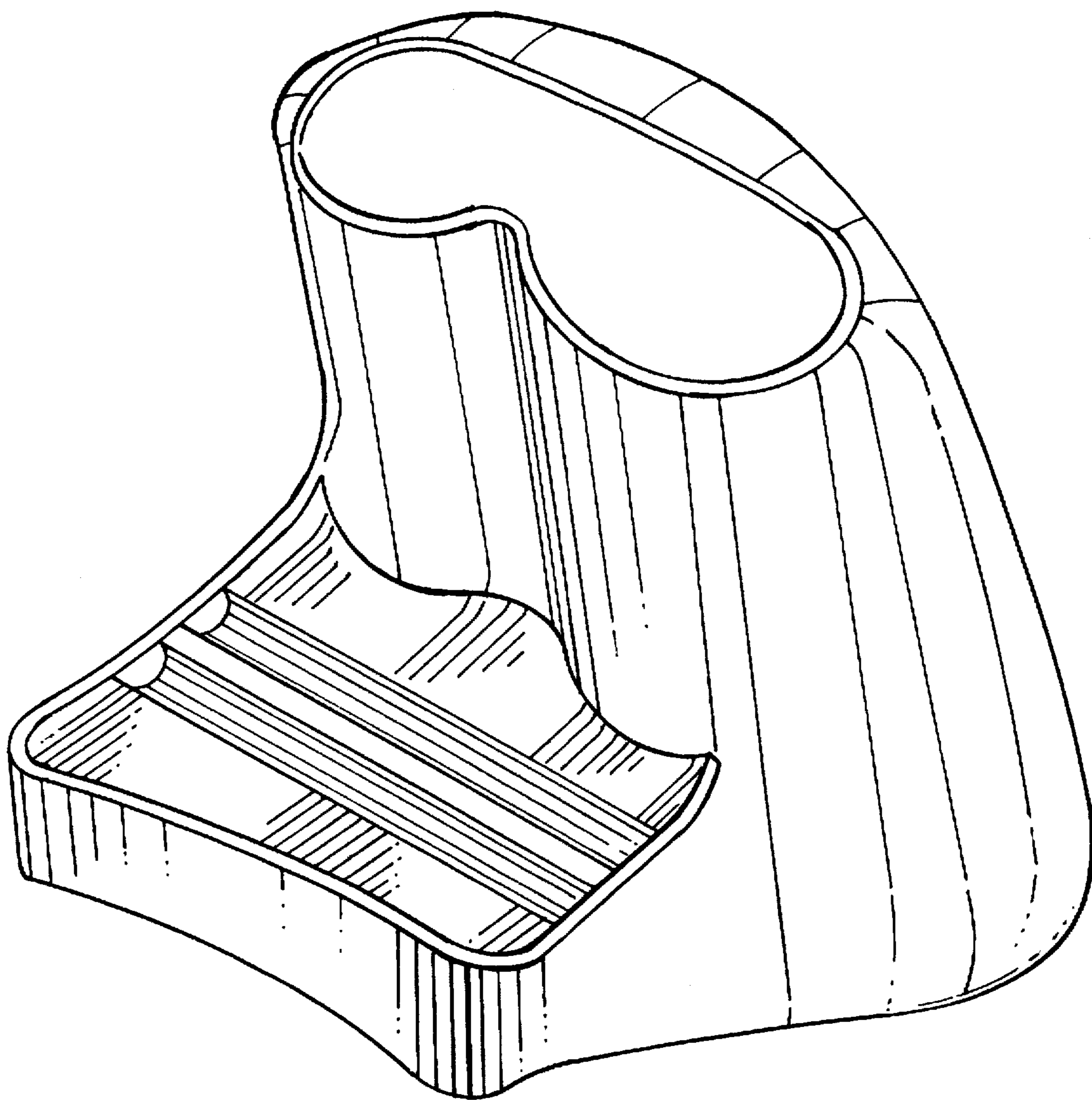
FIG. 7 is a perspective view of a third embodiment of a counterfeit detection view for paper currency showing my new design;

FIG. 8 is a bottom plan view of FIG. 6; and,

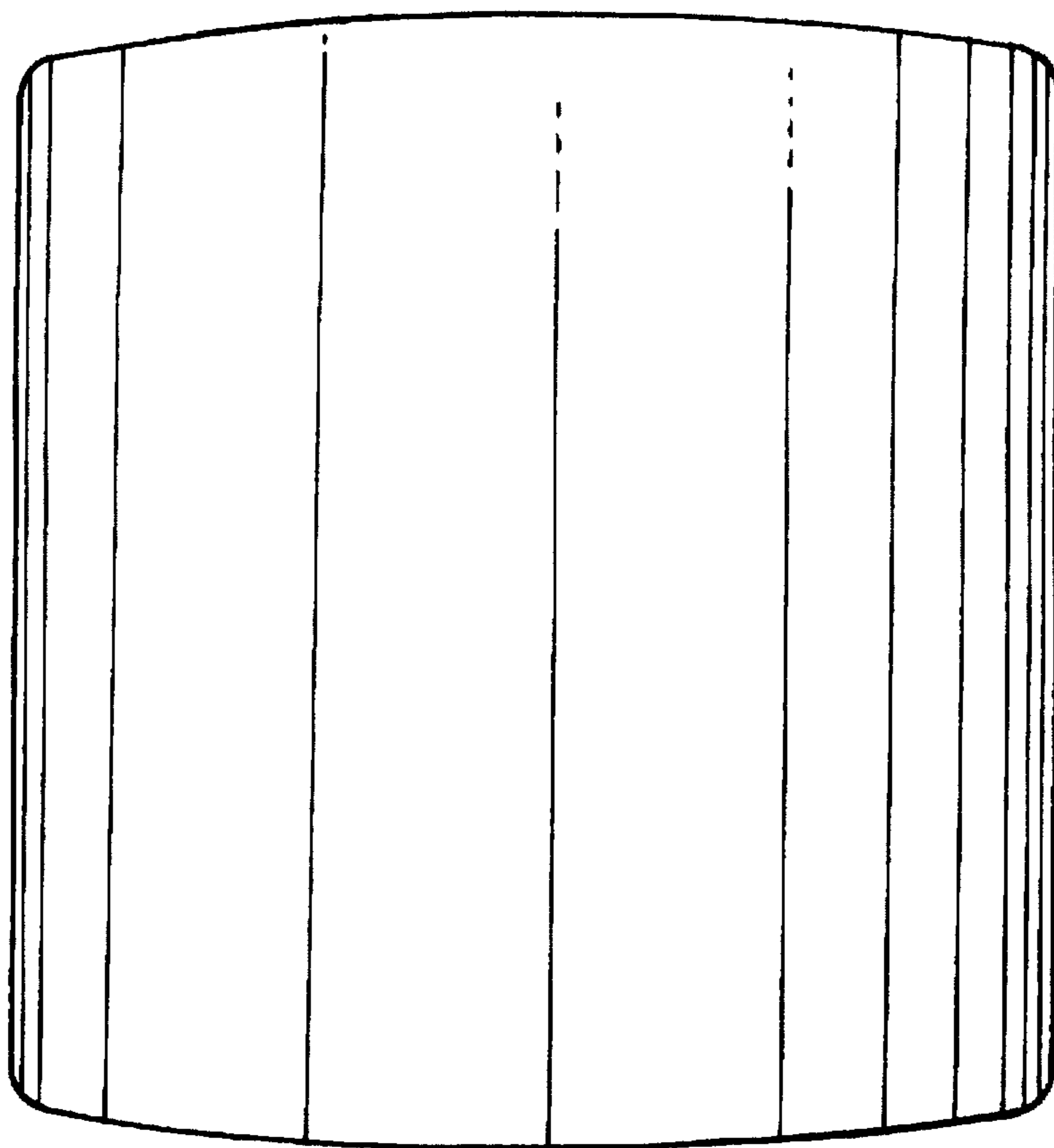
FIG. 9 is a bottom plan view of FIG. 7.

1 Claim, 6 Drawing Sheets

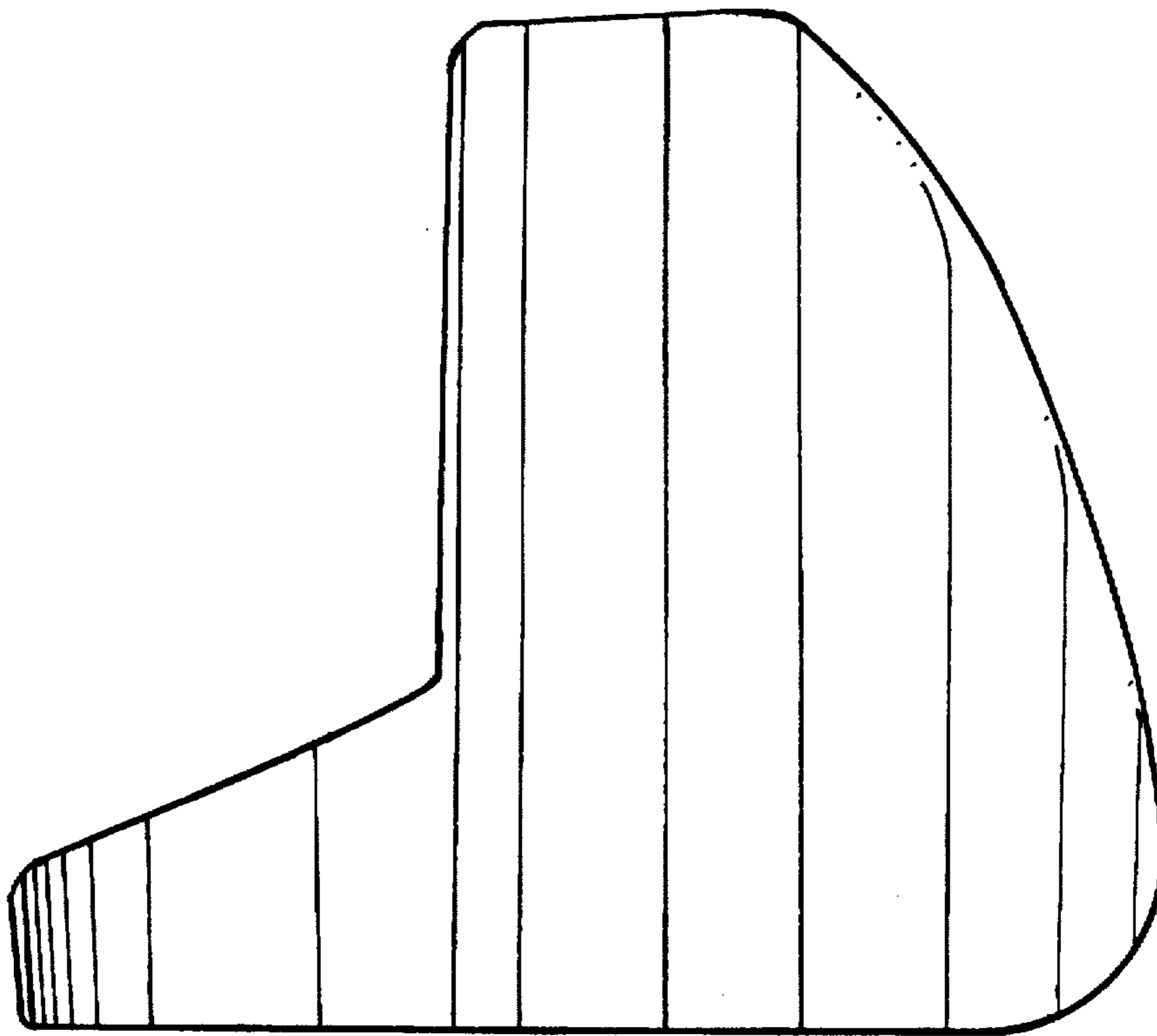




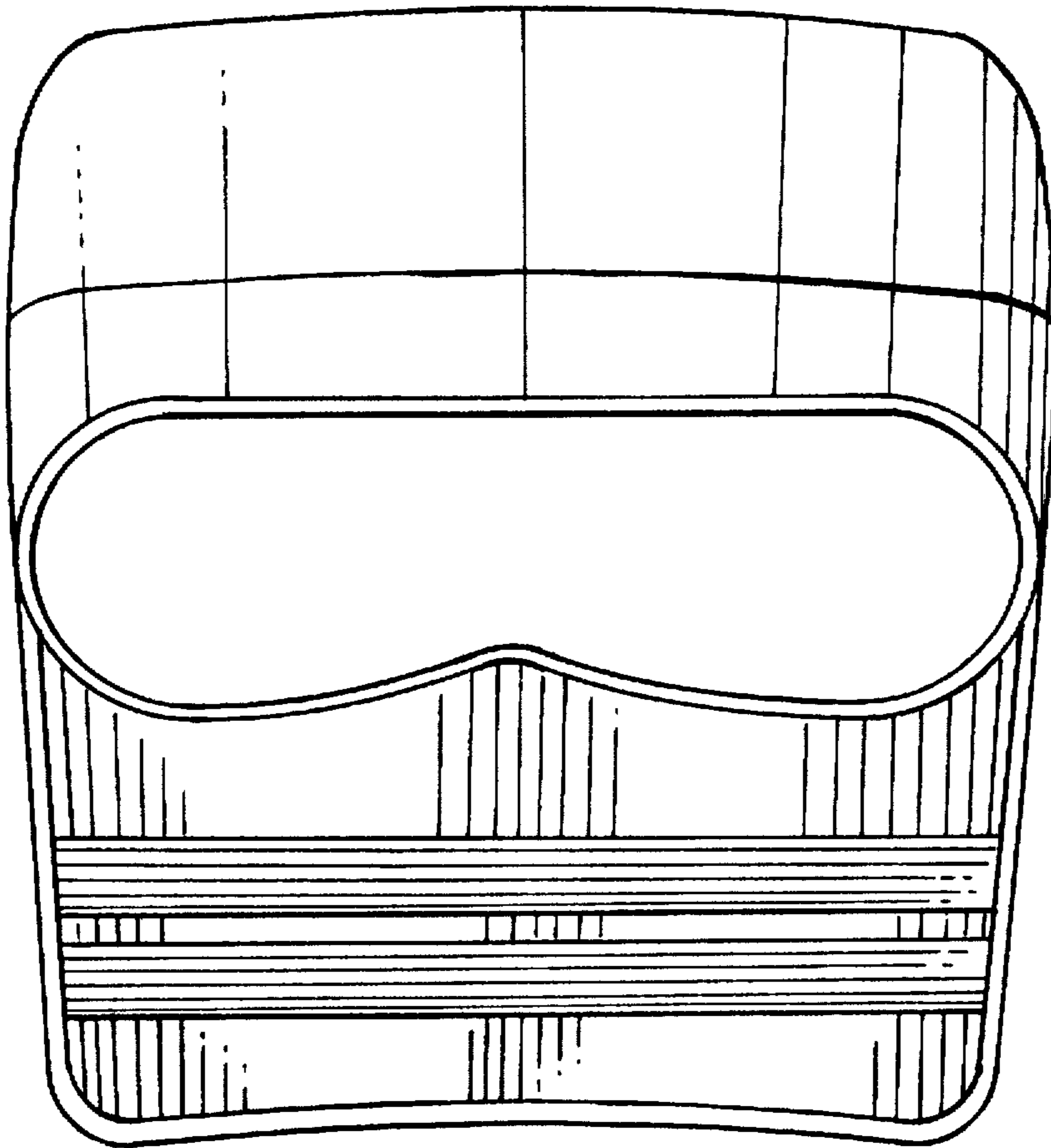
**FIG. 1**



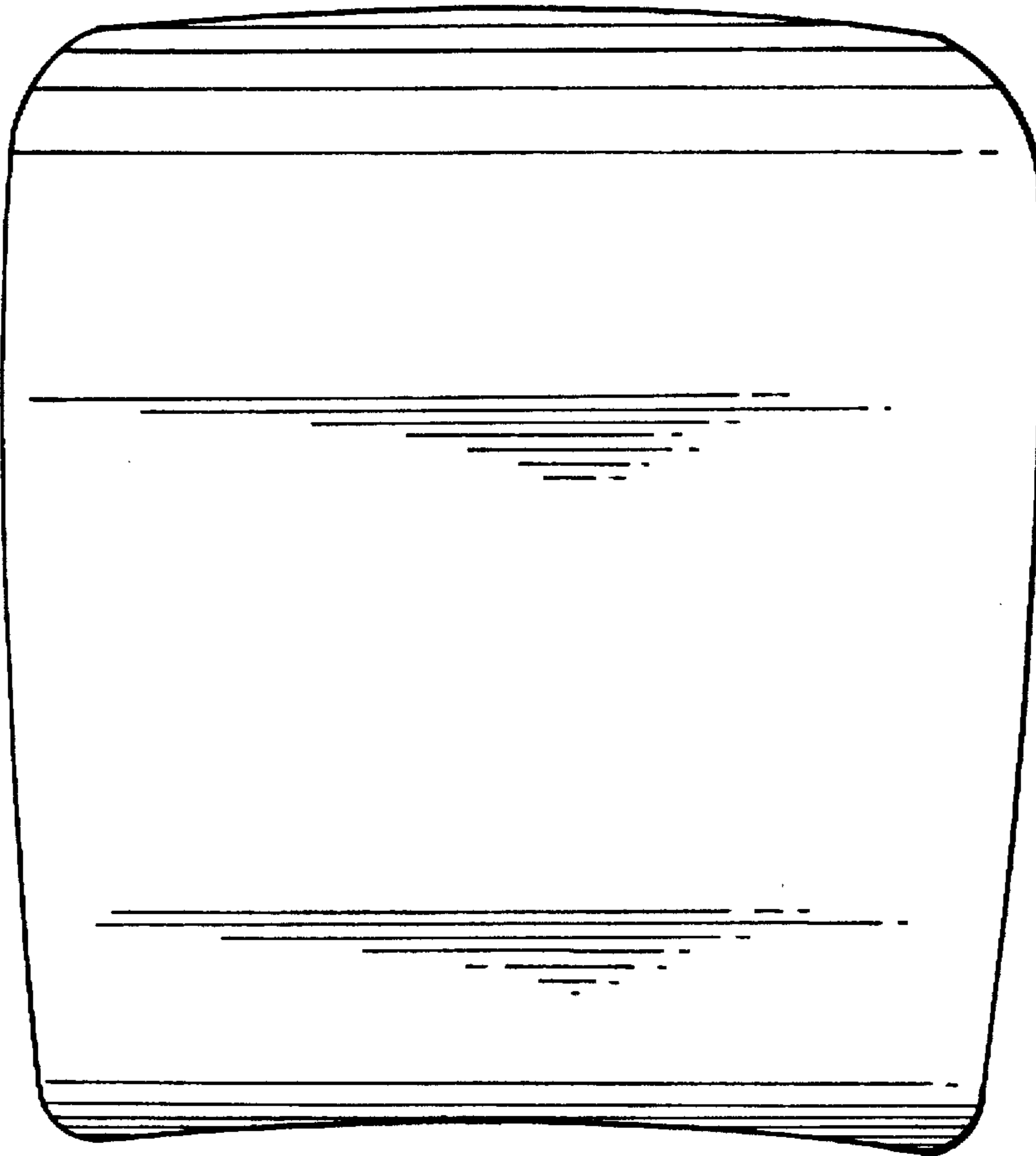
**FIG. 2**



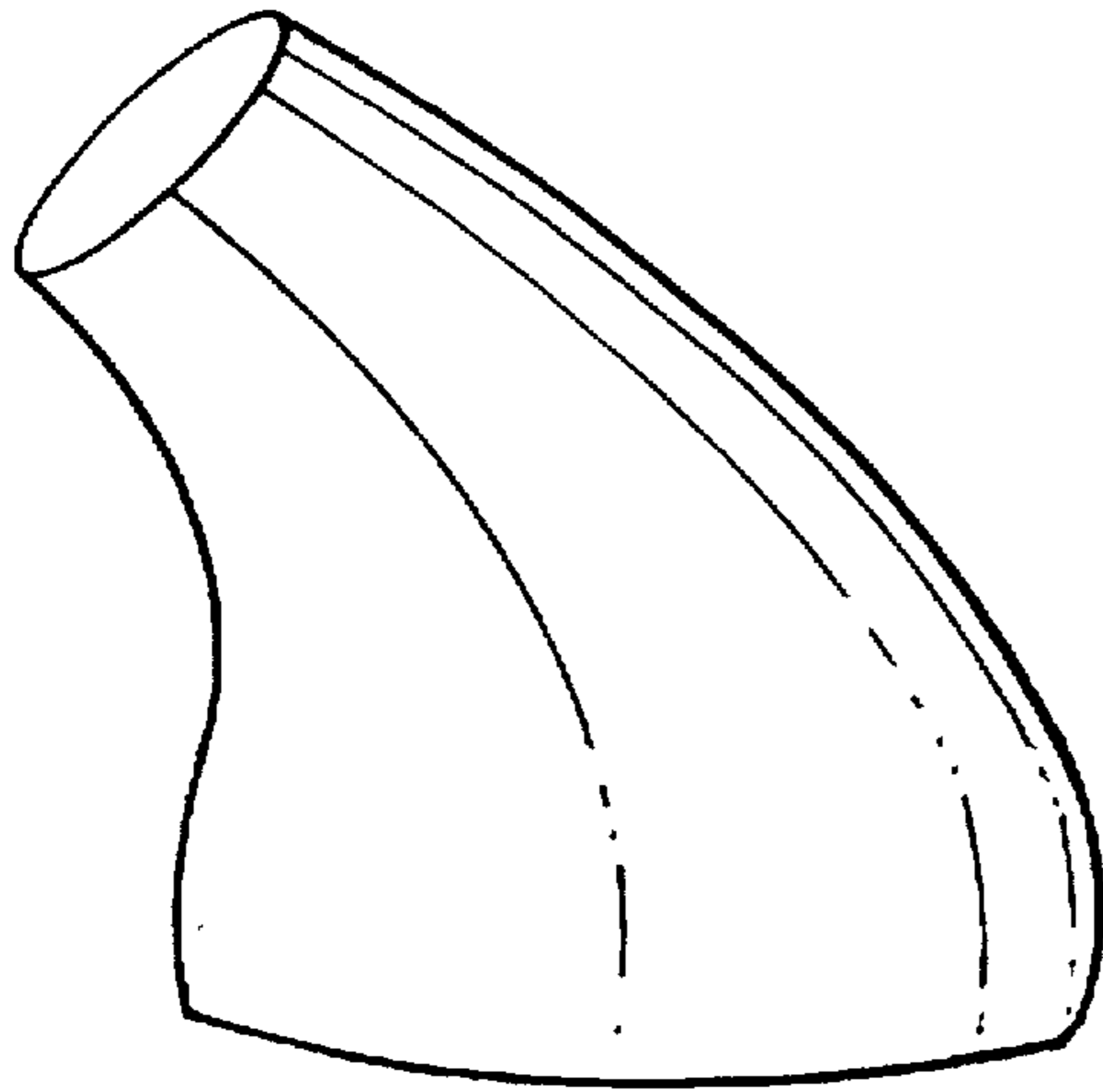
**FIG. 3**



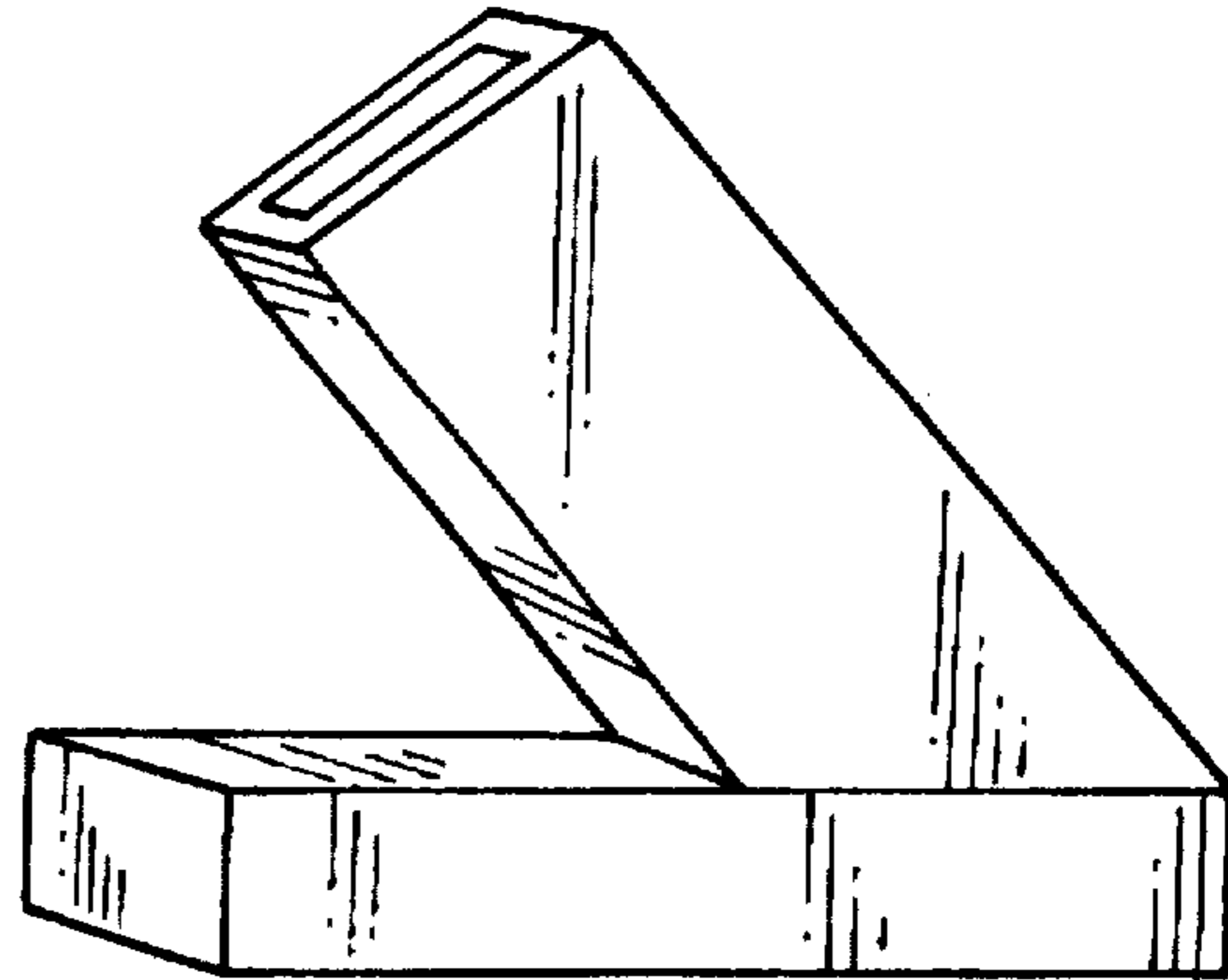
**FIG. 4**



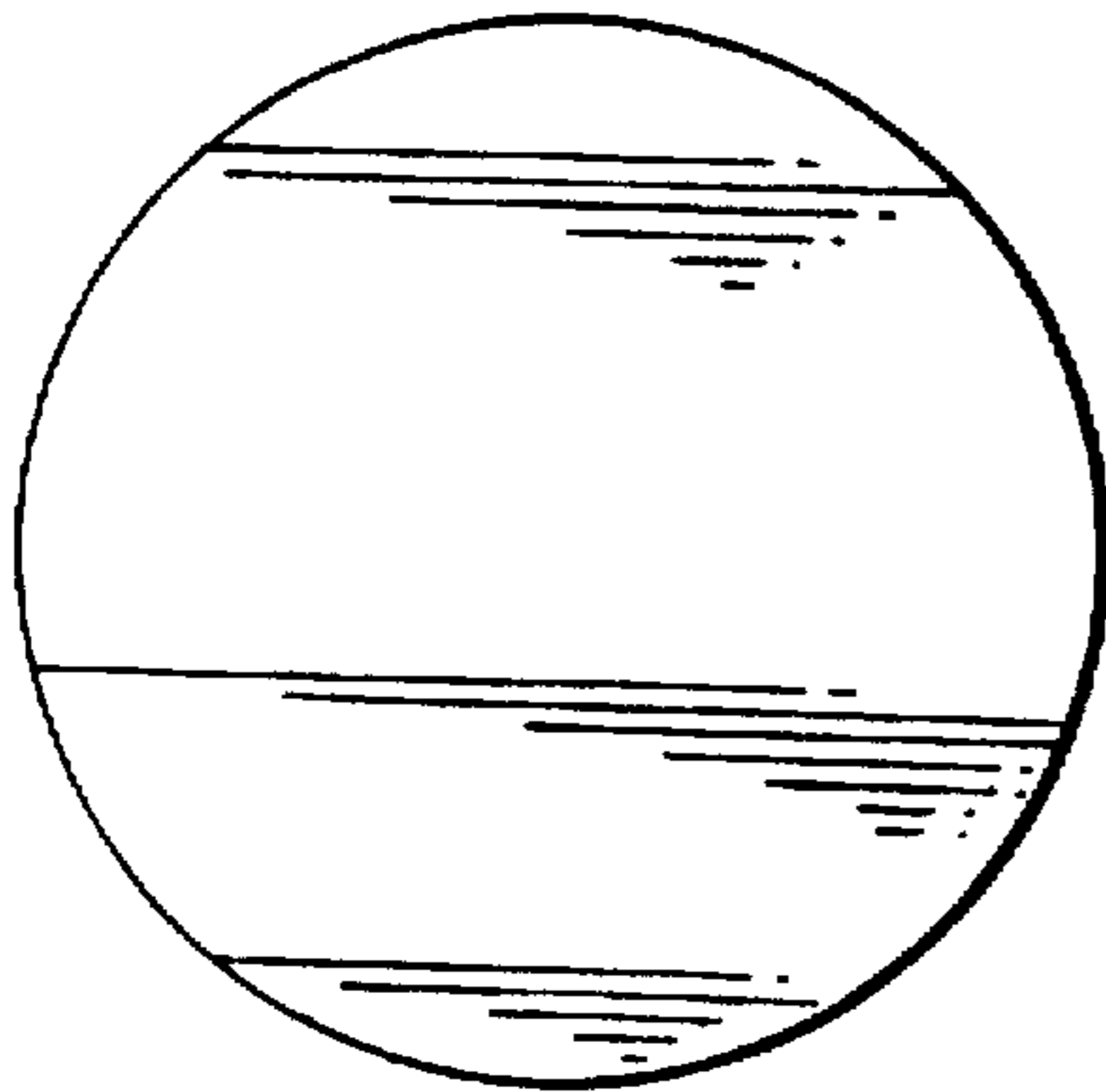
**FIG. 5**



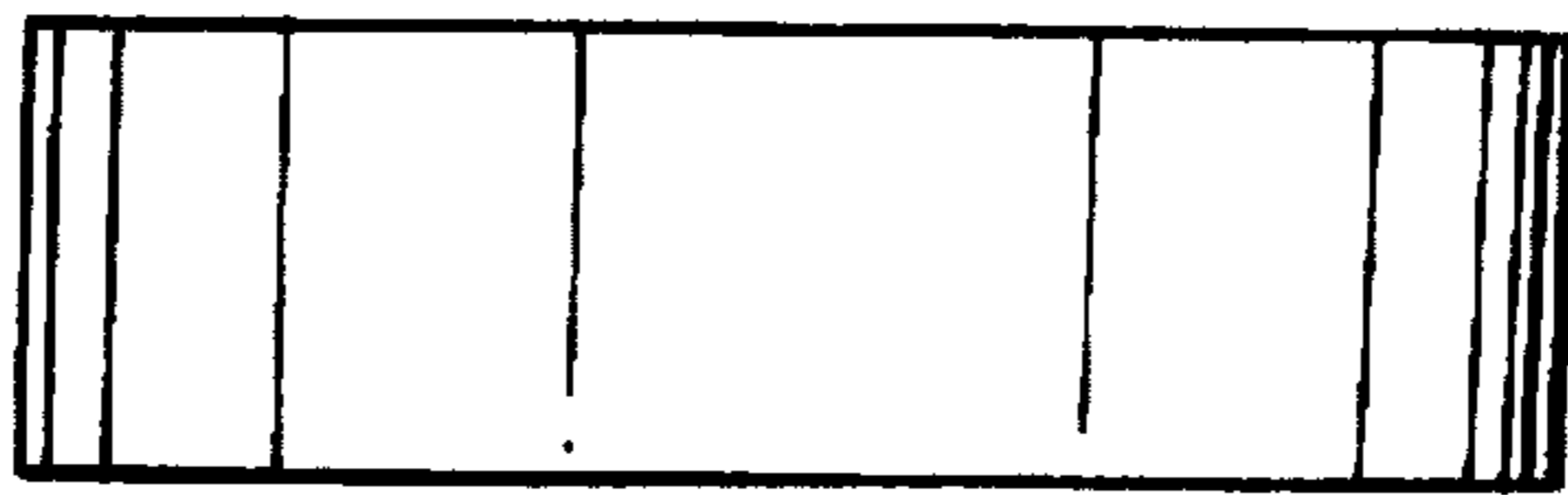
**FIG. 6**



**FIG. 7**



**FIG. 8**



**FIG. 9**