



US00D394663S

United States Patent [19]

Stone et al.

[11] Patent Number: Des. 394,663

[45] Date of Patent: **May 26, 1998

[54] SPADE-TYPE BORING BIT HAVING CHAMFERED CORNER PORTIONS

[75] Inventors: Paul Andrew Stone, Glen Rock, Pa.; Rickey James Thomas, Lineboro, Md.; Chris McKenna; Timothy T. McKenzie, both of Baltimore, Md.; Richard Alan Adams, Timonium, Md.

[73] Assignee: Black & Decker Inc., Newark, Del.

[**] Term: 14 Years

[21] Appl. No.: 52,134

[22] Filed: Mar. 25, 1996

Related U.S. Application Data

[63] Continuation-in-part of Ser. No. 32,861, Dec. 30, 1994, Pat. No. Des. 372,485, and a continuation of Ser. No. 42,478, Aug. 11, 1995, abandoned, and a continuation-in-part of Ser. No. 514,071, Aug. 11, 1995, which is a continuation-in-part of Ser. No. 366,986, Dec. 30, 1995.

[51] LOC (6) Cl. 15-09
[52] U.S. Cl. D15/139
[58] Field of Search D15/139; 408/211, 408/213, 225, 230

References Cited

U.S. PATENT DOCUMENTS

85,107	12/1868	LeCount .	
D. 240,263	6/1976	Southall .	
D. 278,065	3/1985	Sydrowski et al. .	
D. 372,485	8/1996	Stone et al.	D15/139
D. 376,809	12/1996	Stone et al.	D15/139
606,319	6/1898	Watrous .	
1,004,902	10/1911	Potter .	
1,483,082	2/1924	Dosimont .	
1,595,588	8/1926	Tuttle .	
2,332,295	10/1943	Bouchal .	
2,543,206	2/1951	Smith .	
2,627,292	2/1953	Kronwall .	
2,681,673	6/1954	Mackey .	
2,692,627	10/1954	Stearns .	
2,782,824	2/1957	Robinson .	
2,883,888	4/1959	Stewart .	
2,962,066	11/1960	Deliso .	

3,824,026	7/1974	Gaskins .	
3,920,350	11/1975	Southall .	
3,997,279	12/1976	Porter .	
4,012,970	3/1977	Hintz et al. .	
4,050,841	9/1977	Hildebrandt .	
4,286,904	9/1981	Porter et al. .	
4,620,822	11/1986	Haque et al. .	
4,625,593	12/1986	Schmotzer .	
4,682,917	7/1987	Williams, III et al. .	
4,753,558	6/1988	Jansson .	
4,759,667	7/1988	Brown .	
4,950,111	8/1990	Thomas .	
5,056,967	10/1991	Hageman .	
5,061,127	10/1991	Thomas .	
5,099,933	3/1992	Schimke et al. .	
5,145,018	9/1992	Schimke et al. .	
5,149,234	9/1992	Durfee, Jr. .	
5,184,689	2/1993	Scheirer et al. .	
5,193,951	3/1993	Schimke .	
5,221,166	6/1993	Bothum .	
5,286,143	2/1994	Schimke .	
5,291,806	3/1994	Bothum .	
5,433,561	7/1995	Schimke .	
5,452,970	9/1995	Sundstrom et al. .	

FOREIGN PATENT DOCUMENTS

1097104	3/1981	Canada .	
0118806	9/1984	European Pat. Off. .	
2617-753A	1/1989	France .	
2636-182	2/1978	Germany .	
2130935	6/1984	United Kingdom .	
2271948	4/1994	United Kingdom .	

Primary Examiner—Antoine Duval Davis
Attorney, Agent, or Firm—The Bell Seltzer Intellectual Property Law Group of Alston & Bird LLP

[57] CLAIM

The ornamental design for a spade-type boring bit having chamfered corner portions, as shown and described.

DESCRIPTION

FIG. 1 is a front perspective view of a first embodiment of a spade-type boring bit having chamfered corner portions embodying our new design;
FIG. 2 is a rear elevational view thereof, taken from the side opposite that illustrated in FIG. 1;
FIG. 3 is a side elevational view thereof, taken from the side opposite that illustrated in FIG. 1;

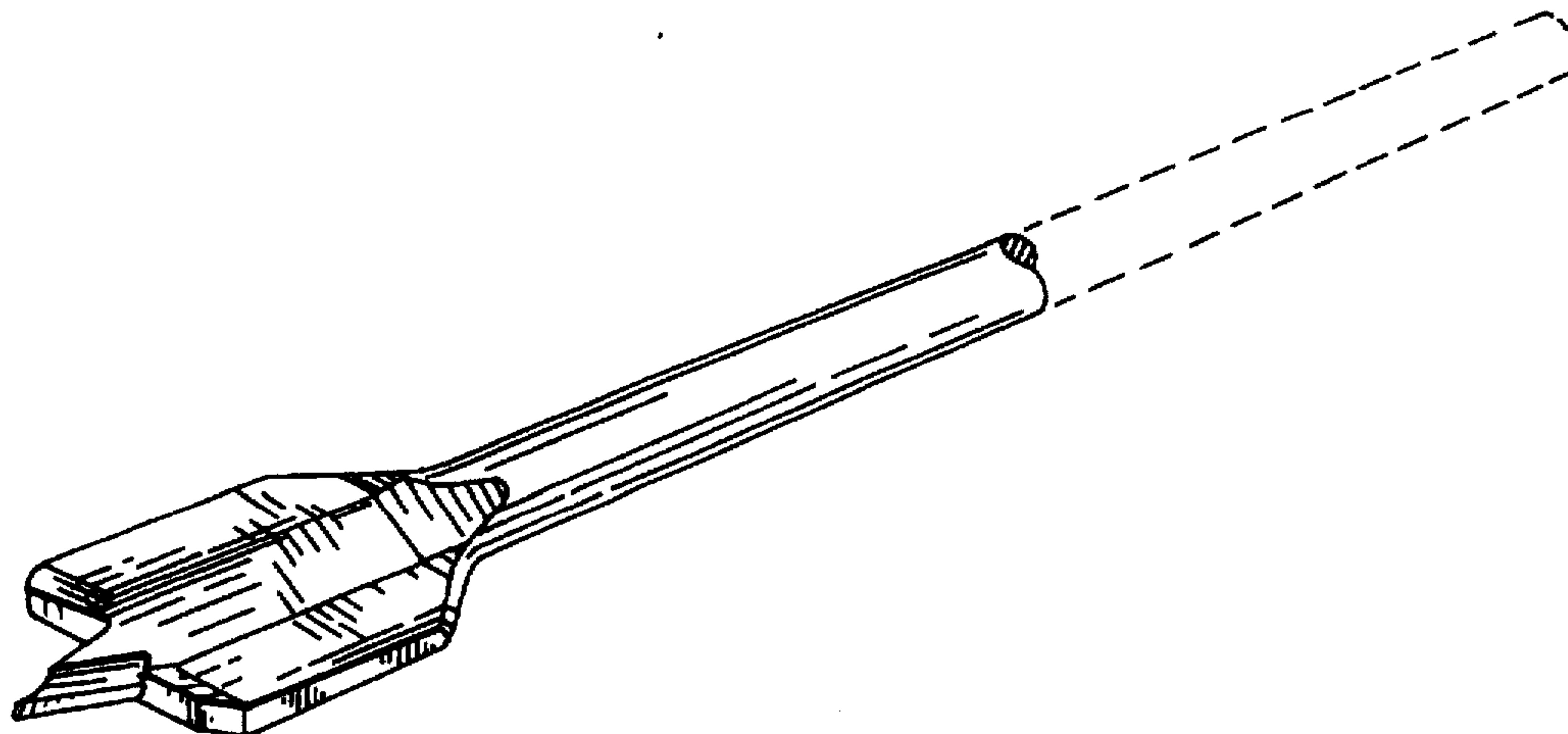


FIG. 4 is a slightly enlarged top plan view thereof;
FIG. 5 is a slightly enlarged bottom plan view thereof;
FIG. 6 is a front perspective view of a second embodiment of our new design;
FIG. 7 is a rear elevational view thereof, taken from the side opposite that illustrated in FIG. 6;
FIG. 8 is a side elevational view thereof, taken from the side opposite that illustrated in FIG. 6;

FIG. 9 is a slightly enlarged top plan view thereof; and,
FIG. 10 is a slightly enlarged bottom plan view thereof.
The broken lines in the figures are shown for illustrative purposes only and form no part of the claimed design.

1 Claim, 2 Drawing Sheets

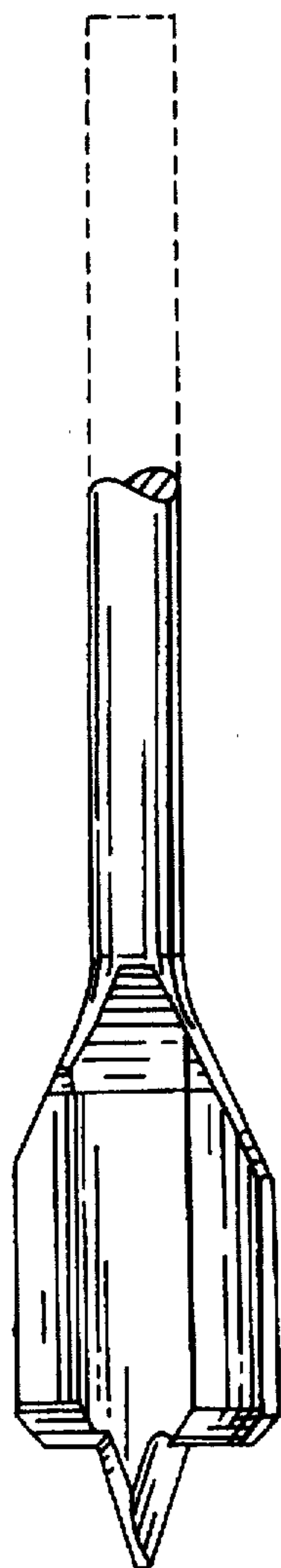
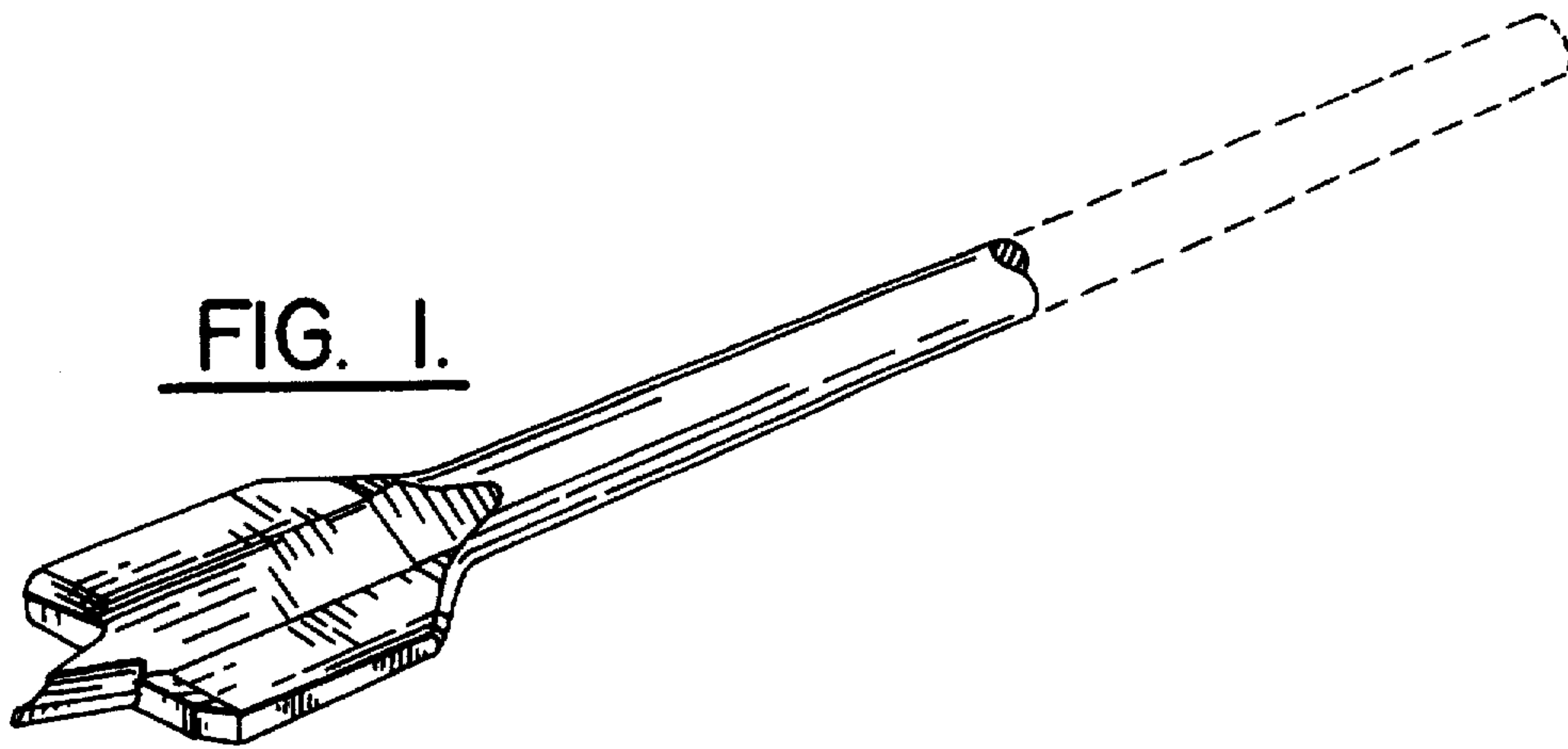


FIG. 2.

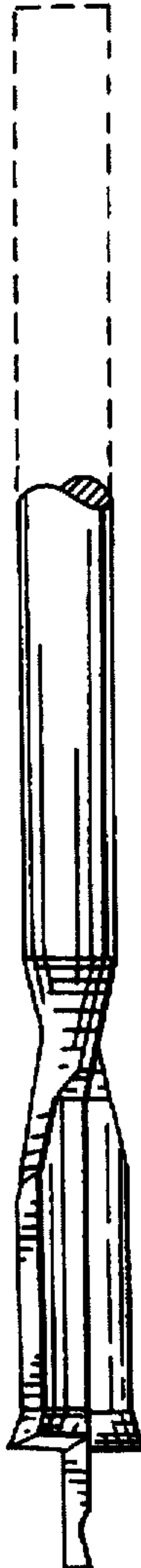


FIG. 3.

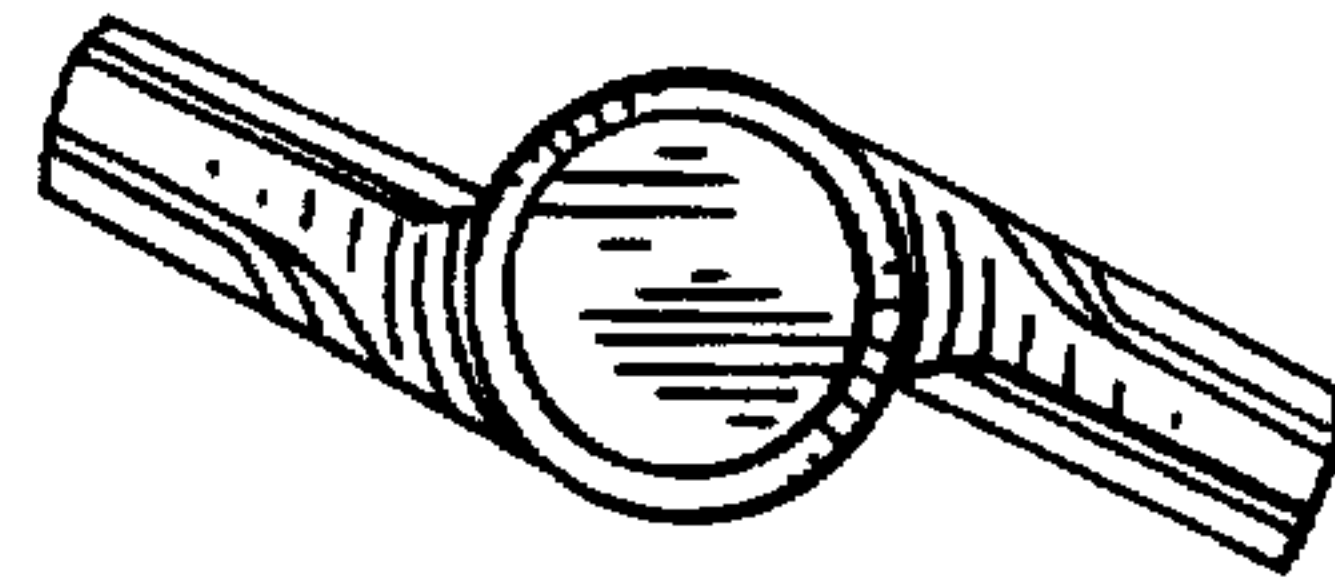


FIG. 4.



FIG. 5.

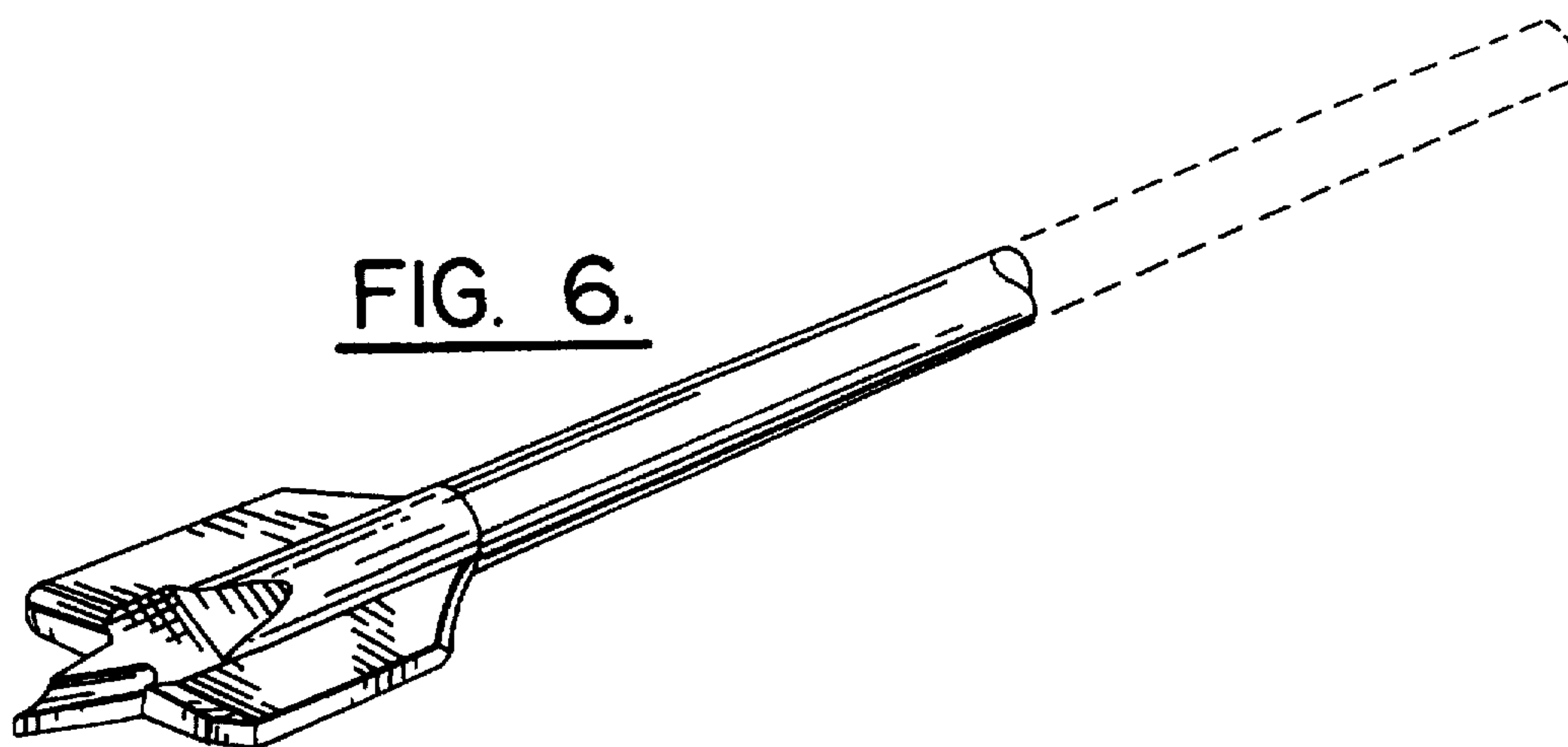


FIG. 6.

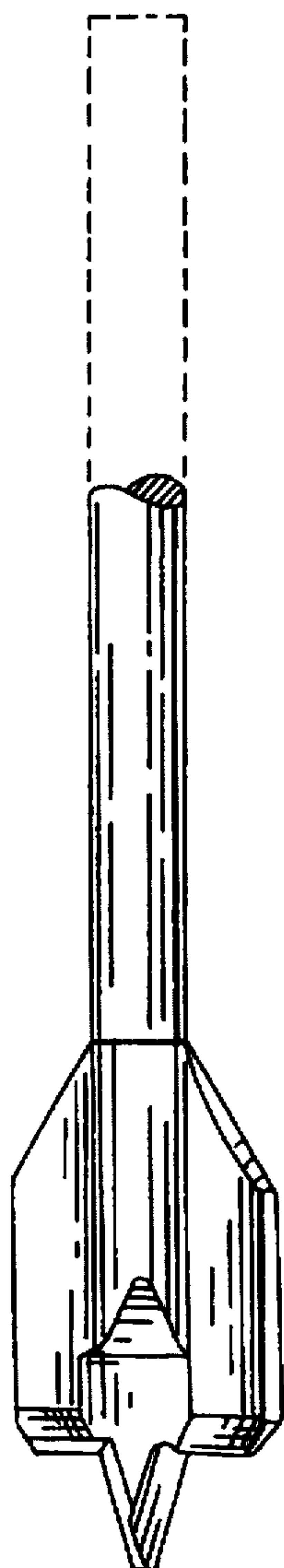


FIG. 7.

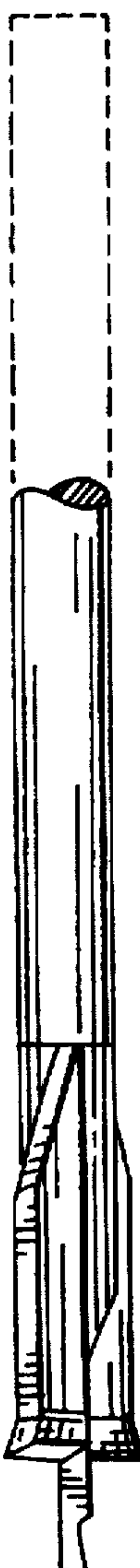


FIG. 8.

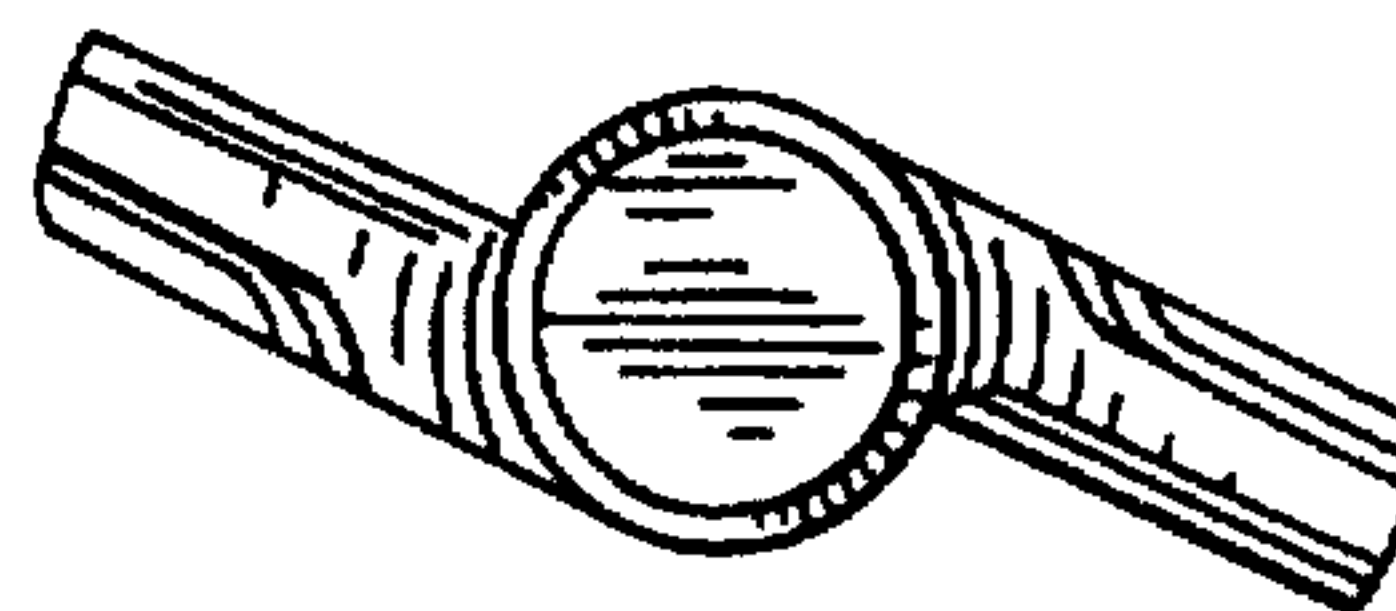


FIG. 9.

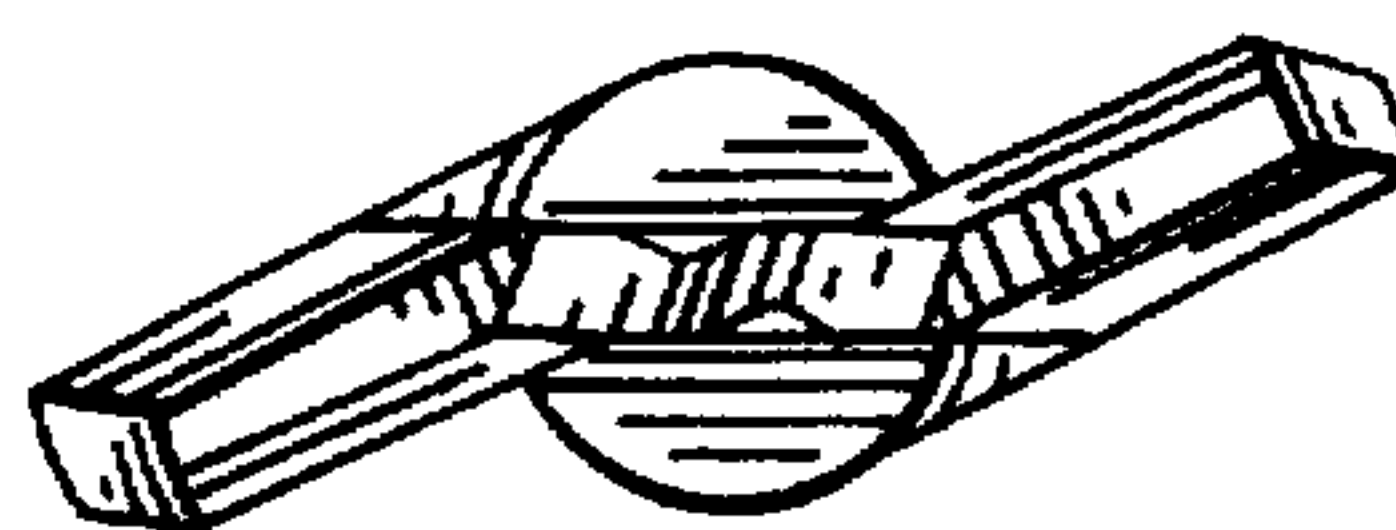


FIG. 10.

UNITED STATES PATENT AND TRADEMARK OFFICE
CERTIFICATE OF CORRECTION

PATENT NO. : DES. 394,663
DATED : May 26, 1998
INVENTOR(S) : Stone

It is certified that error appears in the above-identified patent and that said Letters Patent is hereby corrected as shown below:

On the title page, column 1, Inventors, omit "Chris McKenna".

Signed and Sealed this
Twenty-ninth Day of September, 1998

Attest:



BRUCE LEHMAN

Attesting Officer

Commissioner of Patents and Trademarks