



US00D394662S

United States Patent [19]
Grow

[11] **Patent Number: Des. 394,662**
[45] **Date of Patent: **May 26, 1998**

[54] **MULCH THROW MOWER**

[76] **Inventor: Christopher Grow**, 1170 Greenhill Road, Uraidla, South Australia, 5142, Australia

[**] **Term: 14 Years**

[21] **Appl. No.: 53,684**

[22] **Filed: May 31, 1996**

[51] **LOC (6) Cl. 15-03**

[52] **U.S. Cl. D15/27; D15/17**

[58] **Field of Search D15/10, 13, 14, D15/17, 27, 28; 56/6, 15.8, 16.7, 17.1**

[56] **References Cited**

U.S. PATENT DOCUMENTS

D. 208,364	8/1967	Coss	D15/17
D. 271,398	11/1983	McCanse et al.	D15/27
D. 344,738	3/1994	Young	D15/27
4,916,889	4/1990	Molstad	56/6

OTHER PUBLICATIONS

John Deere front Mowers F11435/F900 Series, Jan. 1992, p. 7. Mower, top.

Primary Examiner—Sandra L. Morris
Attorney, Agent, or Firm—Foley & Lardner

[57] **CLAIM**

The ornamental design for a mulch throw mower, as shown and described.

DESCRIPTION

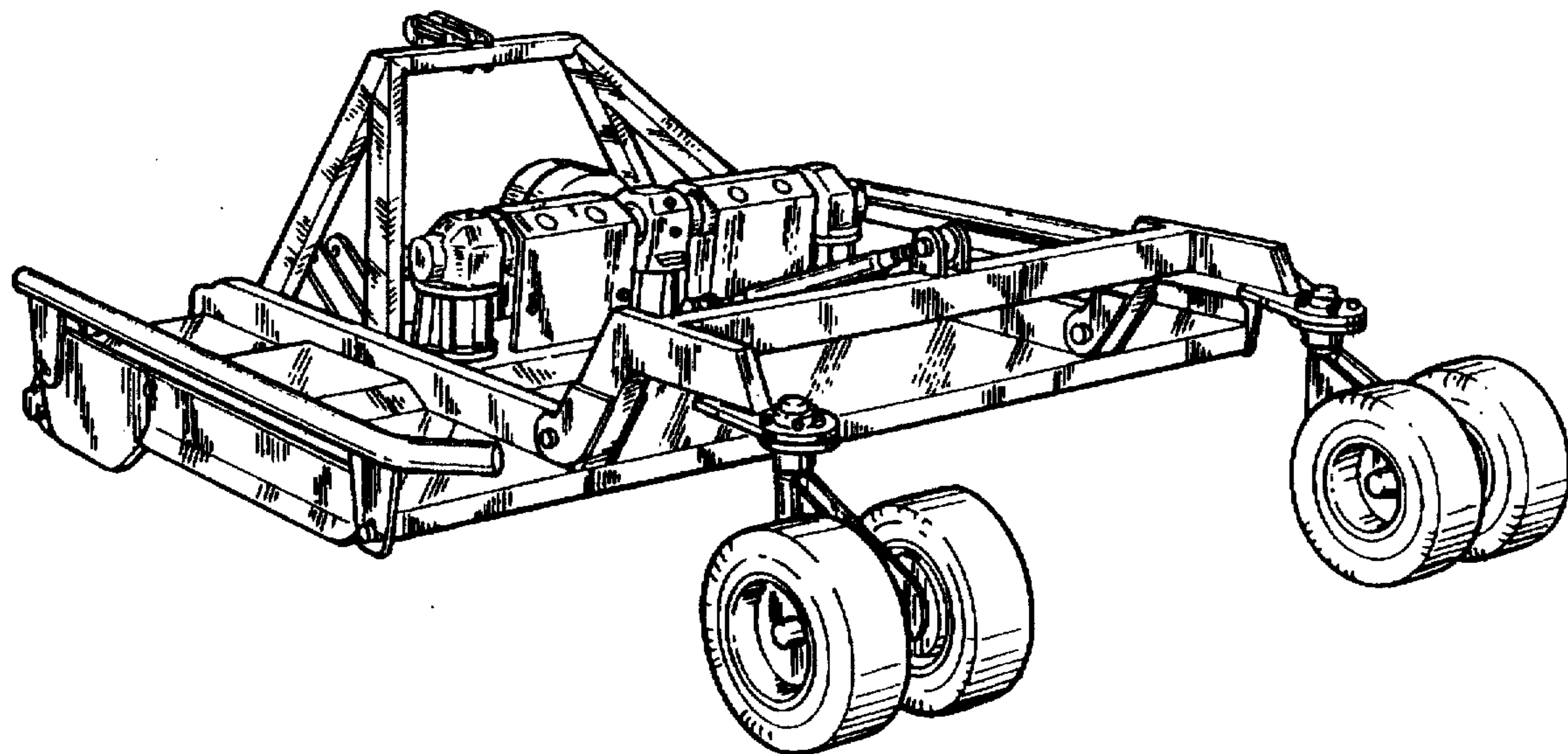
FIG. 1 is a rear perspective view of a mulch throw mower, showing my new design;

FIG. 2 is a front perspective view of the machine shown in FIG. 1;

FIG. 3 is a side elevational view of the machine in FIG. 1, with both the left and right hand side views being identical; and,

FIG. 4 is a rear elevational view of the machine shown in FIG. 1.

1 Claim, 4 Drawing Sheets



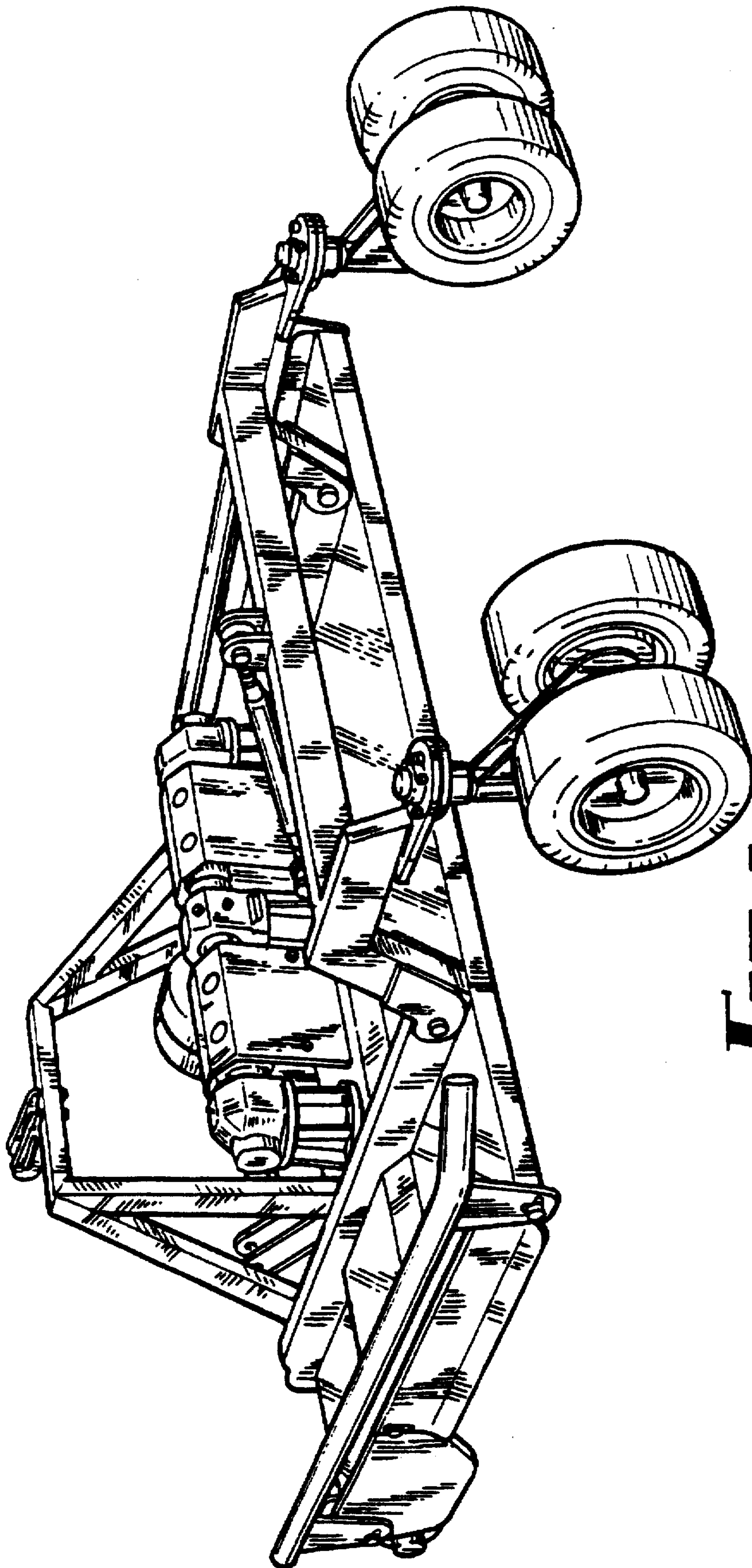


FIG 1

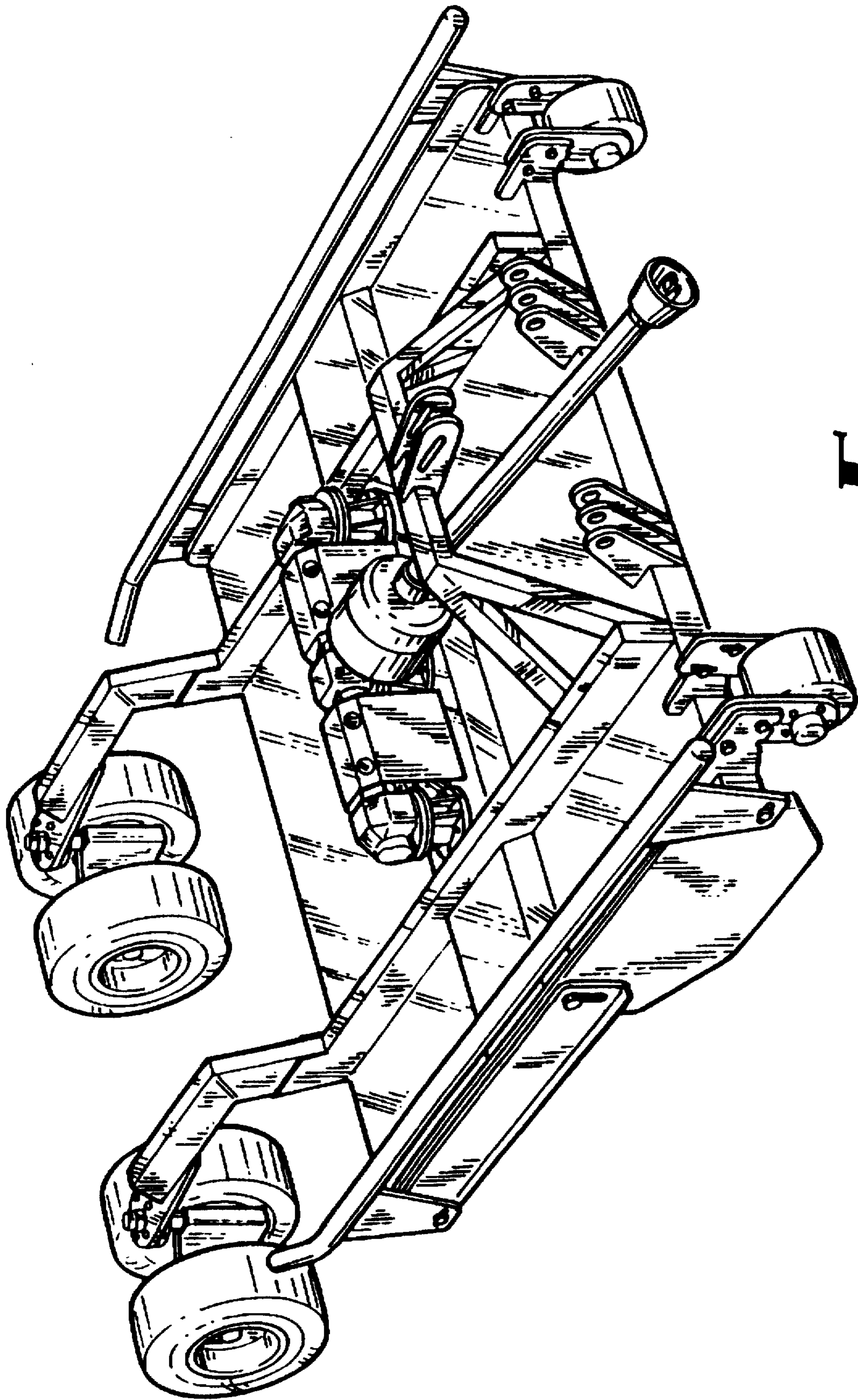


FIG 2

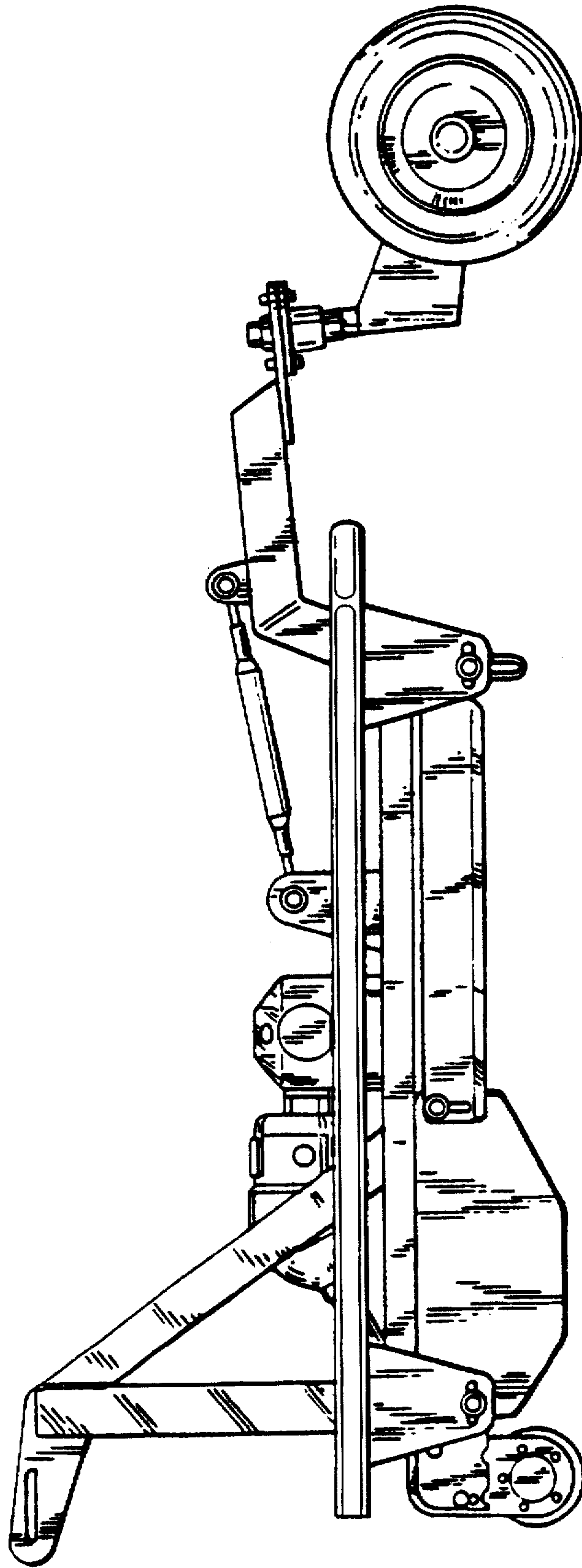


FIG 3

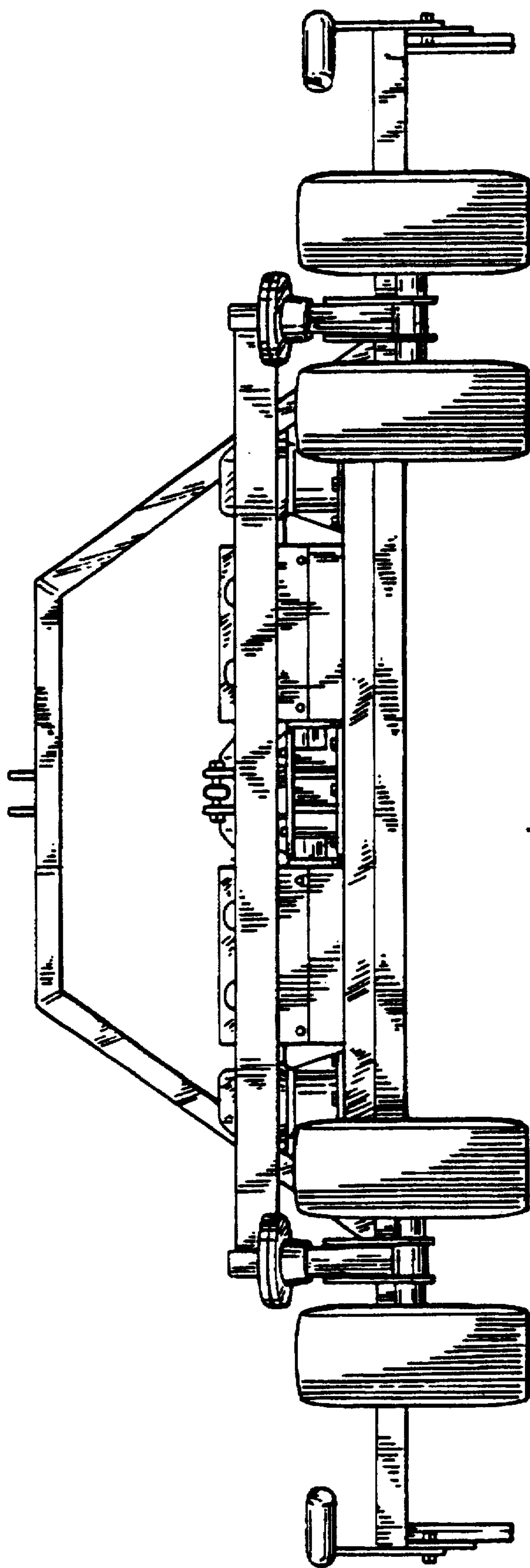


FIG 4