



US00D394661S

**United States Patent** [19]  
**Beachler, Jr.**

[11] **Patent Number:** **Des. 394,661**  
[45] **Date of Patent:** **\*\*May 26, 1998**

[54] **ENGINE PRE-OILER**  
[76] **Inventor:** **Norman E. Beachler, Jr.**, P.O. Box  
104, Frontier, Wyo. 83121  
[\*\*] **Term:** **14 Years**  
[21] **Appl. No.:** **65,206**  
[22] **Filed:** **Jan. 23, 1997**  
[51] **LOC (6) Cl.** ..... **15-01**  
[52] **U.S. Cl.** ..... **D15/5; D15/150**  
[58] **Field of Search** ..... **D15/5, 150, 151,**  
**D15/152; 184/6.3, 29, 55.1; 123/196 R,**  
**196 S**

5,348,121 9/1994 McLaughlin ..... 184/6.3  
5,474,042 12/1995 Kaneda ..... 123/196 S

*Primary Examiner*—Antoine Duval Davis  
*Attorney, Agent, or Firm*—Harpman & Harpman

[57] **CLAIM**

The ornamental design for an engine pre-oiler, as shown and described.

**DESCRIPTION**

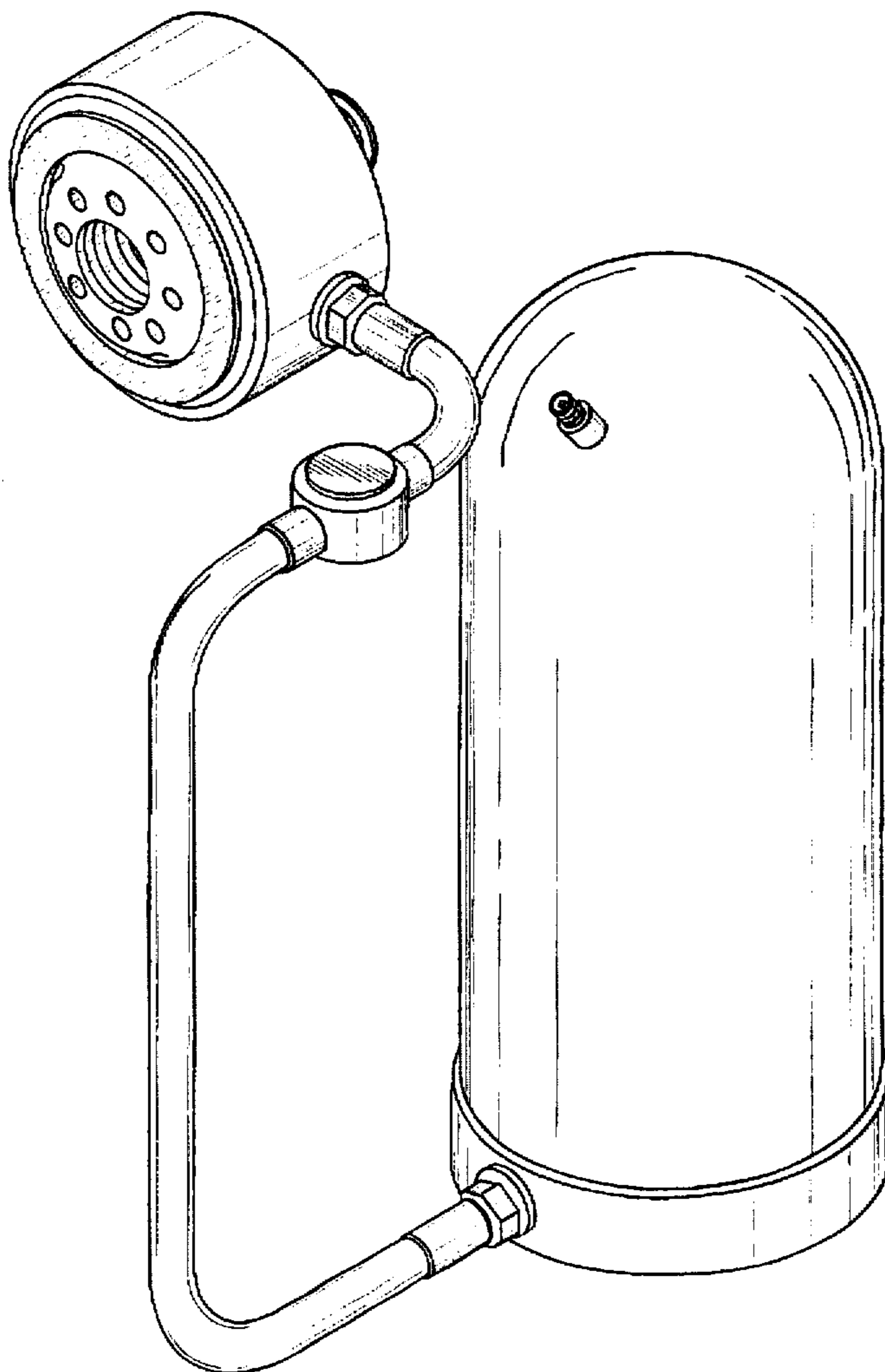
FIG. 1 is a front, top and side perspective view of the engine pre-oiler embodying the design of the present invention; FIG. 2 is a front elevational view thereof; FIG. 3 is a rear elevational view thereof; FIG. 4 is a right side elevational view thereof; FIG. 5 is a left side elevational view thereof; FIG. 6 is a top plan view thereof; and, FIG. 7 is a bottom plan view thereof.

[56] **References Cited**

**U.S. PATENT DOCUMENTS**

4,513,704 4/1985 Evans ..... 123/196 S  
4,825,826 5/1989 Andres ..... 123/196 S  
5,244,059 9/1993 McLaughlin ..... 184/6.3

**1 Claim, 6 Drawing Sheets**



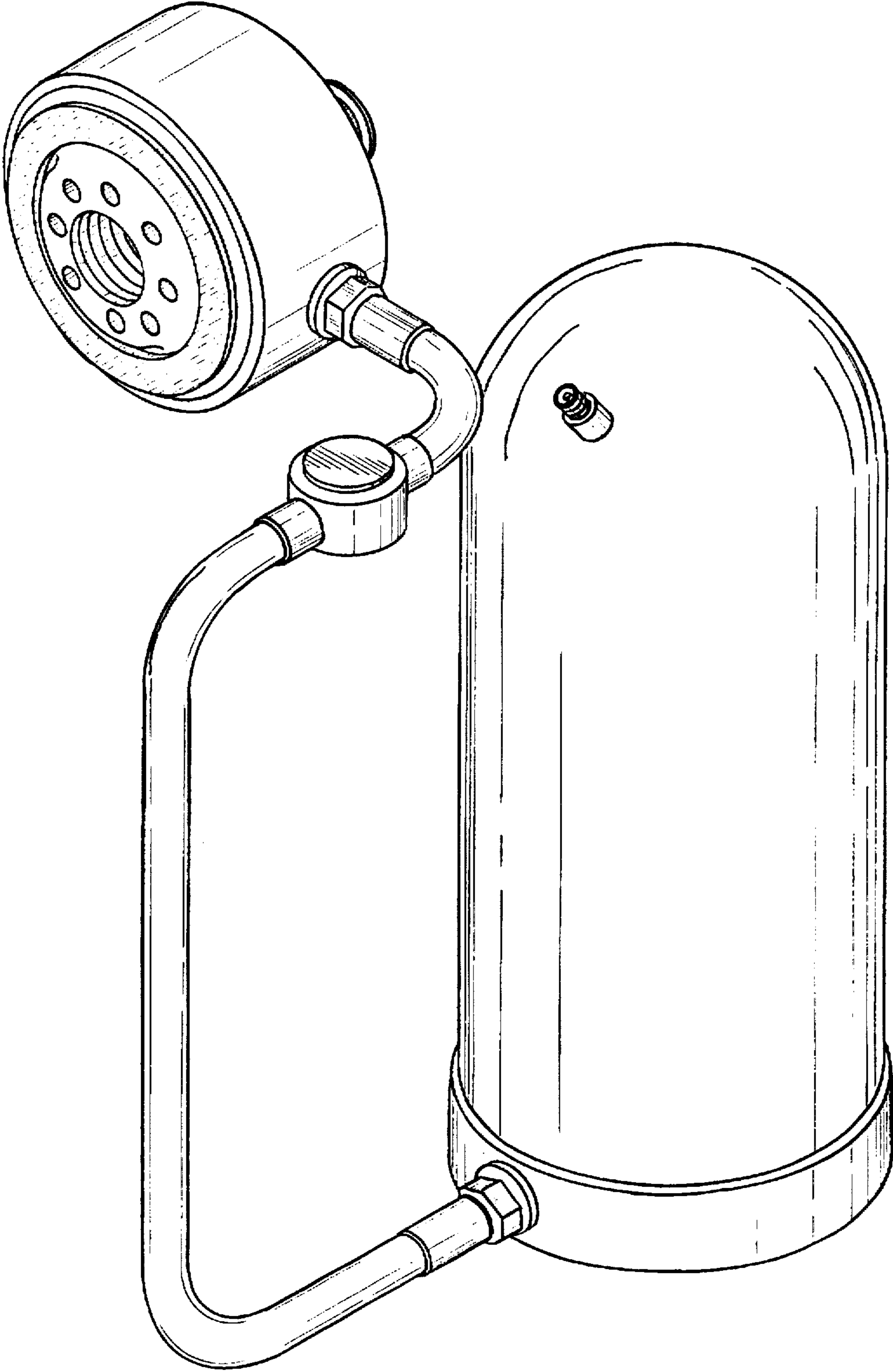


FIG. 1

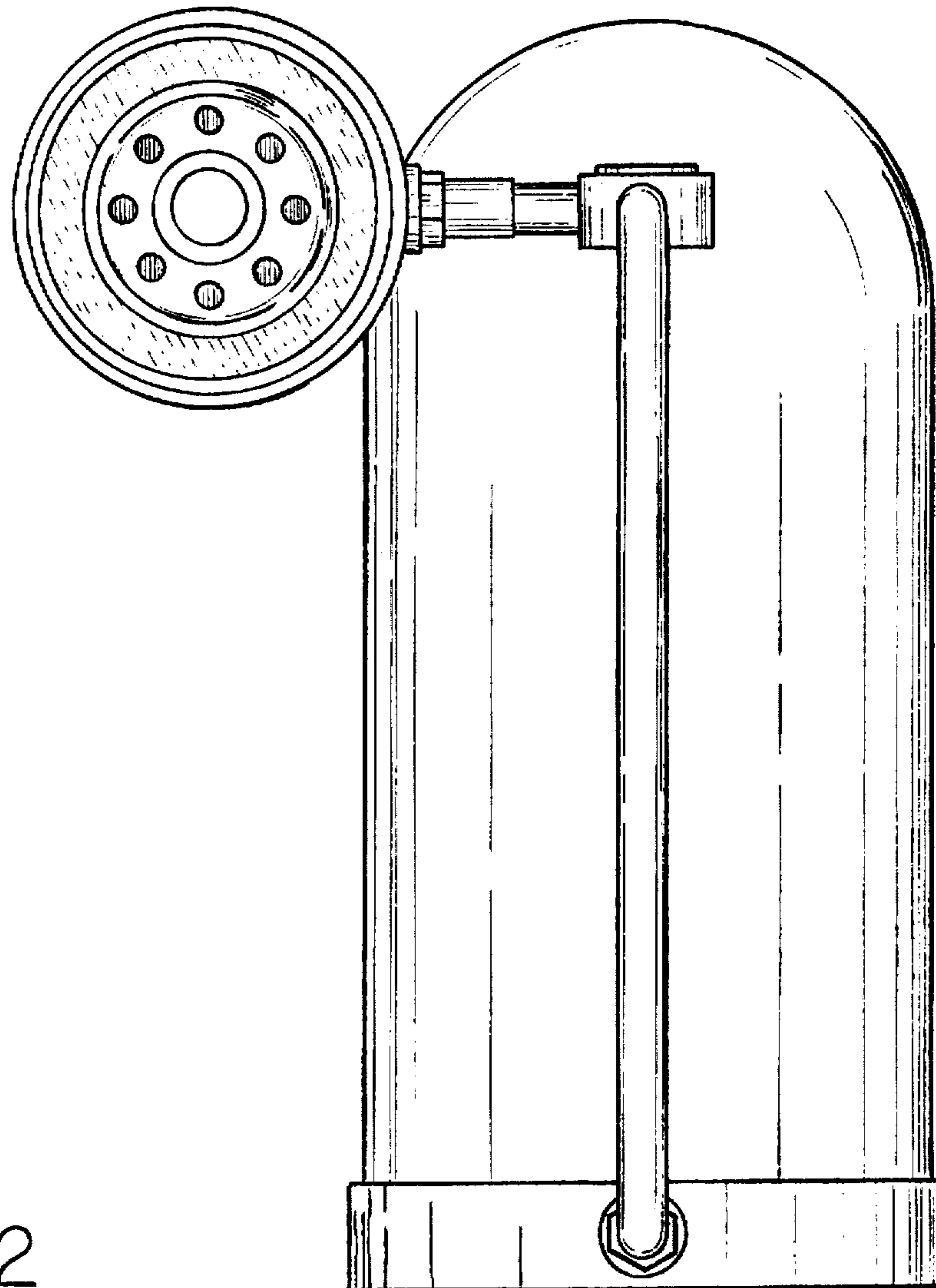


FIG. 2

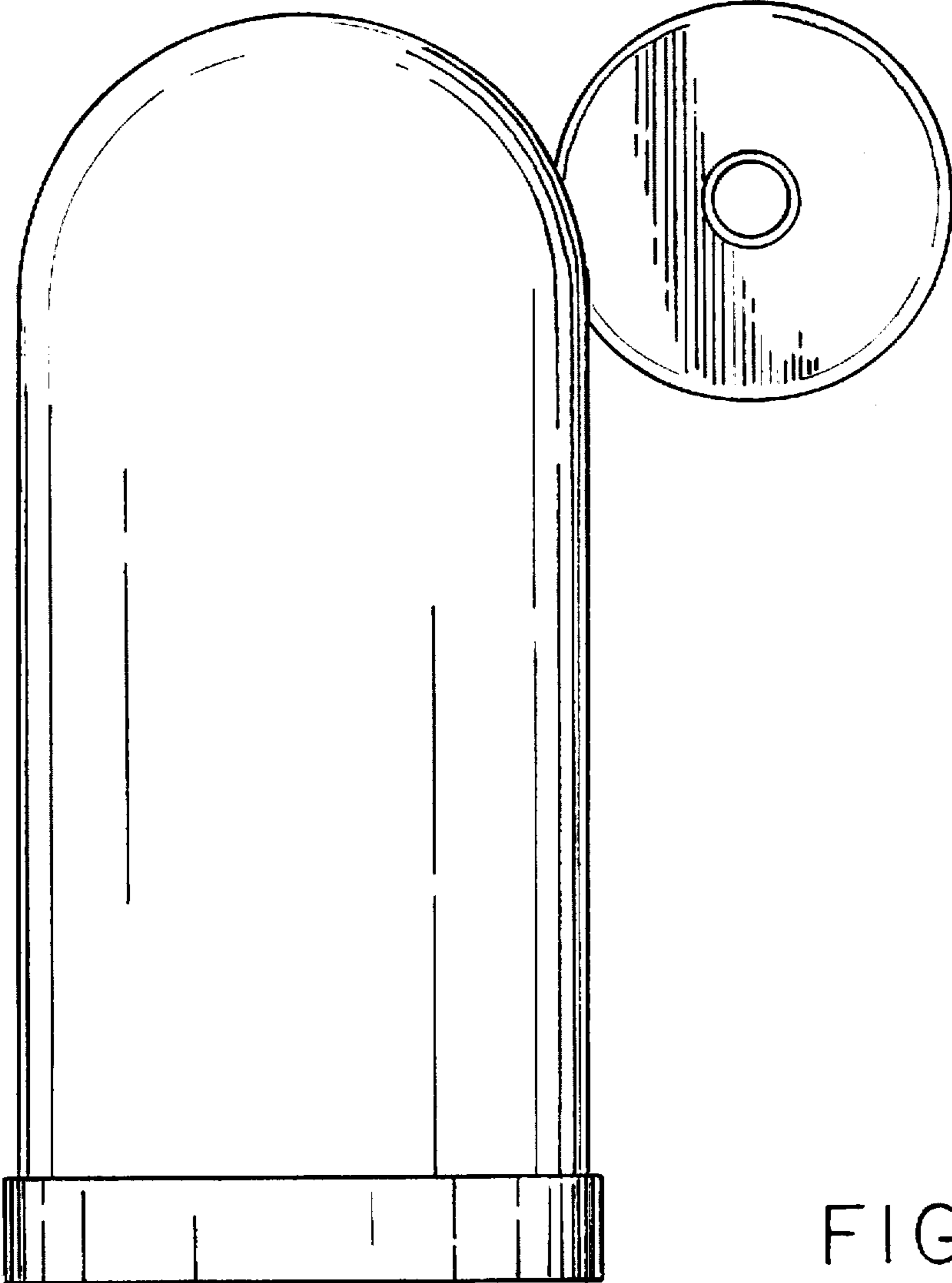


FIG. 3

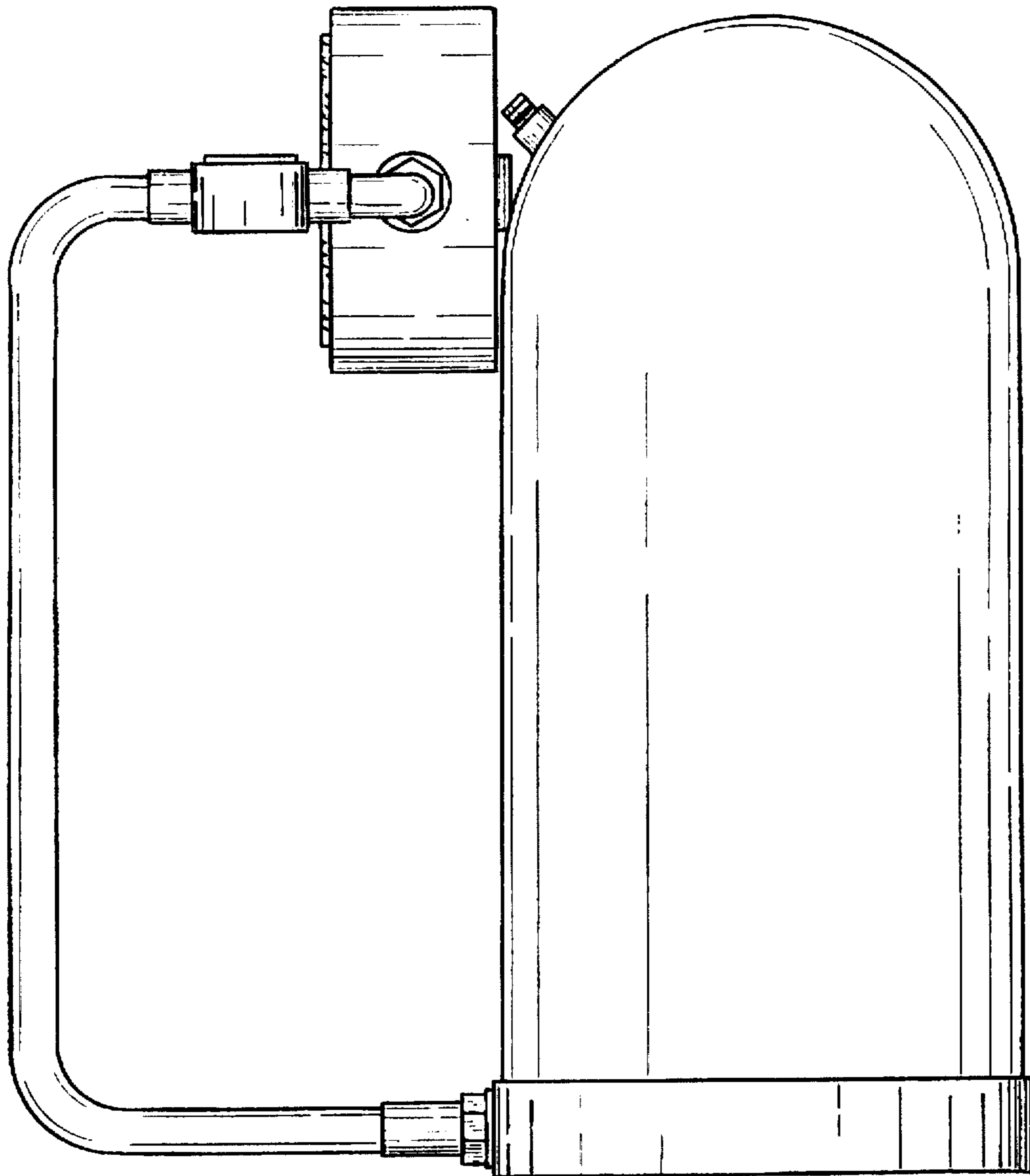


FIG.4

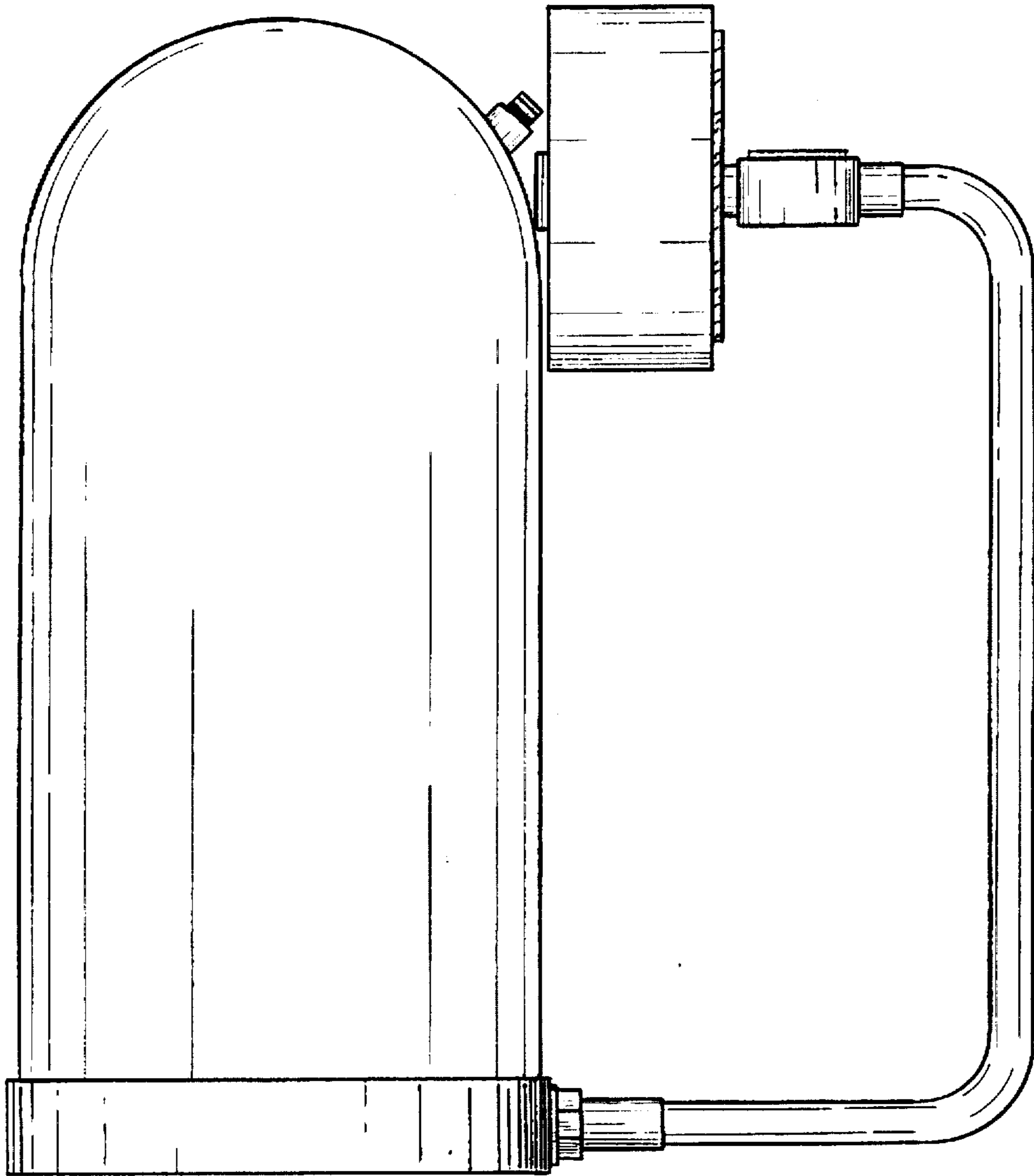


FIG. 5

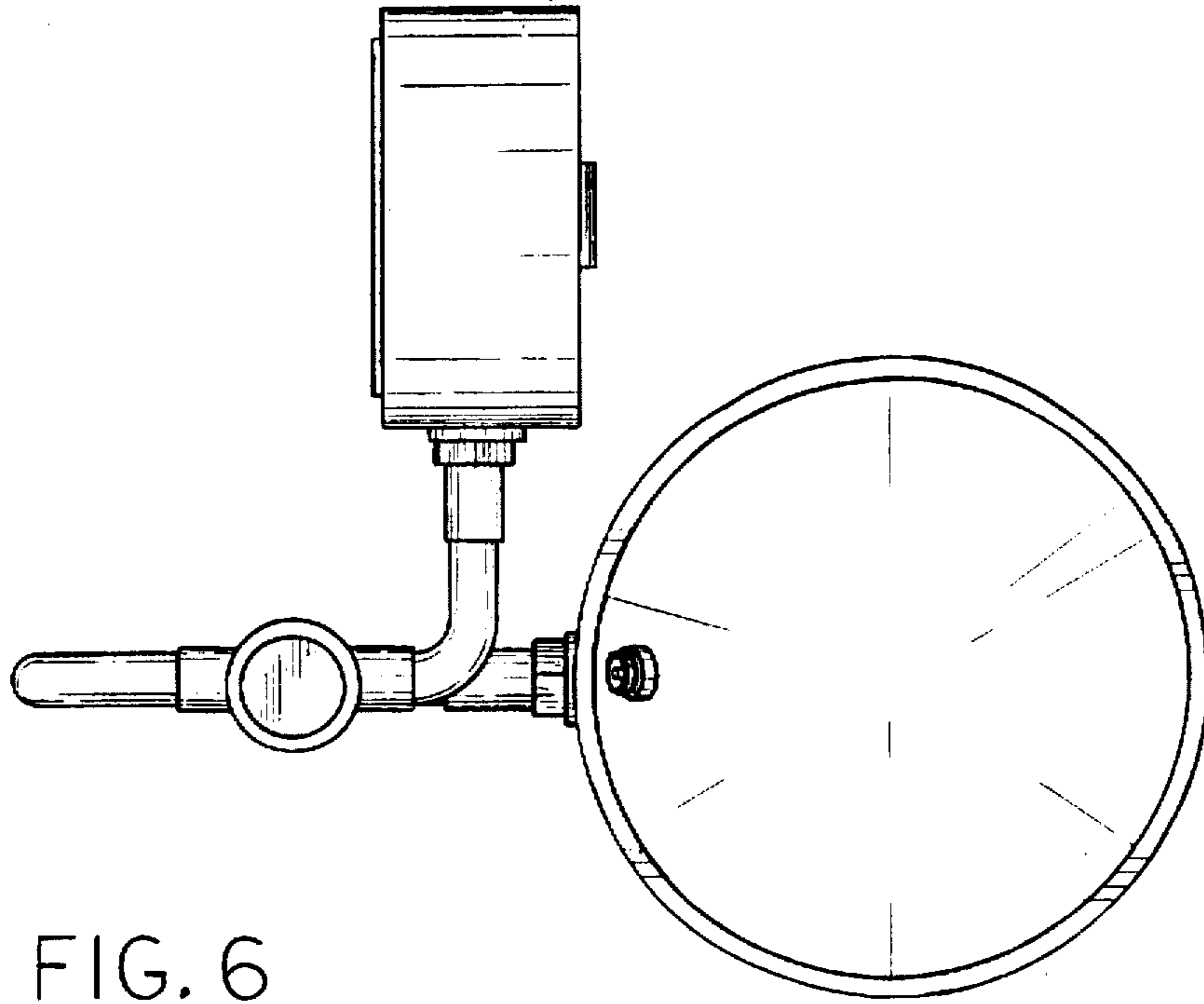


FIG. 6

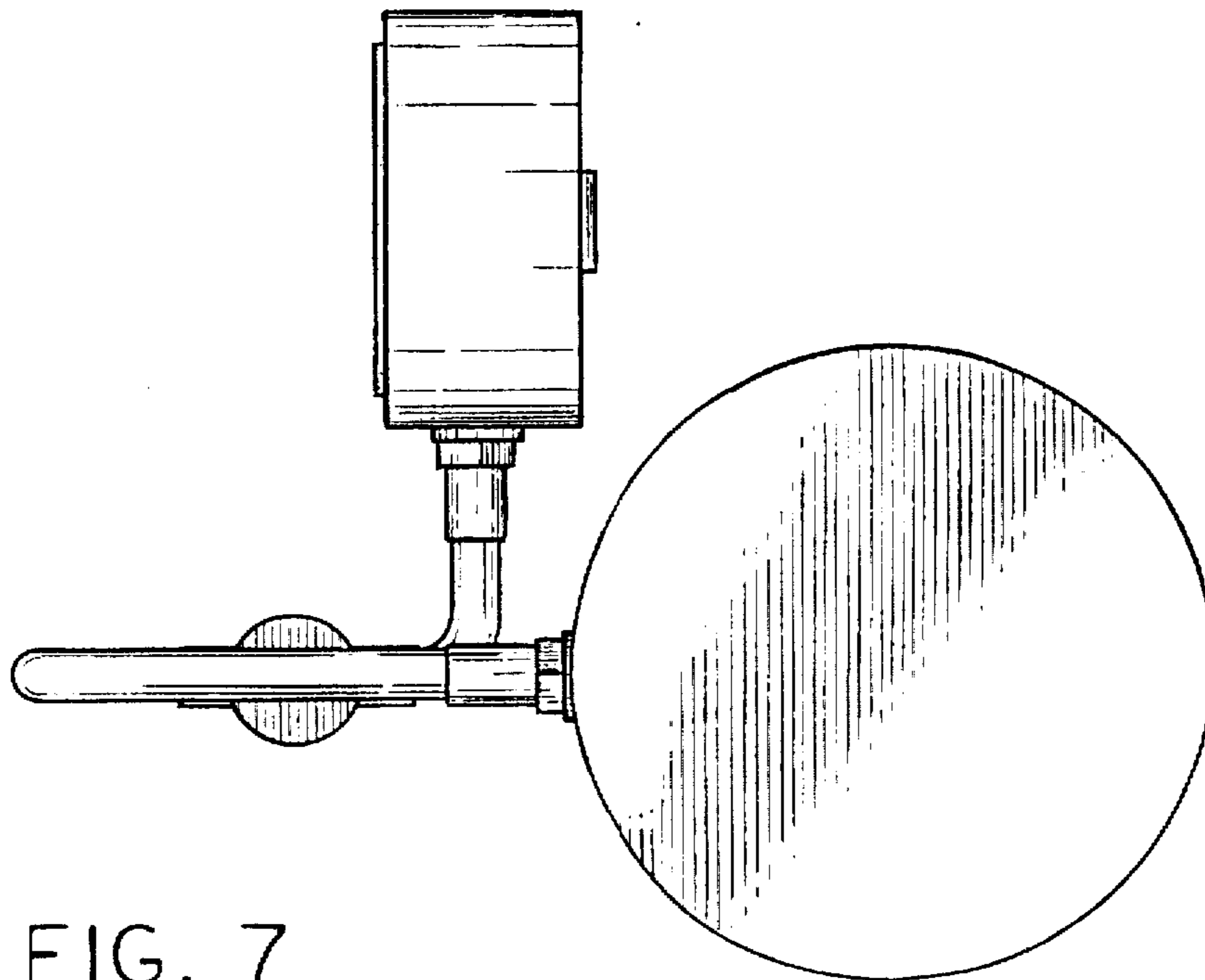


FIG. 7