

US00D394658S

**United States Patent** [19]  
**Christie**

[11] **Patent Number:** **Des. 394,658**  
[45] **Date of Patent:** **\*\*May 26, 1998**

[54] **SPEAKER**

[75] **Inventor:** **Cary Christie, Chatsworth, Calif.**

[73] **Assignee:** **Christie Design Corp., Chatsworth, Calif.**

[\*\*] **Term:** **14 Years**

[21] **Appl. No.:** **45,838**

[22] **Filed:** **Oct. 31, 1995**

[51] **LOC (6) Cl.** ..... **14-01**

[52] **U.S. Cl.** ..... **D14/214**

[58] **Field of Search** ..... **D14/204, 207-214, D14/220; 181/144-145, 147-148, 157, 159, 198-199; 381/24, 88, 90-91, 153, 159, 186, 188**

[56] **References Cited**

**U.S. PATENT DOCUMENTS**

D. 222,477 10/1971 Wada et al. .... D14/214

D. 241,253 8/1976 Bertagni et al. .... D14/211  
D. 242,474 11/1976 Croup ..... D14/214 X  
D. 256,914 9/1980 Rams ..... D14/214 X

*Primary Examiner*—Ted Shooman  
*Assistant Examiner*—Nanda Bondade  
*Attorney, Agent, or Firm*—Levisohn, Lerner, Berger & Langsam

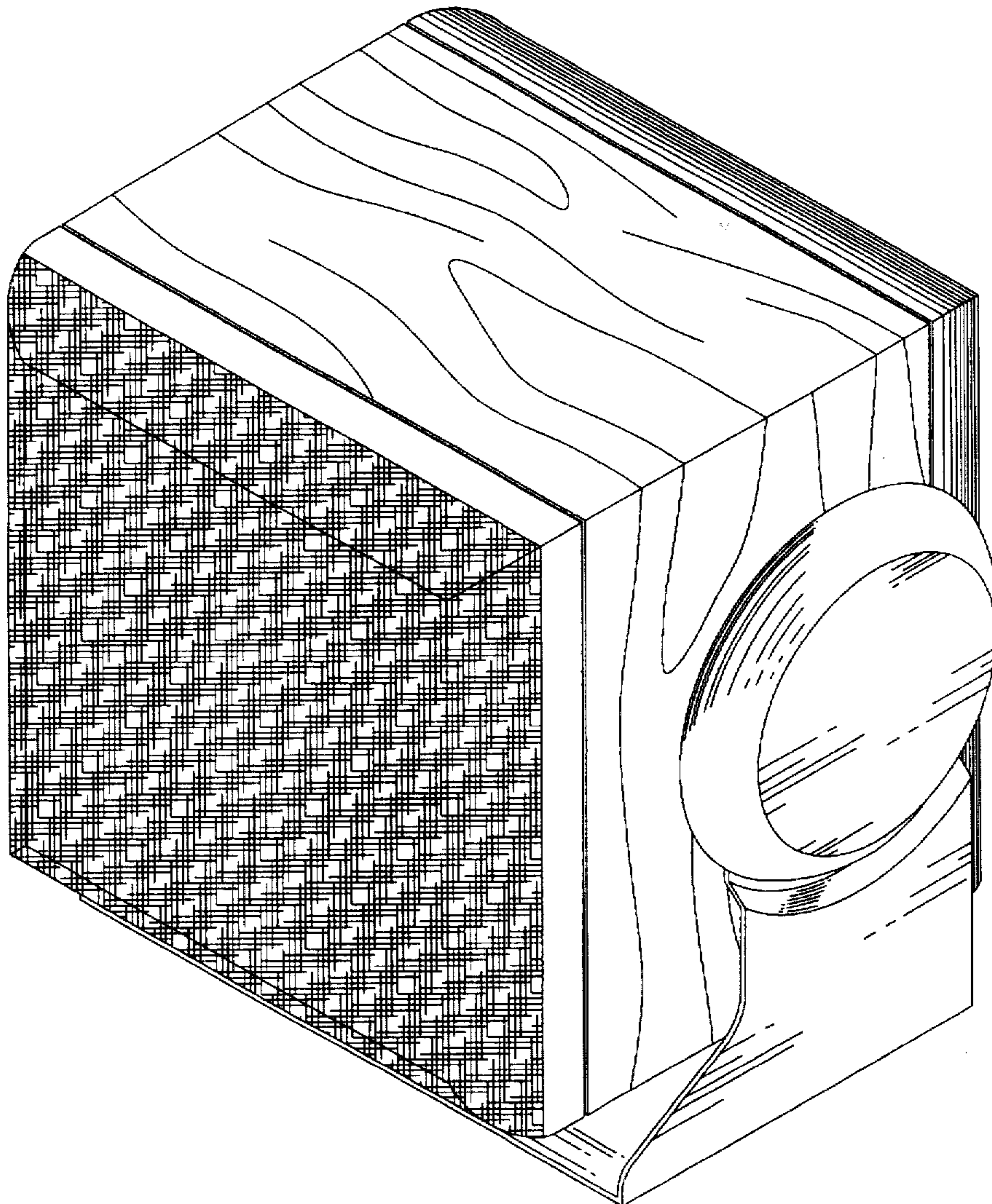
[57] **CLAIM**

The ornamental design for a speaker, as shown and described.

**DESCRIPTION**

FIG. 1 is a top plan view of a speaker showing my new design;  
FIG. 2 is a front elevational view thereof;  
FIG. 3 is a right side elevational view thereof, the left side being a mirror-image;  
FIG. 4 is a rear elevational view thereof; and,  
FIG. 5 is a perspective view thereof.

**1 Claim, 5 Drawing Sheets**



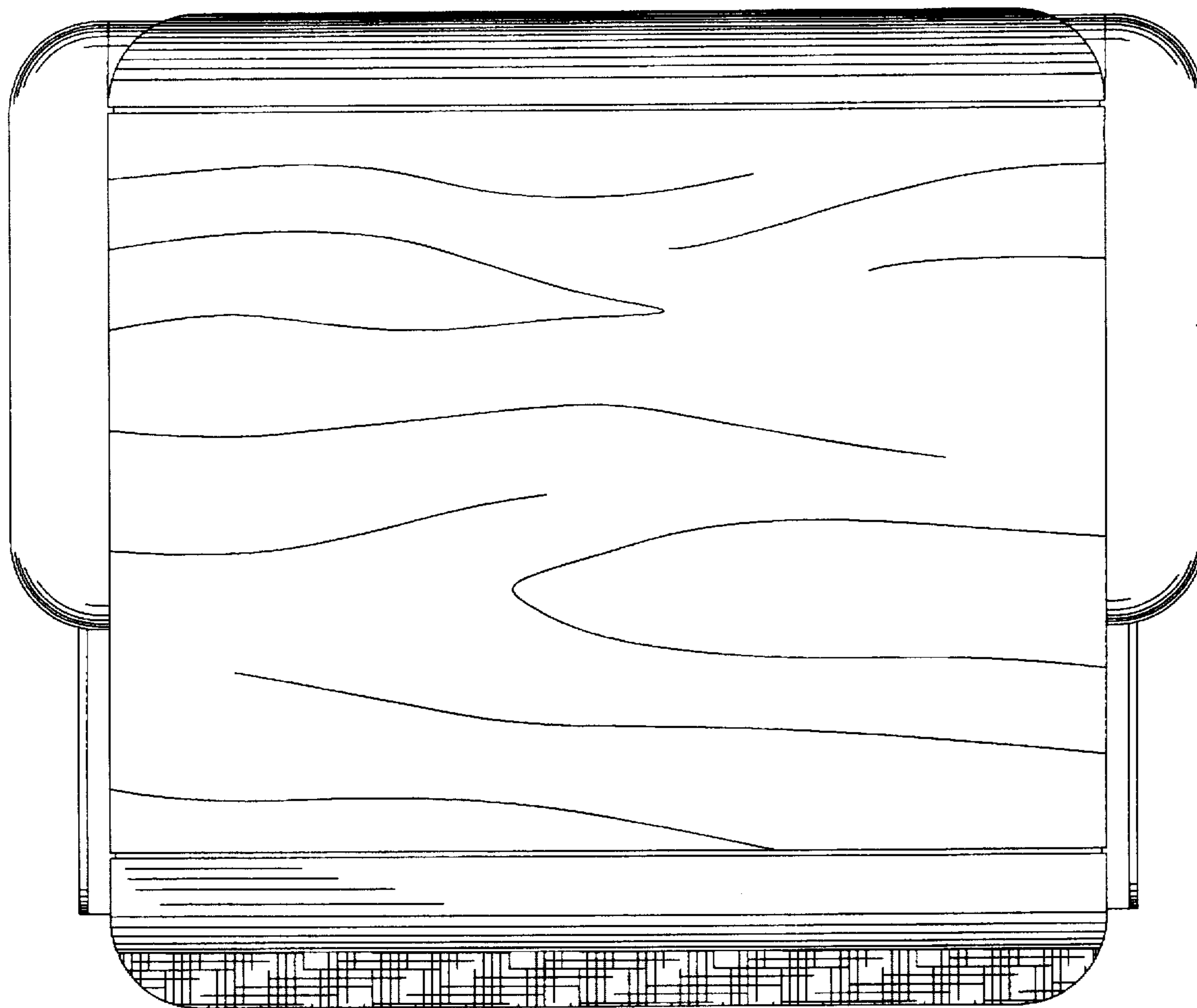


FIG 1

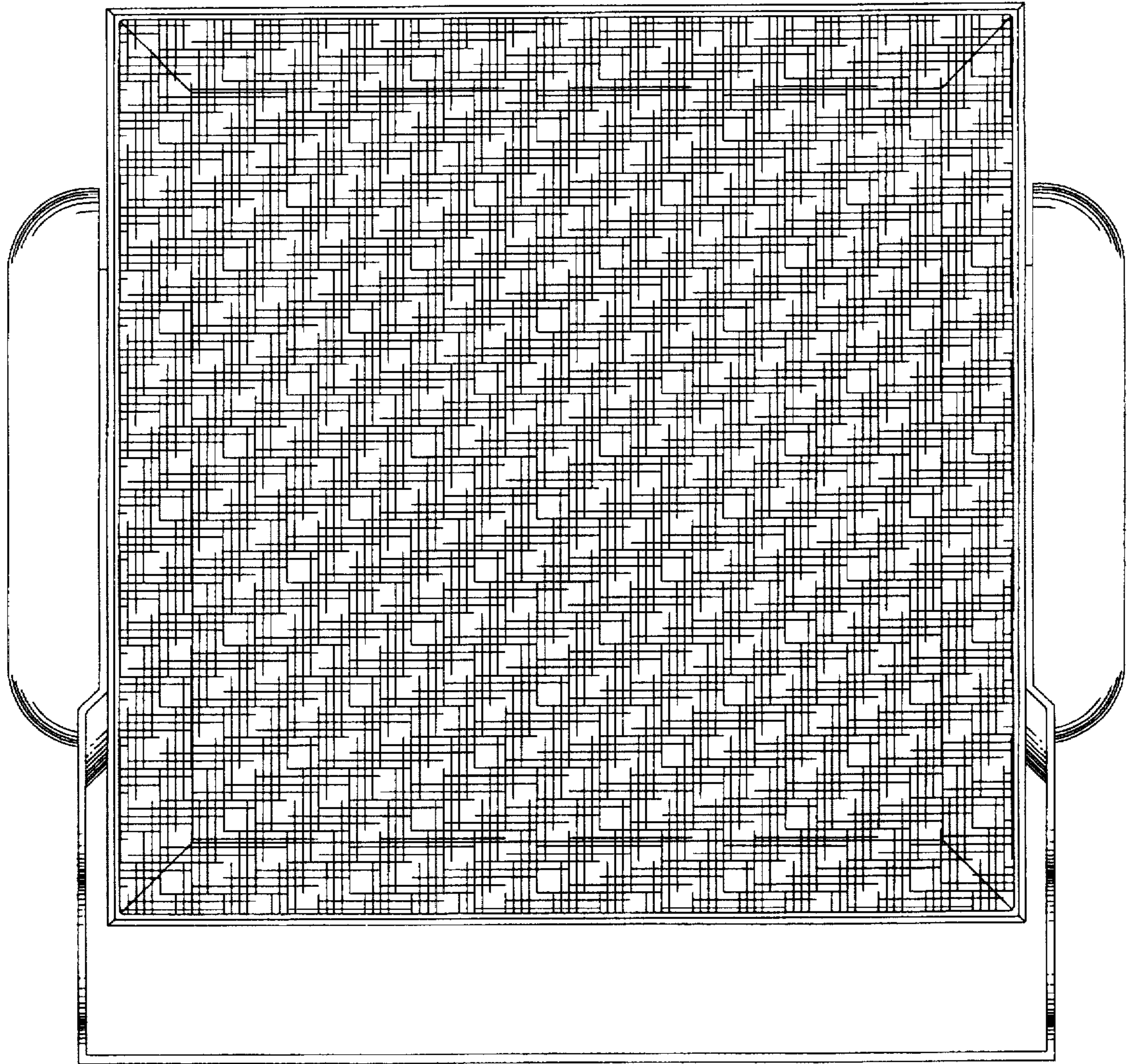


FIG 2

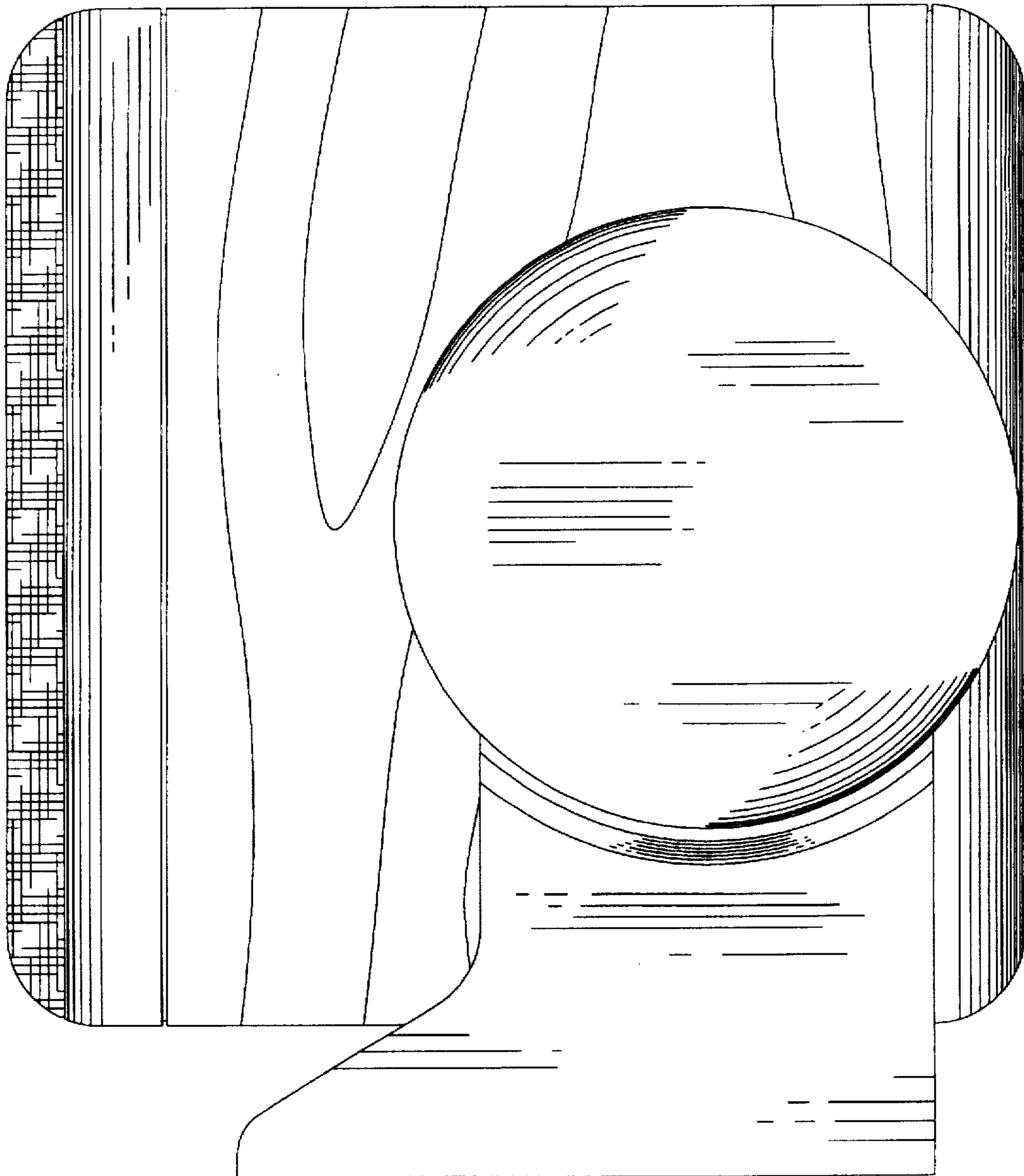


FIG 3

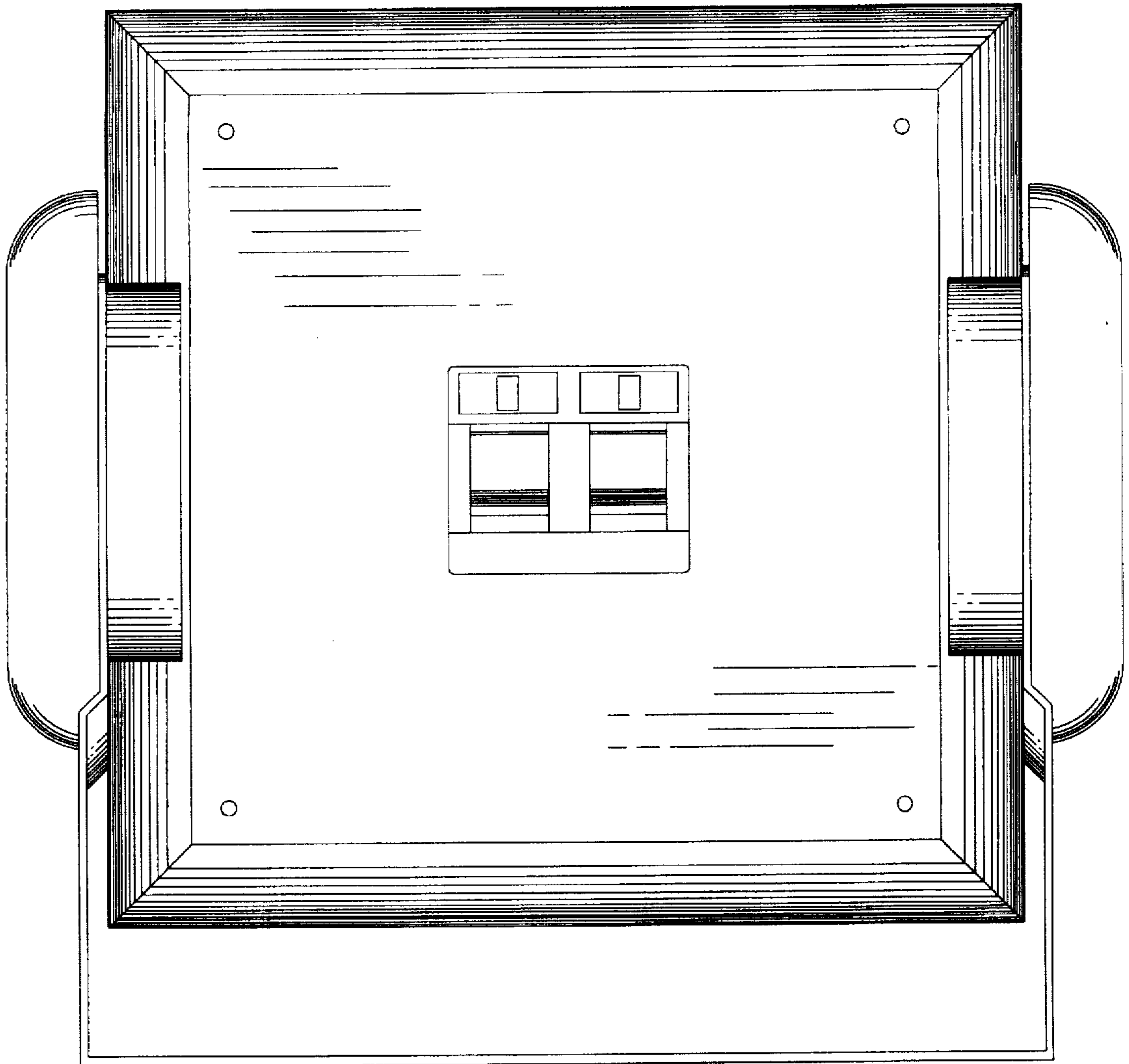


FIG 4

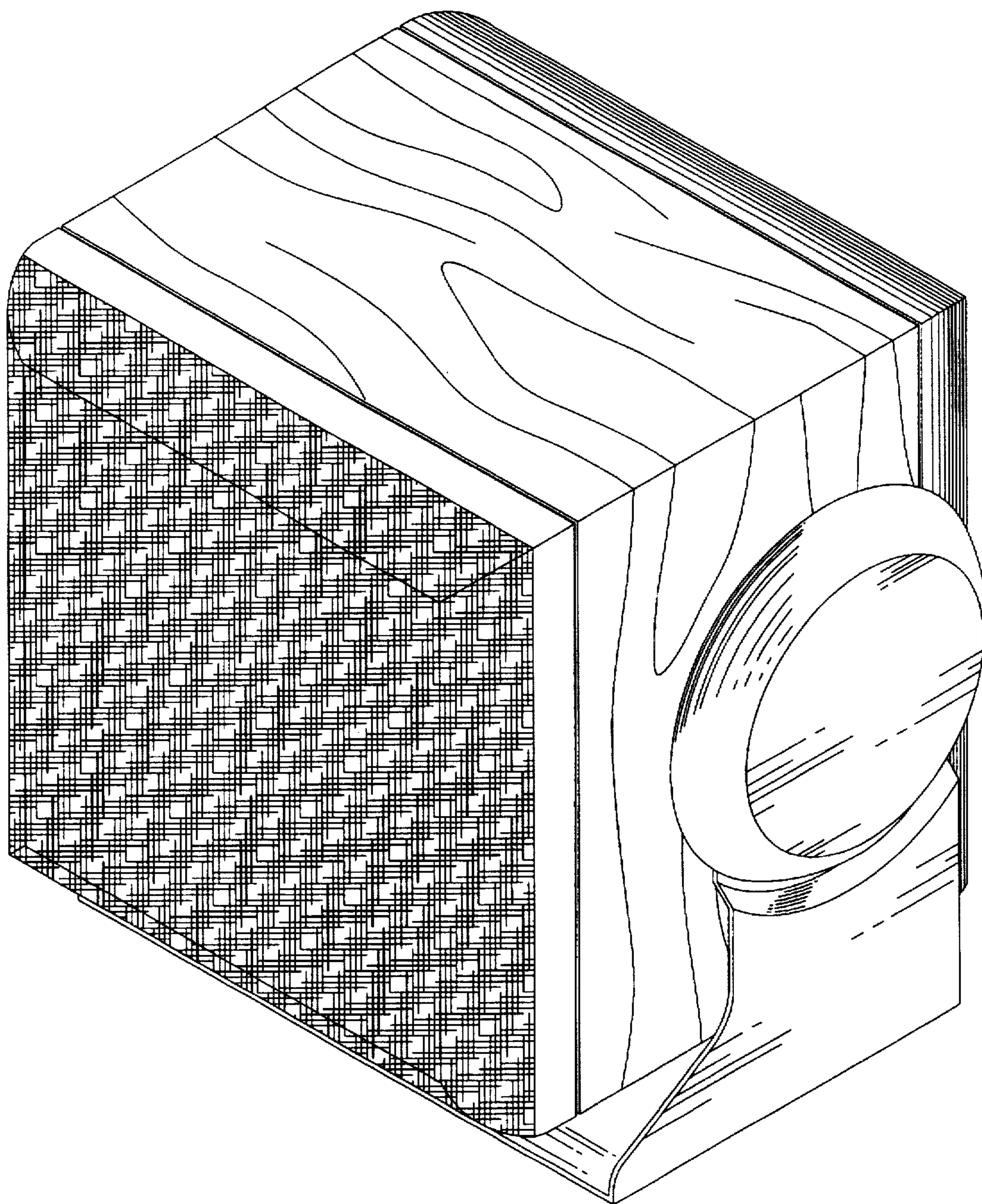


FIG 5