

US00D394657S

# United States Patent [19] Cheng

[11] Patent Number: **Des. 394,657**  
[45] Date of Patent: **\*\*May 26, 1998**

[54] **TRAVELLER ANALOGUE ALARM CLOCK RADIO**

[75] Inventor: **George Fui Wo Cheng, Hong Kong, Hong Kong**

[73] Assignee: **Tomor Electronics Ltd., Hong Kong, Hong Kong**

[\*\*] Term: **14 Years**

[21] Appl. No.: **60,887**

[22] Filed: **Oct. 9, 1996**

[51] LOC (6) Cl. .... **14-01**

[52] U.S. Cl. .... **D14/170; D14/171**

[58] Field of Search ..... **D10/1, 2, 15; D14/124, D14/169-171, 188, 193-198; 455/343, 344, 347, 350, 351; 368/10**

### [56] References Cited

#### U.S. PATENT DOCUMENTS

D. 224,156	7/1972	Hunter	.....	D14/195
D. 344,727	3/1994	Zeller	.....	D14/171
D. 366,215	1/1996	George et al.	.....	D10/15 X
D. 371,363	7/1996	Tejima	.....	D14/193
D. 373,357	9/1996	Wong	.....	D14/170
D. 374,009	9/1996	George	.....	D14/171

#### OTHER PUBLICATIONS

Signature catalog, small Wonder, AM/FM clock radio 1989.

Primary Examiner—Ted Shooman  
Assistant Examiner—Nanda Bondade

Attorney, Agent, or Firm—Ladas & Parry

### [57] CLAIM

The ornamental design for traveller analogue alarm clock radio, as shown and described.

### DESCRIPTION

FIG. 1 is a front elevational view of a traveller analogue alarm clock radio showing my new design in a closed condition;

FIG. 2 is a right side elevational view thereof in the closed condition of FIG. 1;

FIG. 3 is a left side elevational view thereof in the closed condition of FIG. 1;

FIG. 4 is a top plan view thereof in the closed condition of FIG. 1;

FIG. 5 is a bottom plan view thereof in the closed condition of FIG. 1;

FIG. 6 is a front elevational view thereof in an open condition, which also shows the rear elevational view in the closed condition;

FIG. 7 is a rear elevational view thereof in the open condition of FIG. 6;

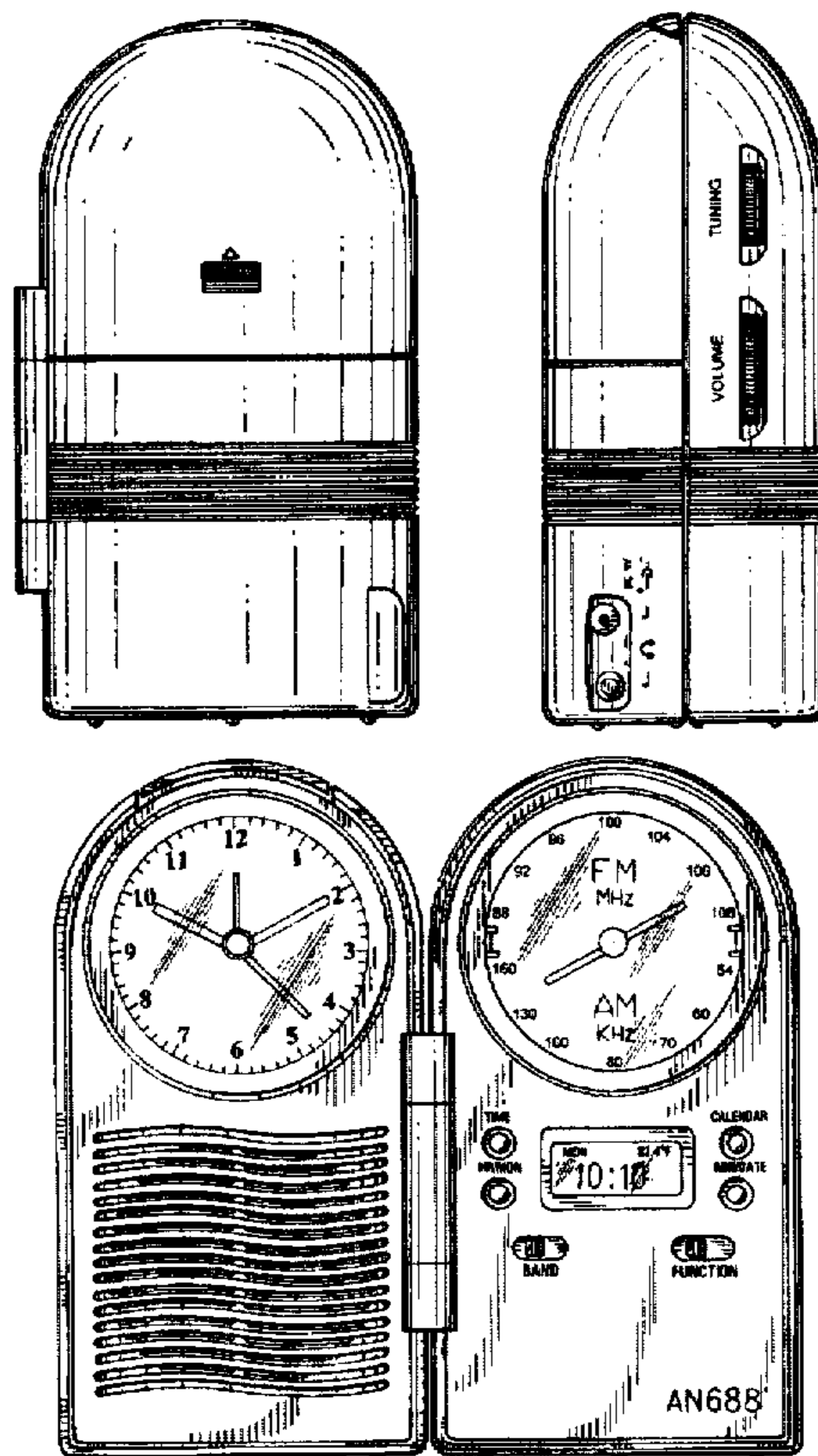
FIG. 8 is a bottom plan view thereof in the open condition of FIG. 6;

FIG. 9 is a top plan view thereof in the open condition of FIG. 6;

FIG. 10 is a right side elevational view in the open condition; and,

FIG. 11 is a left side elevational view in the open condition.

1 Claim, 7 Drawing Sheets



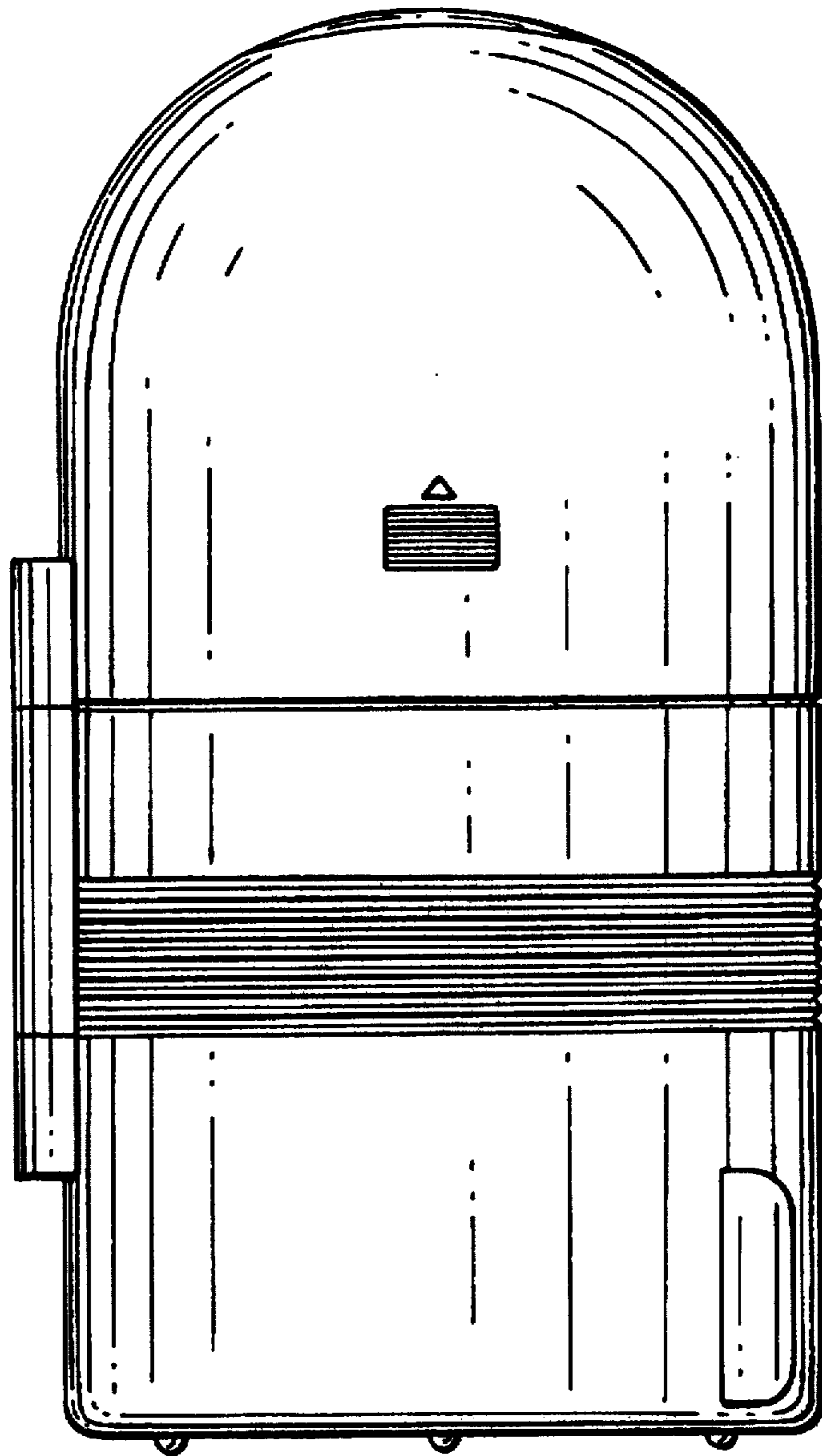


FIG. 1

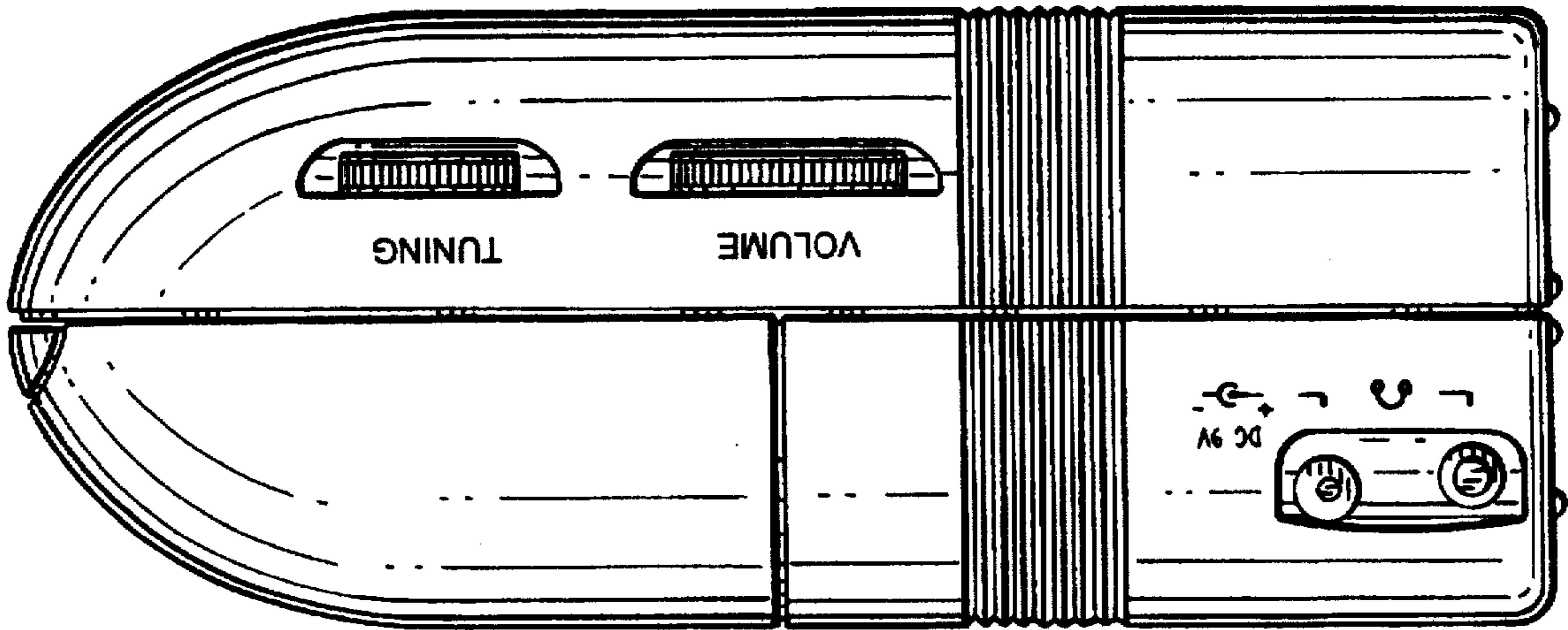


FIG. 2

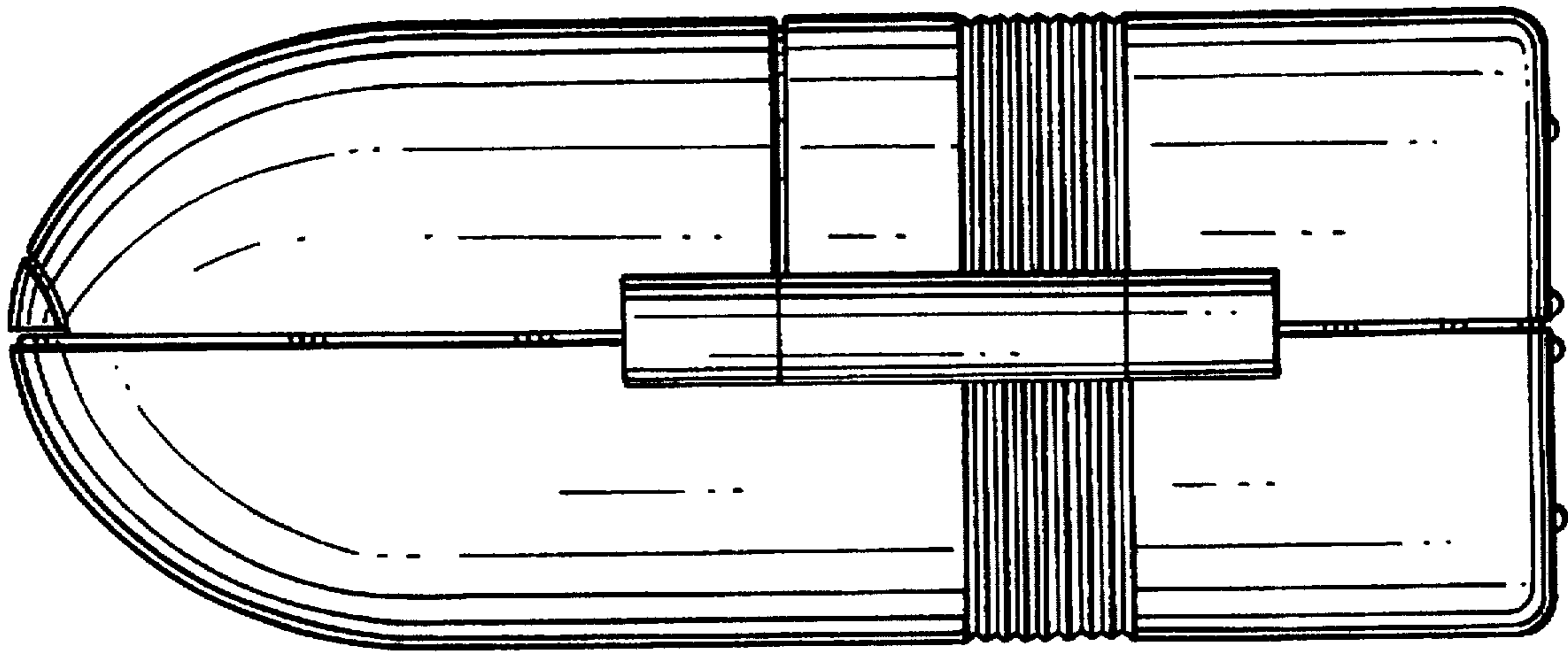


FIG. 3

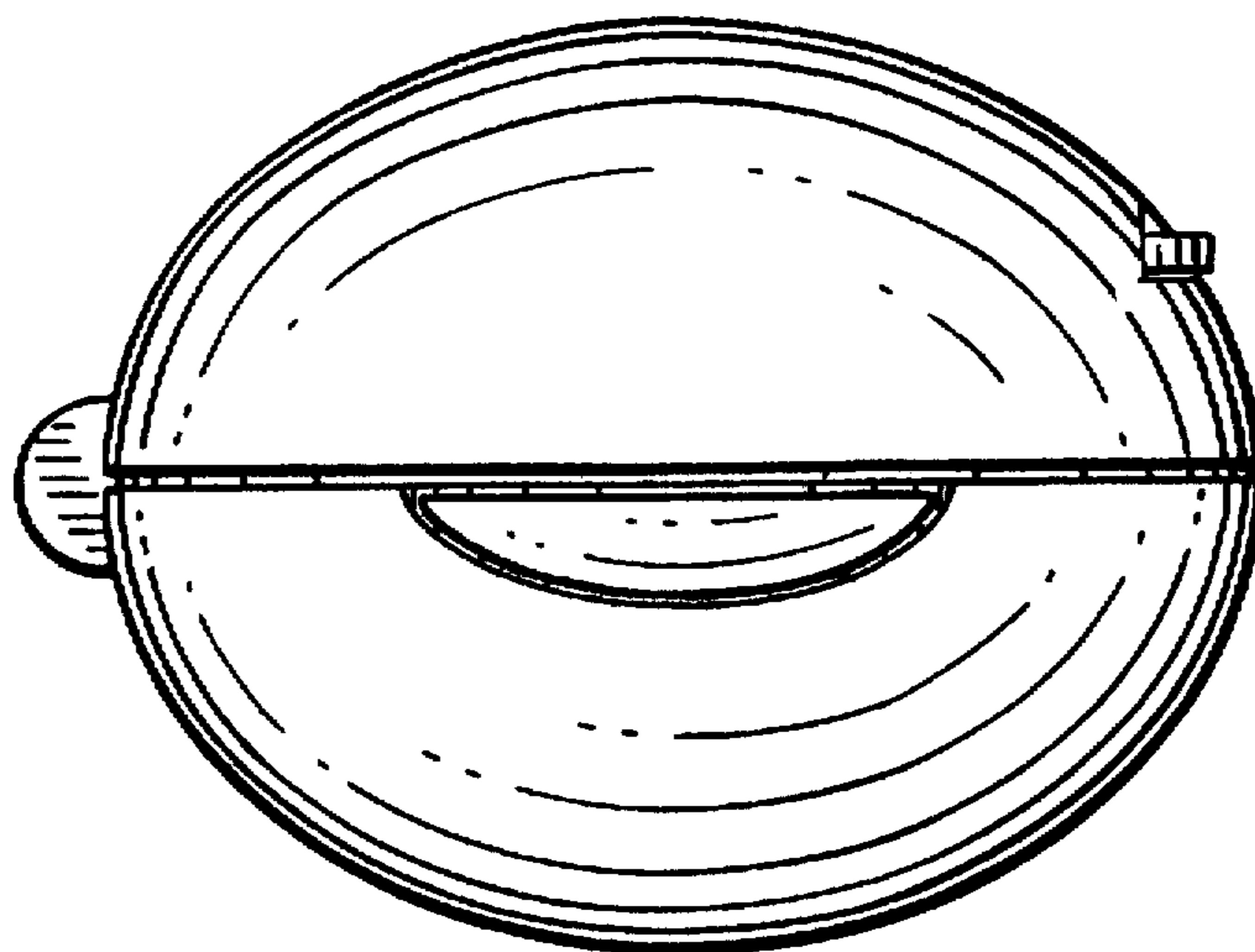


FIG. 4

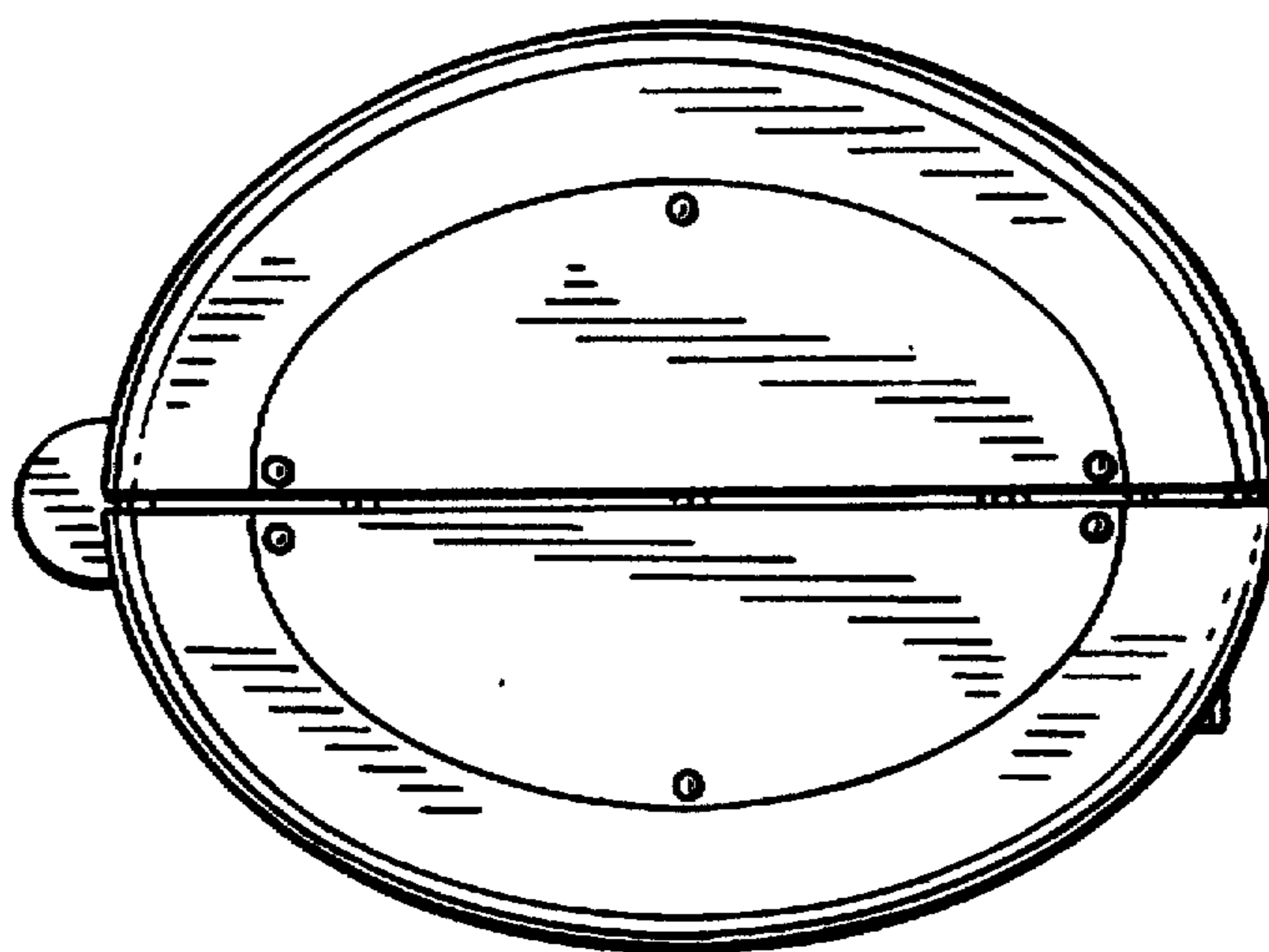


FIG. 5



FIG. 6

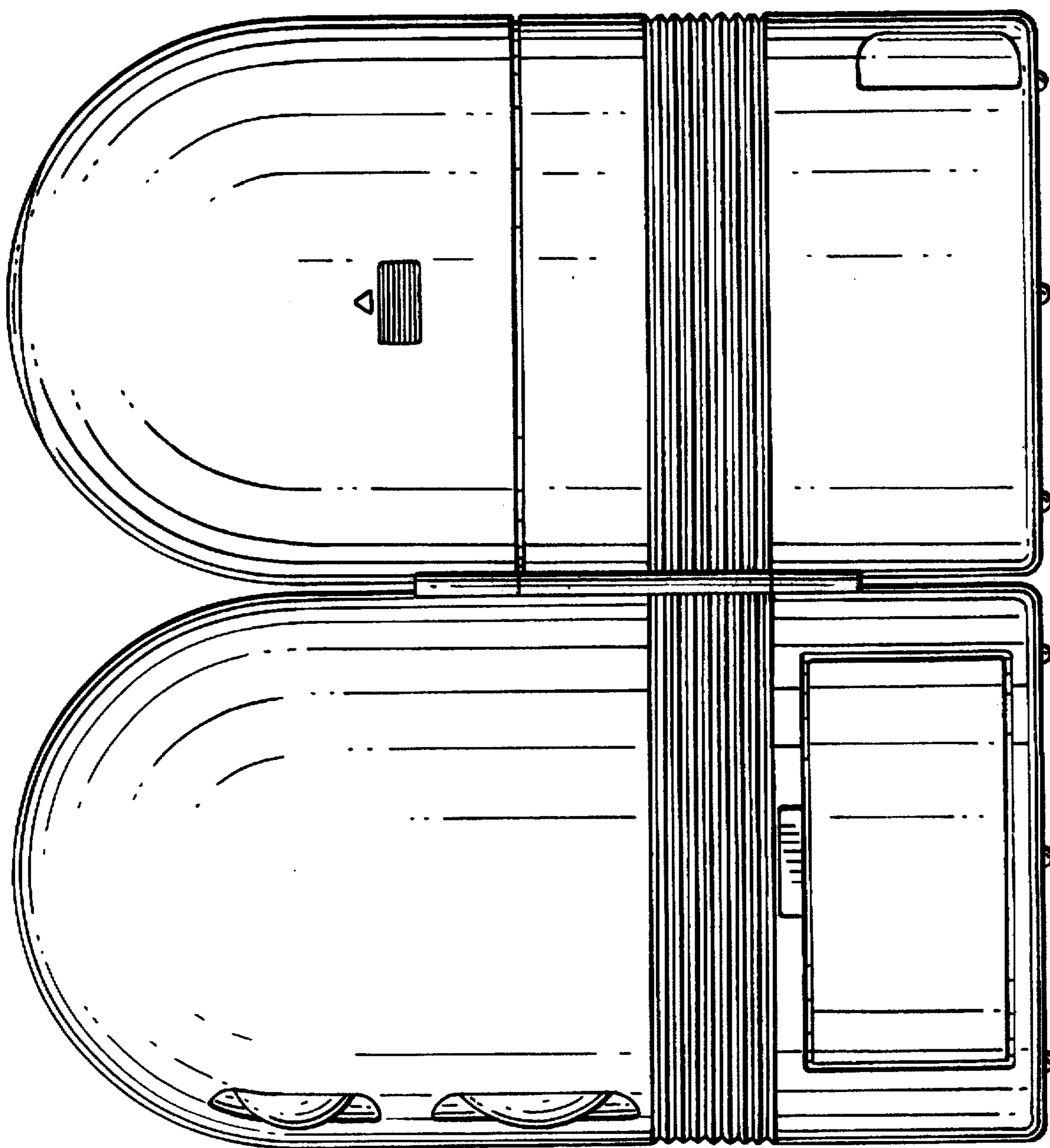
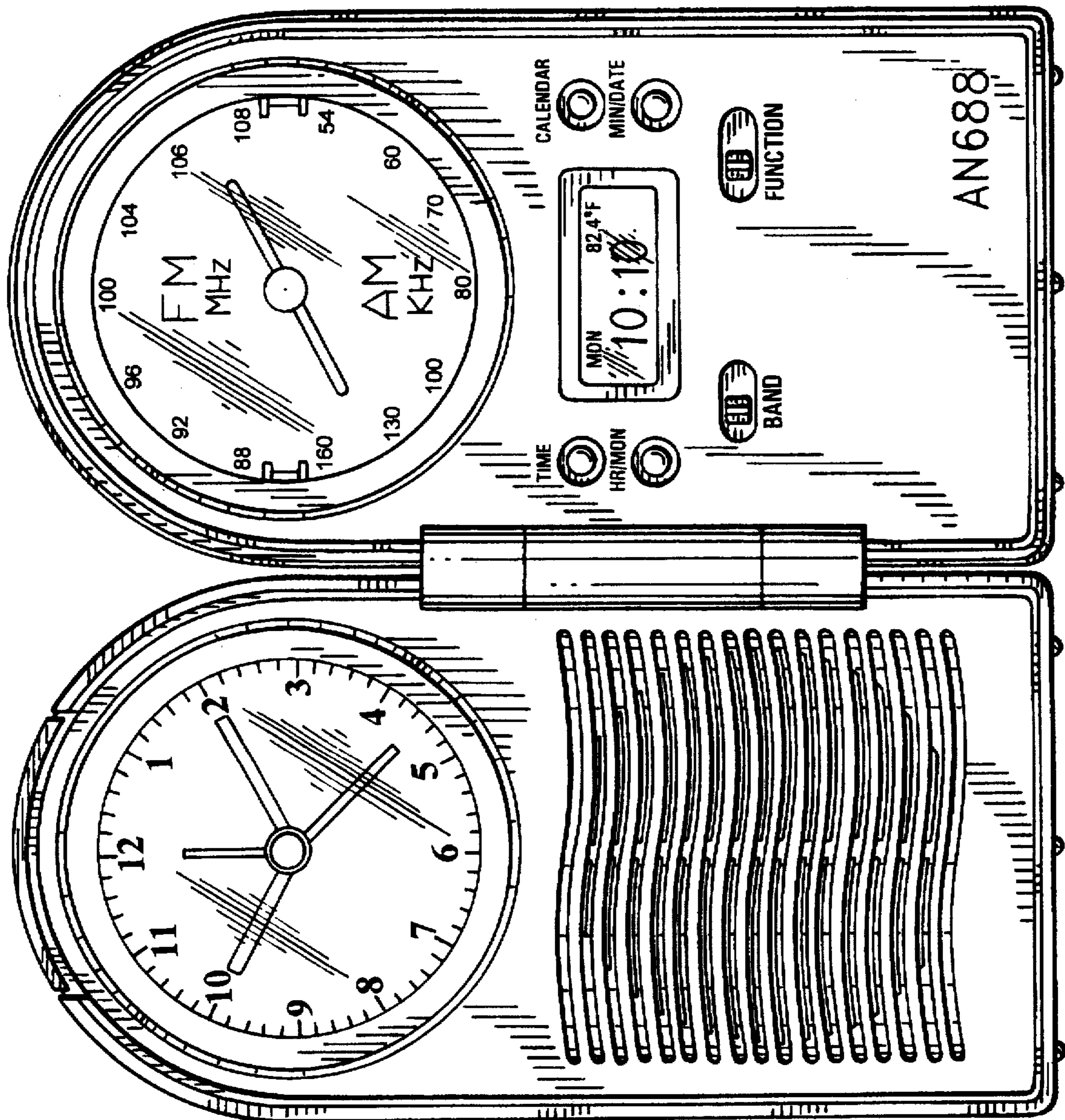


FIG. 7



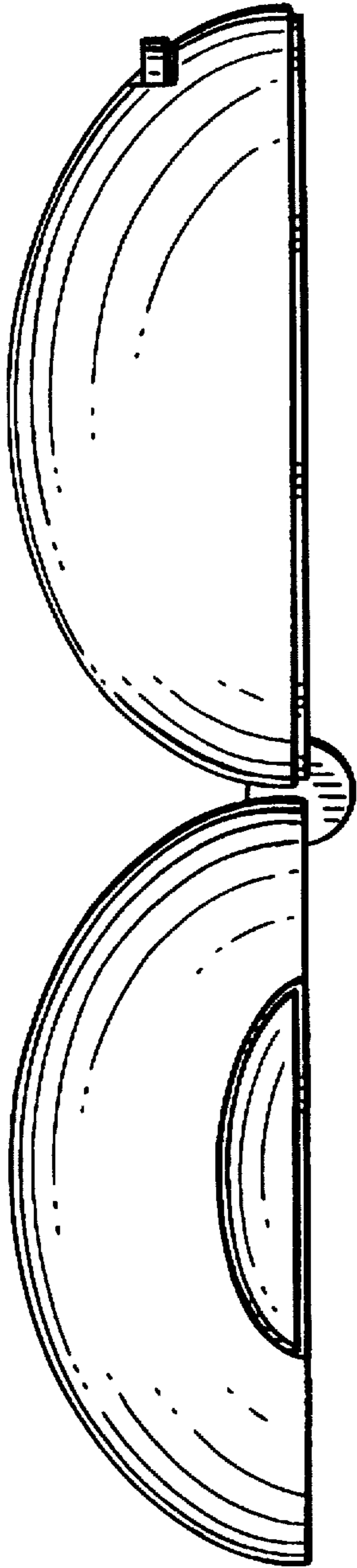


FIG. 9

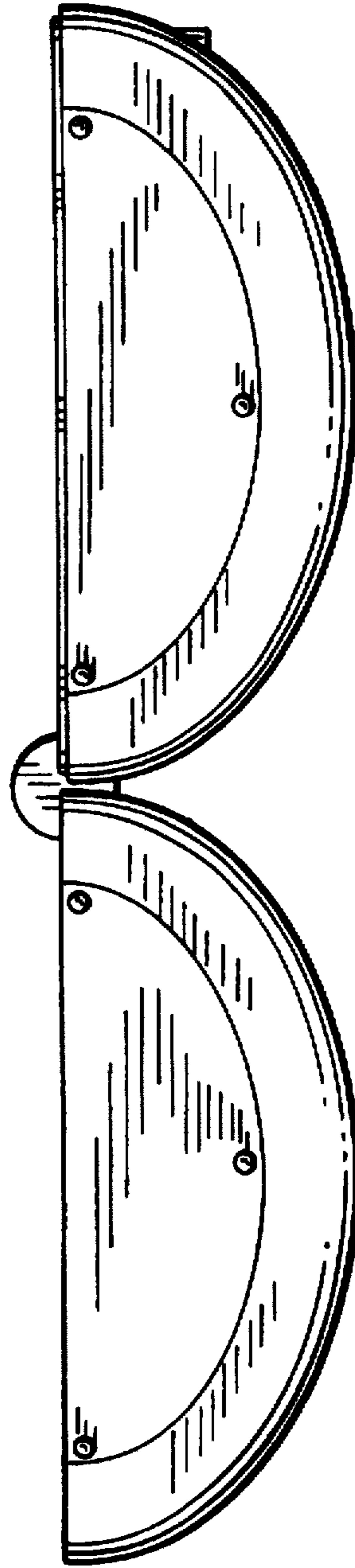


FIG. 8

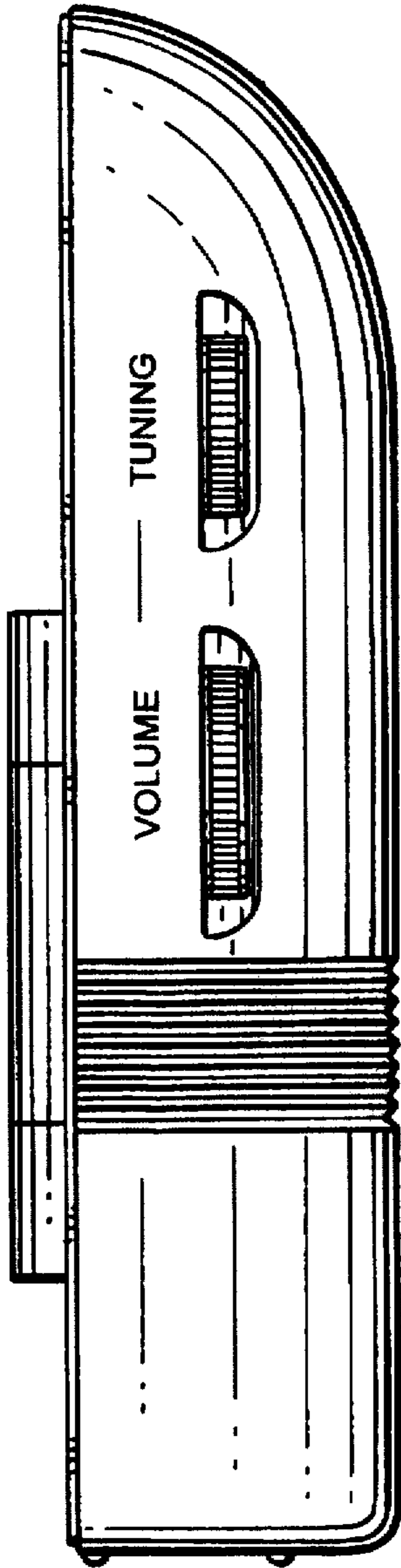


FIG. 10

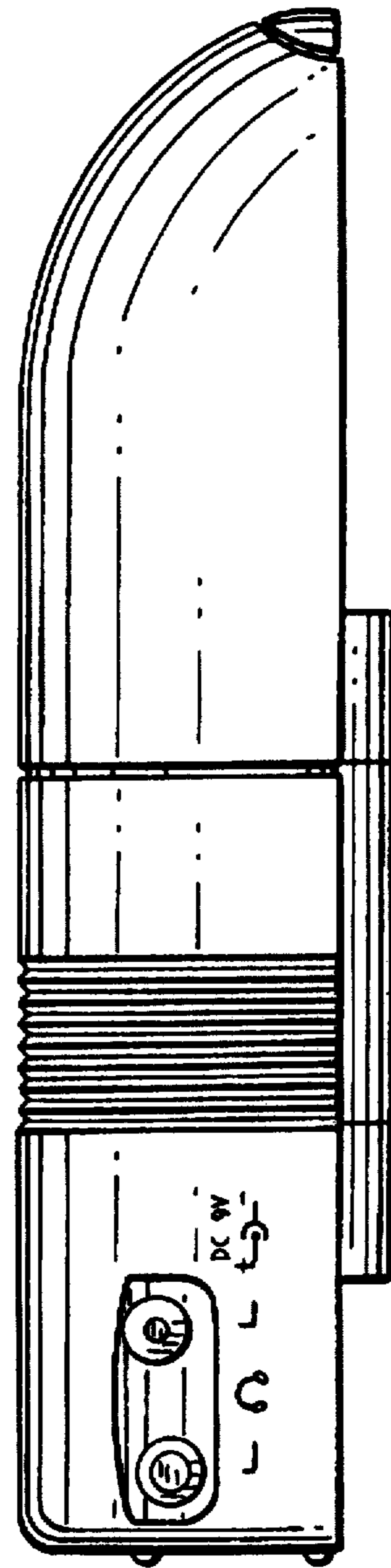


FIG. 11