

US00D394655S

United States Patent [19]
Niitsu

[11] **Patent Number: Des. 394,655**
[45] **Date of Patent: **May 26, 1998**

[54] **DISC PLAYER**

[75] **Inventor: Takuya Niitsu, Tokyo, Japan**

[73] **Assignee: Sony Corporation, Tokyo, Japan**

[**] **Term: 14 Years**

[21] **Appl. No.: 59,295**

[22] **Filed: Sep. 6, 1996**

[51] **LOC (6) Cl. 14-01**

[52] **U.S. Cl. D14/156; D14/136; D14/160**

[58] **Field of Search D14/107, 109,
D14/124, 135, 136, 156, 160, 239, 299;
386/125, 126; 369/75.1, 77.1**

[56] **References Cited**

U.S. PATENT DOCUMENTS

- D. 338,198 8/1993 Ogasawara D14/136
- D. 344,509 2/1994 Ryu D14/135
- D. 344,941 3/1994 Ogawa et al. D14/135

Primary Examiner—Ted Shooman
Assistant Examiner—Richelle Shelton
Attorney, Agent, or Firm—Foley & Lardner

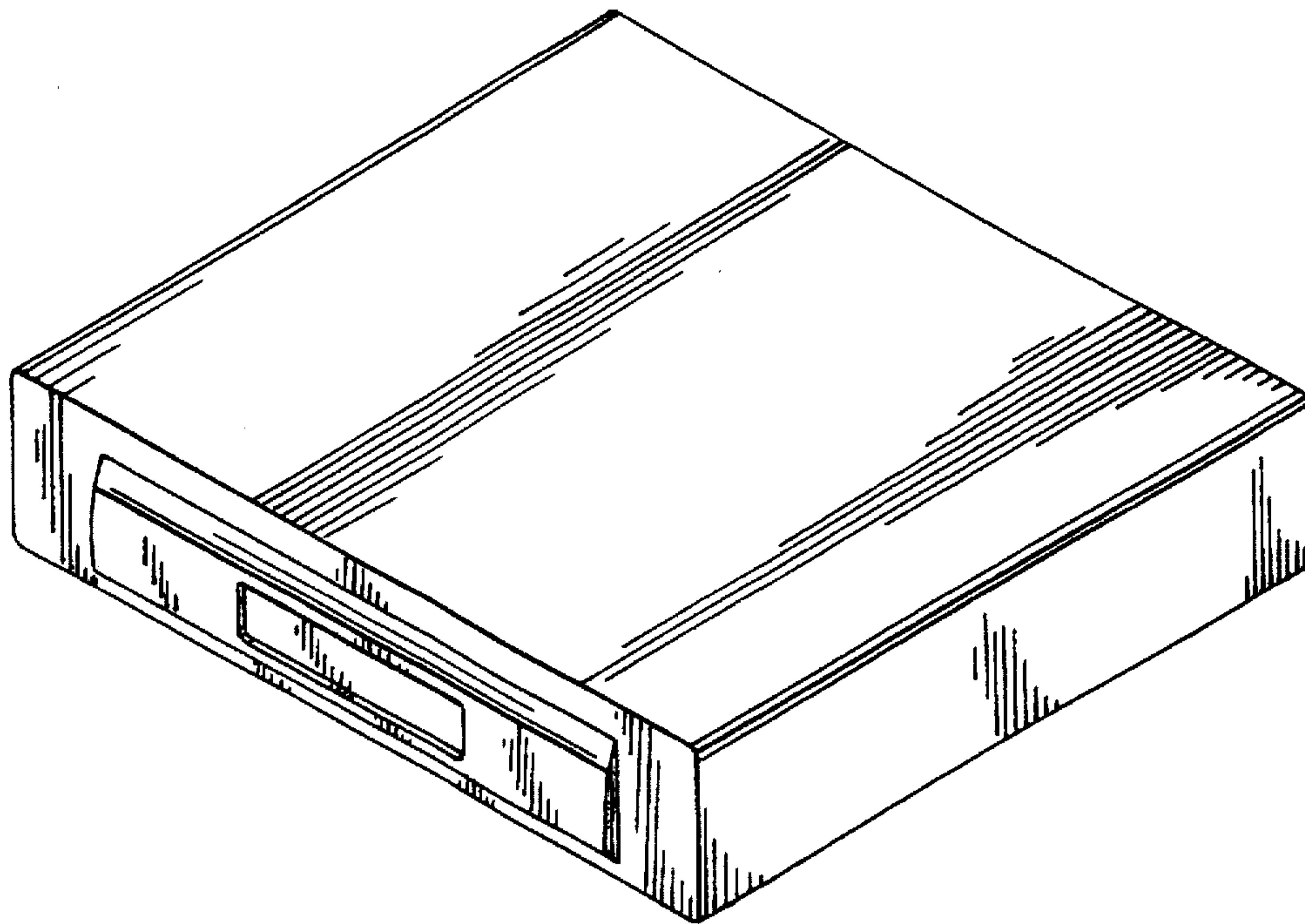
[57] **CLAIM**

The ornamental design for a disc player, as shown and described.

DESCRIPTION

FIG. 1 is a perspective view of a disc player showing my new design;
FIG. 2 is a perspective view of the disc player in the open position, the disc tray and interior are shown for illustrative purposes only and form no part of the claimed design;
FIG. 3 is a top plan view of FIG. 1;
FIG. 4 is a left side elevational view thereof;
FIG. 5 is a front elevational view thereof;
FIG. 6 is a bottom plan view thereof;
FIG. 7 is a right side elevational view thereof; and,
FIG. 8 is a rear elevational view thereof.

1 Claim, 3 Drawing Sheets



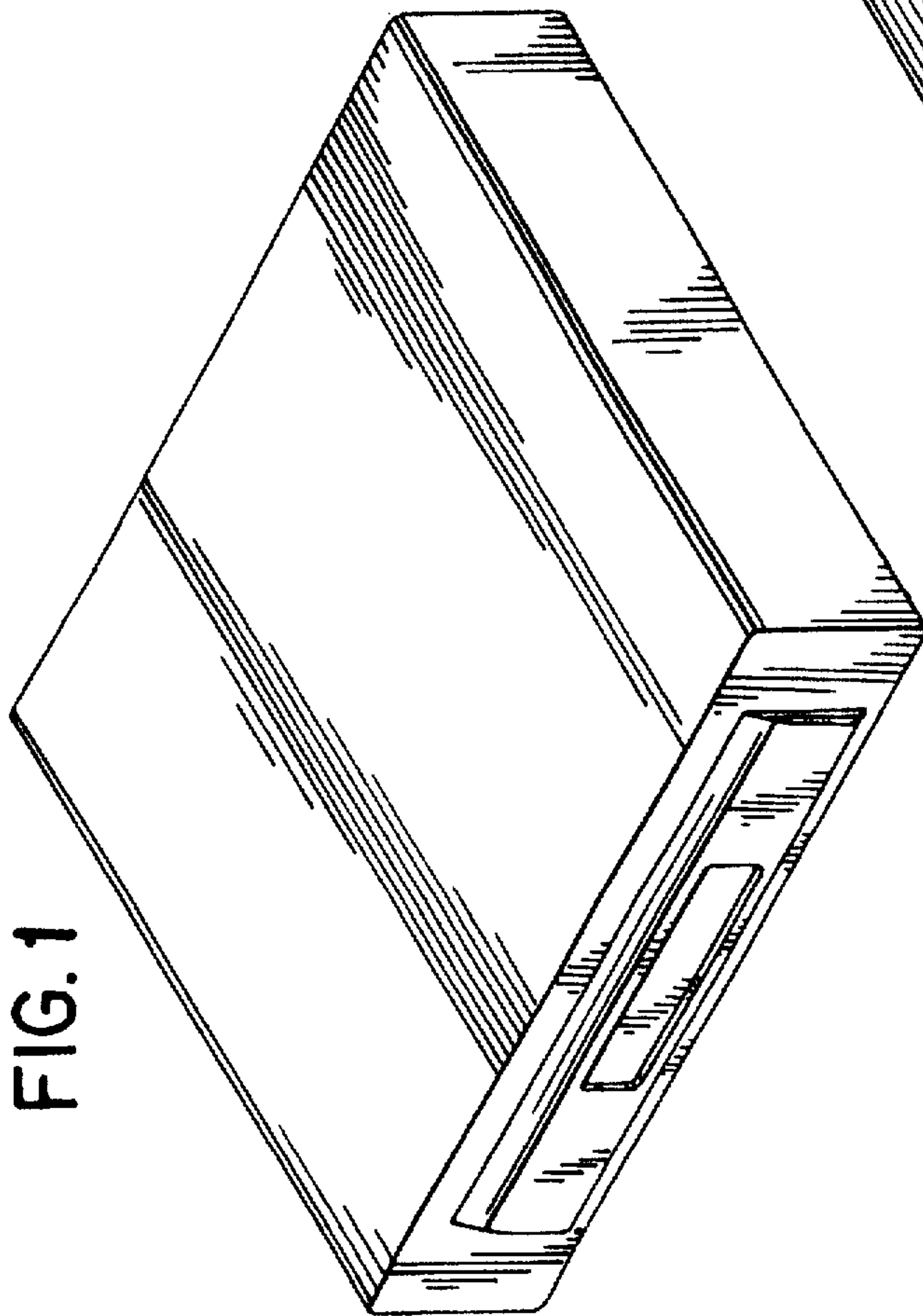


FIG. 1

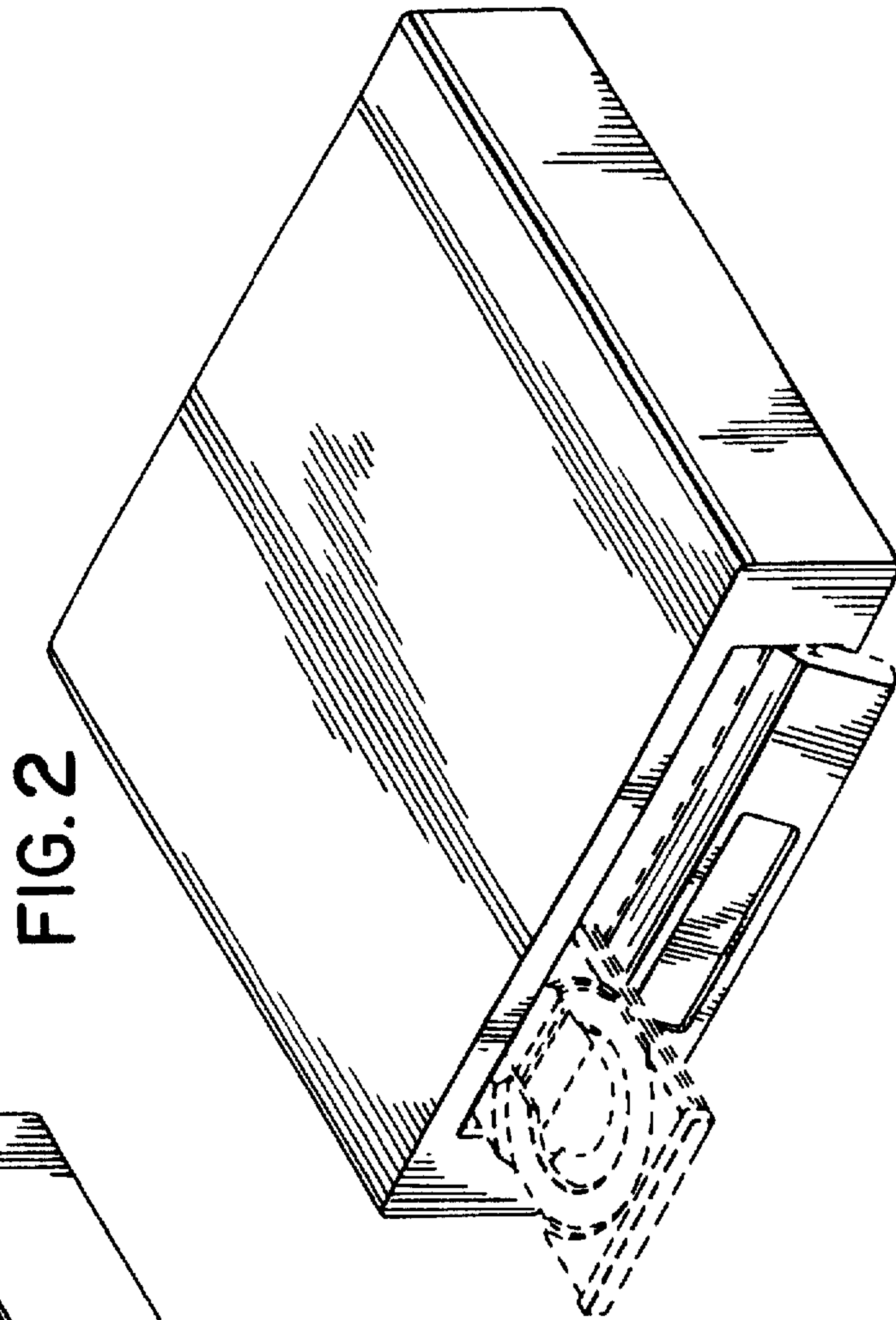


FIG. 2

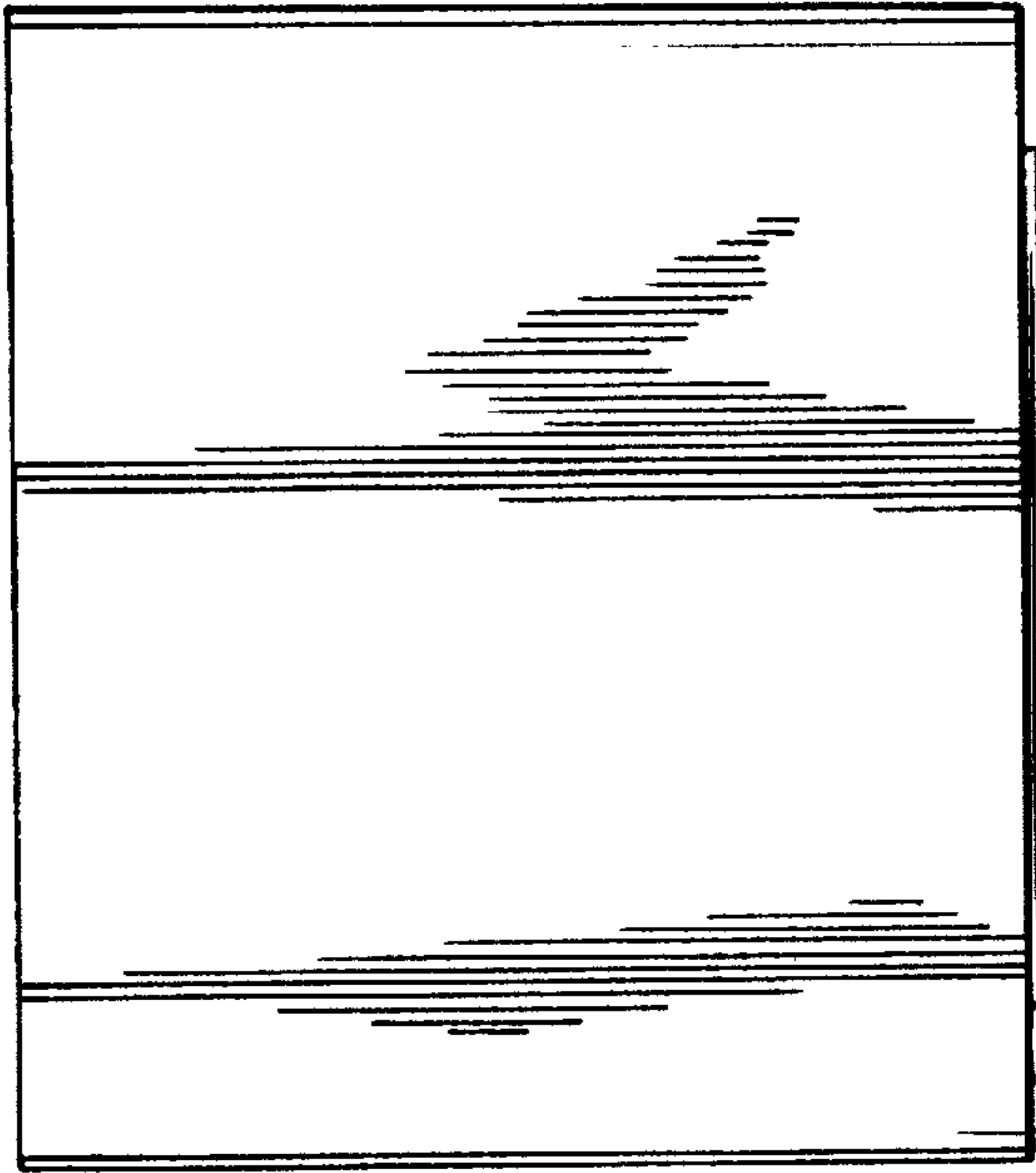


FIG. 3

FIG. 5

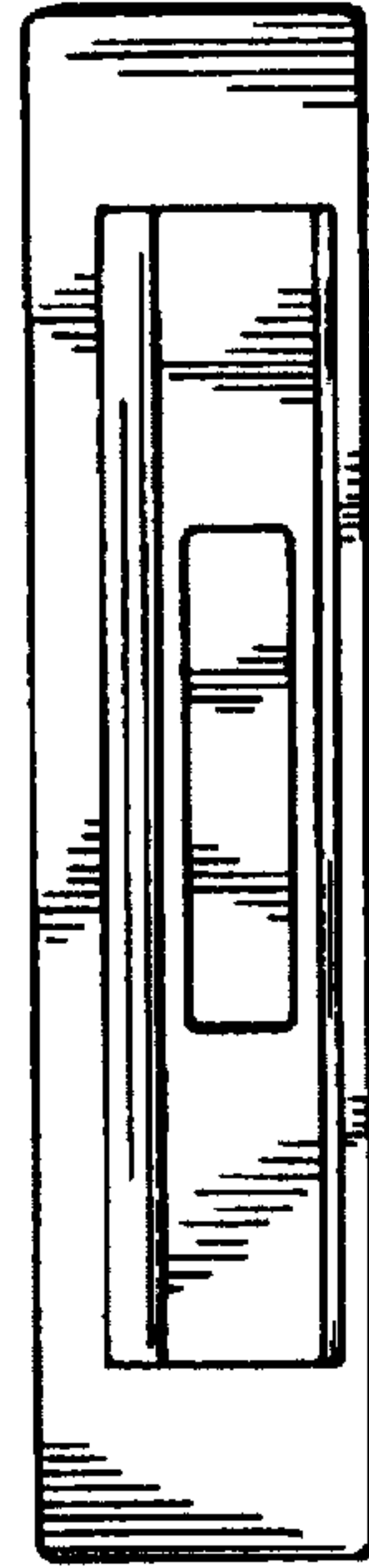
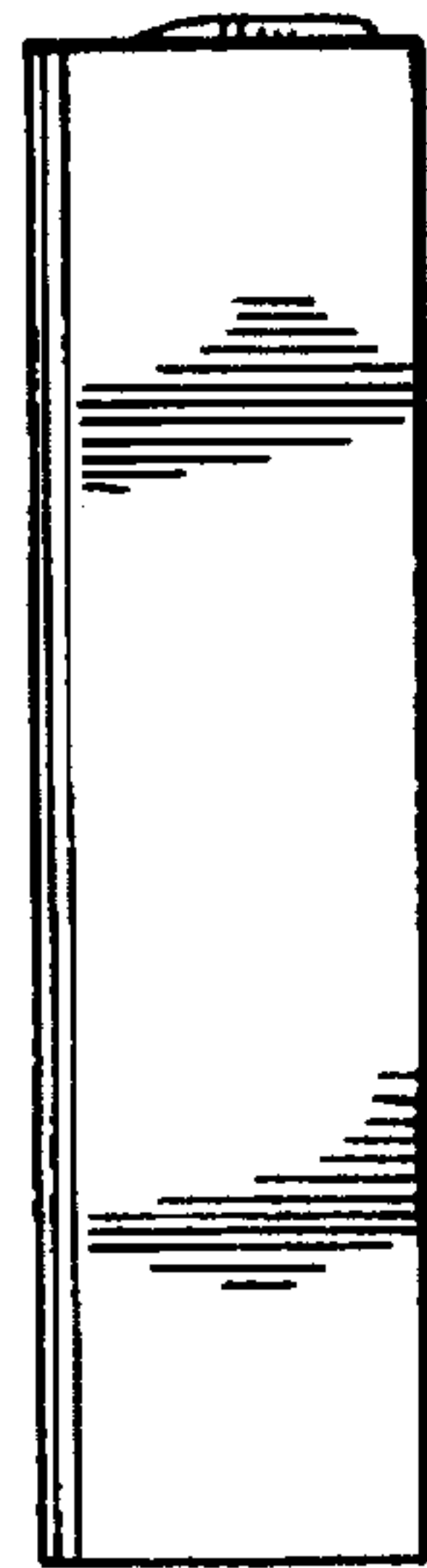


FIG. 4



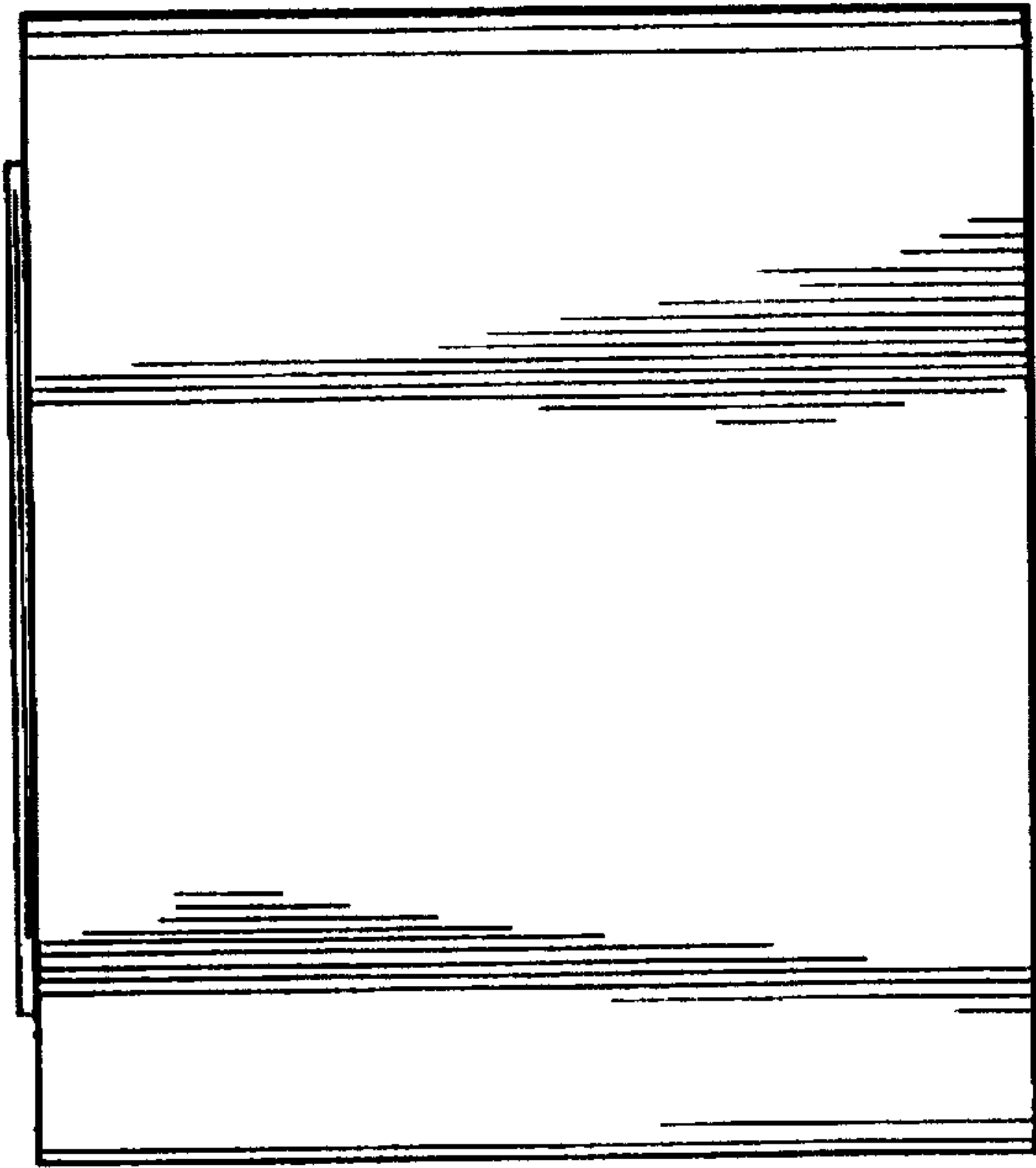


FIG. 6

FIG. 8



FIG. 7

