



US00D394641S

**United States Patent** [19]  
**Seragnoli**

[11] **Patent Number: Des. 394,641**  
[45] **Date of Patent: \*\*May 26, 1998**

[54] **BATTERY CHARGER**

[75] **Inventor: Giordano Seragnoli, Agrate Brianza, Italy**

[73] **Assignee: SGS-Thomson Microelectronics, S.r.l., Varese, Italy**

[\*\*] **Term: 14 Years**

[21] **Appl. No.: 43,843**

[22] **Filed: Sep. 8, 1995**

[30] **Foreign Application Priority Data**

Jun. 29, 1995 [WO] WIPO ..... DM/033374

[51] **LOC (6) Cl. .... 13-02**

[52] **U.S. Cl. .... D13/108**

[58] **Field of Search .... D13/109, 108, D13/110; D14/149, 251; 320/2, 3, 4, 15; 336/92, 107; 363/146**

[56] **References Cited**

**U.S. PATENT DOCUMENTS**

Re. 28,499 7/1975 Flentge ..... 336/92  
D. 231,540 4/1974 Muller et al. .... D13/110  
D. 334,733 4/1993 Morgan et al. .... D13/110

D. 338,188 8/1993 Lee et al. .... D13/110  
D. 349,273 8/1994 Taylor ..... D13/108  
D. 357,224 4/1995 Nagele et al. .... D13/107  
3,996,546 12/1976 Hugly ..... 336/107  
4,028,654 6/1977 Bullard et al. .... 336/92  
4,205,291 5/1980 Flentge ..... 336/92

**OTHER PUBLICATIONS**

Battery chargers on p. 235 of Hong Kong Enterprise, Oct. 1989.

*Primary Examiner*—Joel Sincavage

*Attorney, Agent, or Firm*—Allen, Dyer, Doppelt, Milbrath & Gilchrist, P.A.

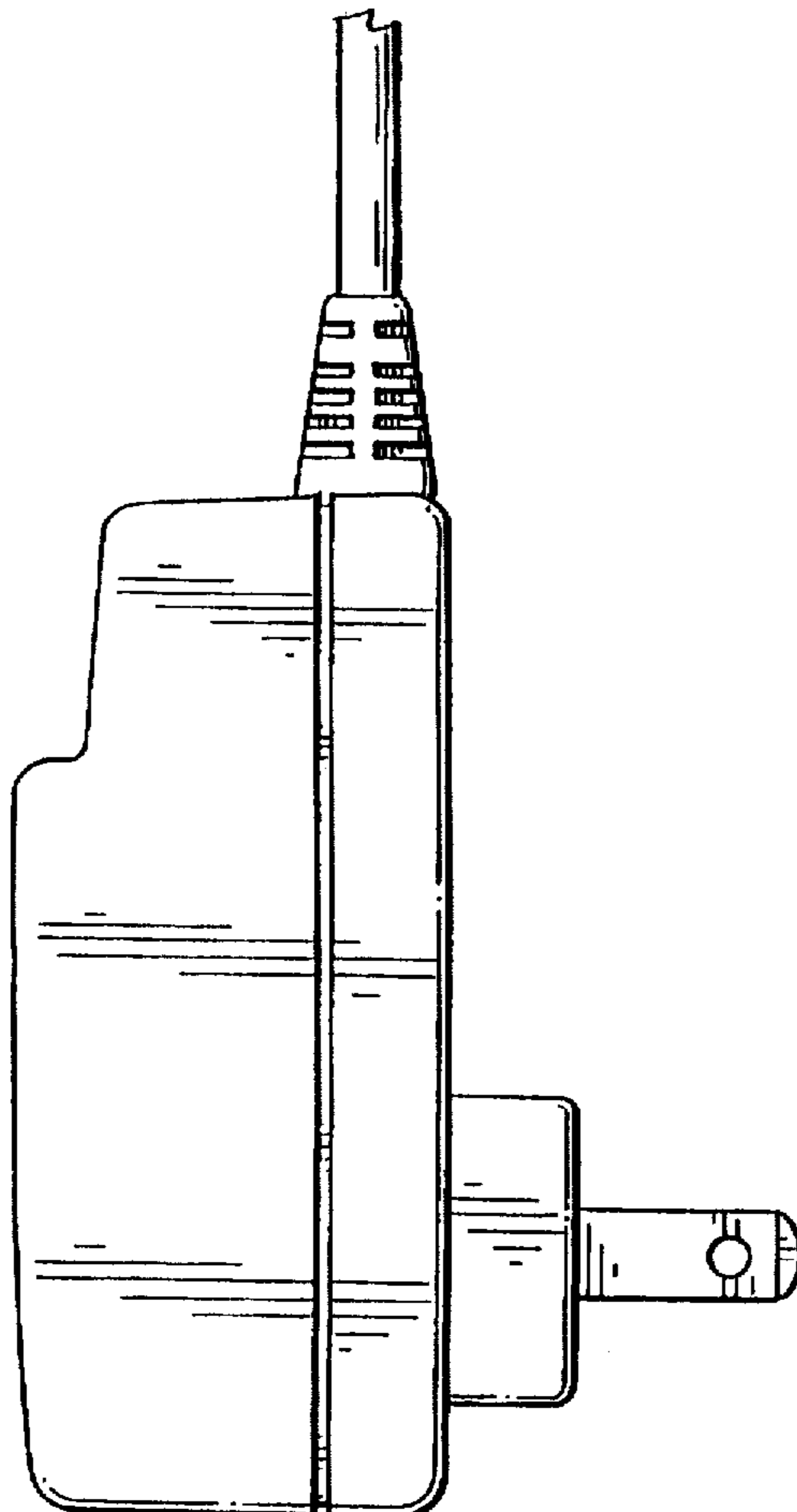
[57] **CLAIM**

The ornamental design for a battery charger, as shown and described.

**DESCRIPTION**

FIG. 1 is a right side view of the battery charger; FIG. 2 is a left side view of the battery charger; FIG. 3 is a back view of the battery charger; FIG. 4 is a front view of the battery charger; FIG. 5 is a top view of the battery charger; and, FIG. 6 is a bottom view of the battery charger.

**1 Claim, 3 Drawing Sheets**



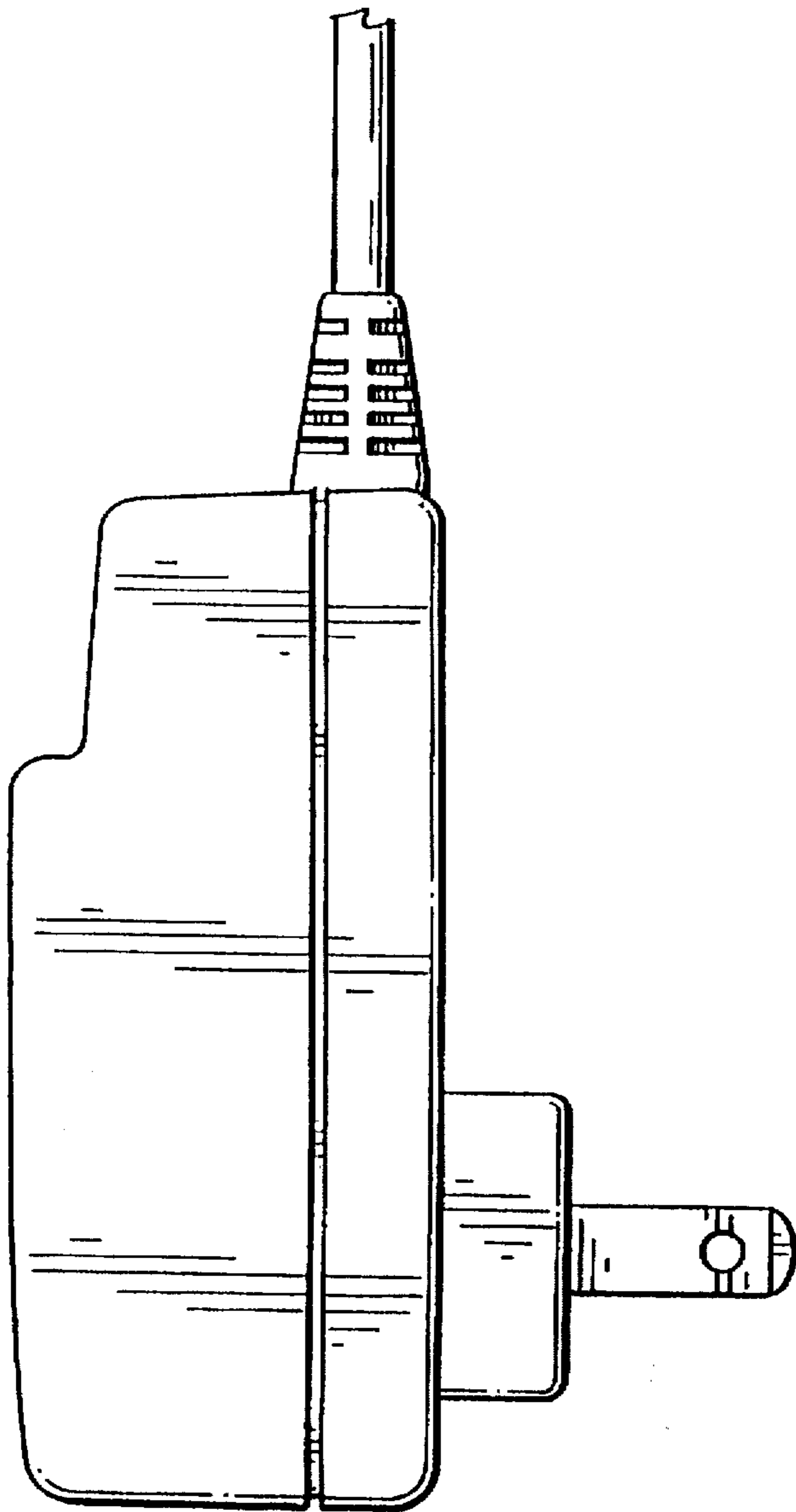


FIG. 1.

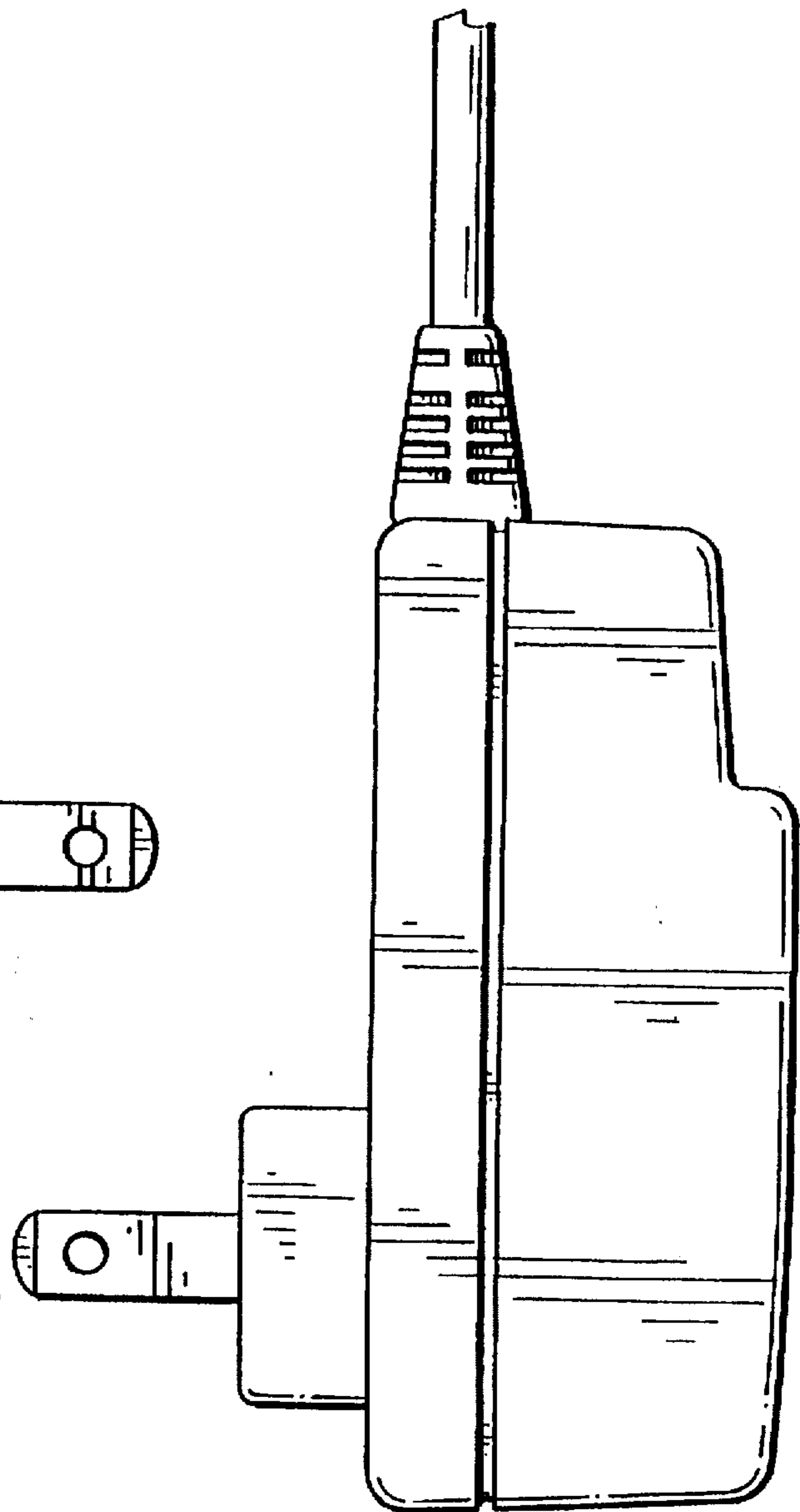


FIG. 2.

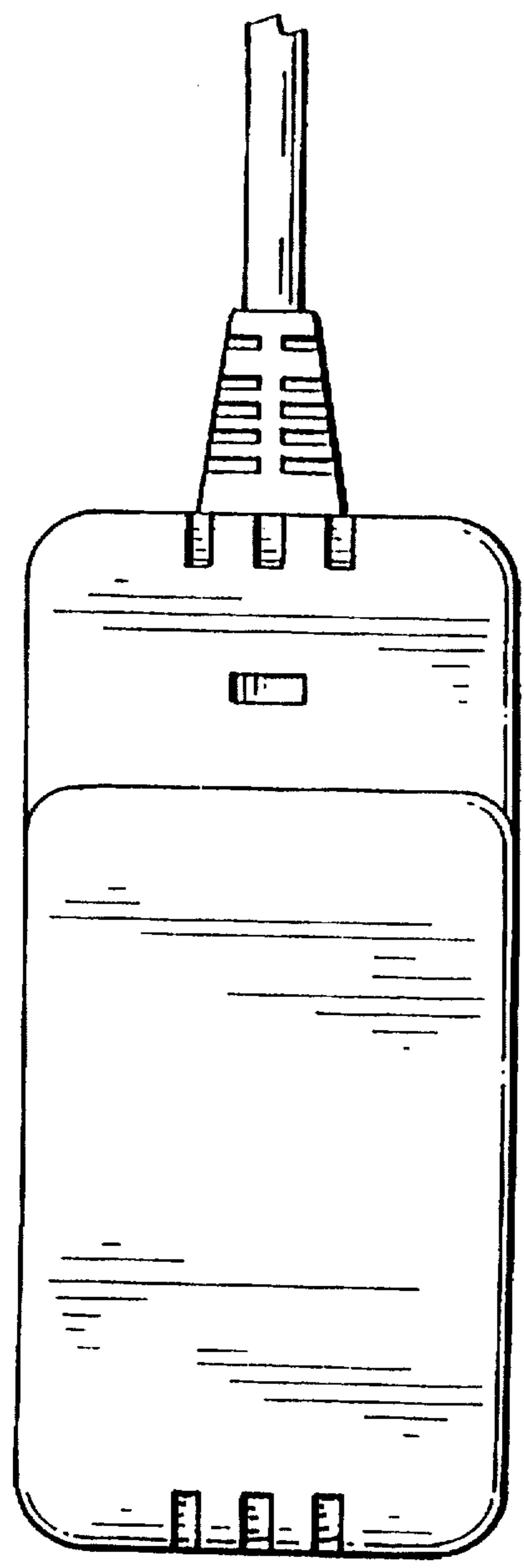


FIG. 3.

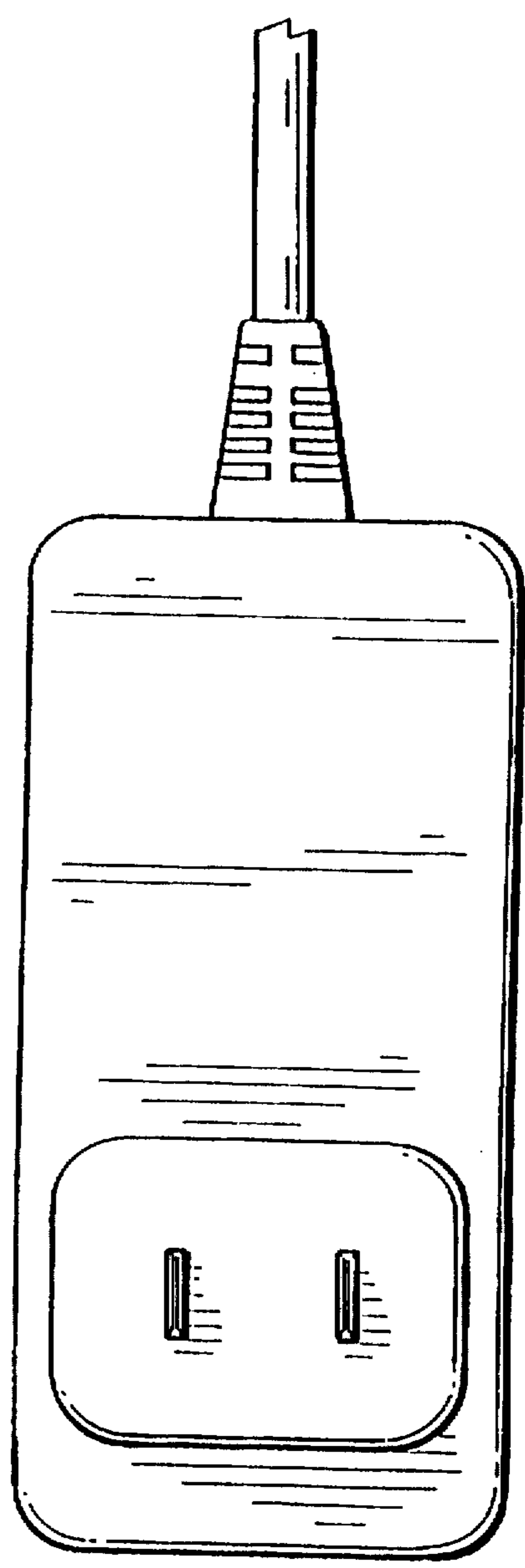


FIG. 4.

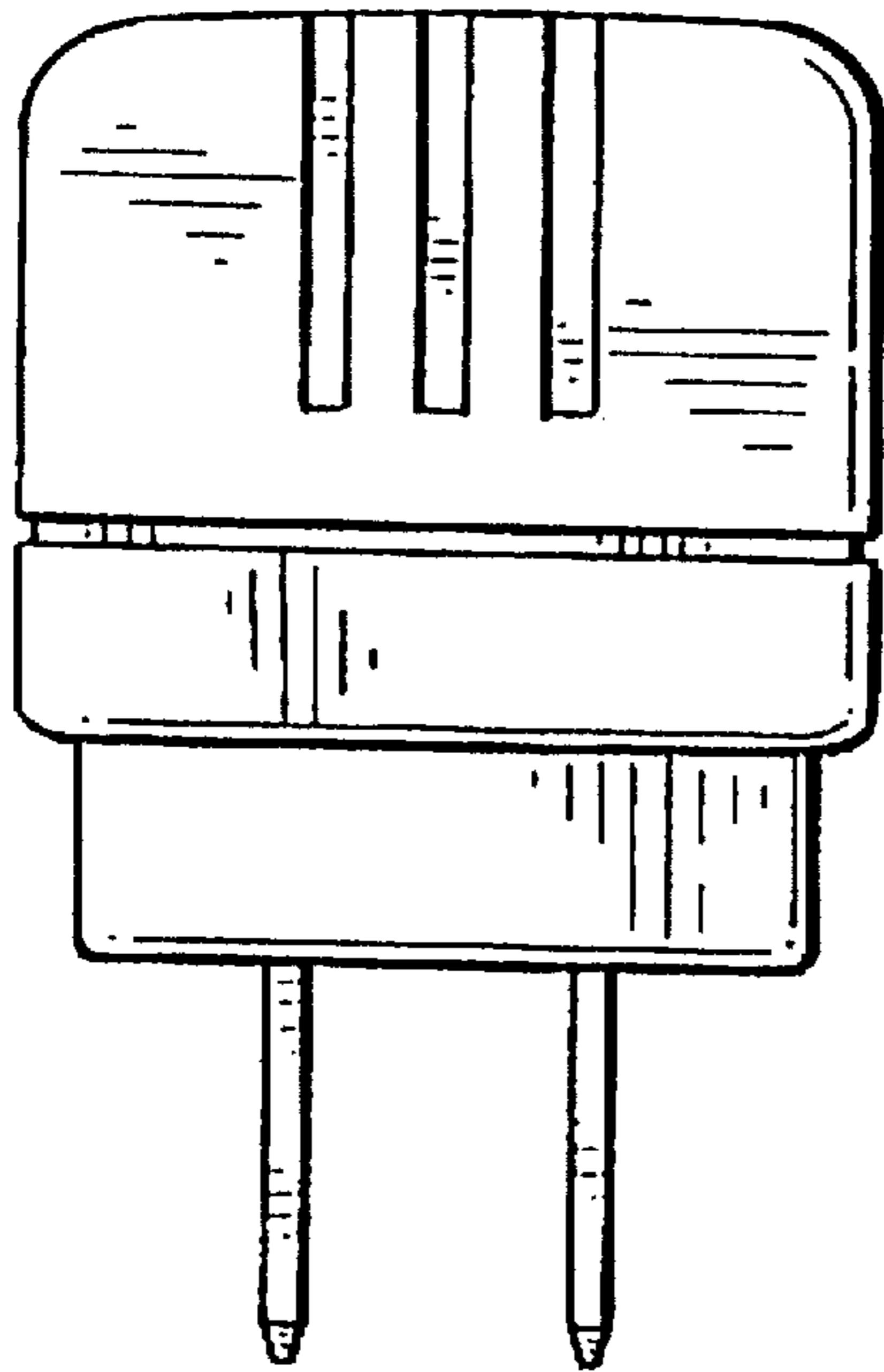


FIG. 5.

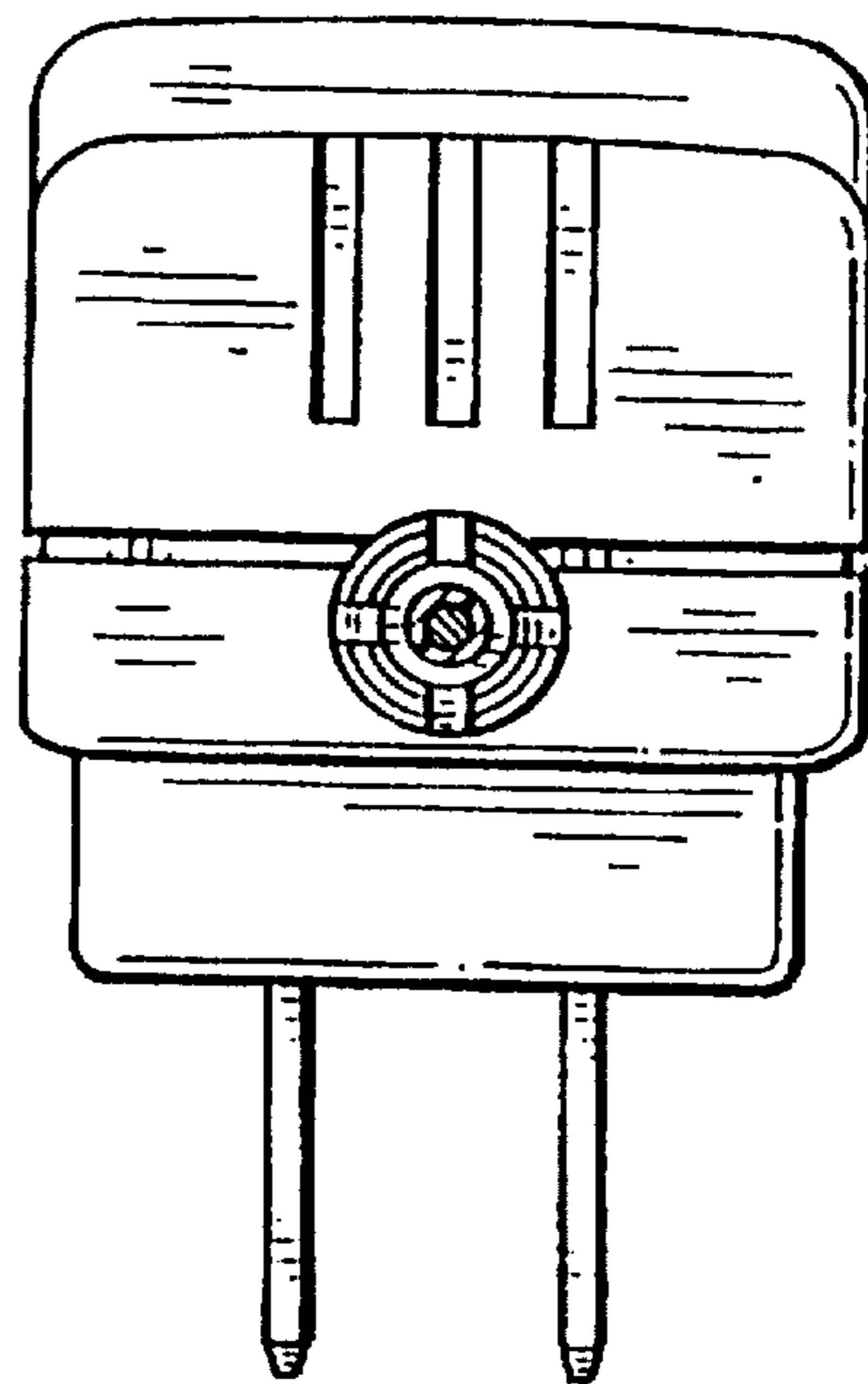


FIG. 6.

UNITED STATES PATENT AND TRADEMARK OFFICE  
**CERTIFICATE OF CORRECTION**

PATENT NO. : Des. 394,641  
DATED : May 26, 1998  
INVENTOR(S) : Giordano Seragnoli

It is certified that error appears in the above-identified patent and that said Letters Patent is hereby corrected as shown below:

On the title page;

[73] Assignee: Strike: " Varese "  
Insert: -- Agrate Brianza --

Signed and Sealed this  
Twelfth Day of January, 1999

Attest:



Attesting Officer

*Acting Commissioner of Patents and Trademarks*