



US00D394634S

United States Patent [19]
Schultz

[11] **Patent Number:** **Des. 394,634**
[45] **Date of Patent:** ****May 26, 1998**

[54] **DRAIN FOR BOAT COVERINGS**

[76] **Inventor:** **Donald F. Schultz, 377 E. 16th Pl. Unit A, Costa Mesa, Calif. 92627**

[**] **Term:** **14 Years**

[21] **Appl. No.:** **70,072**

[22] **Filed:** **Apr. 28, 1997**

[51] **LOC (6) Cl.** **12-06**

[52] **U.S. Cl.** **D12/318**

[58] **Field of Search** **D12/317, 318;**
..... **114/361, 222**

[56] **References Cited**

U.S. PATENT DOCUMENTS

D. 371,339 7/1996 Schultz D12/318
5,341,760 8/1994 Summers 114/361

Primary Examiner—Kay H. Chin
Attorney, Agent, or Firm—Roy A. Ekstrand

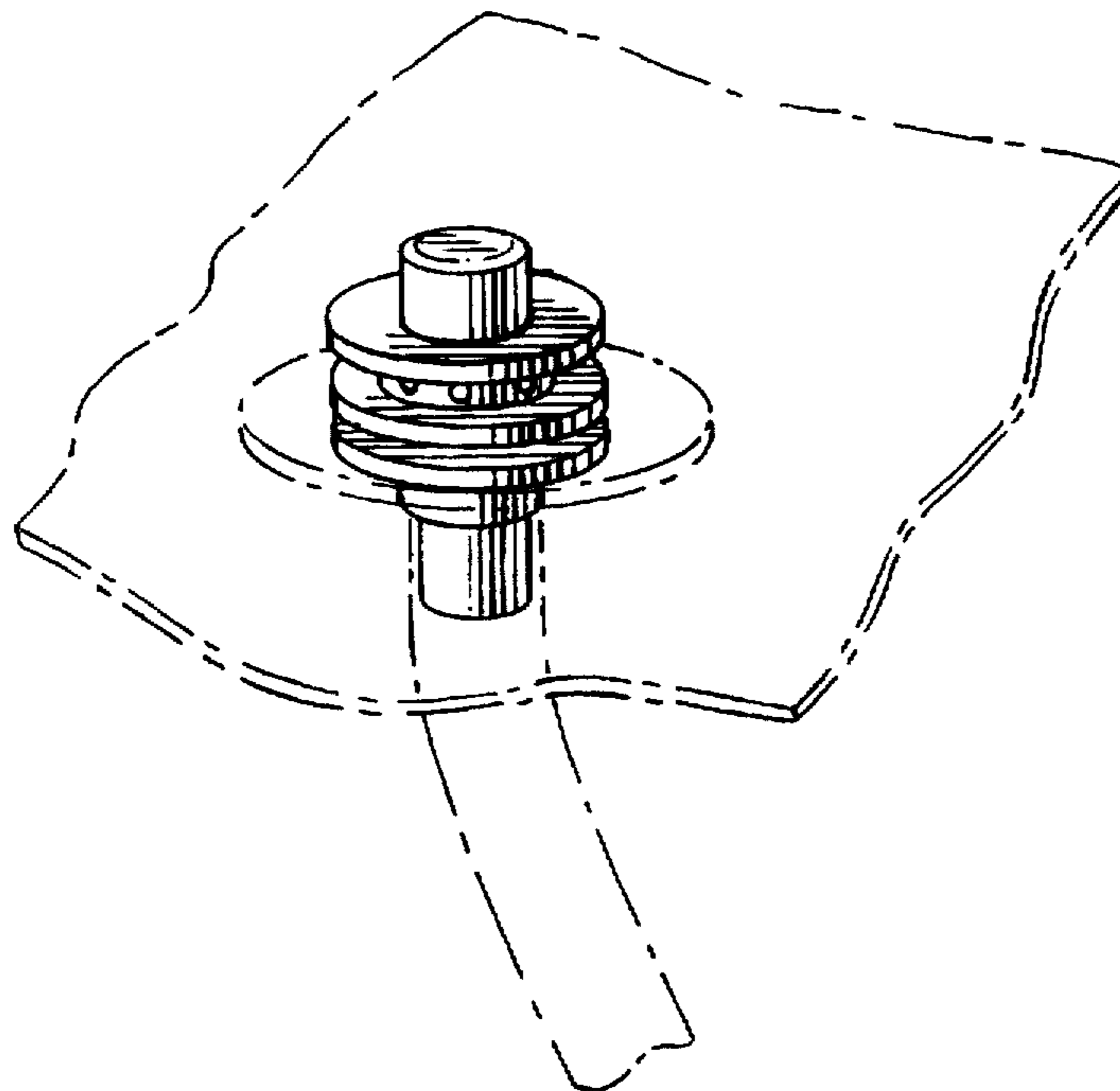
[57] **CLAIM**

The ornamental design for a drain for boat coverings, as shown and described.

DESCRIPTION

FIG. 1 is a top perspective view of a drain for boat coverings showing my new design, the broken lines are for illustrative purpose only and form no part of the claimed design; FIG. 2 is a right side view thereof, the left side being the same; FIG. 3 is a top view thereof; FIG. 4 is a bottom view thereof; FIG. 5 is a front view thereof; and, FIG. 6 is a rear view thereof.

1 Claim, 1 Drawing Sheet



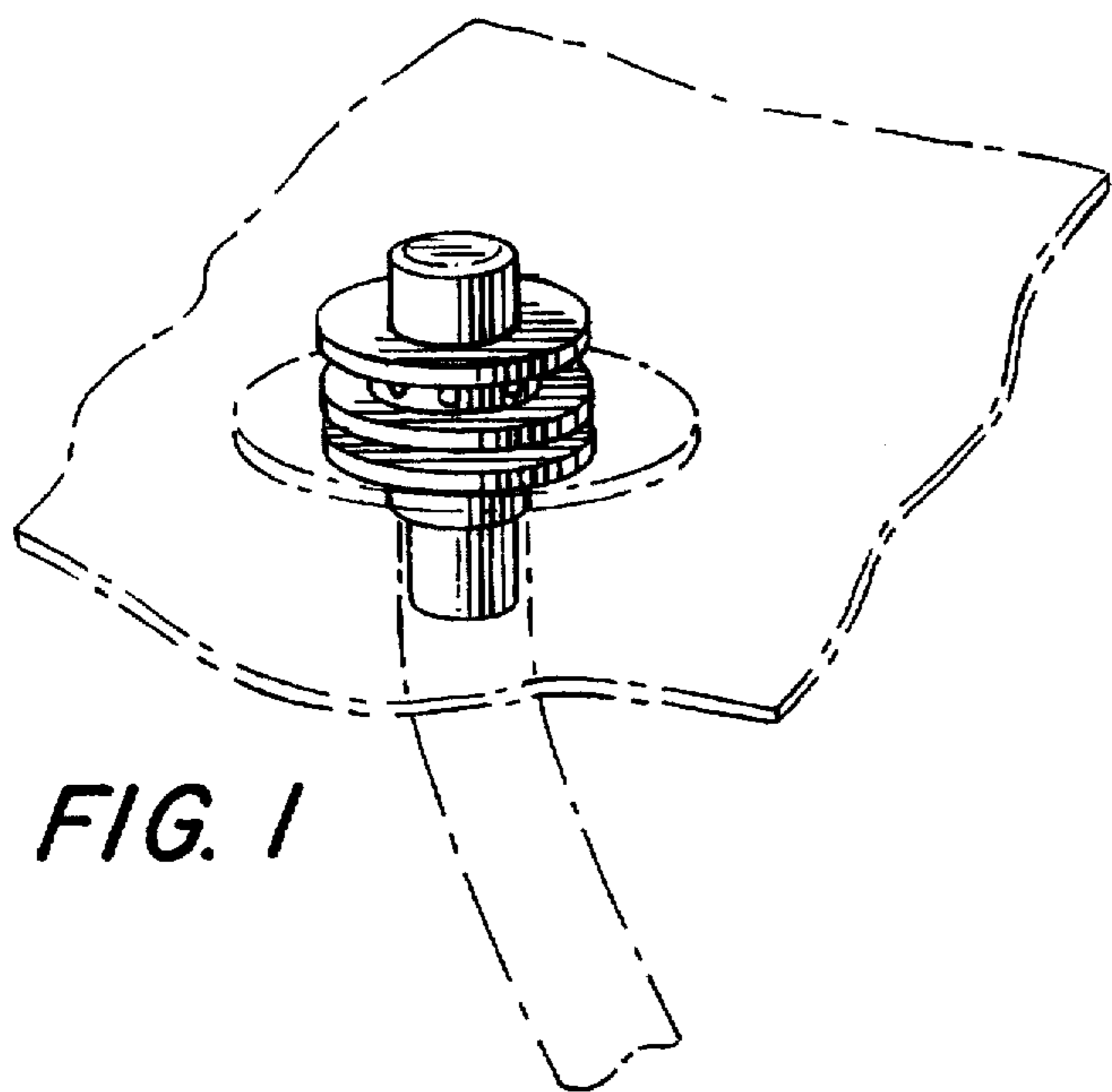


FIG. 1

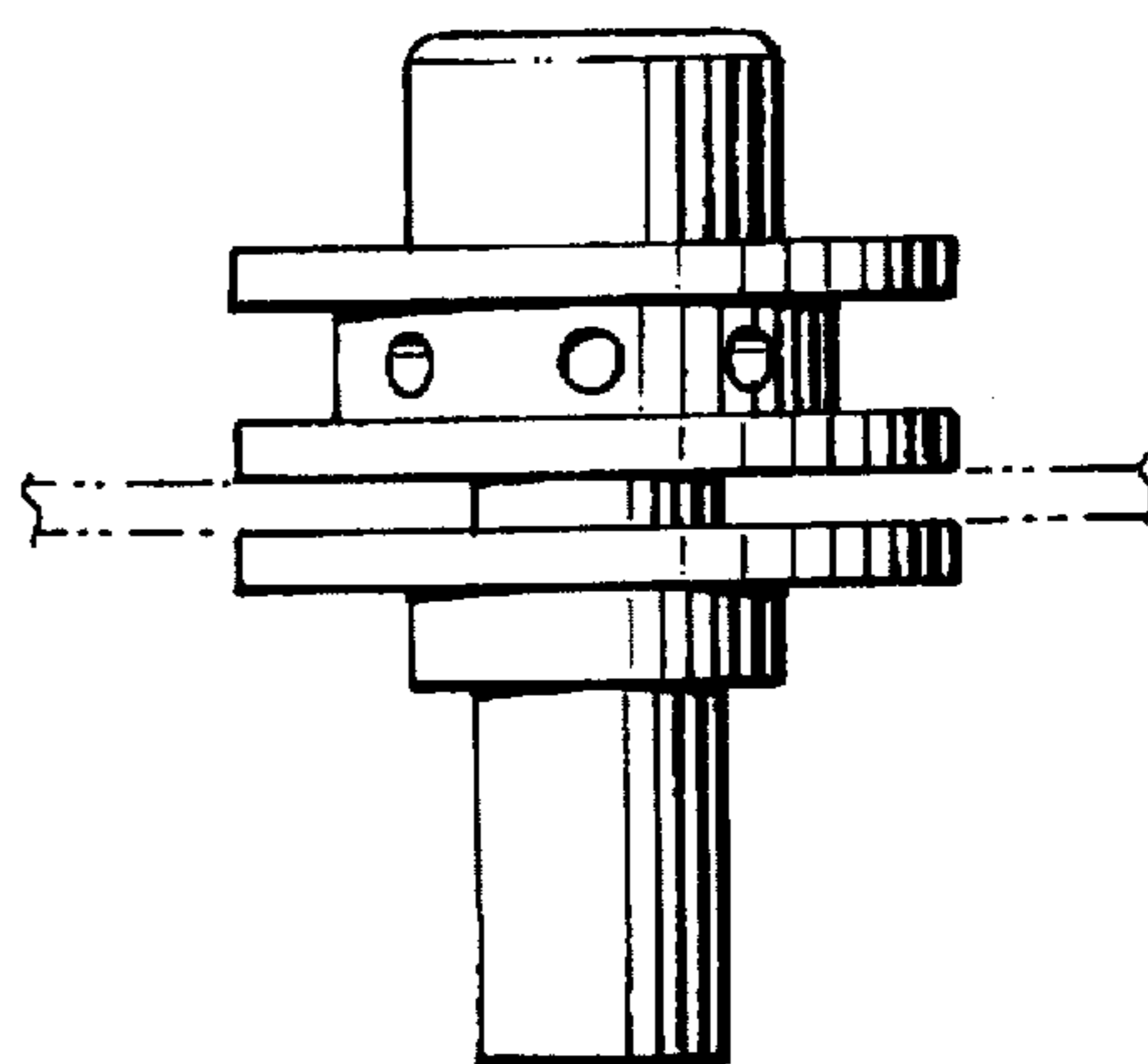


FIG. 2

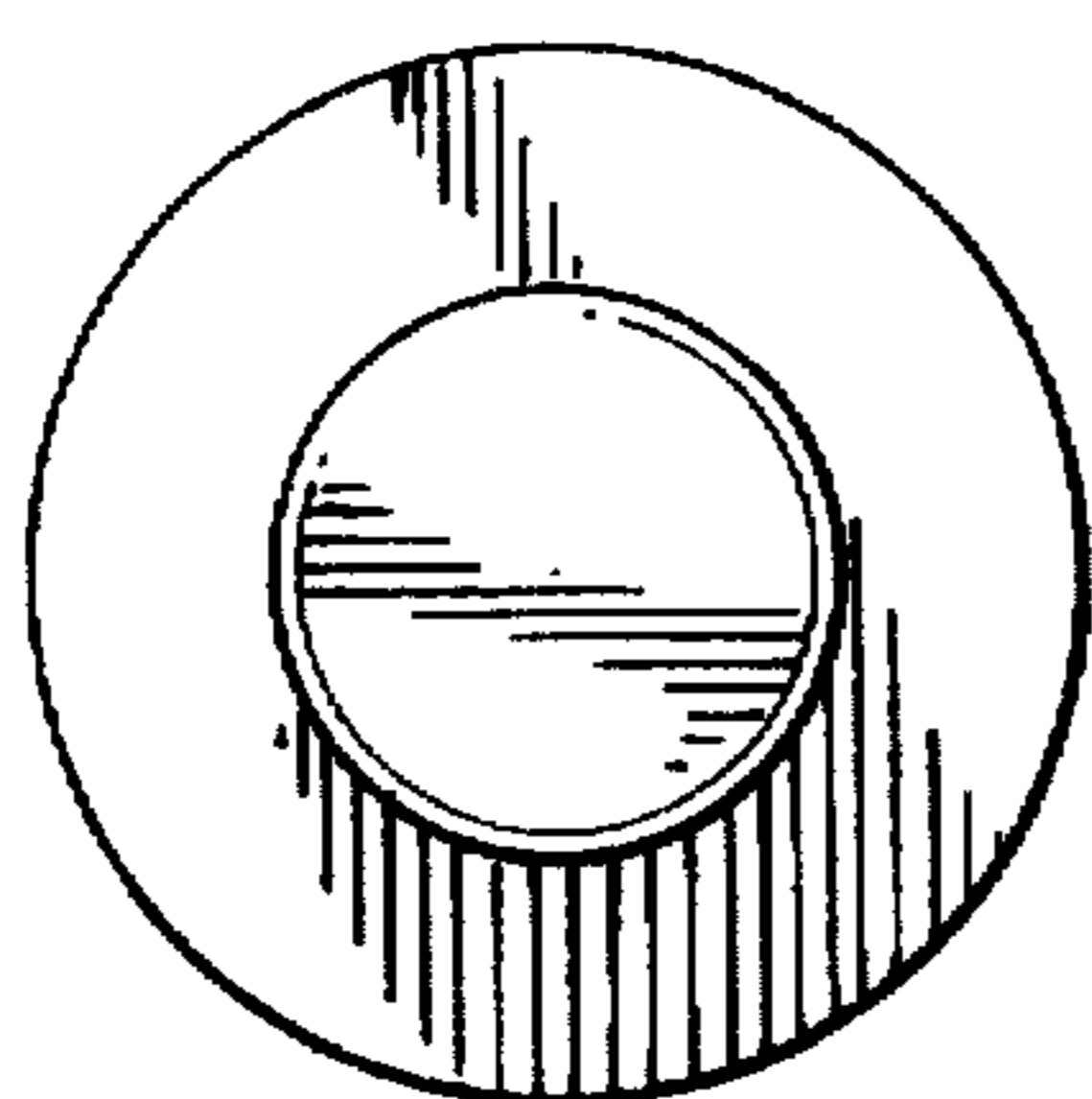


FIG. 3

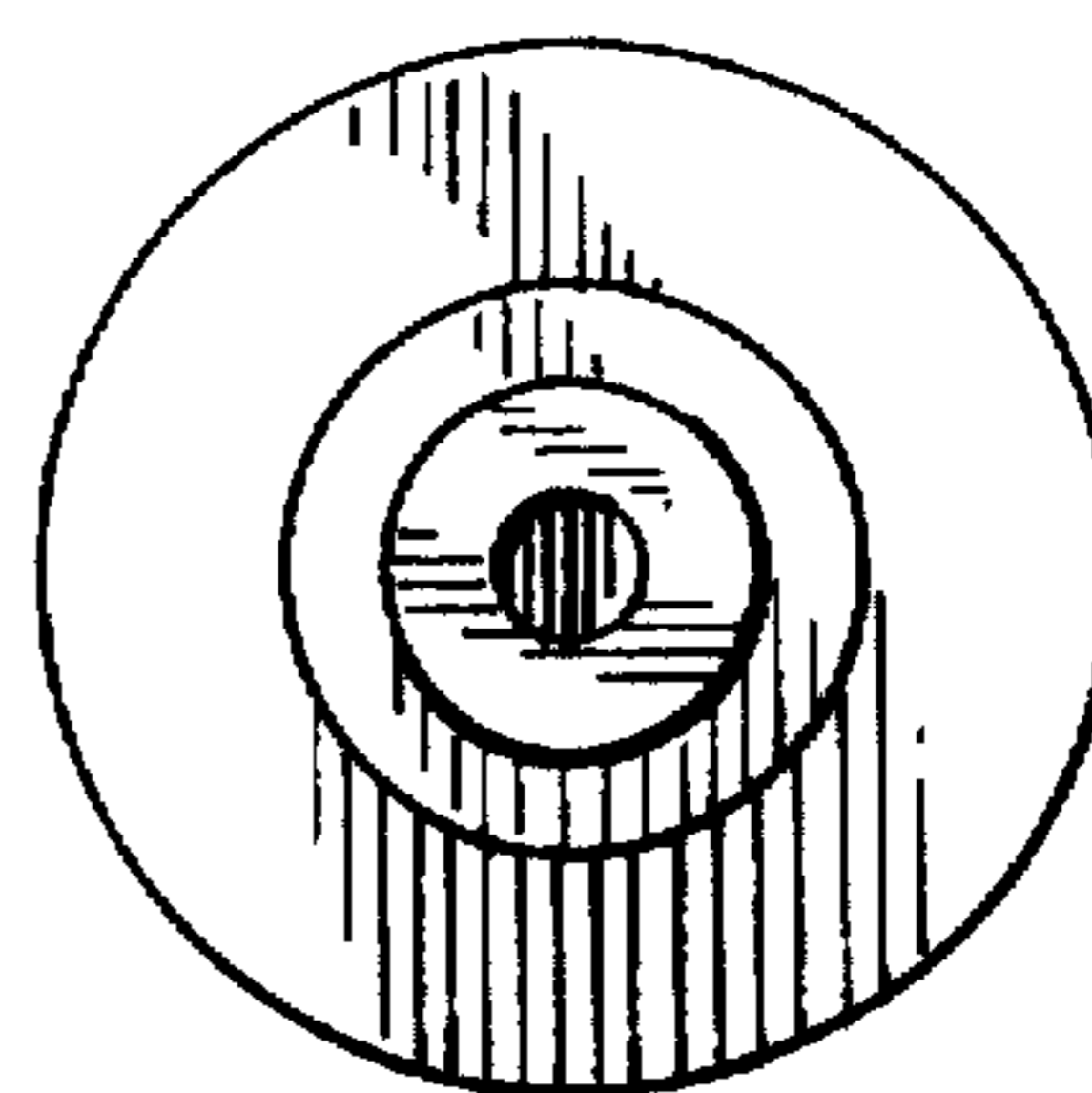


FIG. 4

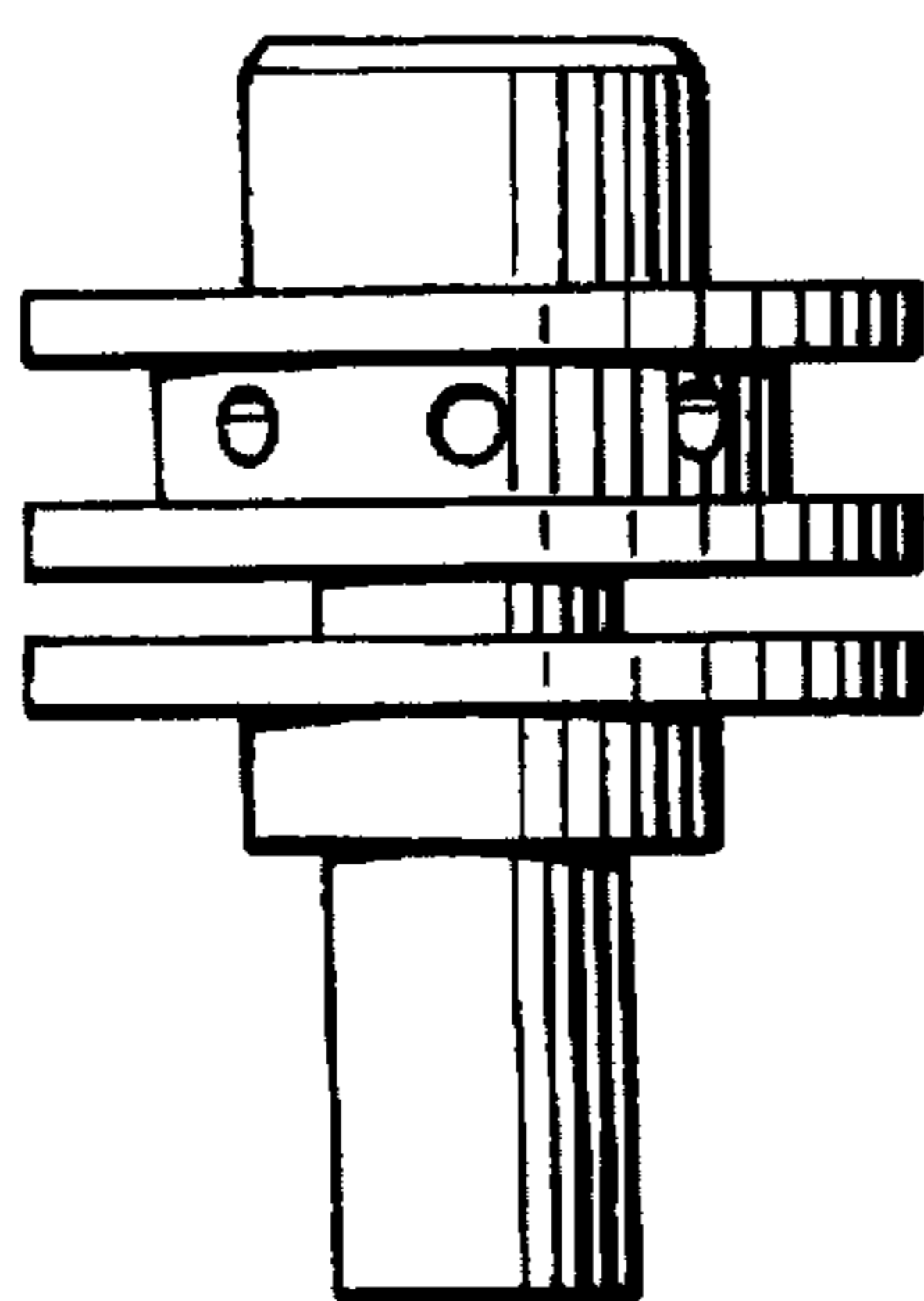


FIG. 5

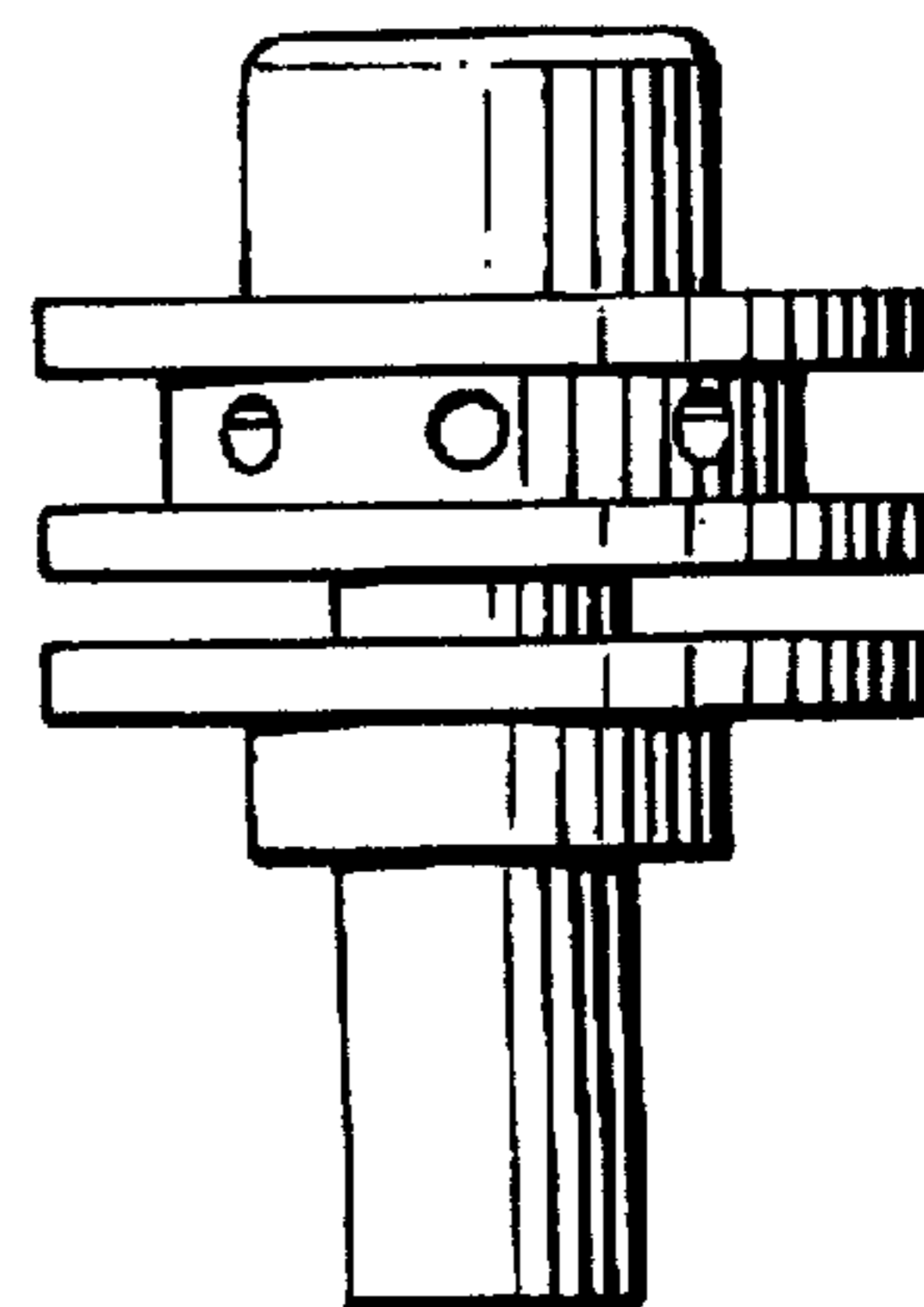


FIG. 6