



US00D394632S

United States Patent [19]
Miller

[11] **Patent Number:** **Des. 394,632**
[45] **Date of Patent:** ****May 26, 1998**

[54] **SADDLE BAG MOUNTING BRACKET FOR A MOTORCYCLE**

[75] **Inventor:** **Larry L. Miller, Rossburg, Ohio**

[73] **Assignee:** **M.L.W. Custom Cycle, Inc., Versailles, Ohio**

[**] **Term:** **14 Years**

[21] **Appl. No.:** **63,193**

[22] **Filed:** **Dec. 2, 1996**

[51] **LOC (6) Cl.** **12-06**

[52] **U.S. Cl.** **D12/223; D8/354**

[58] **Field of Search** **D3/201, 231; D8/380, D8/381; 224/429, 430; 280/202, 288.4; 248/300, 200, 27.1, 201; D12/406, 407, 223, 114**

[56] **References Cited**

U.S. PATENT DOCUMENTS

- D. 87,702 3/1932 Aufiero .
- D. 192,849 4/1962 McEvoy et al. .
- D. 245,312 8/1977 Rasmussen .
- D. 255,323 6/1980 Palmroth .
- D. 274,803 7/1984 Hughes .
- D. 288,171 2/1987 Dey .

- D. 313,338 1/1991 Rasmussen .
- 1,765,410 3/1930 Folberth et al. .
- 2,180,219 3/1939 Wormley .
- 3,414,228 12/1968 Jennings .
- 3,711,050 1/1973 Case .
- 3,740,013 6/1973 Bentley et al. .
- 4,157,800 6/1979 Senter et al. .

OTHER PUBLICATIONS

Montrose Supply and Equipment Catalog, May 9, 1977, p. 229, mounting bracket found at right side of page.
Saddle Supports by Winn Products — 1994, p. 387.
Drag Specialties, p. 299, coil cover bracket—located at top right corner of page, Jan. 1995.

Primary Examiner—Holly Baynham
Attorney, Agent, or Firm—Jacox, Meckstroth & Jenkins

[57] **CLAIM**

The ornamental design for a saddle bag mounting bracket, for a motorcycle, as shown and described.

DESCRIPTION

FIG. 1 is a front view of a saddle bag mounting bracket for a motorcycle showing my new design;
FIG. 2 is an end view thereof;
FIG. 3 is an opposite end view thereof;
FIG. 4 is rear view thereof;
FIG. 5 is a top view thereof; and,
FIG. 6 is a bottom view thereof.

1 Claim, 1 Drawing Sheet

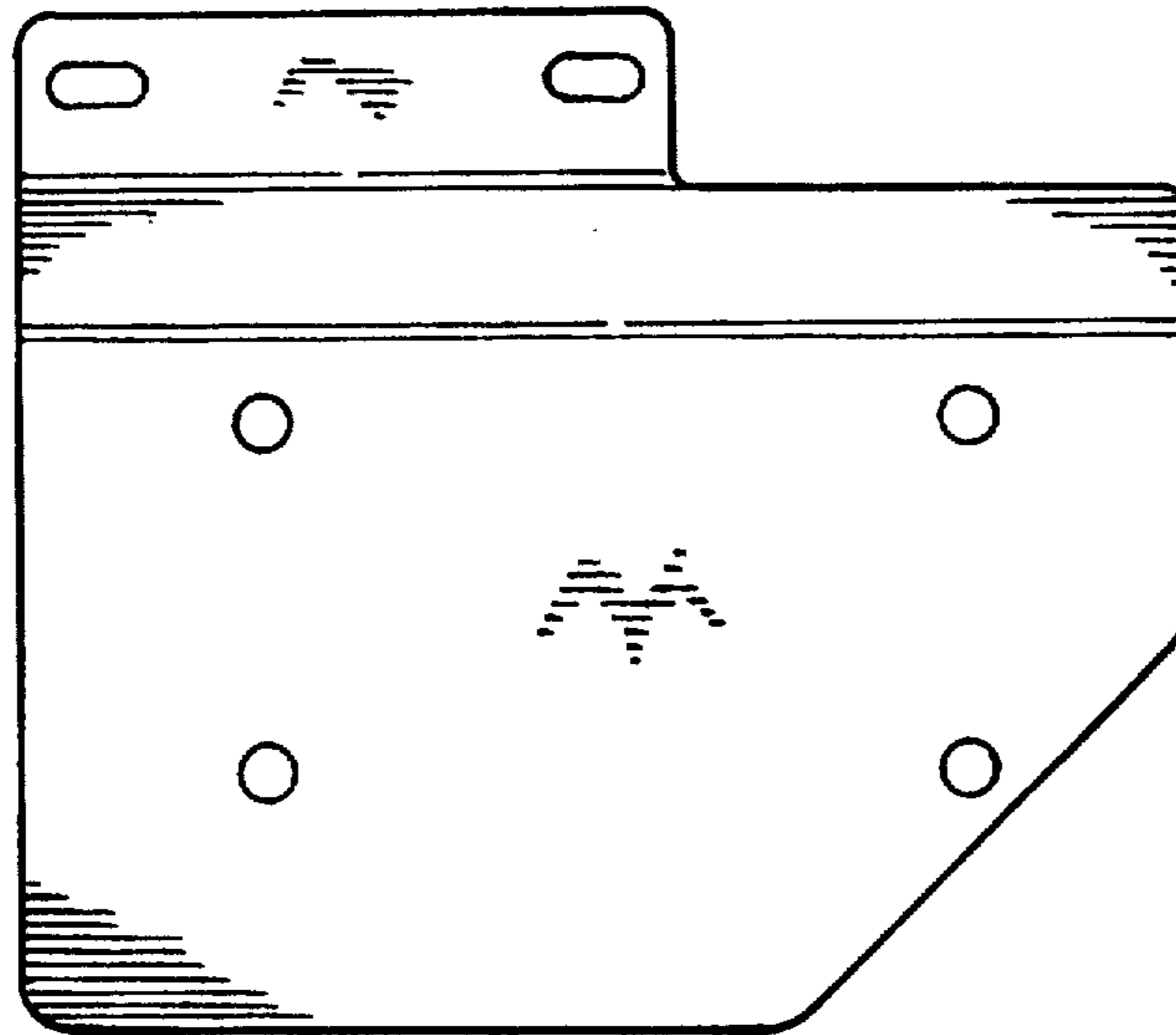


FIG-1

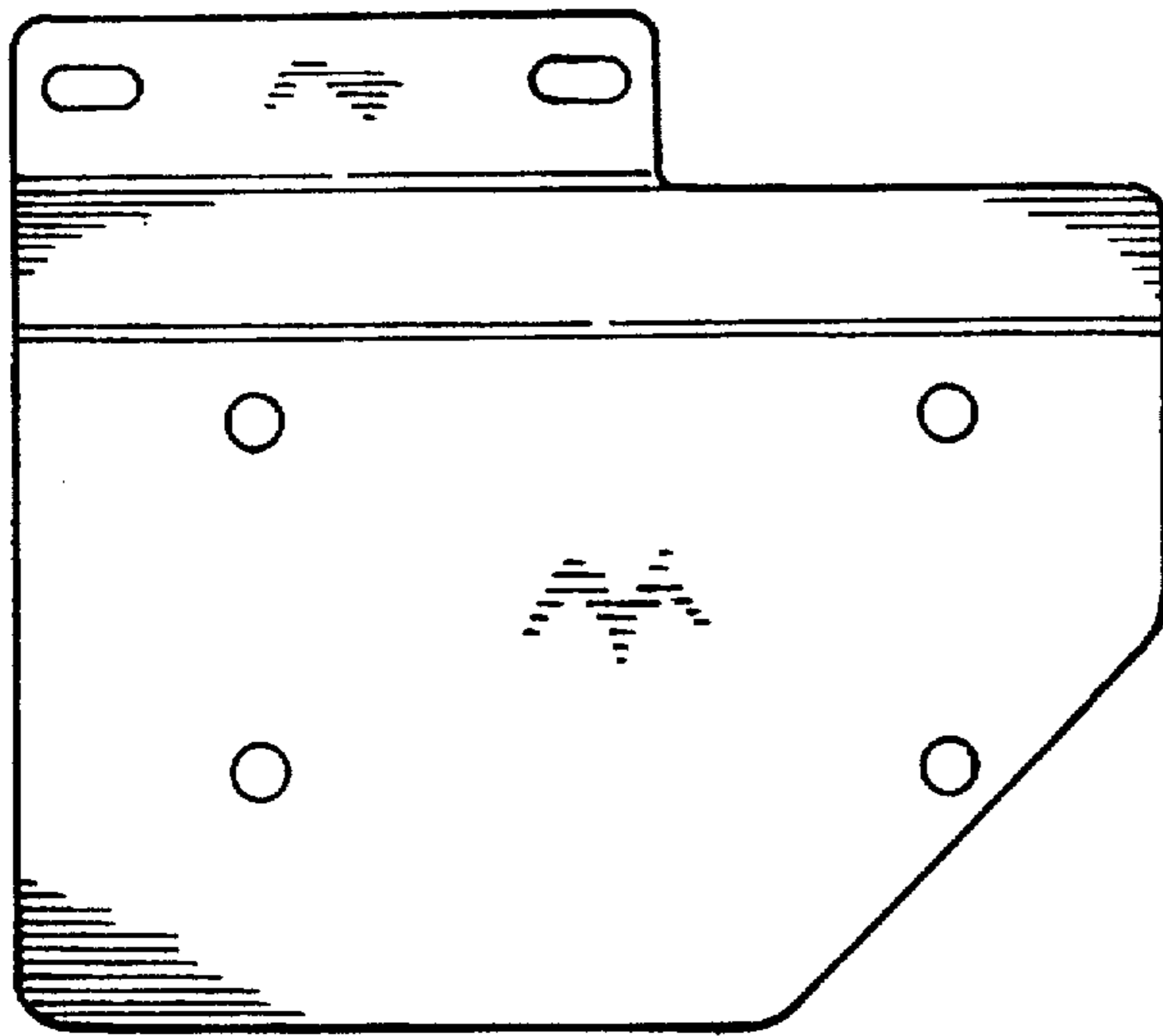


FIG-2

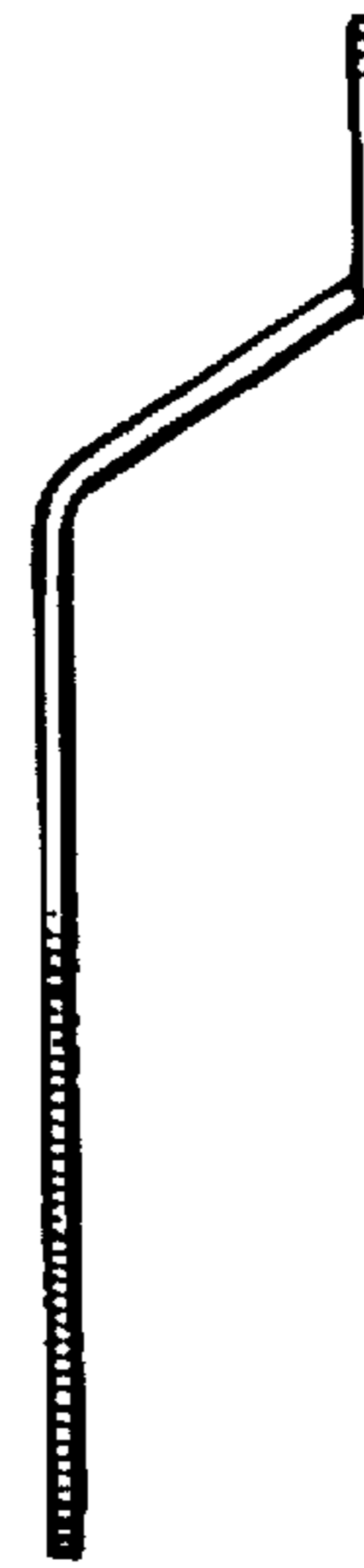


FIG-3



FIG-4

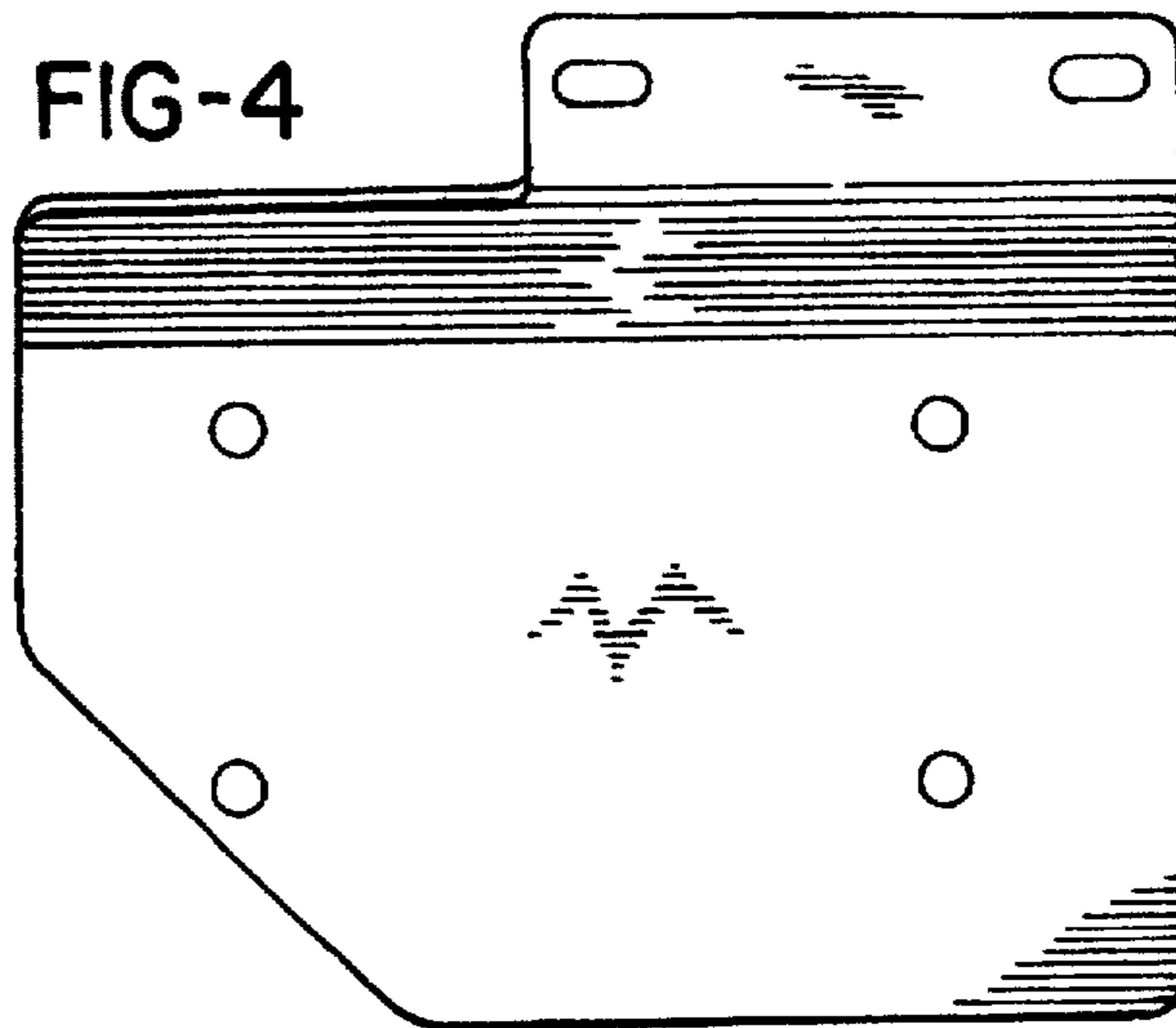


FIG-5

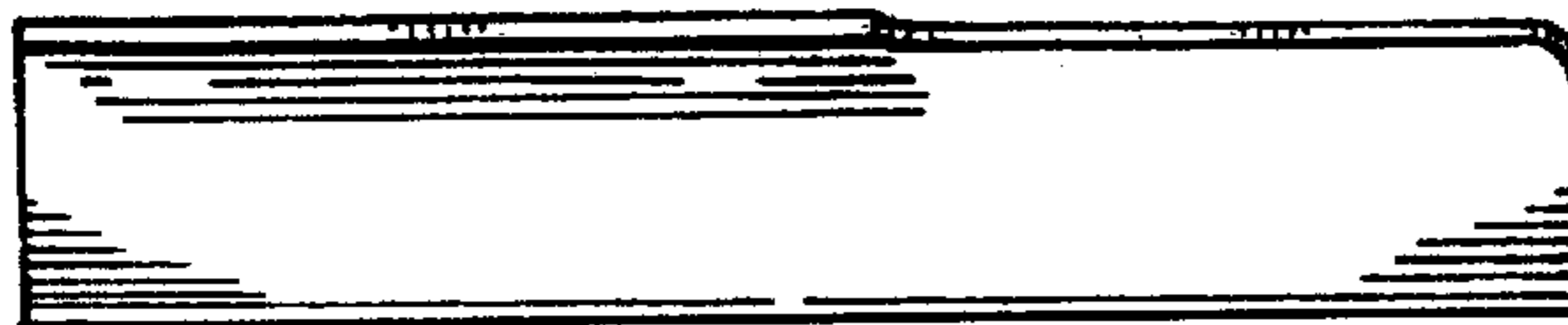


FIG-6

