



US00D394629S

United States Patent [19]
Lincoln

[11] **Patent Number: Des. 394,629**
[45] **Date of Patent: **May 26, 1998**

[54] **TRANSPARENT WATER CRAFT**

D. 370,454 6/1996 Lockwood D12/300
D. 378,692 4/1997 Lincoln D21/228

[76] **Inventor: Bruce C. Lincoln, 1308 E. Desert Broom Way, Phoenix, Ariz. 85048**

Primary Examiner—Kay H. Chin
Attorney, Agent, or Firm—Gregory J. Nelson

[**] **Term: 14 Years**

[21] **Appl. No.: 66,128**

[57] **CLAIM**

[22] **Filed: Feb. 5, 1997**

The ornamental design for a transparent water craft, as shown and described.

Related U.S. Application Data

DESCRIPTION

[63] **Continuation-in-part of Ser. No. 50,713, Feb. 23, 1996, Pat. No. Des. 378,692.**

FIG. 1 is a perspective view of a transparent water craft showing my new design;

[51] **LOC (6) Cl. 12-06**

FIG. 2 is a front view thereof;

[52] **U.S. Cl. D12/302; D12/300; D12/304**

FIG. 3 is a top view thereof;

[58] **Field of Search D12/300-318; 114/347, 348, 56, 345, 123, 39.2; D21/228, 236, 237**

FIG. 4 is a left side view thereof;

FIG. 5 is bottom view thereof; and,

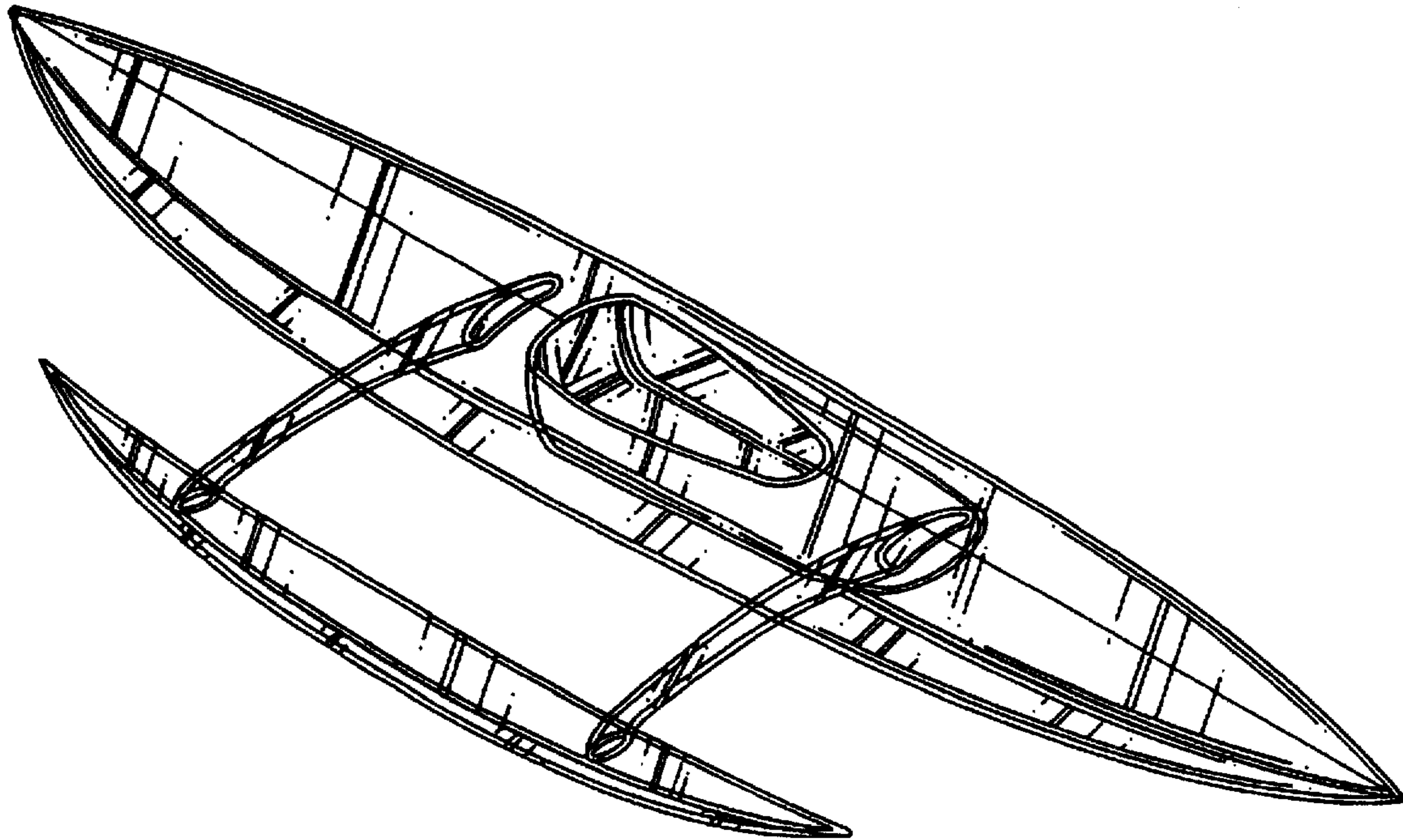
FIG. 6 is a right side view thereof.

[56] **References Cited**

U.S. PATENT DOCUMENTS

D. 341,565 11/1993 Reha D12/300

1 Claim, 2 Drawing Sheets



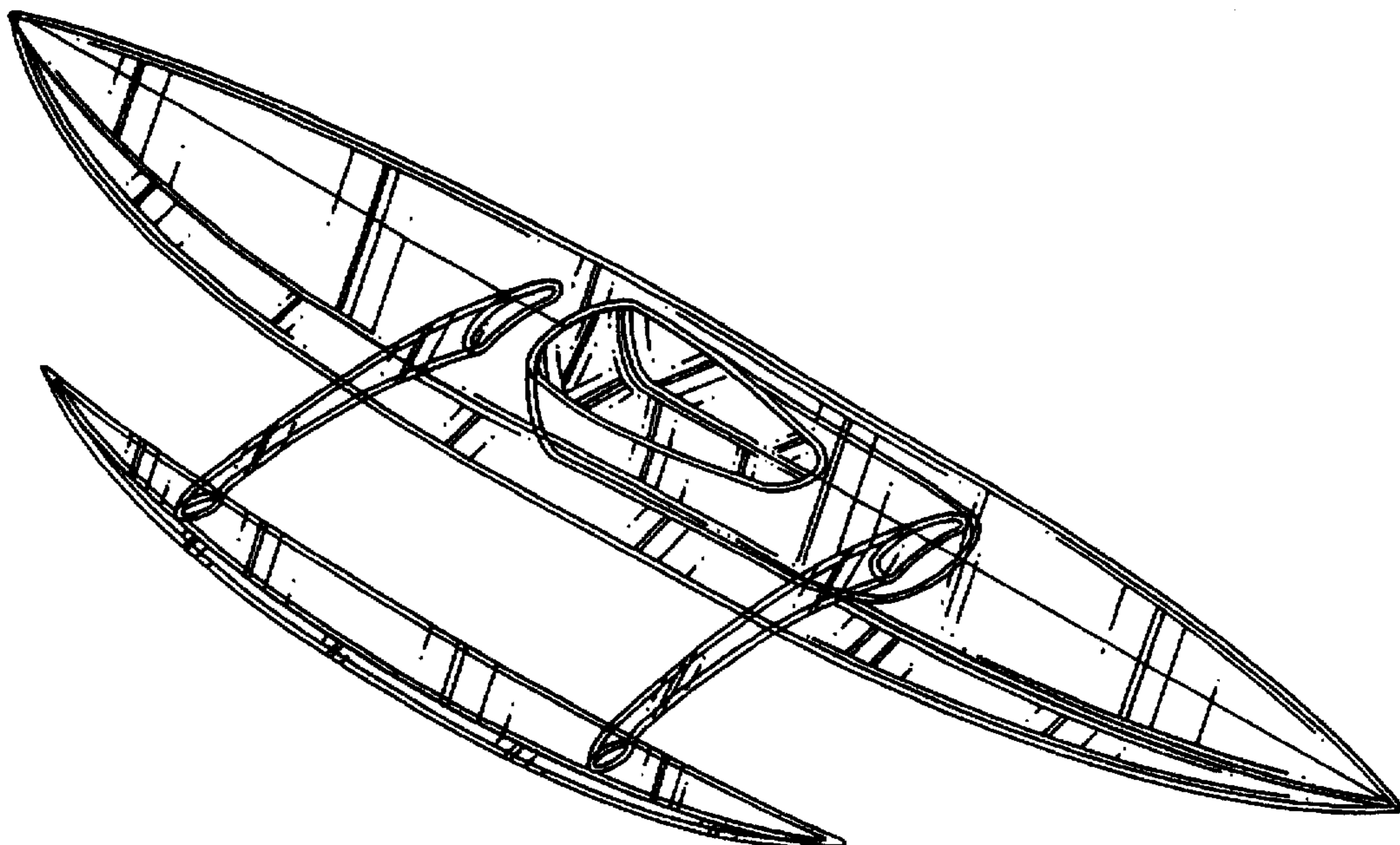


FIG. 1

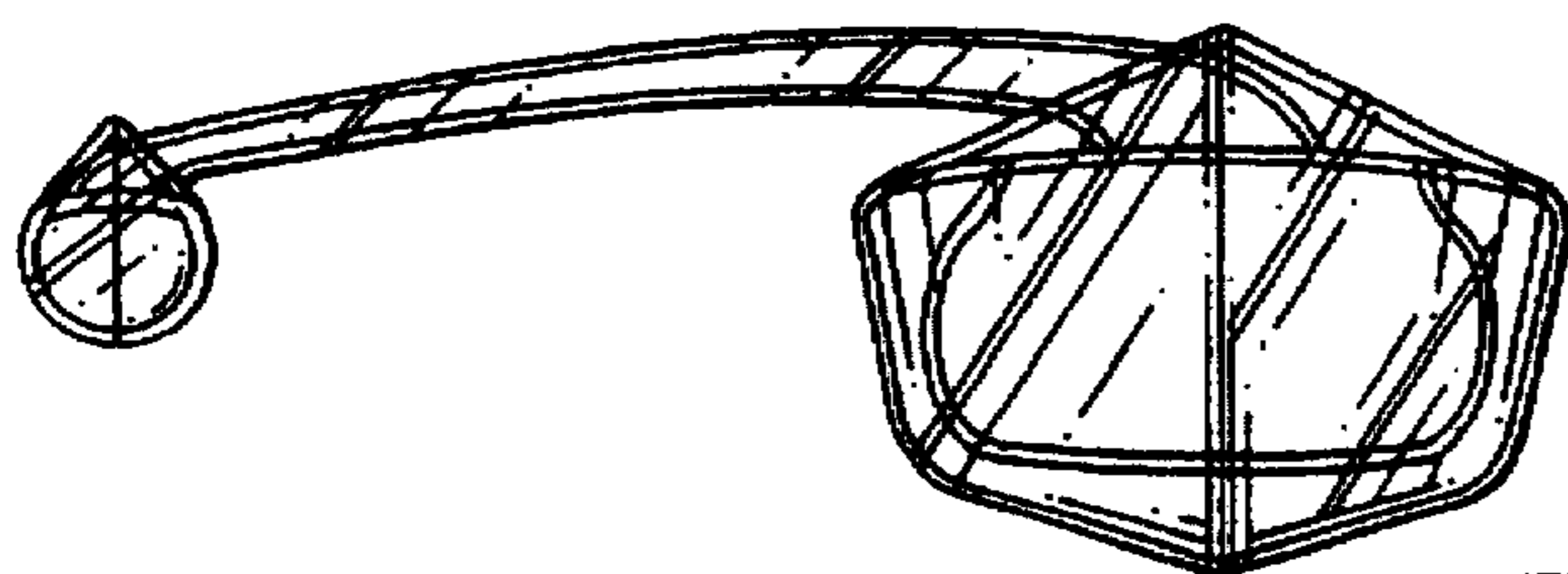


FIG. 2

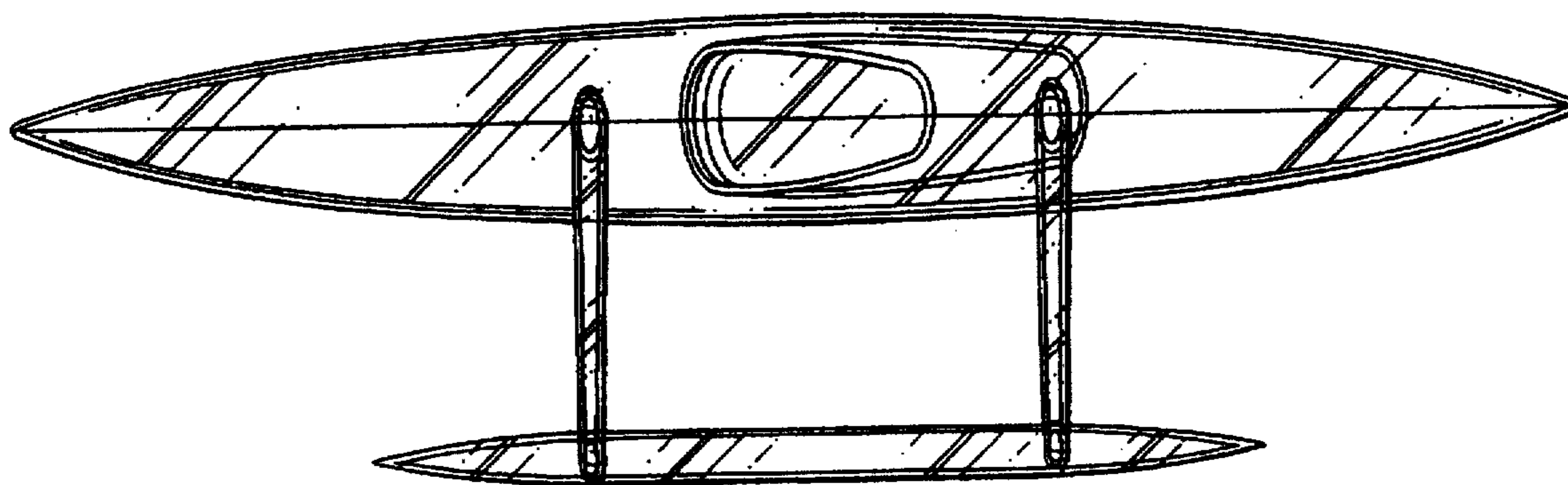


FIG. 3

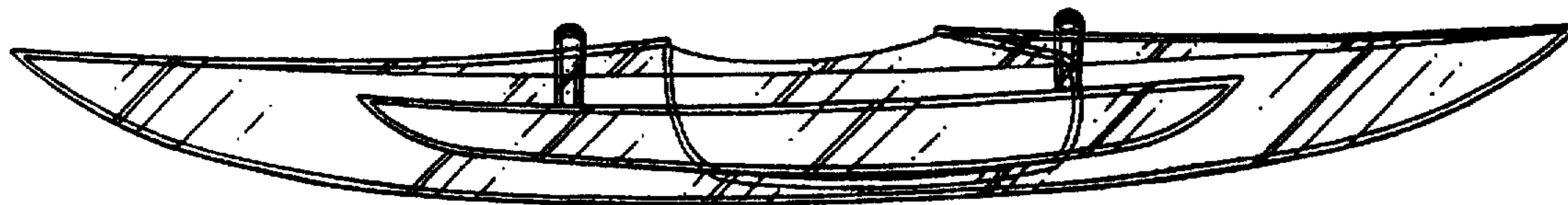


FIG. 4

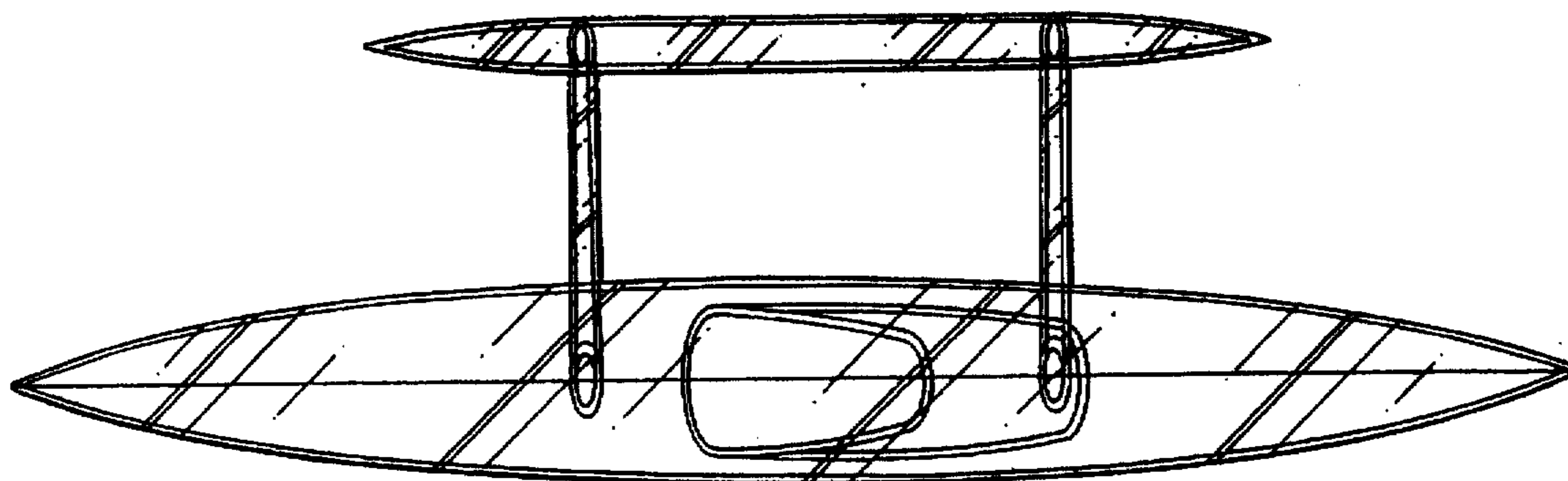


FIG. 5



FIG. 6