



US00D394621S

United States Patent [19]
Merino Lopez

[11] **Patent Number: Des. 394,621**
[45] **Date of Patent: **May 26, 1998**

[54] **TREAD FOR A TIRE**

D. 226,543 3/1973 Neale .
D. 262,012 11/1981 Candiotis .
D. 301,022 5/1989 Kemp .

[75] **Inventor: Jose Merino Lopez, Riom, France**

OTHER PUBLICATIONS

[73] **Assignee: Compagnie Generale des
Etablissements Michelin - Michelin &
Cie, Cedex, France**

TDG 1967, p. 59: Passenger Tires, White, Premium Custom
B-W-TL-N.

[**] **Term: 14 Years**

Primary Examiner—James Gandy
Assistant Examiner—Robert M. Spear
Attorney, Agent, or Firm—Baker & Botts, L.L.P.

[21] **Appl. No.: 64,868**

[22] **Filed: Jan. 13, 1997**

[57] **CLAIM**

[30] **Foreign Application Priority Data**

The ornamental design for a tread for a tire, as shown and
described.

Jul. 11, 1996 [FR] France 964138

DESCRIPTION

[51] **LOC (6) Cl. 12-15**

[52] **U.S. Cl. D12/141**

[58] **Field of Search D12/136, 138,
D12/140-151; 152/209 A, 209 B, 209 D,
209 R, 209 NT**

FIG. 1 is a perspective view of a tread for a tire showing my
new design, it being understood that the tread pattern is
repeated throughout the circumference of the tread for a tire;
and,

[56] **References Cited**

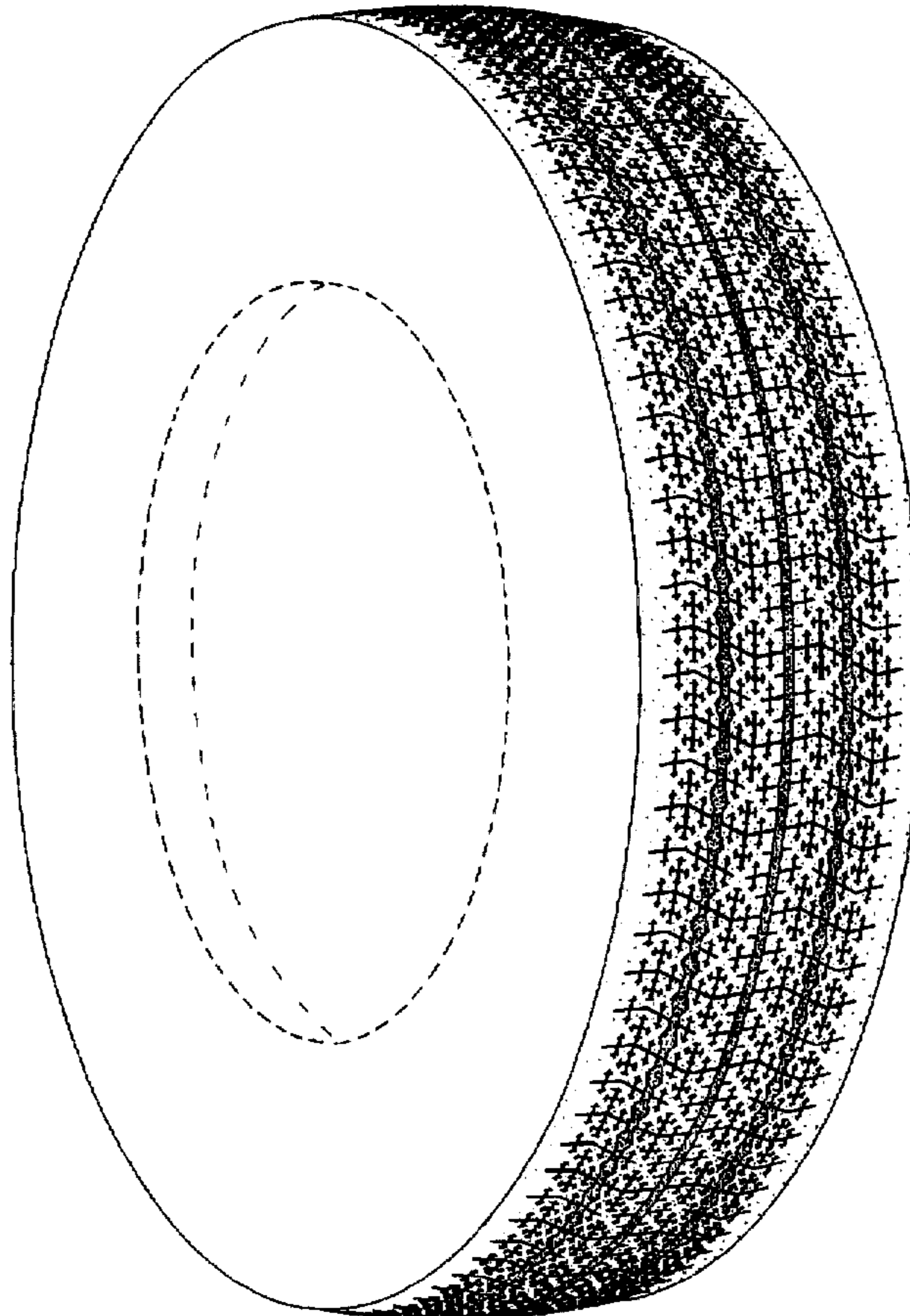
FIG. 2 is an elevational view of the tire tread design shown
in FIG. 1.

U.S. PATENT DOCUMENTS

The broken lines defining the tire inner bead and sidewall are
for illustrative purposes only and form no part of the claimed
design.

D. 62,856 8/1923 Simmons D12/148
D. 65,020 6/1924 Sears D12/148
D. 65,081 7/1924 Robertson D12/148
D. 110,616 7/1938 Hardeman D12/148

1 Claim, 2 Drawing Sheets



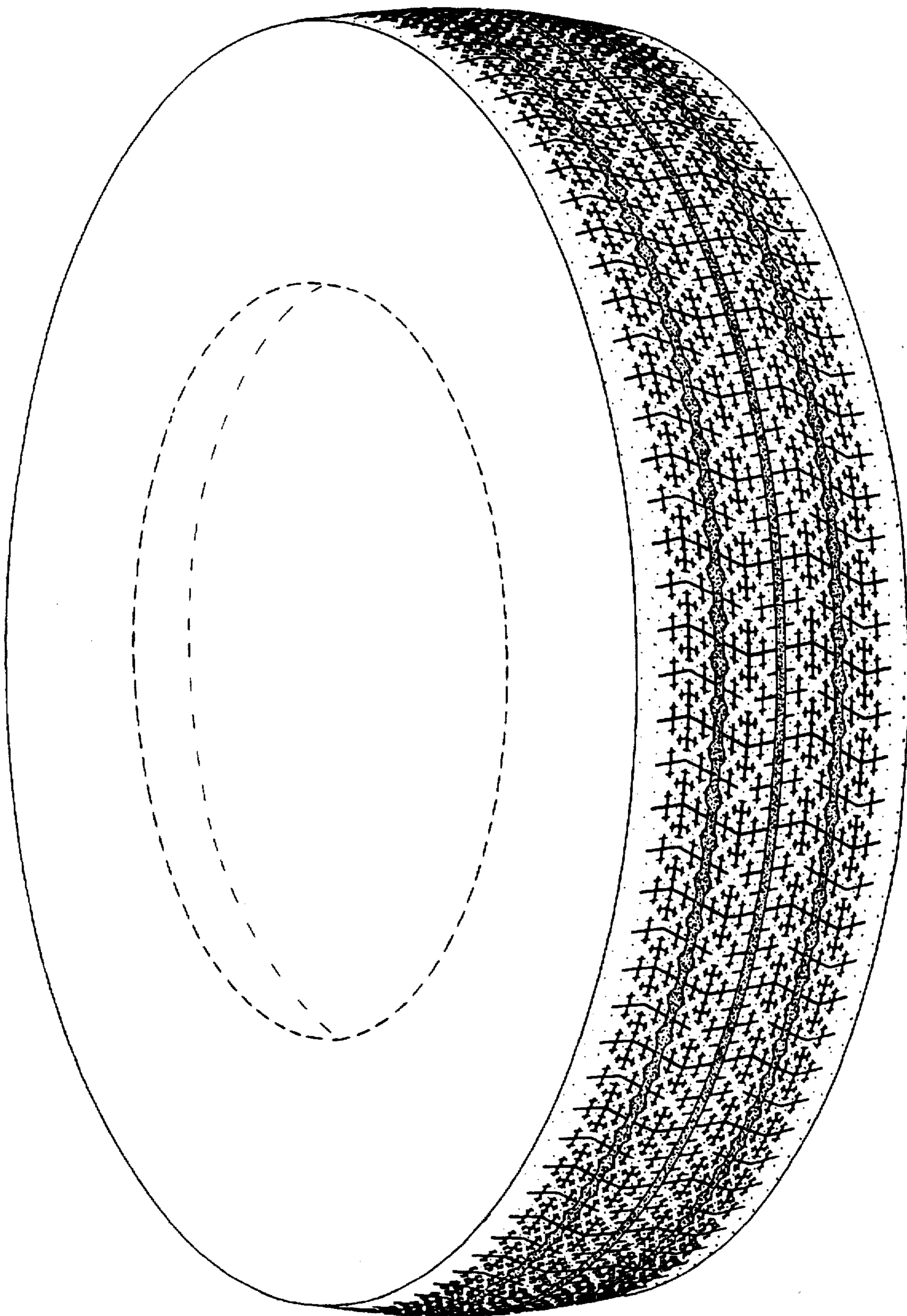


FIG. 1

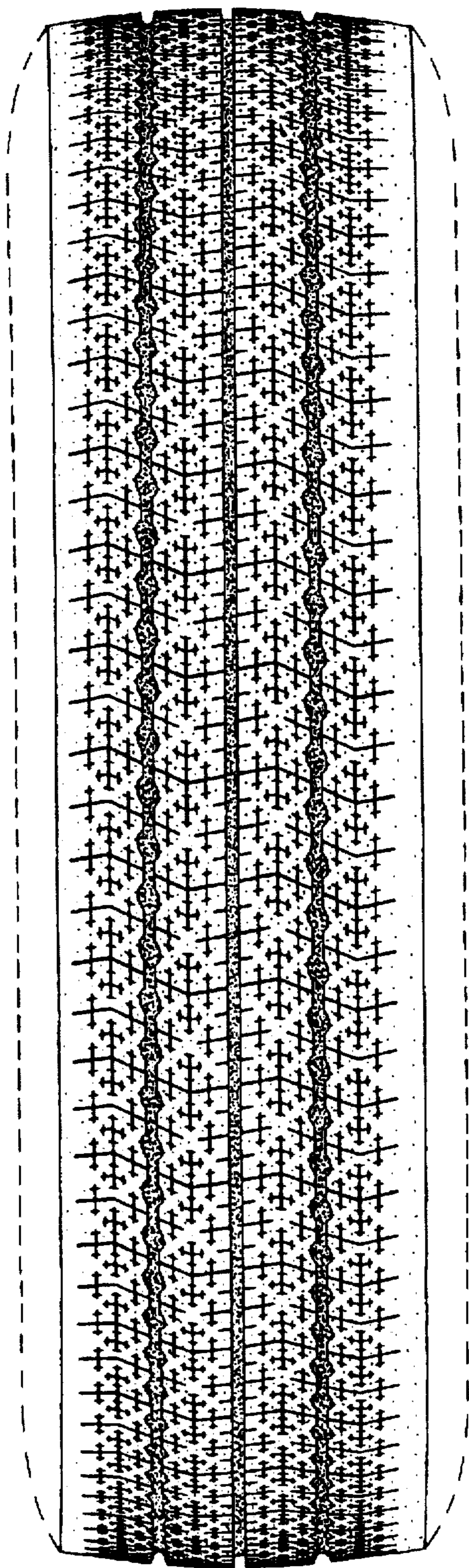


FIG. 2