



US00D394617S

United States Patent [19]

Kerlin et al.

[11] Patent Number: **Des. 394,617**

[45] Date of Patent: ****May 26, 1998**

[54] **AIR DUCT FOR A GOLF CAR**

[75] Inventors: **James R. Kerlin; James M. Fulford,**
both of Evans; **Donald G. Samuelson,**
Augusta, all of Ga.; **David N. Schult,**
North Augusta, S.C.

[73] Assignee: **Ingersoll-Rand Company,** Woodcliff
Lake, N.J.

[**] Term: **14 Years**

[21] Appl. No.: **63,806**

[22] Filed: **Dec. 16, 1996**

[51] LOC (6) Cl. **12-16**

[52] U.S. Cl. **D12/16; D15/5**

[58] Field of Search **D12/16, 400; D15/5;**
280/DIG. 5, 6; 123/124, 198 E, 527; 180/68.2

[56] **References Cited**

U.S. PATENT DOCUMENTS

D. 353,383 12/1994 Aronsson **D15/5**
5,112,535 5/1992 Roberson **280/DIG. 5**

5,174,406 12/1992 Lee **180/68.2**
5,195,484 3/1993 Knapp **123/198 E**
5,345,918 9/1994 Lambert **123/527**
5,370,098 12/1994 Iida **128/527**
5,564,513 10/1996 Wible **123/198 E**

Primary Examiner—Nelson C. Holtje
Attorney, Agent, or Firm—John J. Selko

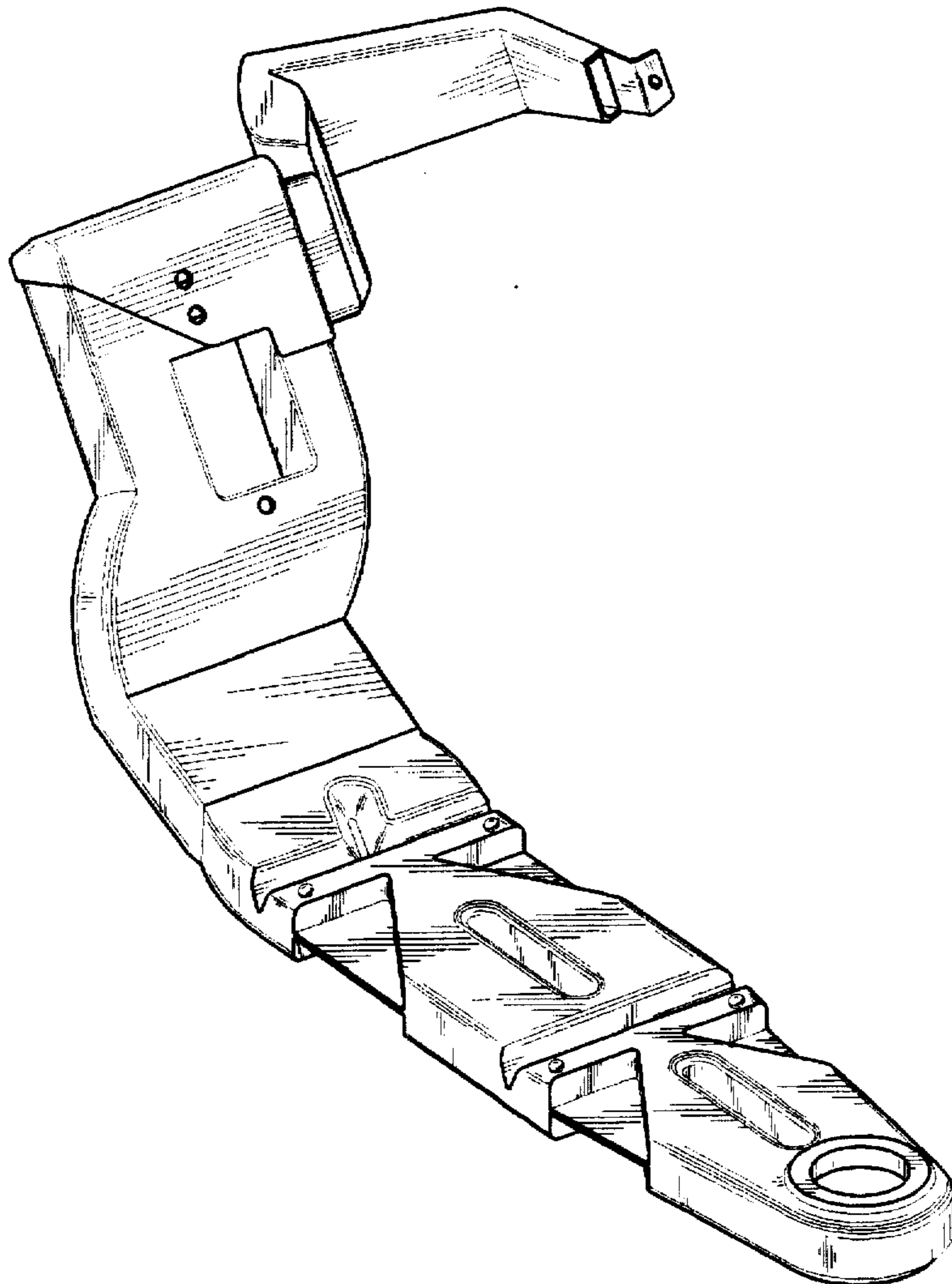
[57] **CLAIM**

The ornamental design for an air duct for a golf car, as shown and described.

DESCRIPTION

FIG. 1 is a top, rear and side pictorial view of the air duct of the invention;
FIG. 2 is a top plan view of the design;
FIG. 3 is a right side view of the design;
FIG. 4 is a bottom plan view of the design;
FIG. 5 is a left side view of the design;
FIG. 6 is a front view of the design;
FIG. 7 is a rear view of the design; and,
FIG. 8 is a bottom, front and side pictorial view of the design.

1 Claim, 6 Drawing Sheets



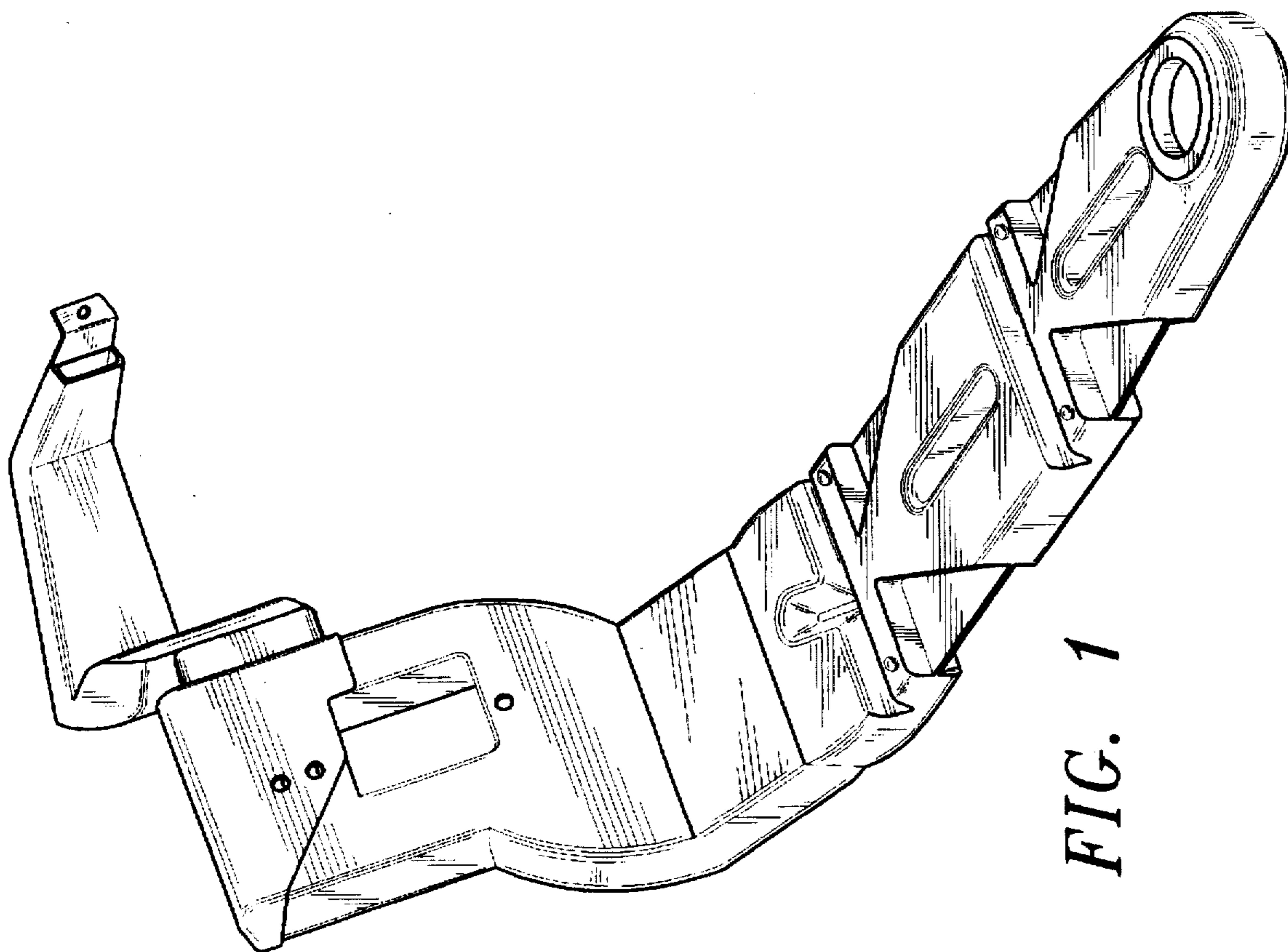


FIG. 1

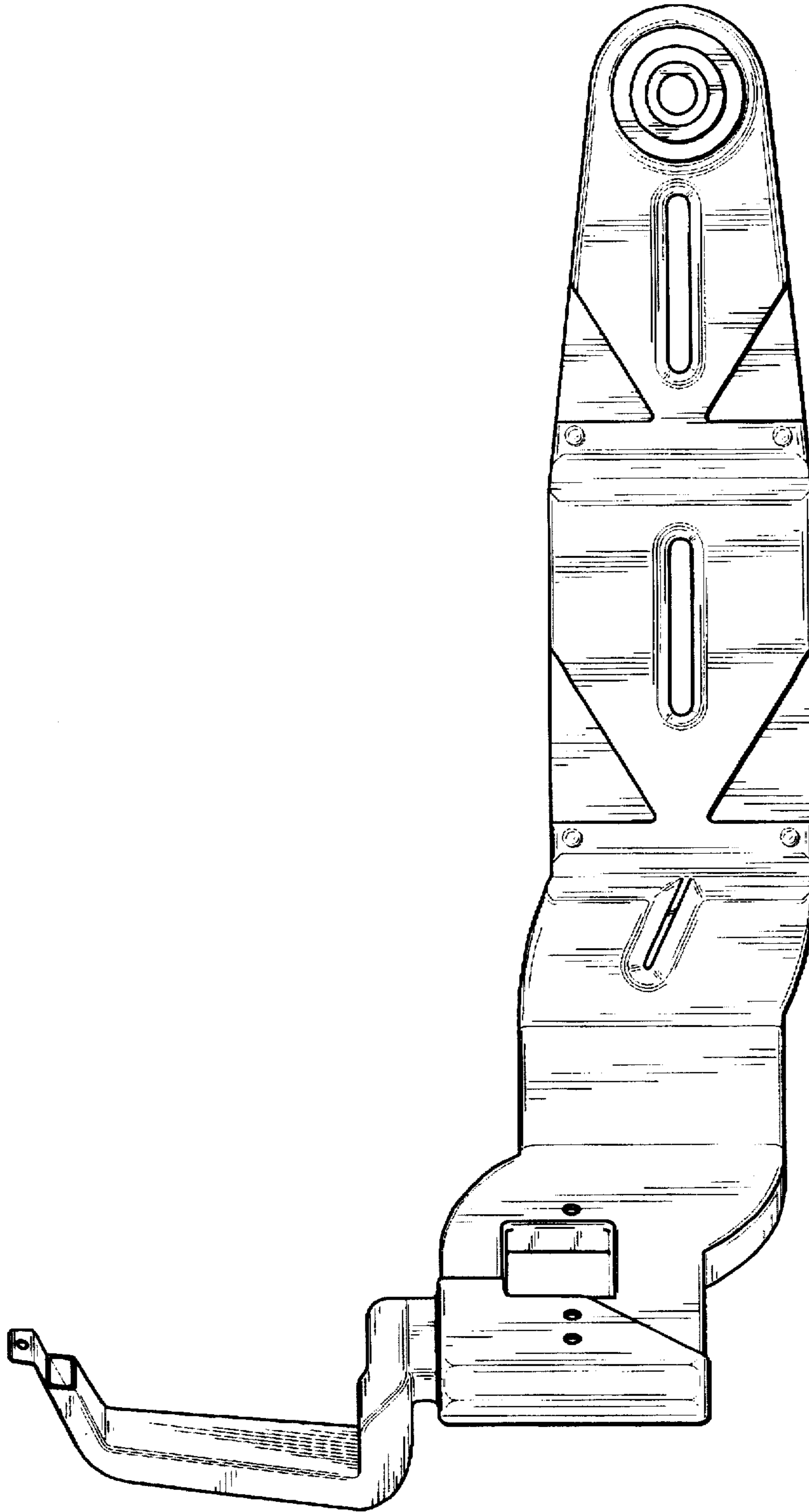


FIG. 2

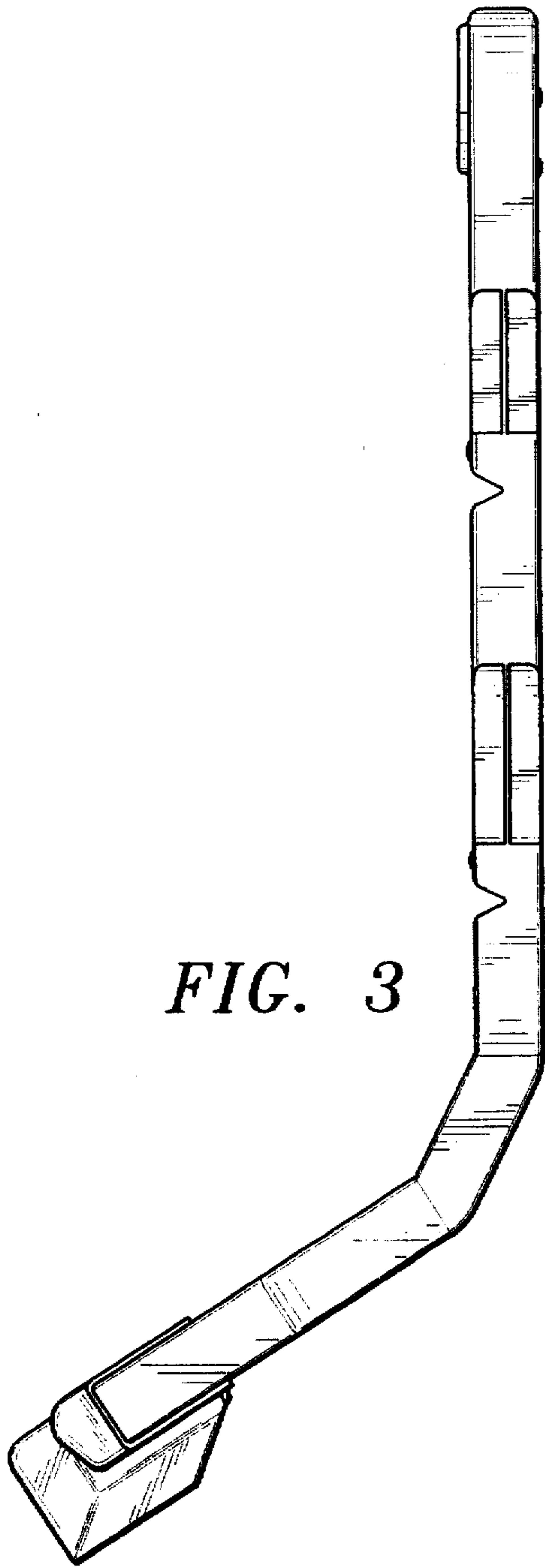


FIG. 3

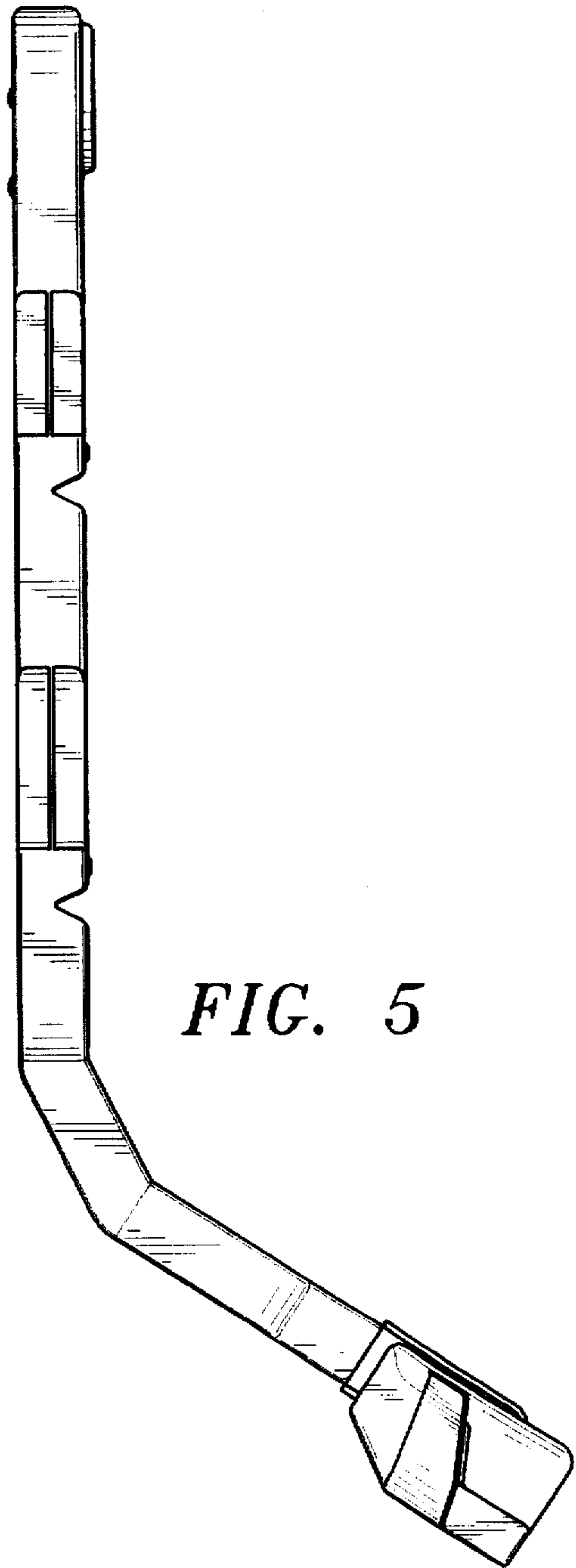


FIG. 5

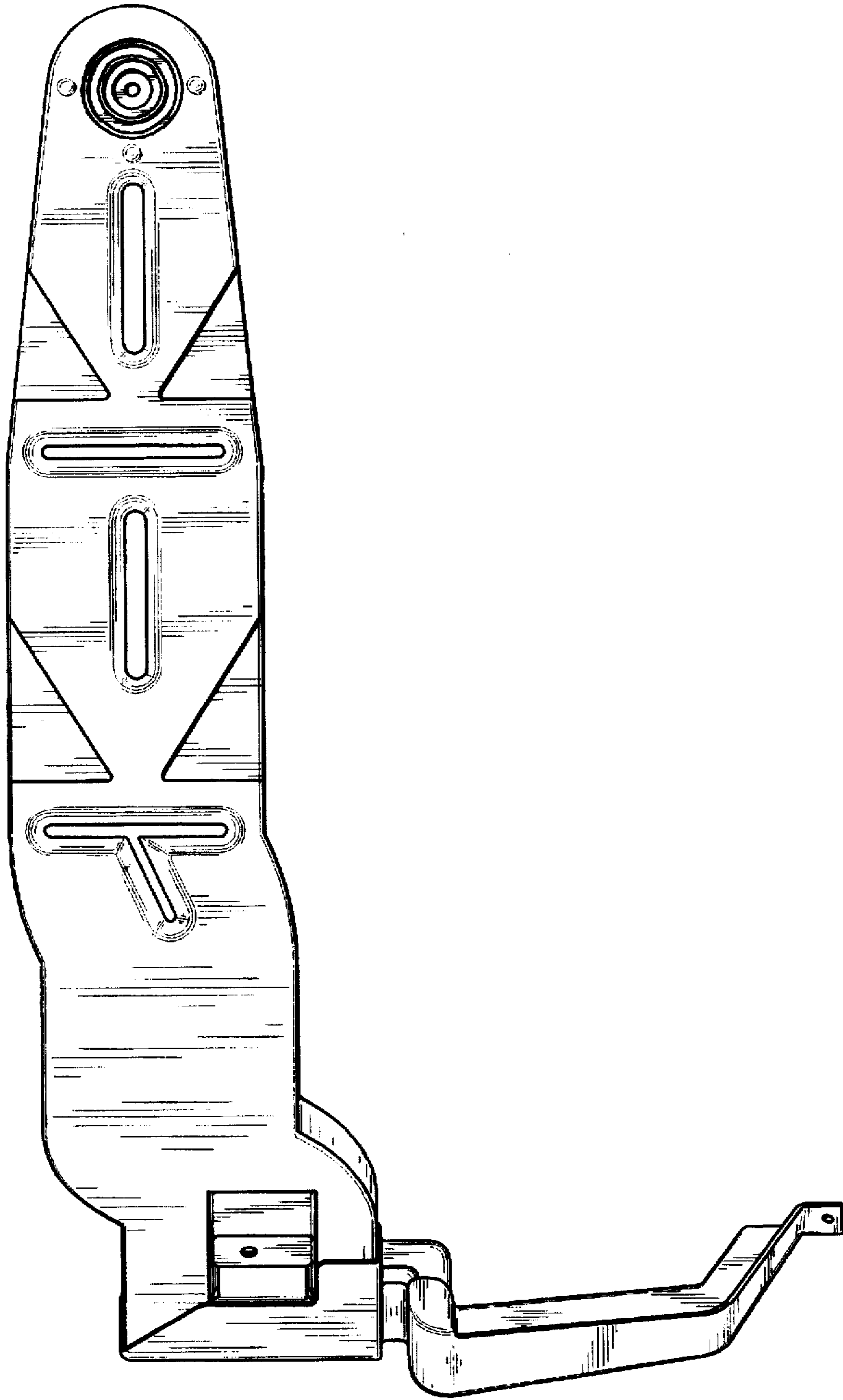


FIG. 4

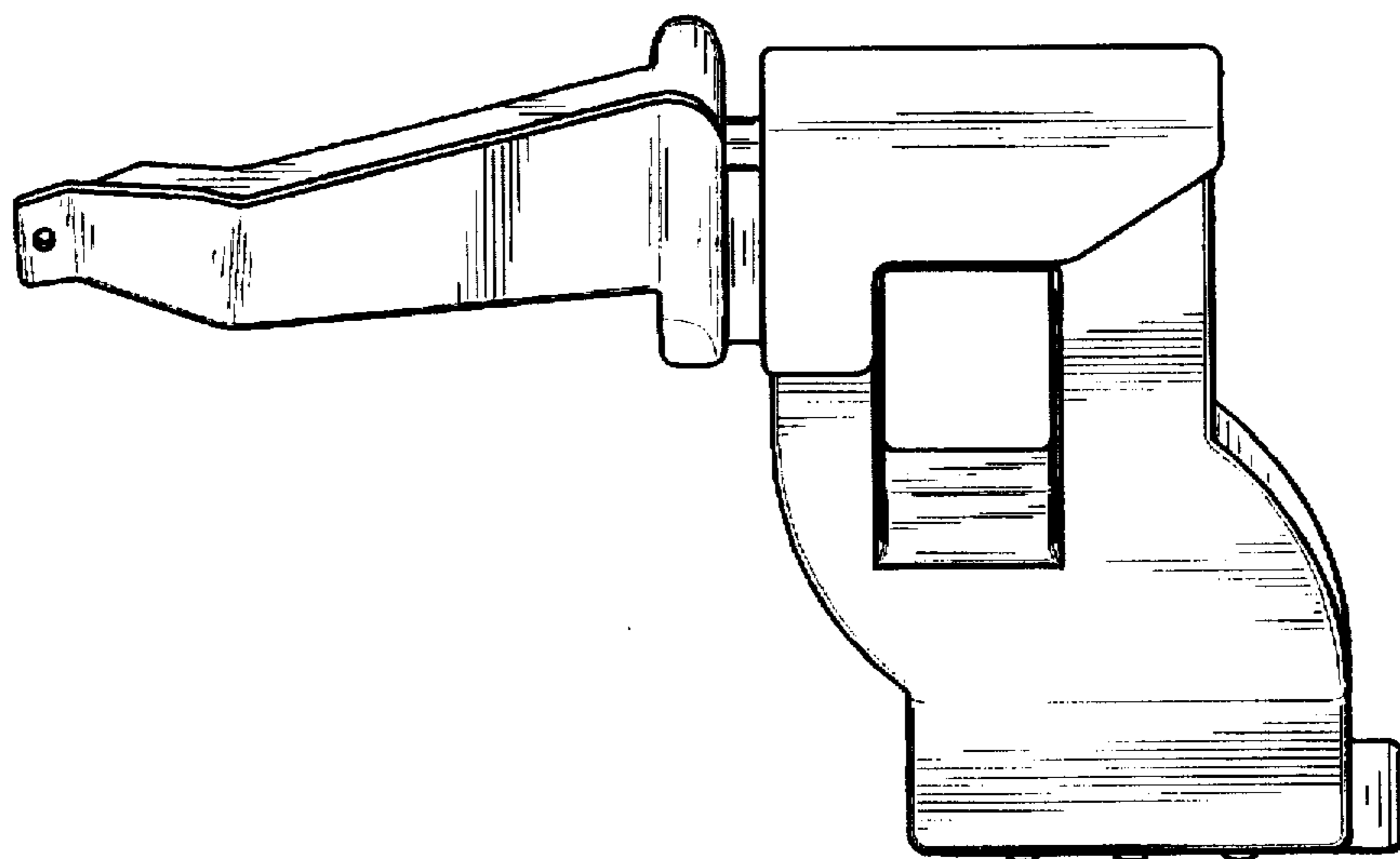


FIG. 6

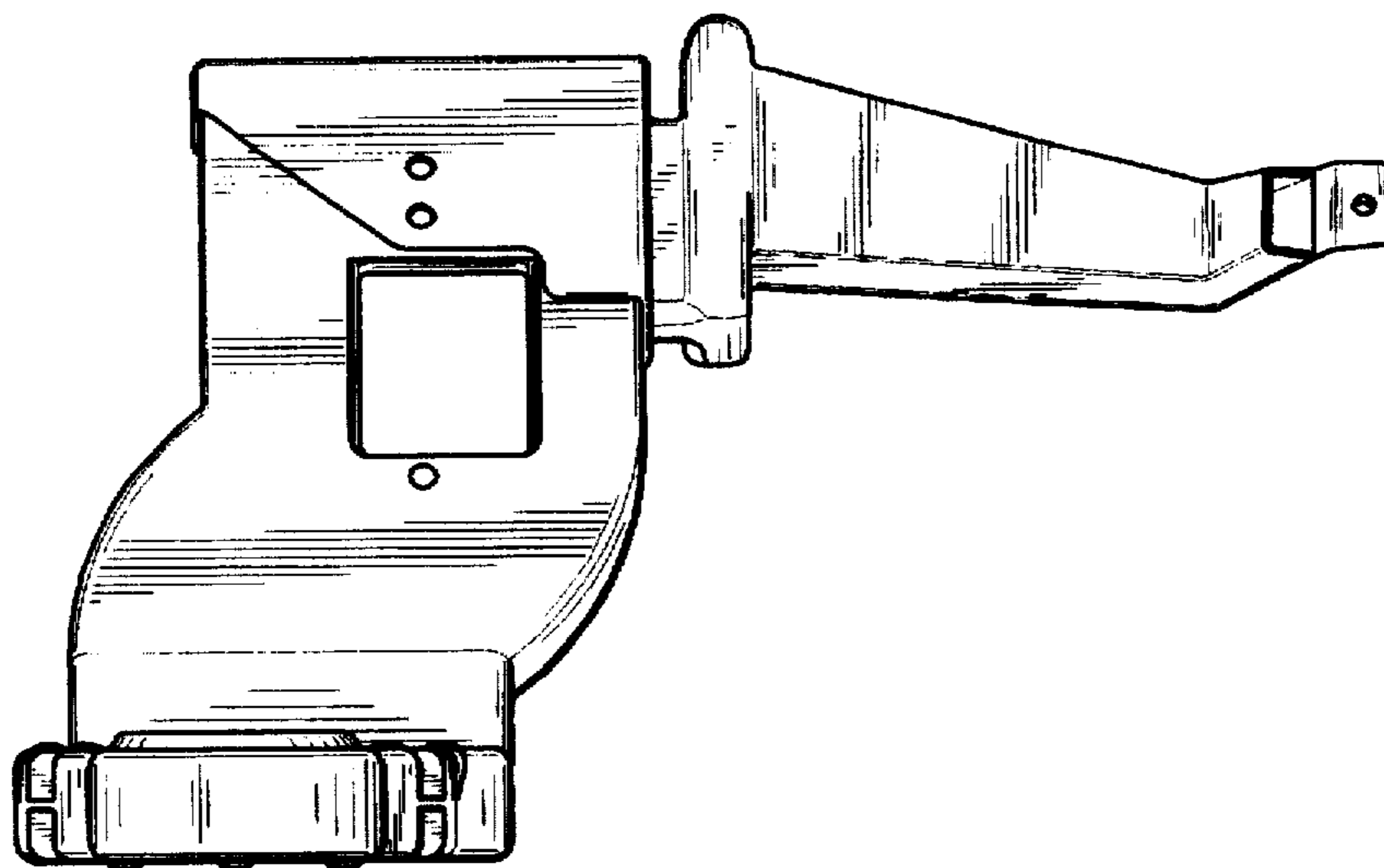


FIG. 7

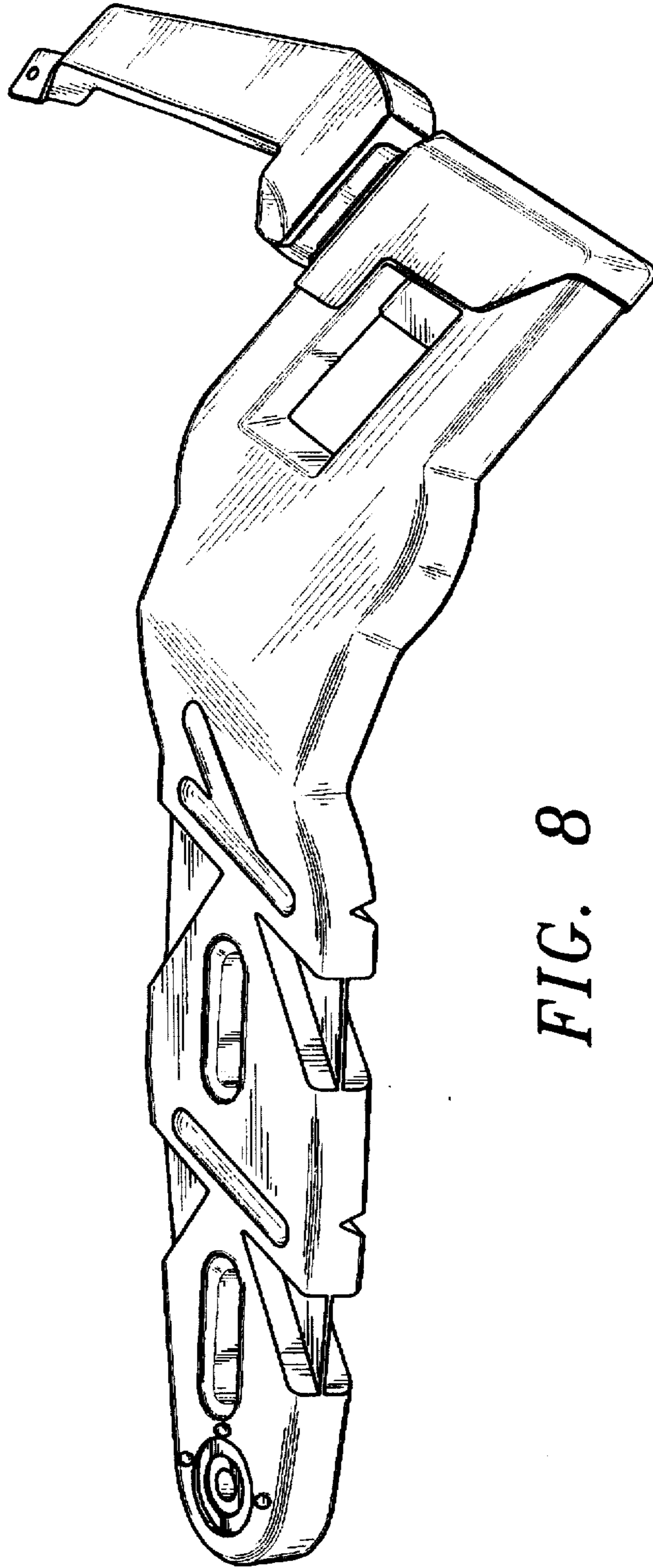


FIG. 8