



US00D394606S

United States Patent [19]

Zorn et al.

[11] Patent Number: Des. 394,606

[45] Date of Patent: **May 26, 1998

[54] CARTON FOR FOOD PRODUCTS

5,014,855 5/1991 Roccaforte 229/228

[75] Inventors: Shelley Marie Zorn, Chicago, Ill.;
Steve John Block, Cincinnati, Ohio

FOREIGN PATENT DOCUMENTS

4206546 9/1993 Germany 229/125.19

[73] Assignees: Kraft Foods, Inc., Northfield, Ill.; Fort
James Operating Company, Milford,
Ohio

Primary Examiner—Ted Shooman
Assistant Examiner—Nanda Bondade
Attorney, Agent, or Firm—Fitch, Even, Tabin & Flannery

[**] Term: 14 Years

[57] CLAIM

[21] Appl. No.: 68,292

The ornamental design for a carton for food products, as shown and described.

[22] Filed: Mar. 27, 1997

DESCRIPTION

[51] LOC (6) Cl. 09-07

[52] U.S. Cl. D9/432; D9/416

[58] Field of Search D9/346, 414, 416,
D9/423, 432, 433; 229/125.19, 145, 228

FIG. 1 is a perspective view of a carton for food products showing my new design;

FIG. 2 is a front elevational view thereof;

FIG. 3 is a top plan view thereof;

FIG. 4 is a side elevational view thereof, taken from the right-hand side of FIG. 2, the left-hand side view being a mirror image;

FIG. 5 is a rear elevational view thereof; and,

FIG. 6 is a bottom plan view thereof.

The broken line showing on FIGS. 1 and 2 represent tear lines.

[56] References Cited

U.S. PATENT DOCUMENTS

D. 293,211	12/1987	DePaul et al.	D9/432 X
D. 376,759	12/1996	Bradfield	D9/432
2,527,705	10/1950	Crary et al.	D9/430
3,506,184	4/1970	Barnes	229/145 X
4,083,455	4/1978	Keating, Jr.	229/145 X
4,756,470	7/1988	DePaul	229/228 X

1 Claim, 2 Drawing Sheets

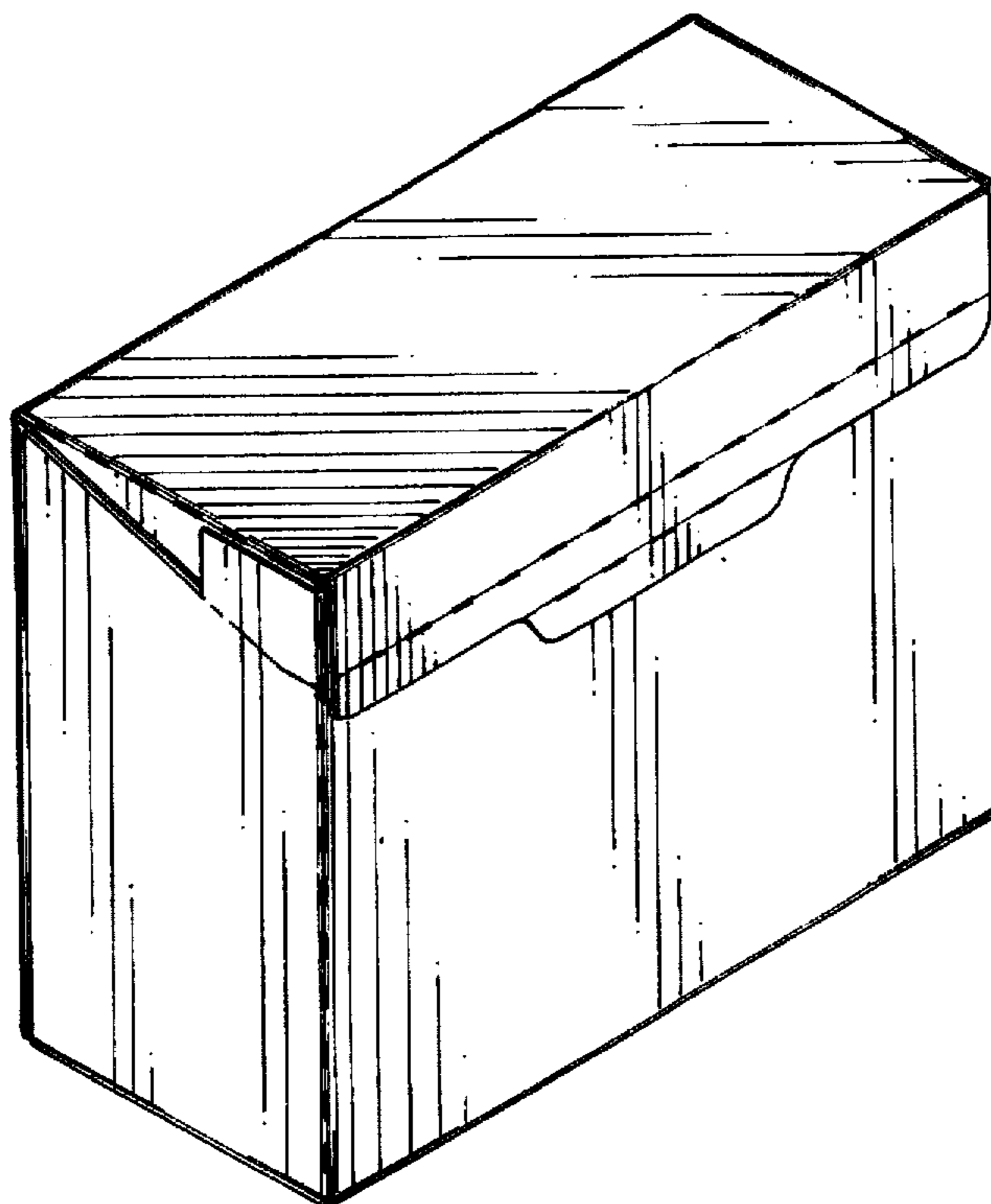


Fig. 1

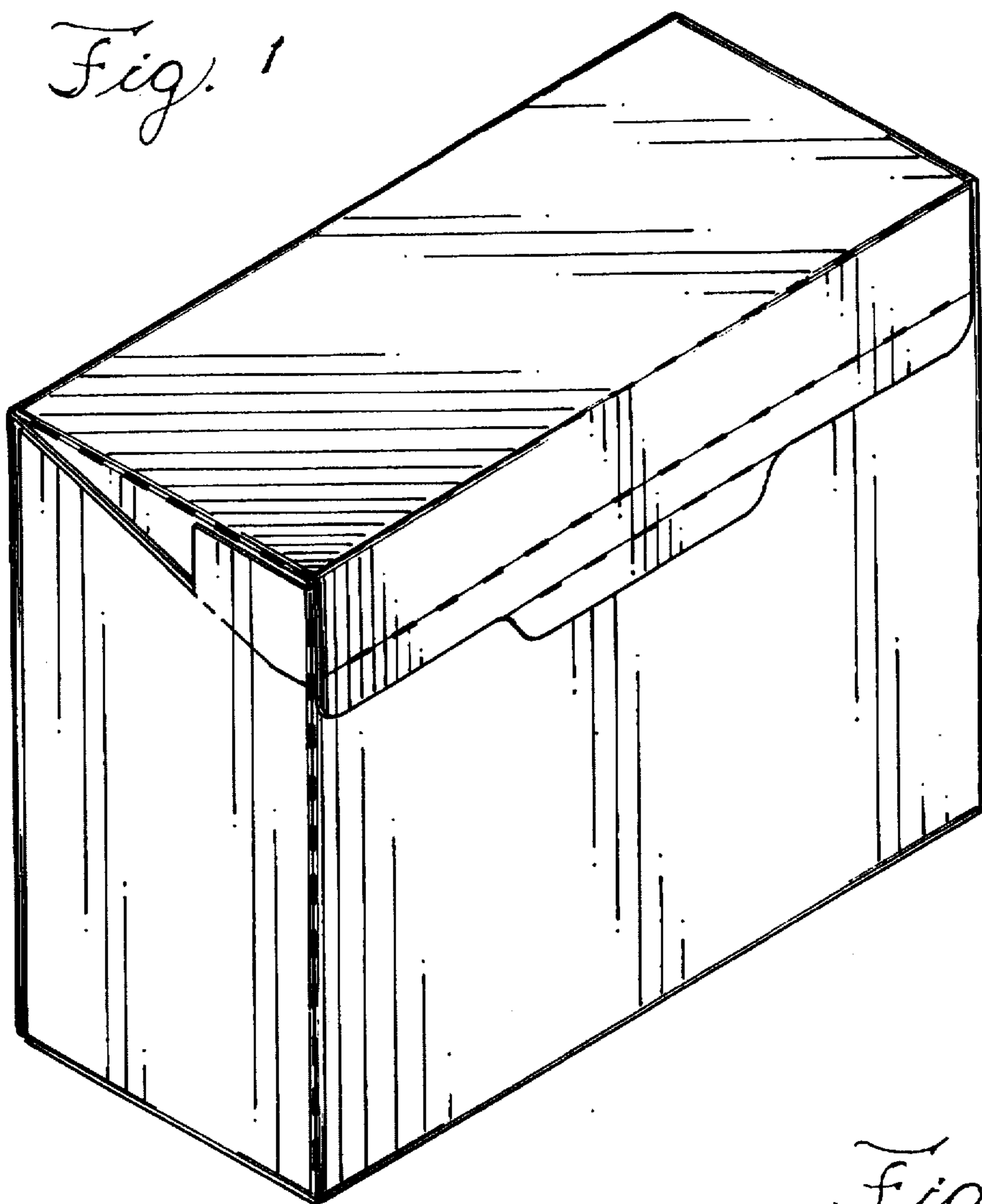


Fig. 2

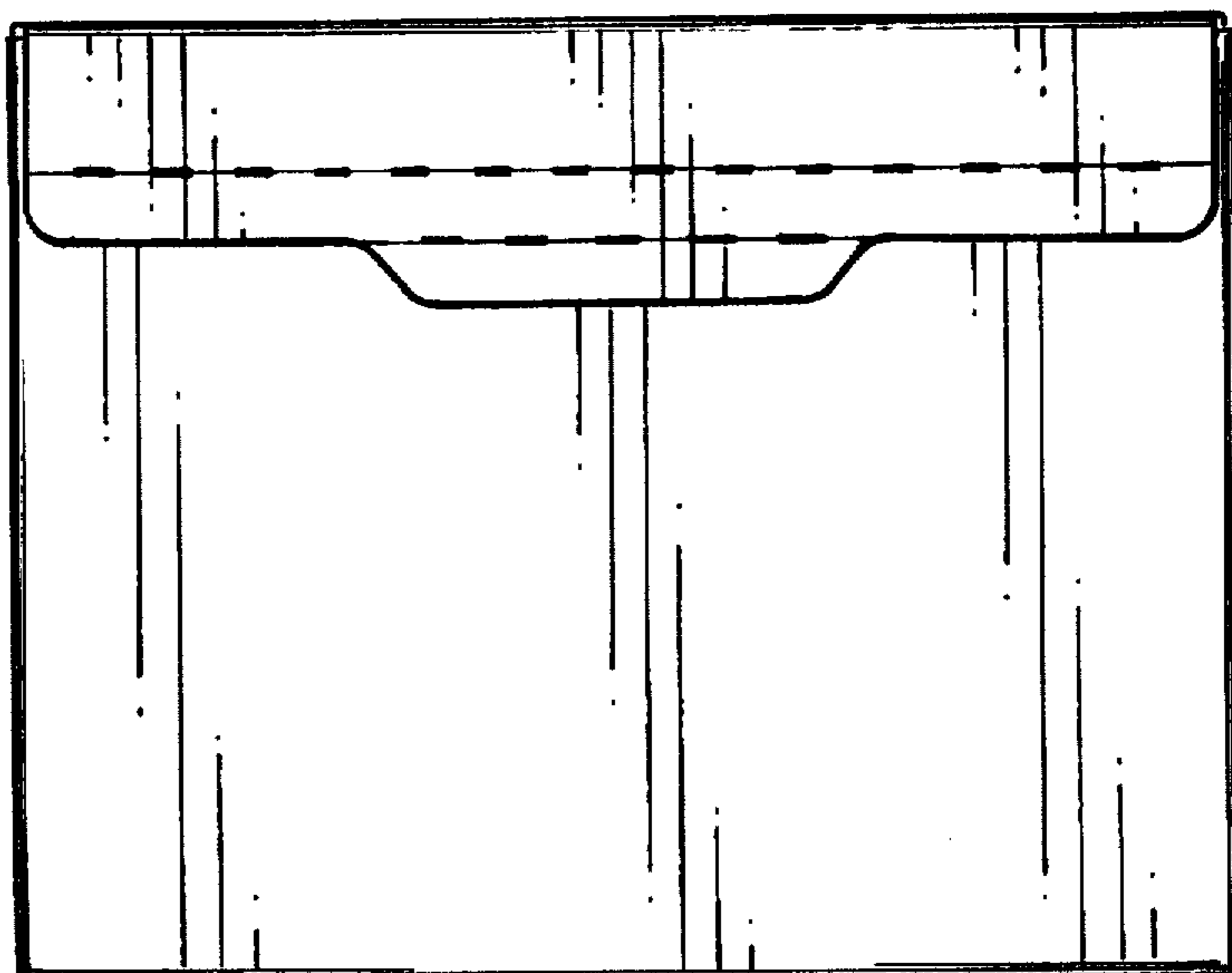


Fig. 3

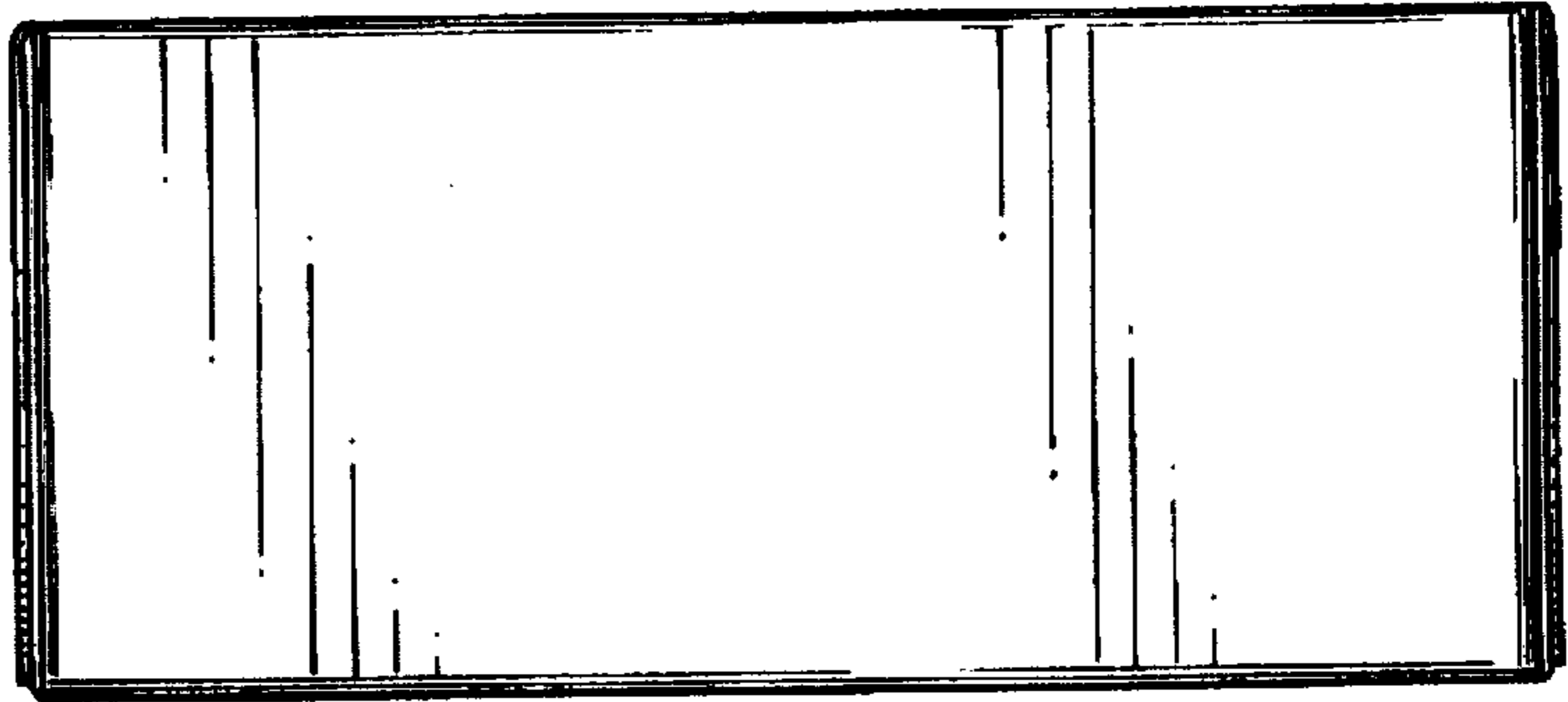


Fig. 4

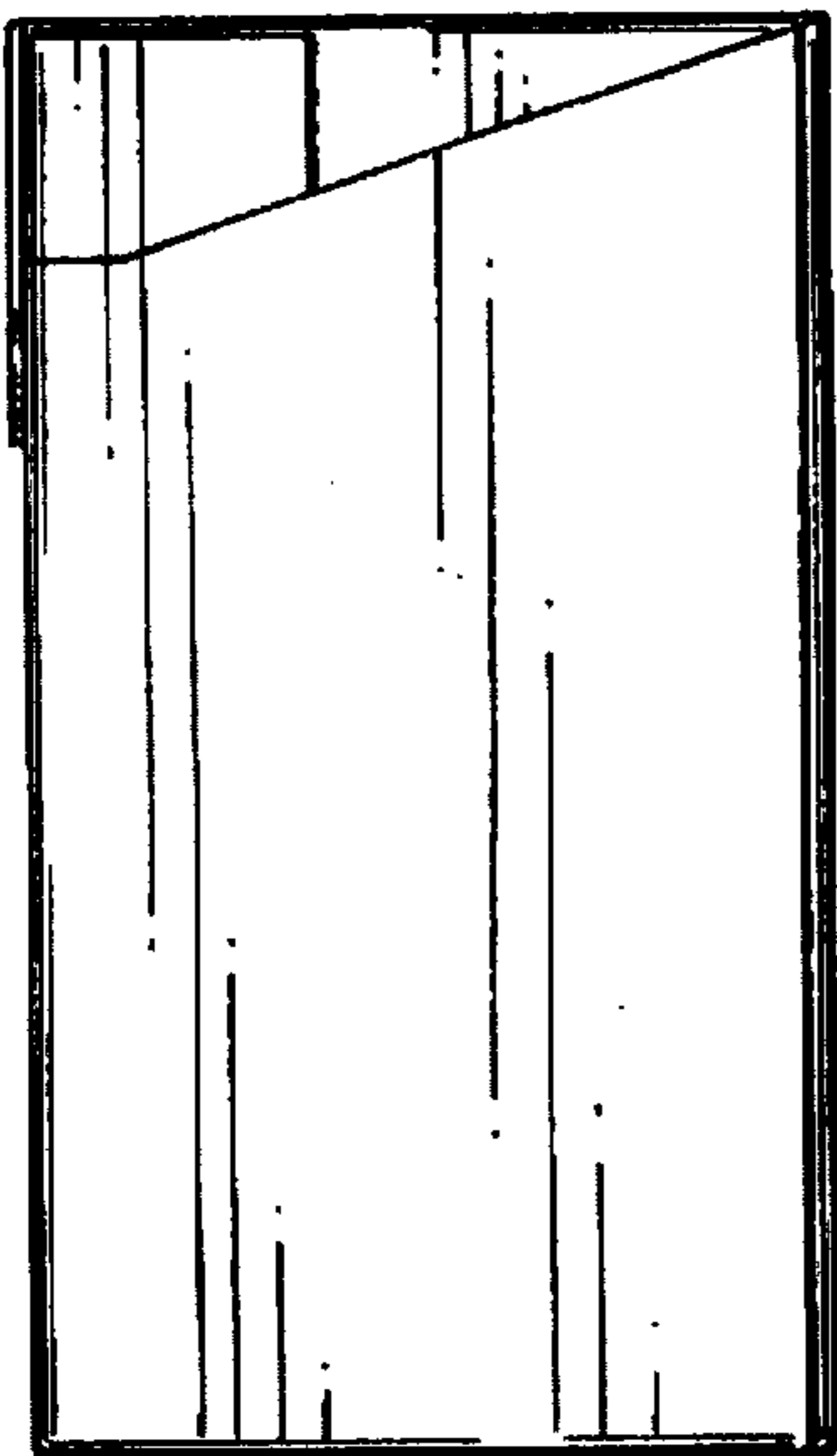


Fig. 5

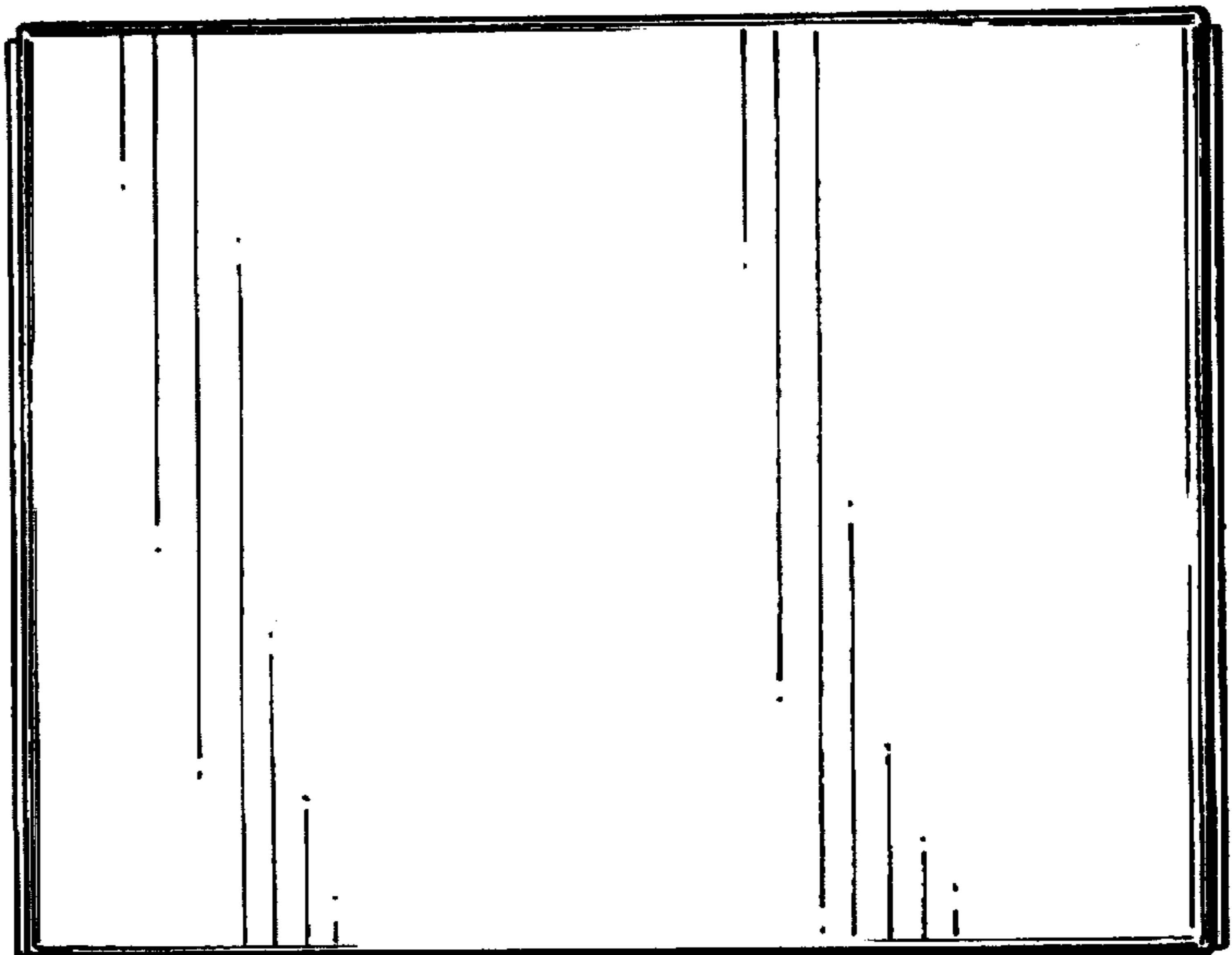


Fig. 6

