

US00D394605S

United States Patent [19]

Skiba et al.

[11] Patent Number: **Des. 394,605**

[45] Date of Patent: ****May 26, 1998**

[54] **RESEALABLE PACKAGE**

[75] Inventors: **Barbara T. Skiba**, Chicago; **Steven W. Hickman**, Woodstock; **Lawrence G. Ponsi**, Wheeling, all of Ill.

[73] Assignee: **Sage Products, Inc.**, Crystal Lake, Ill.

[**] Term: **14 Years**

[21] Appl. No.: **57,227**

[22] Filed: **Jul. 19, 1996**

[51] LOC (6) Cl. **09-05**

[52] U.S. Cl. **D9/305**

[58] Field of Search **D9/302, 305, 306; D3/303; D24/118; 229/123.1; 383/8-10, 89, 90, 210, 211**

[56] **References Cited**

U.S. PATENT DOCUMENTS

2,944,706	7/1960	Moore	D9/302	X
3,301,466	1/1967	Perino et al.	D9/305	X
3,502,487	3/1970	Byrd	D9/305	X
4,552,269	11/1985	Chang	383/66	X

4,739,879	4/1988	Nakamura	383/211	X
4,840,270	6/1989	Caputo et al.	229/123.1	X
5,409,116	4/1995	Aronsen	383/211	X

FOREIGN PATENT DOCUMENTS

546369	6/1993	European Pat. Off.	383/66	
--------	--------	--------------------	-------	--------	--

Primary Examiner—Jeffrey Asch
Assistant Examiner—Cathron B. Matta
Attorney, Agent, or Firm—Lee, Mann, Smith, McWilliams, Sweeney & Ohlson

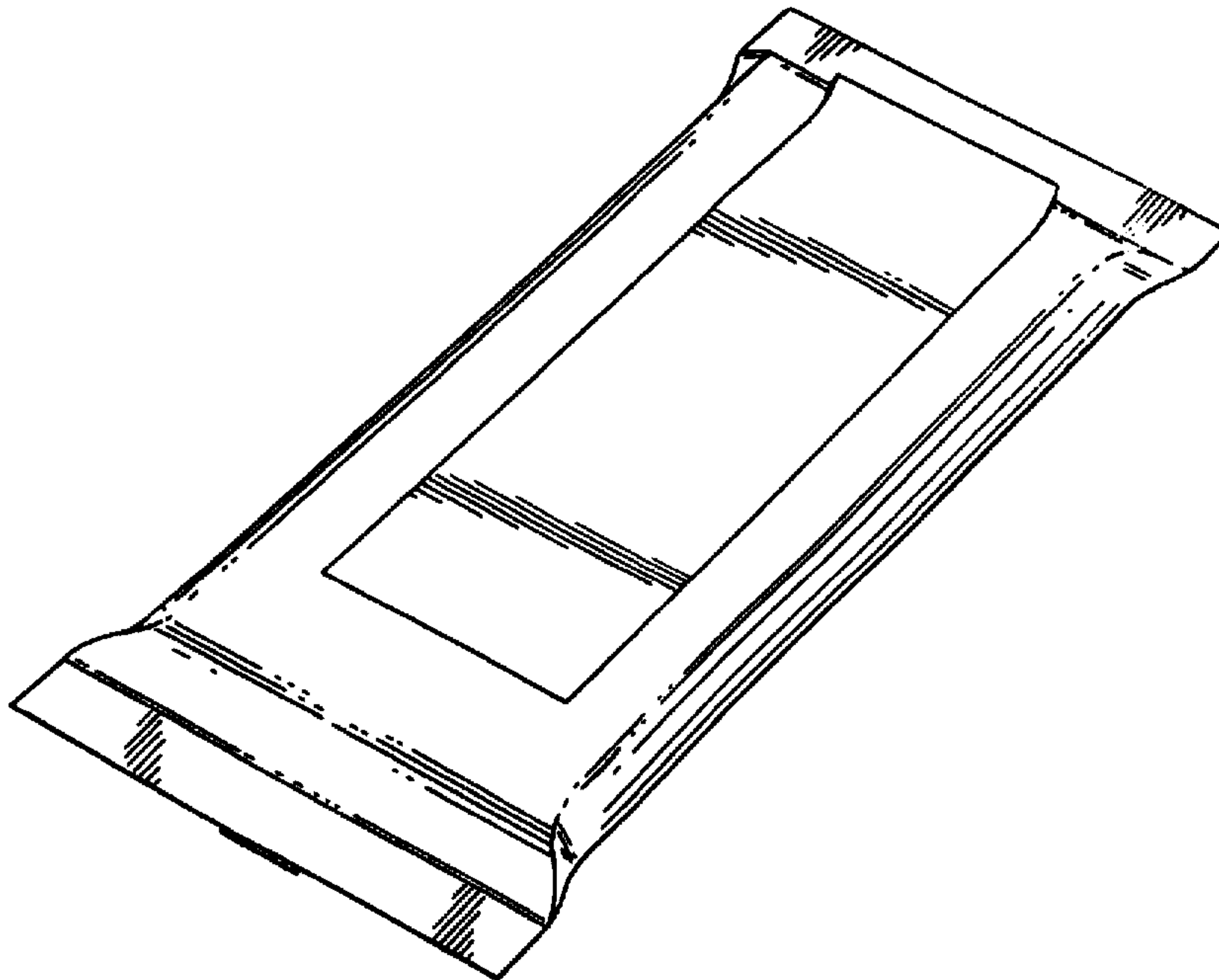
[57] **CLAIM**

The ornamental design for a resealable package, as shown and described.

DESCRIPTION

FIG. 1 is a top perspective view of a resealable package, according to our invention;
FIG. 2 is an elevational illustration of one end of the package, with the opposite end being a mirror image thereof;
FIG. 3 is a side elevational view of the package, with the opposite side being a mirror image thereof; and,
FIG. 4 is a bottom plan view thereof.

1 Claim, 1 Drawing Sheet



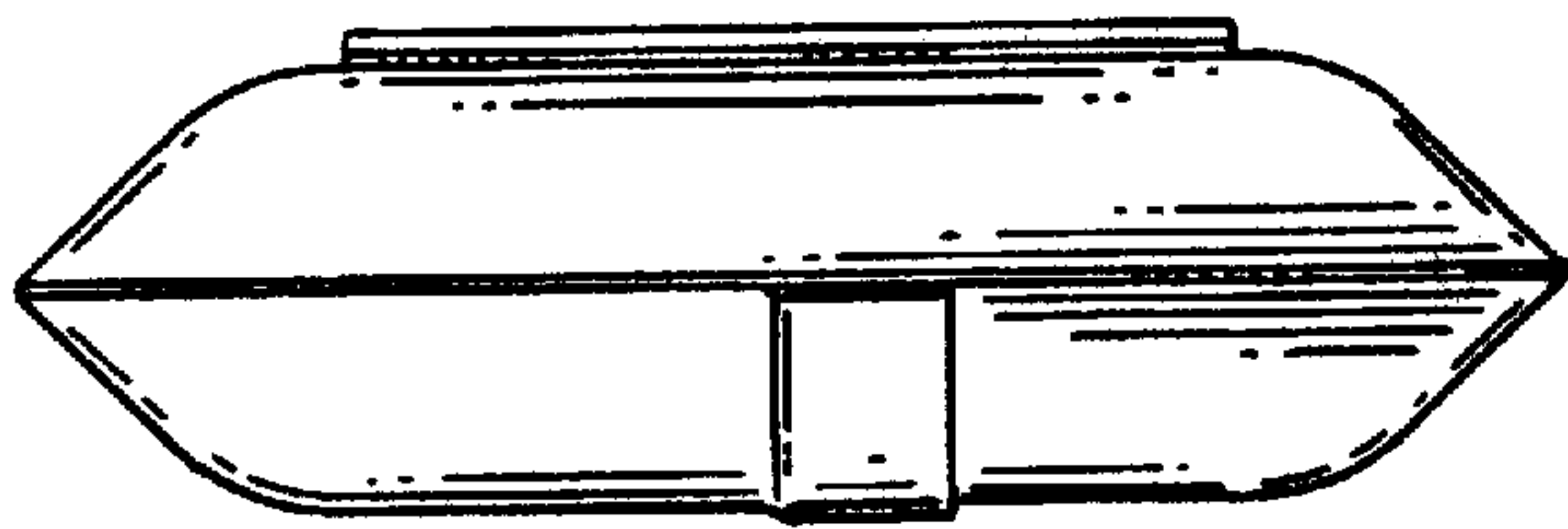


FIG. 2.

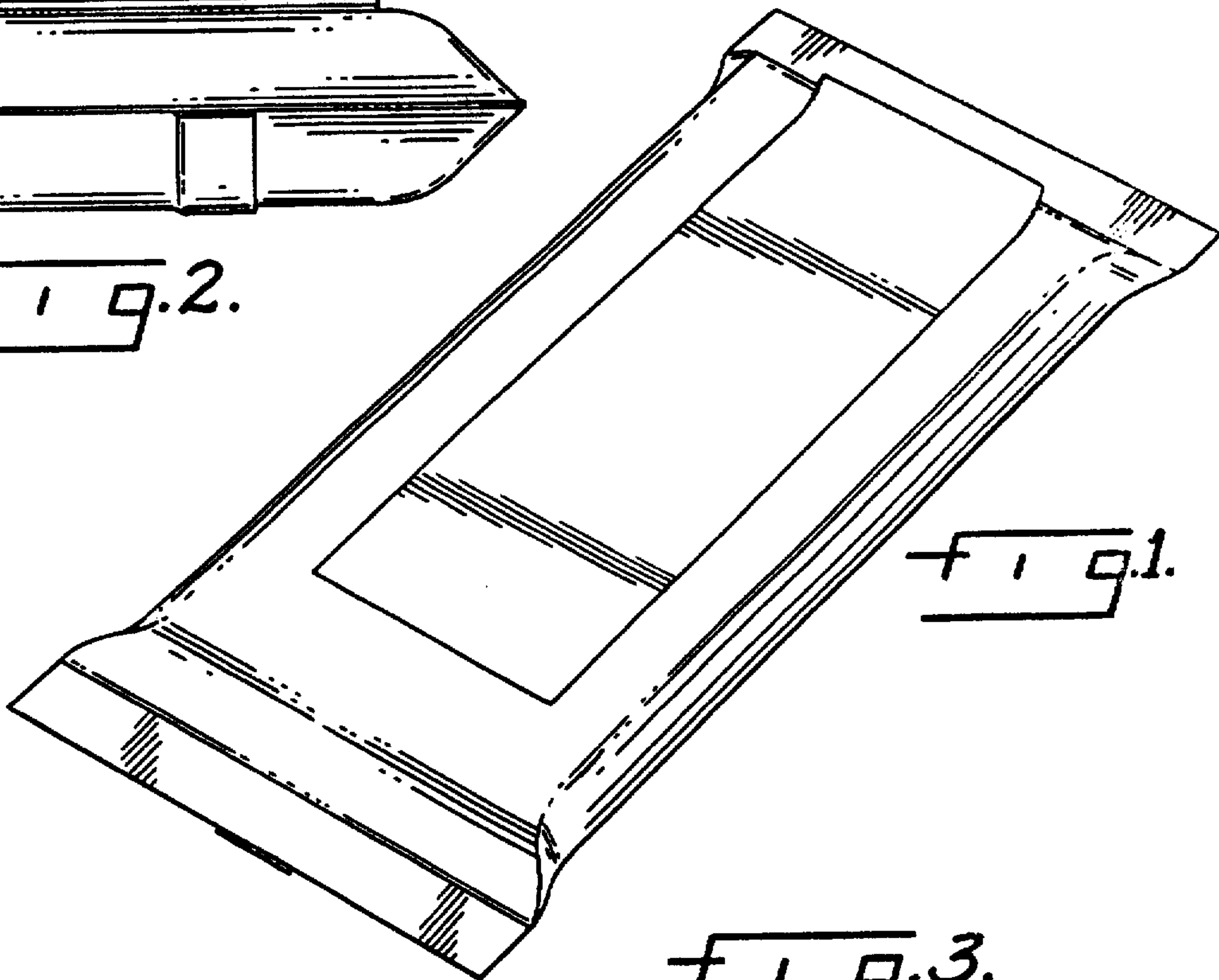


FIG. 1.

FIG. 3.

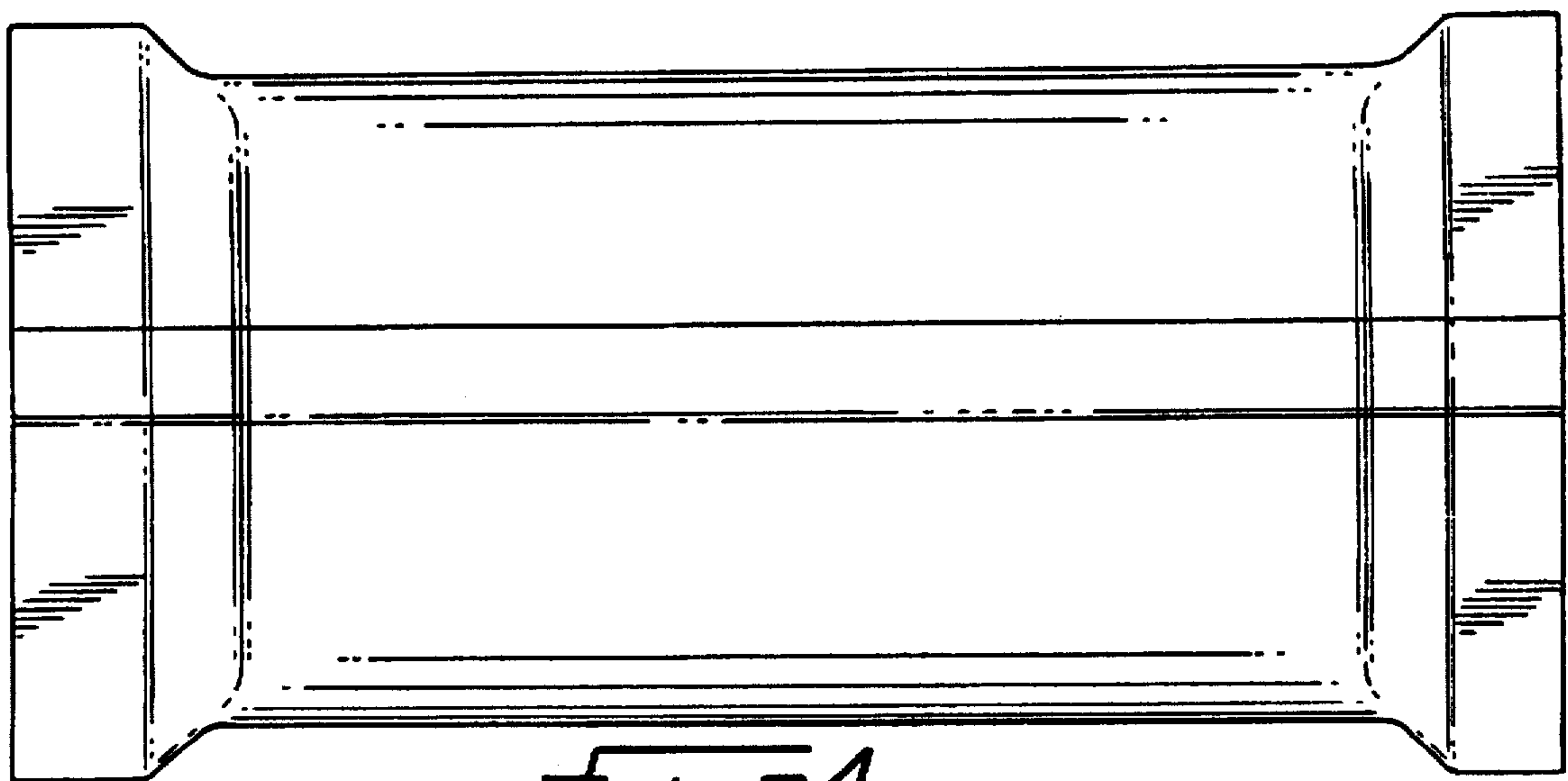
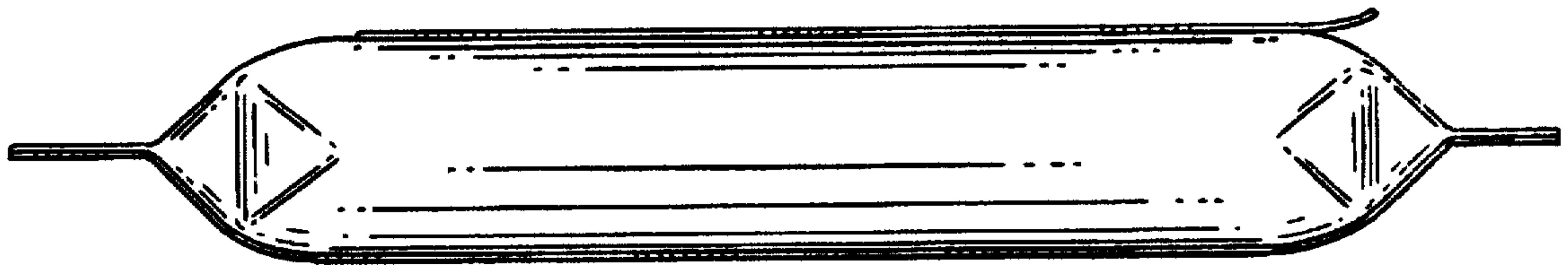


FIG. 4.