



US00D394600S

**United States Patent** [19]  
**McCoy et al.**

[11] **Patent Number: Des. 394,600**  
[45] **Date of Patent: \*\*May 26, 1998**

[54] **SPRING BAR SECURING BRACKET**

[75] **Inventors: Richard McCoy, Granger; Chad A. McCoige, Mishawaka, both of Ind.**

[73] **Assignee: Reese Products, Inc., Elkhart, Ind.**

[\*\*] **Term: 14 Years**

[21] **Appl. No.: 61,164**

[22] **Filed: Oct. 17, 1996**

[51] **LOC (6) Cl. .... 08-05**

[52] **U.S. Cl. .... D8/354**

[58] **Field of Search ..... D8/372, 380, 354;  
248/300, 309.1, 301, 304, 339**

[56] **References Cited**

**U.S. PATENT DOCUMENTS**

|            |         |                |       |        |   |
|------------|---------|----------------|-------|--------|---|
| D. 138,739 | 9/1944  | Harris         | ..... | D8/380 | X |
| D. 207,870 | 6/1967  | Laurini        | ..... | D8/372 | X |
| D. 274,601 | 7/1984  | Helmle         | ..... | D8/380 |   |
| D. 282,048 | 1/1986  | Scanlon        | ..... | D8/354 | X |
| D. 283,485 | 4/1986  | Rader et al.   | ..... | D5/354 |   |
| D. 285,529 | 9/1986  | Huxhold et al. | ..... | D8/372 |   |
| 1,472,955  | 11/1923 | Behringer      | .     |        |   |

**FOREIGN PATENT DOCUMENTS**

836636 6/1970 United Kingdom ..... D8/363 X

**OTHER PUBLICATIONS**

Reese Products, Applications & Towing Accessories Catalog; 1996; pp. 11-13.

*Primary Examiner*—Susan J. Lucas  
*Assistant Examiner*—Cynthia F. Ramirez  
*Attorney, Agent, or Firm*—King and Schickli

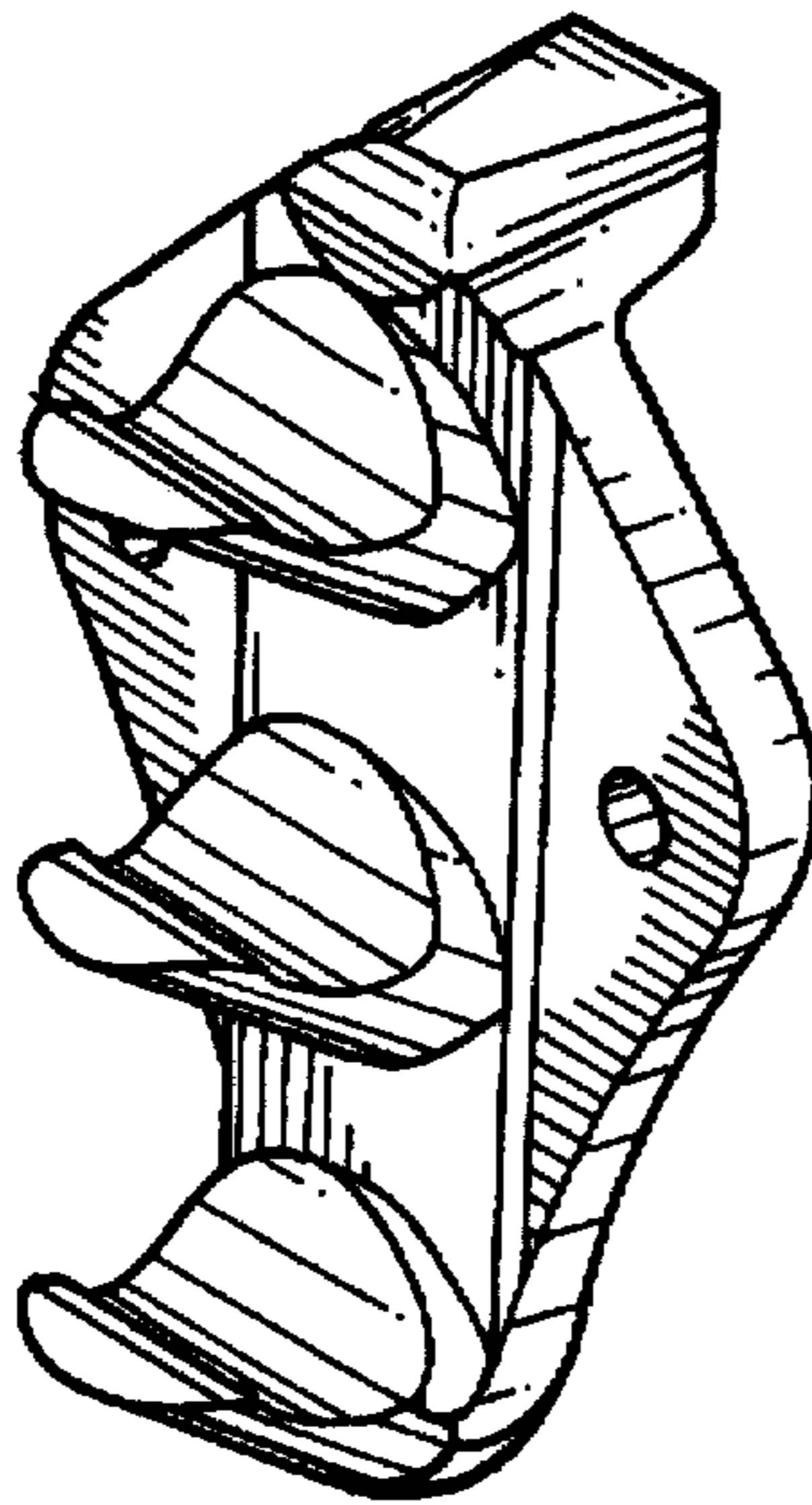
[57] **CLAIM**

The ornamental design of a spring bar securing bracket, as shown and described.

**DESCRIPTION**

FIG. 1 is a perspective view of the spring bar securing bracket of the present invention;  
FIG. 2 is a right side elevational view thereof;  
FIG. 3 is a front elevational view thereof;  
FIG. 4 is a left side elevational view thereof;  
FIG. 5 is a rear view thereof;  
FIG. 6 is a top plan view thereof; and,  
FIG. 7 is a bottom plan view thereof.

**1 Claim, 2 Drawing Sheets**



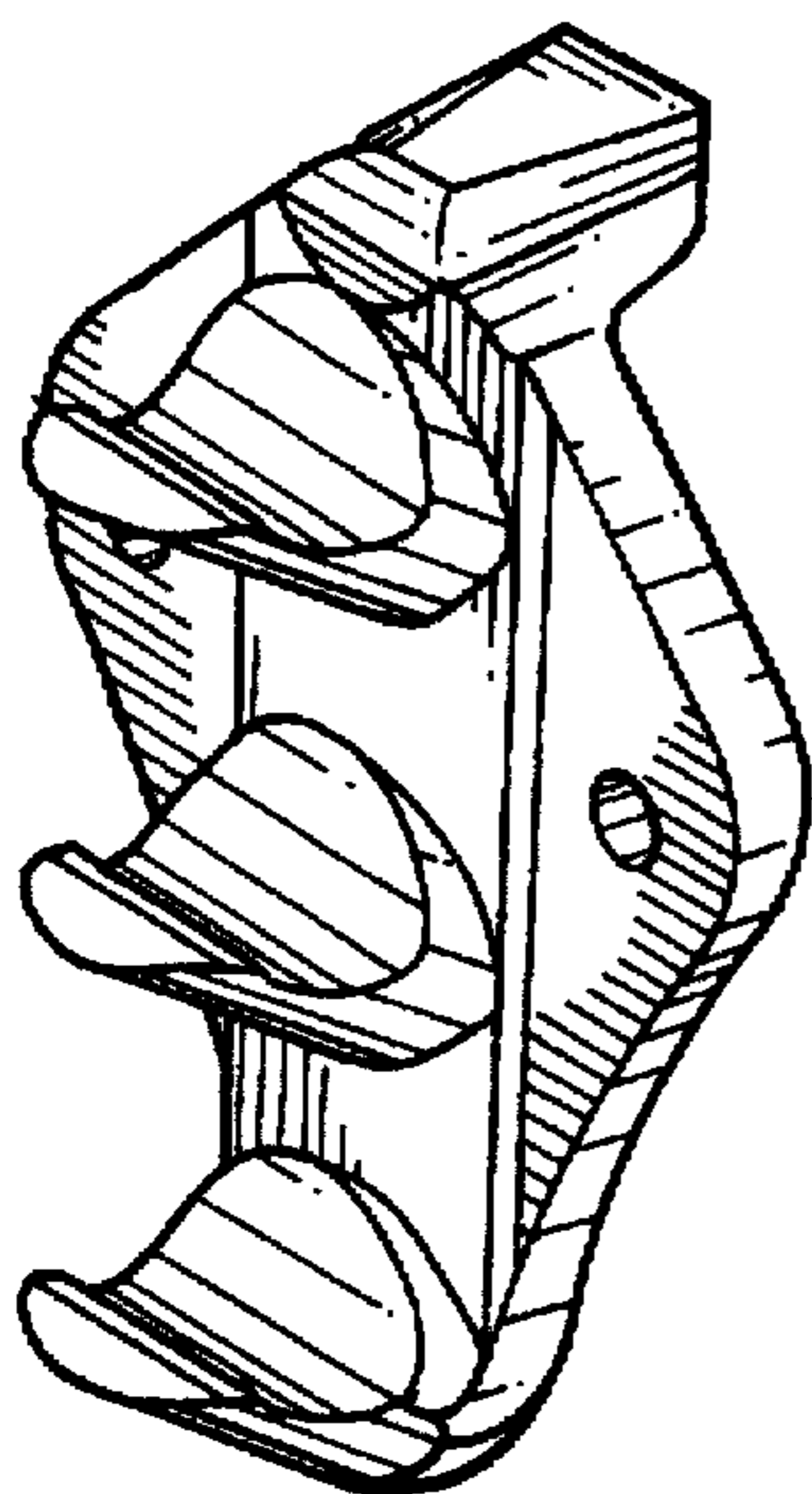


FIG. 1

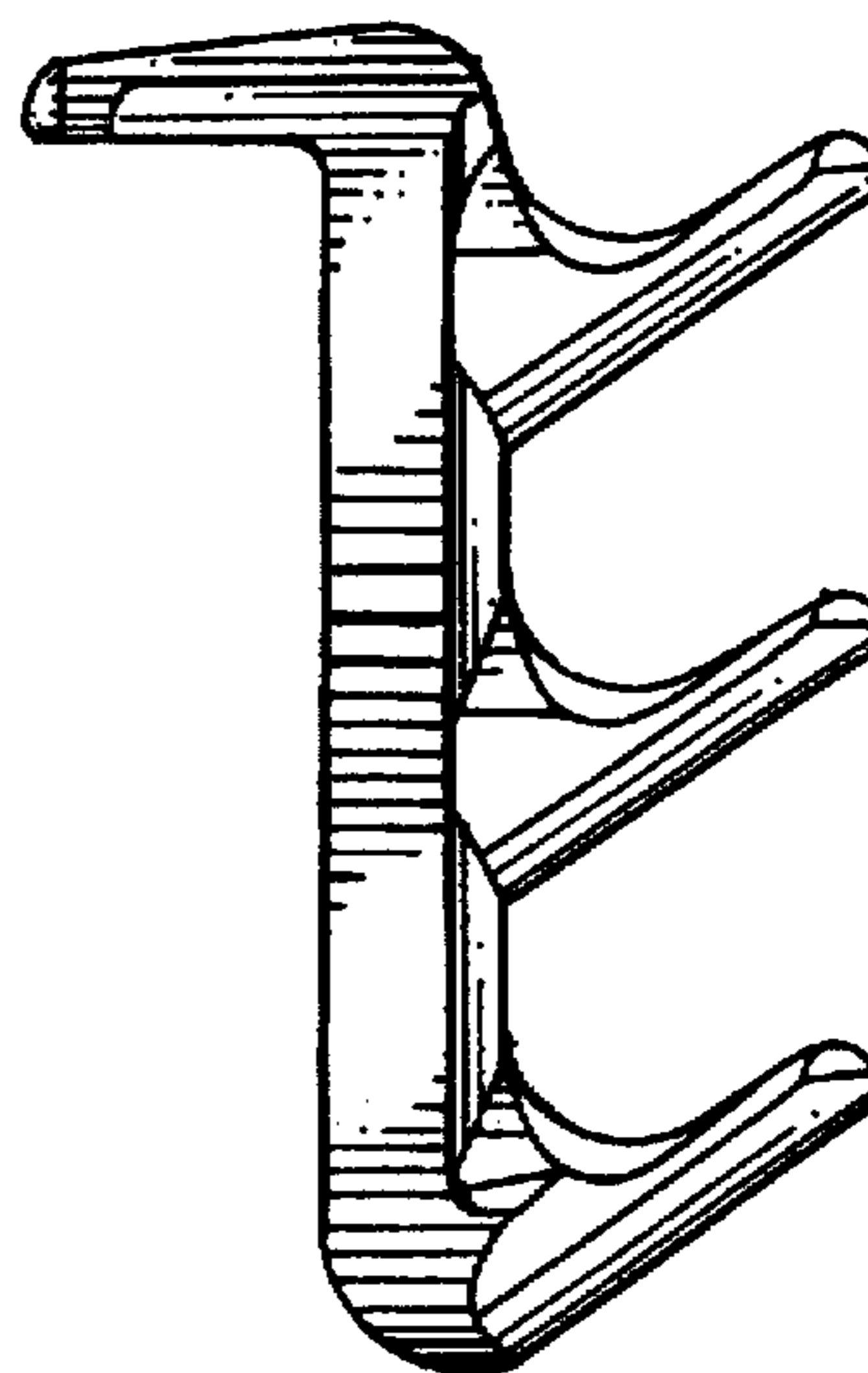


FIG. 2

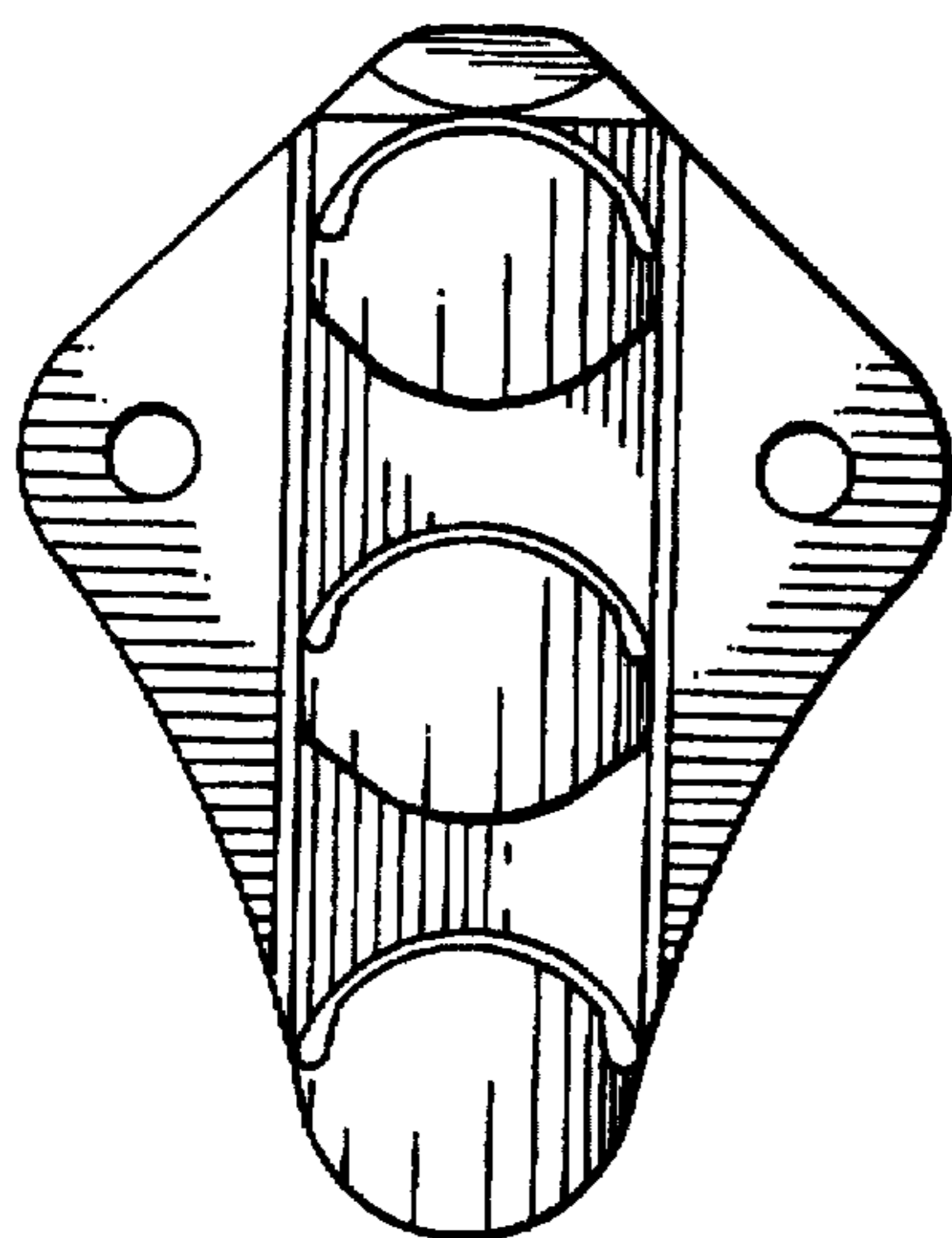


FIG. 3

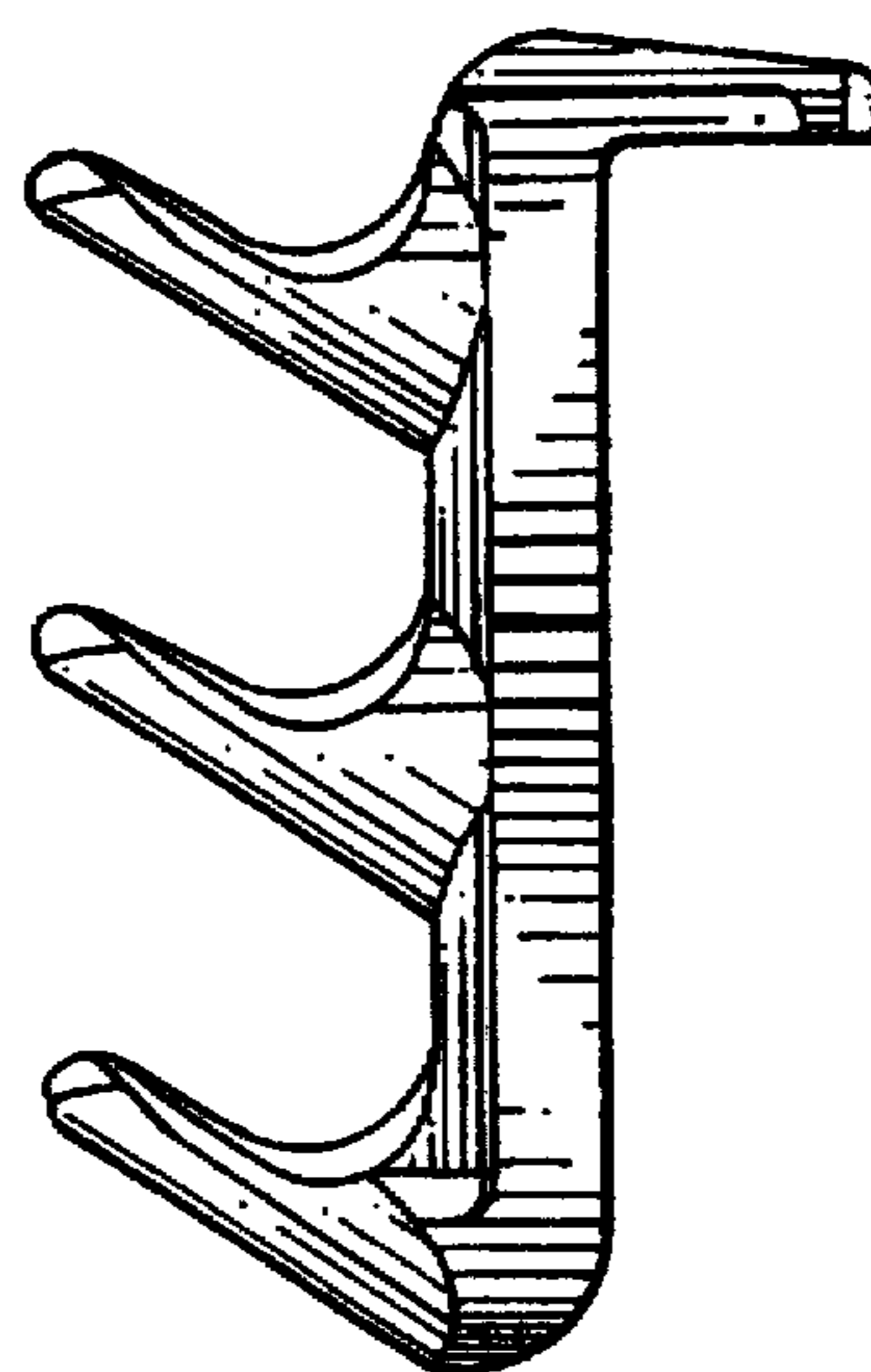


FIG. 4

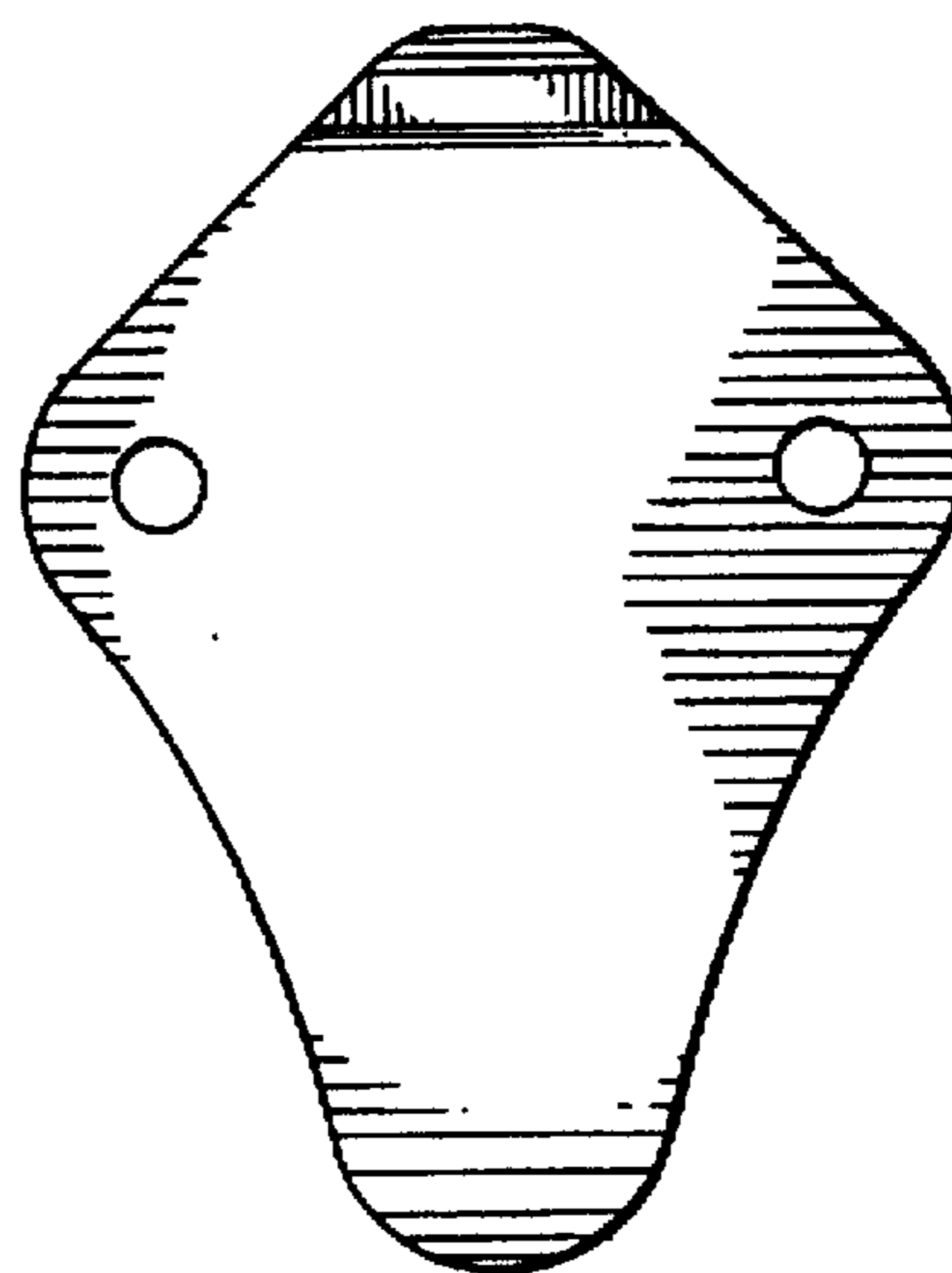


FIG. 5

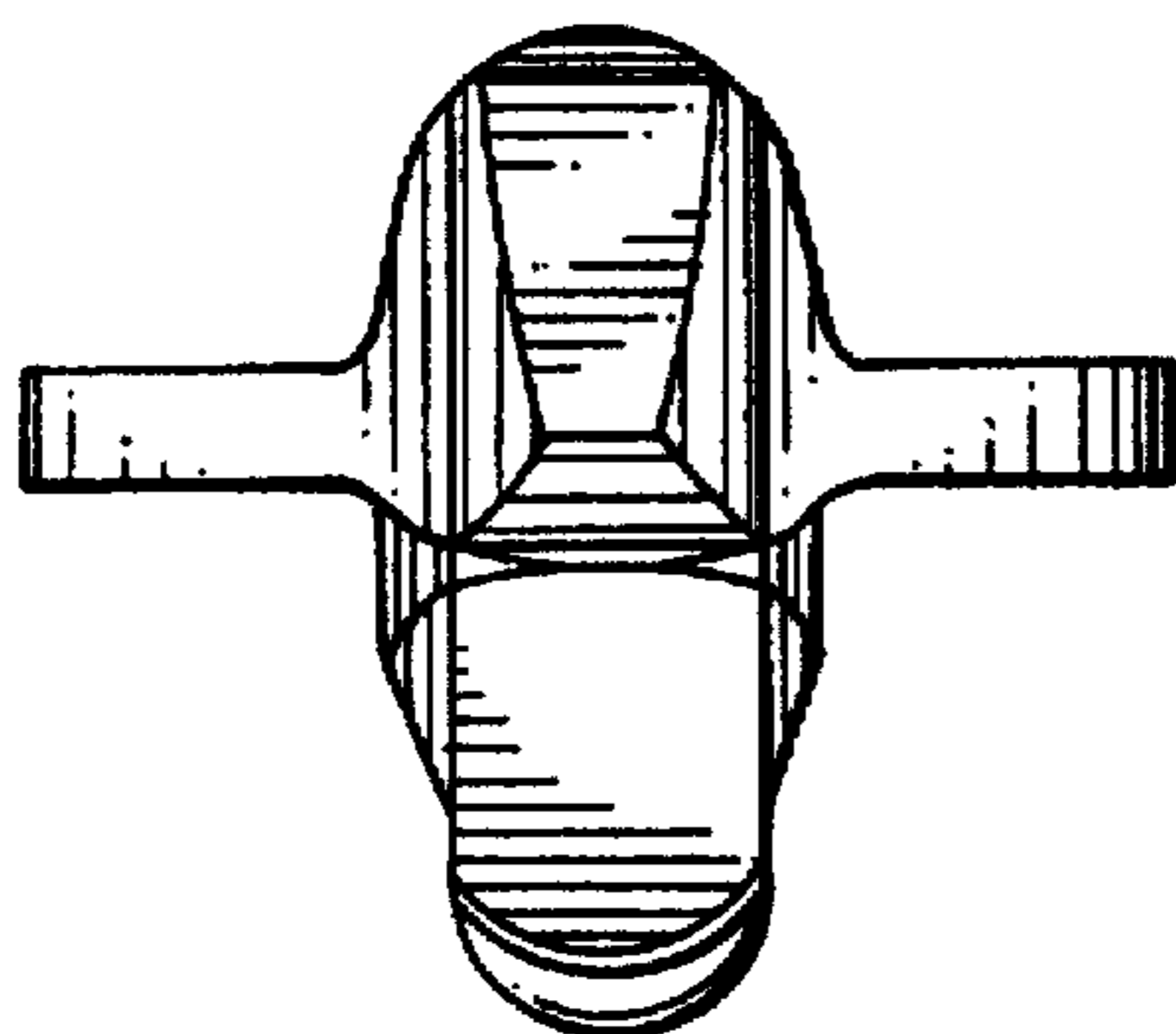


FIG. 6

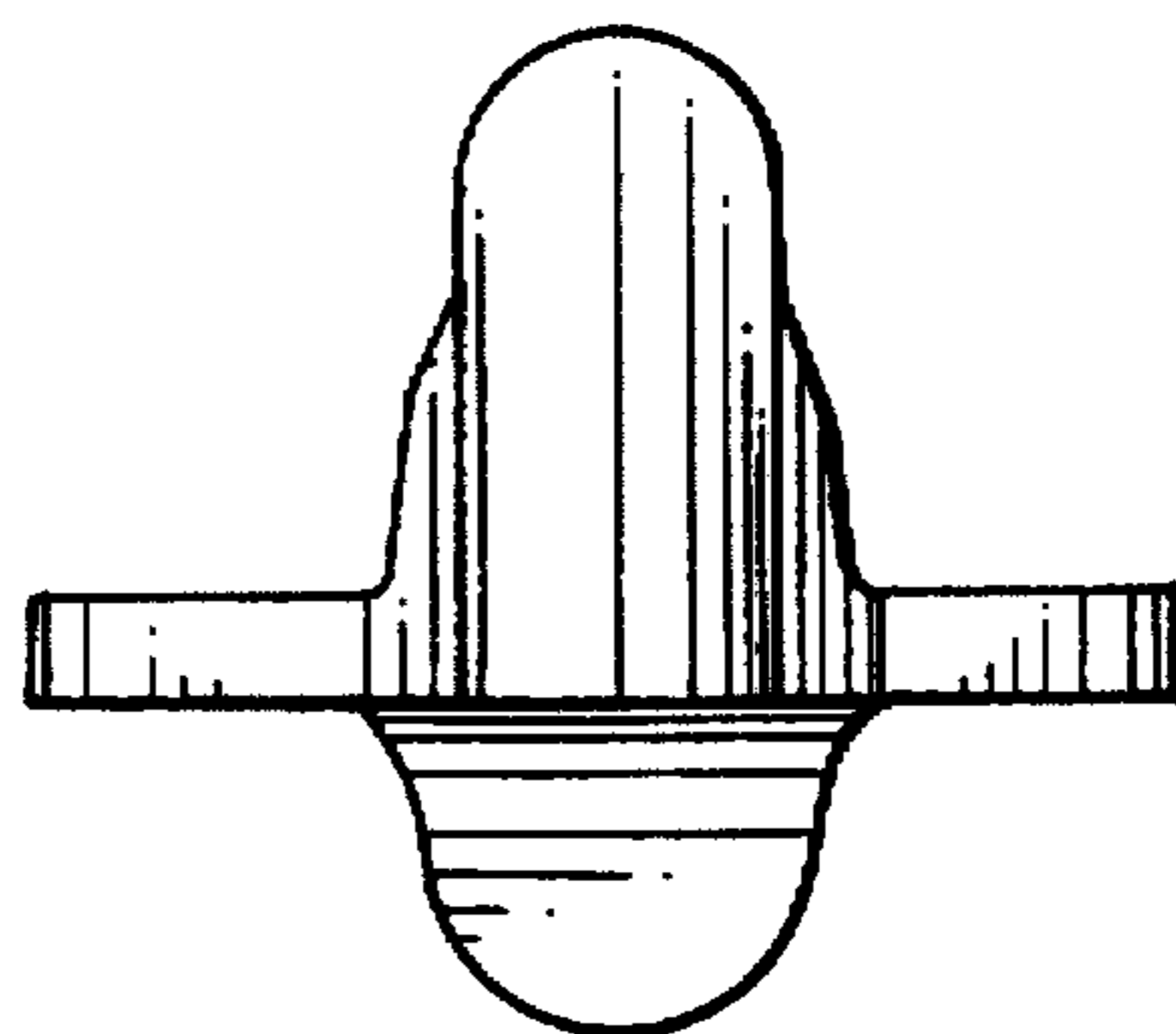


FIG. 7