



US00D394597S

United States Patent [19]

Shepherd et al.

[11] Patent Number: **Des. 394,597**

[45] Date of Patent: ****May 26, 1998**

[54] **UTILITY KNIFE**

[75] Inventors: **Charles G. Shepherd, Oakville;**
Edward A. Fungler, Burlington, both of
Canada

[73] Assignee: **The Nack Company Limited,**
Burlington, Canada

[**] Term: **14 Years**

[21] Appl. No.: **66,032**

[22] Filed: **Feb. 4, 1997**

[30] **Foreign Application Priority Data**

Aug. 6, 1996 [CA] Canada 1996-1752

[51] LOC (6) Cl. **08-03**

[52] U.S. Cl. **D8/99**

[58] Field of Search D8/98, 99; 30/162,
30/320, 329, 335, 337

[56] **References Cited**

U.S. PATENT DOCUMENTS

D. 305,096 12/1989 Tench et al. D8/99

D. 336,029	6/1993	Ragland et al.	D8/99
D. 349,227	8/1994	Ragland et al.	D8/99
4,761,882	8/1988	Silverstein	30/162
4,897,920	2/1990	Dunbar	30/162
4,939,839	7/1990	Gorst	30/162
5,042,154	8/1991	Gilbert	30/162
5,426,855	6/1995	Keklak et al.	30/162

Primary Examiner—Philip S. Hyder
Attorney, Agent, or Firm—Rogers & Scott

[57] **CLAIM**

The ornamental design for a utility knife, as shown.

DESCRIPTION

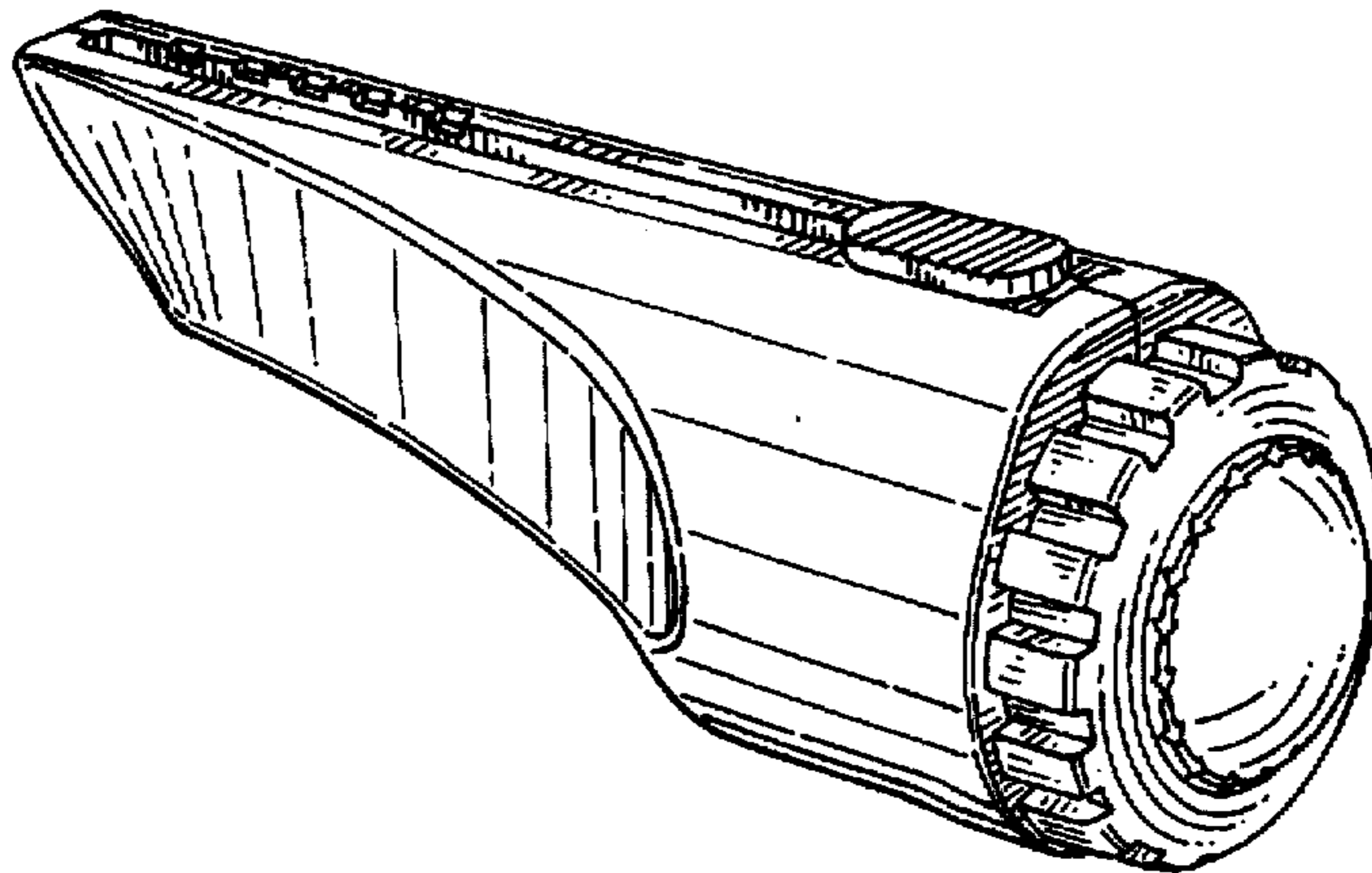
FIG. 1 is a perspective view of the utility knife from the left and rear;

FIG. 2 is a perspective view from the right and front thereof, also showing the underneath;

FIG. 3 is a side view thereof; and,

FIG. 4 is a top view thereof.

1 Claim, 2 Drawing Sheets



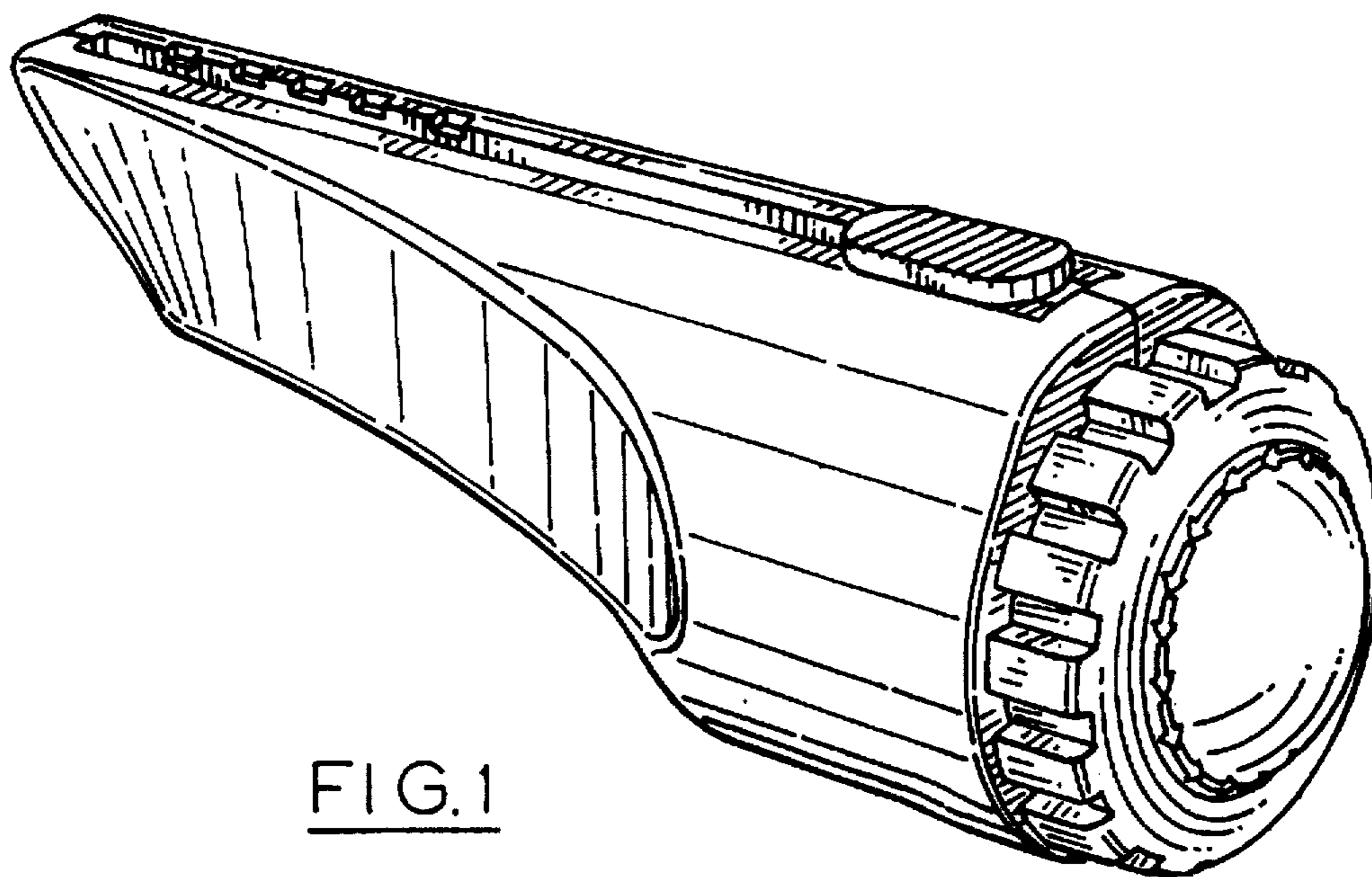


FIG. 1

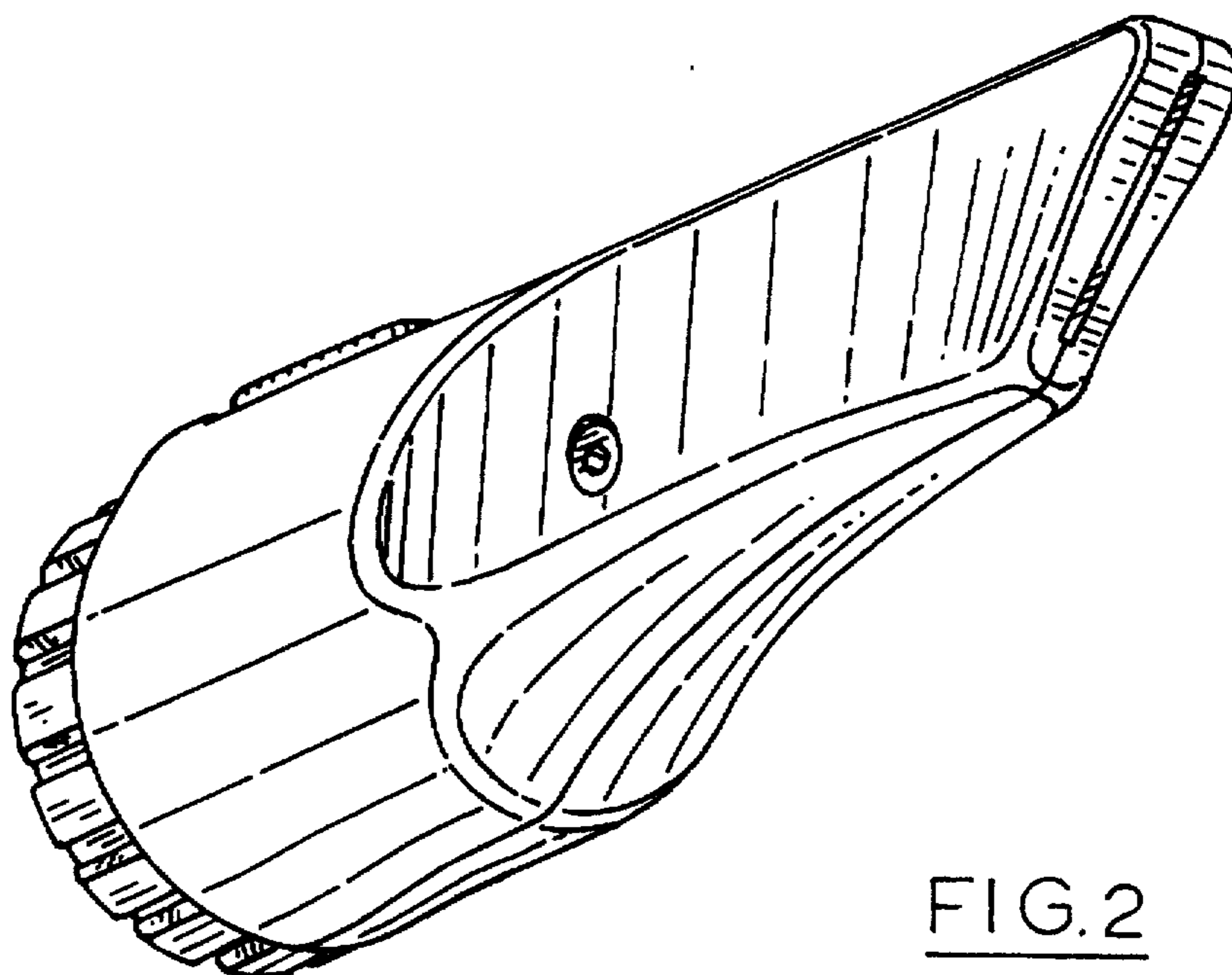


FIG. 2

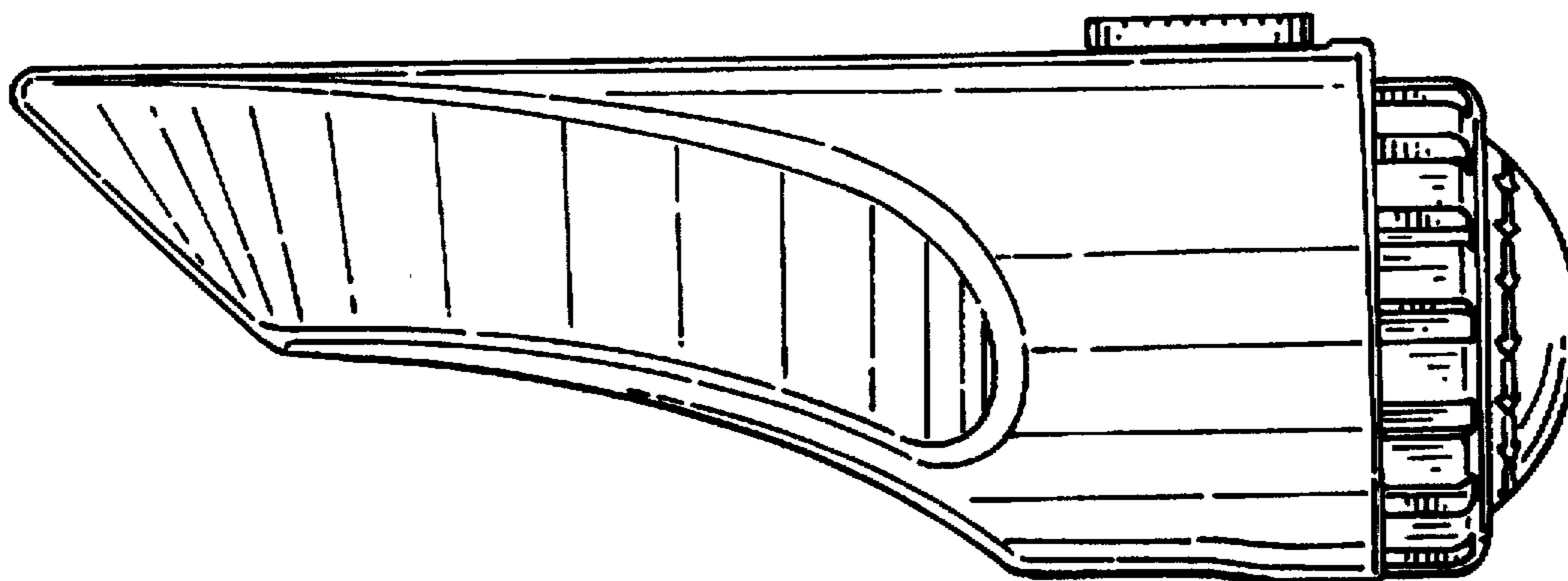


FIG. 3

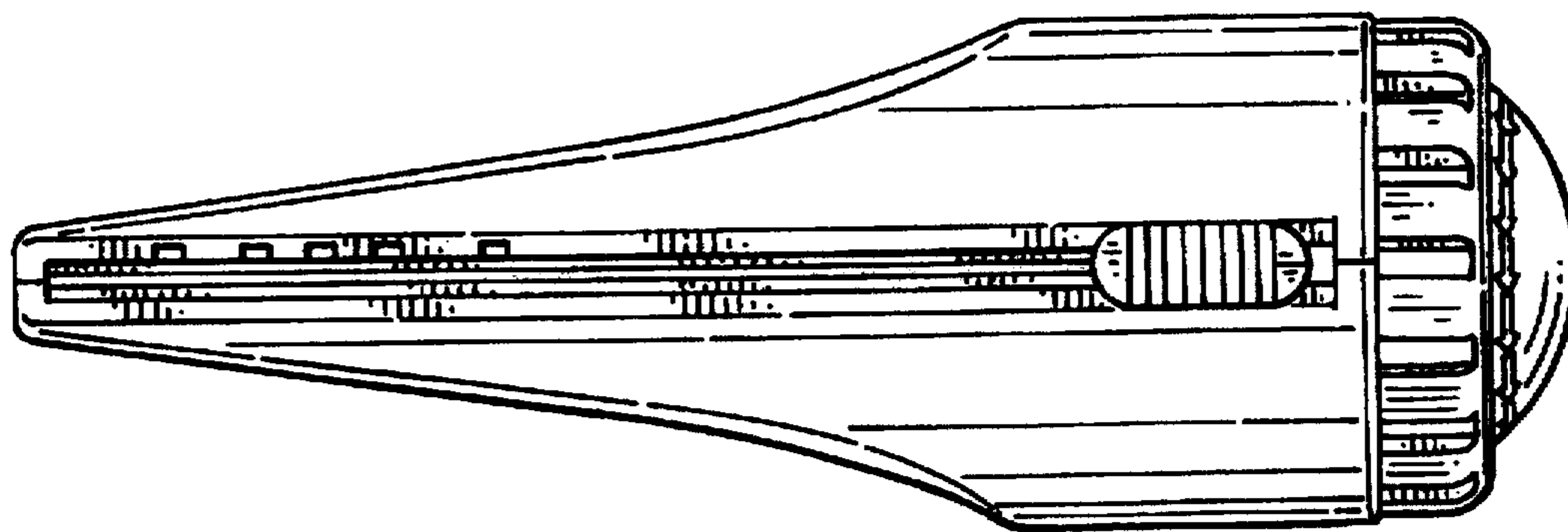


FIG. 4