



US00D394594S

United States Patent [19] Chung

[11] Patent Number: Des. 394,594
[45] Date of Patent: **May 26, 1998

[54] GRINDING MACHINE
[76] Inventor: Lee Hsin-Chih Chung, No.21-8, Shang
san cho woo, Wuchang-Li, Chungli
City, TaoYuan Hsien, Taiwan
[**] Term: 14 Years
[21] Appl. No.: 67,864
[22] Filed: Mar. 12, 1997
[51] LOC (6) Cl. 08-02
[52] U.S. Cl. D8/62
[58] Field of Search D8/62; 451/344,
451/356, 357, 359, 414, 456, 457, 162,
163

5,681,213 10/1997 Hashii 451/356

Primary Examiner—Antoine Duval Davis
Attorney, Agent, or Firm—Meltzer, Lippe, Goldstein et al.

[57] CLAIM

The ornamental design for a grinding machine, as shown and described.

DESCRIPTION

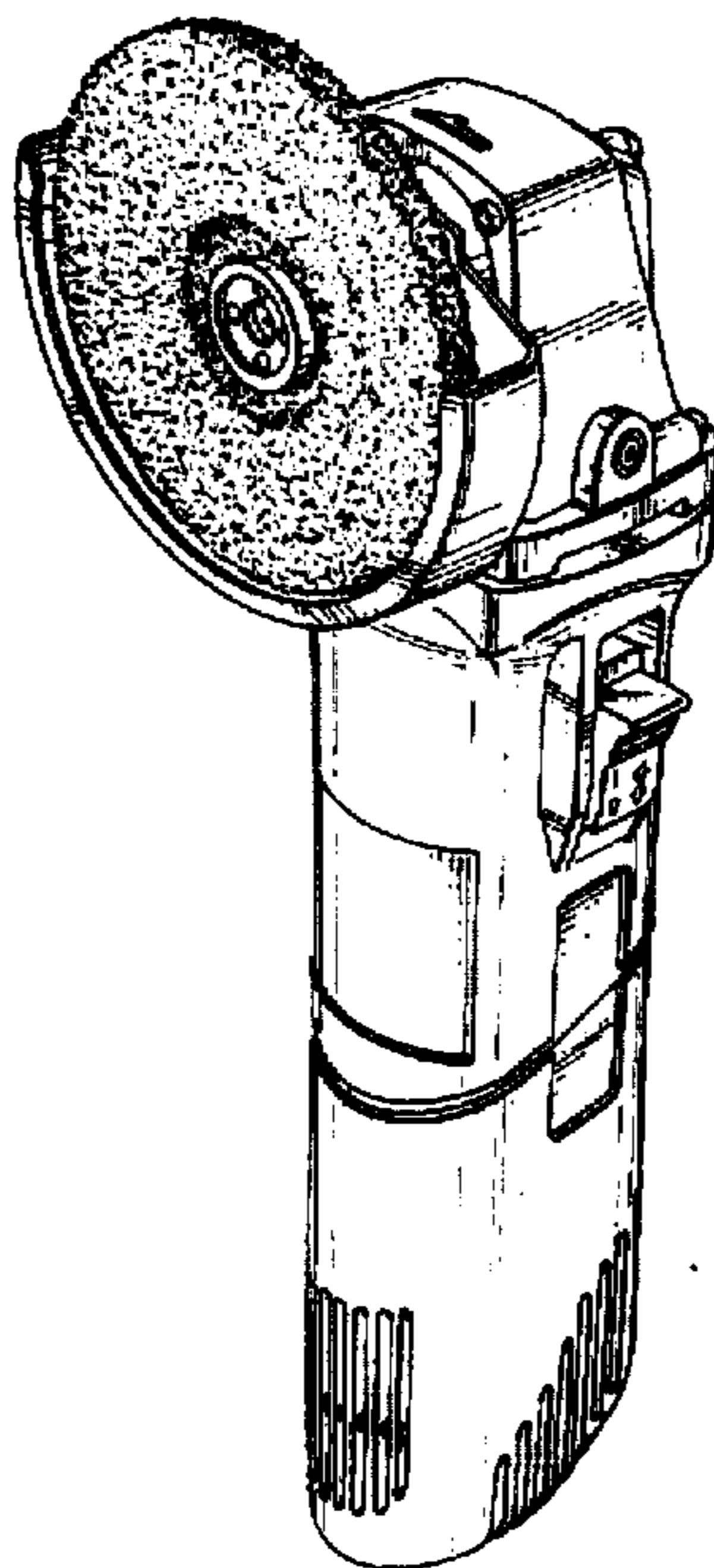
FIG. 1 is a perspective view of a grinding machine showing my new design;
FIG. 2 is a front elevational view thereof;
FIG. 3 is a rear elevational view thereof;
FIG. 4 is a left side elevational view thereof;
FIG. 5 is a right side elevational view thereof;
FIG. 6 is a top view thereof; and,
FIG. 7 is a bottom view thereof;

[56] References Cited

U.S. PATENT DOCUMENTS

D. 347,153 5/1994 Uneyama D8/62

1 Claim, 4 Drawing Sheets



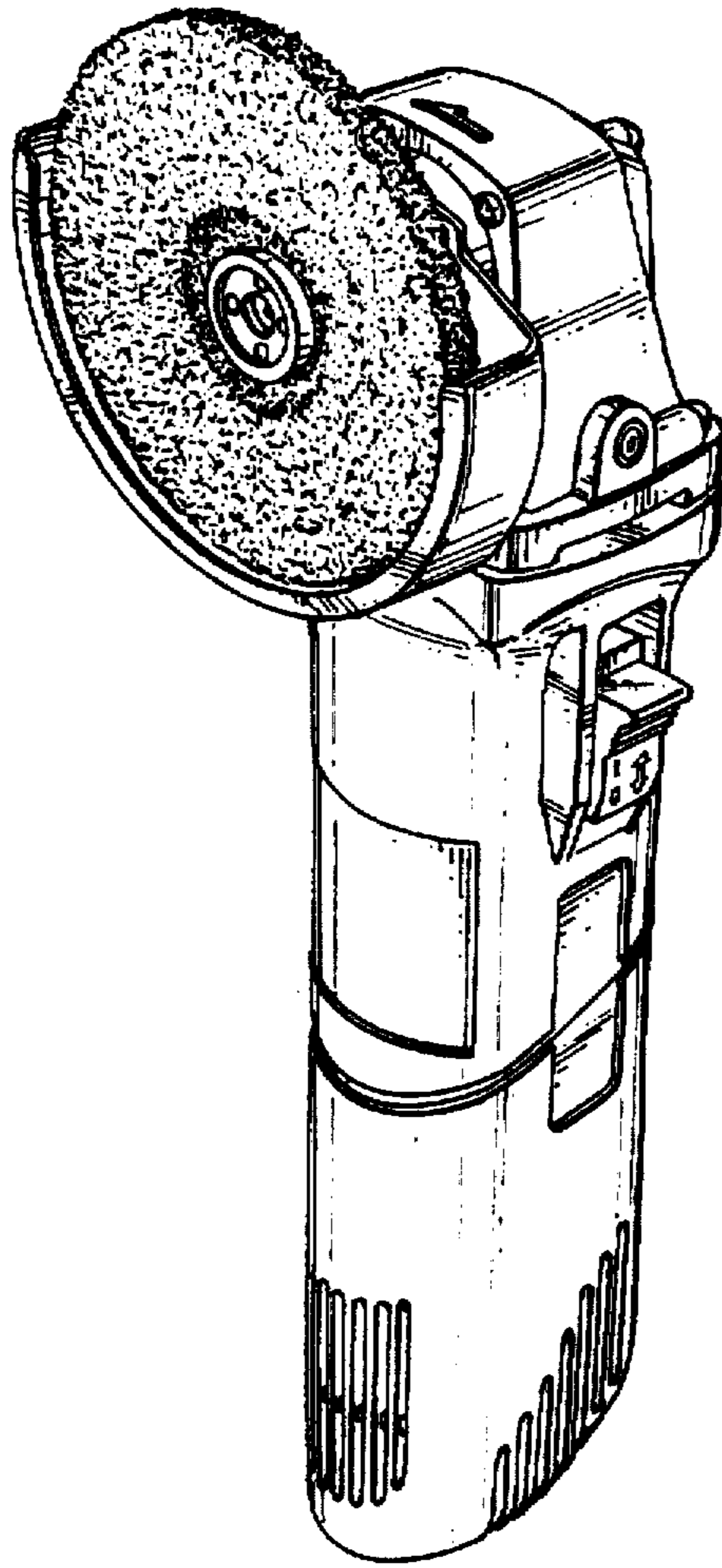


FIG.1

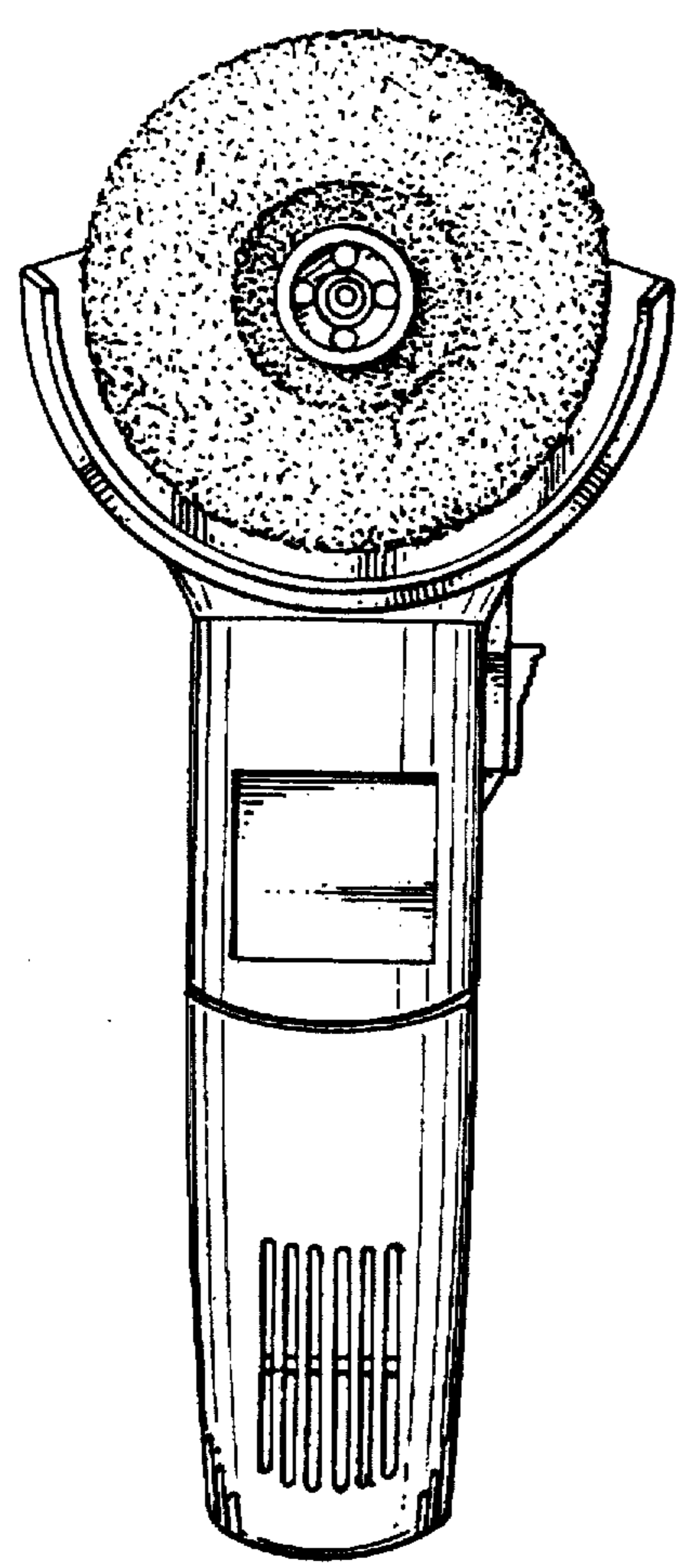


FIG. 2

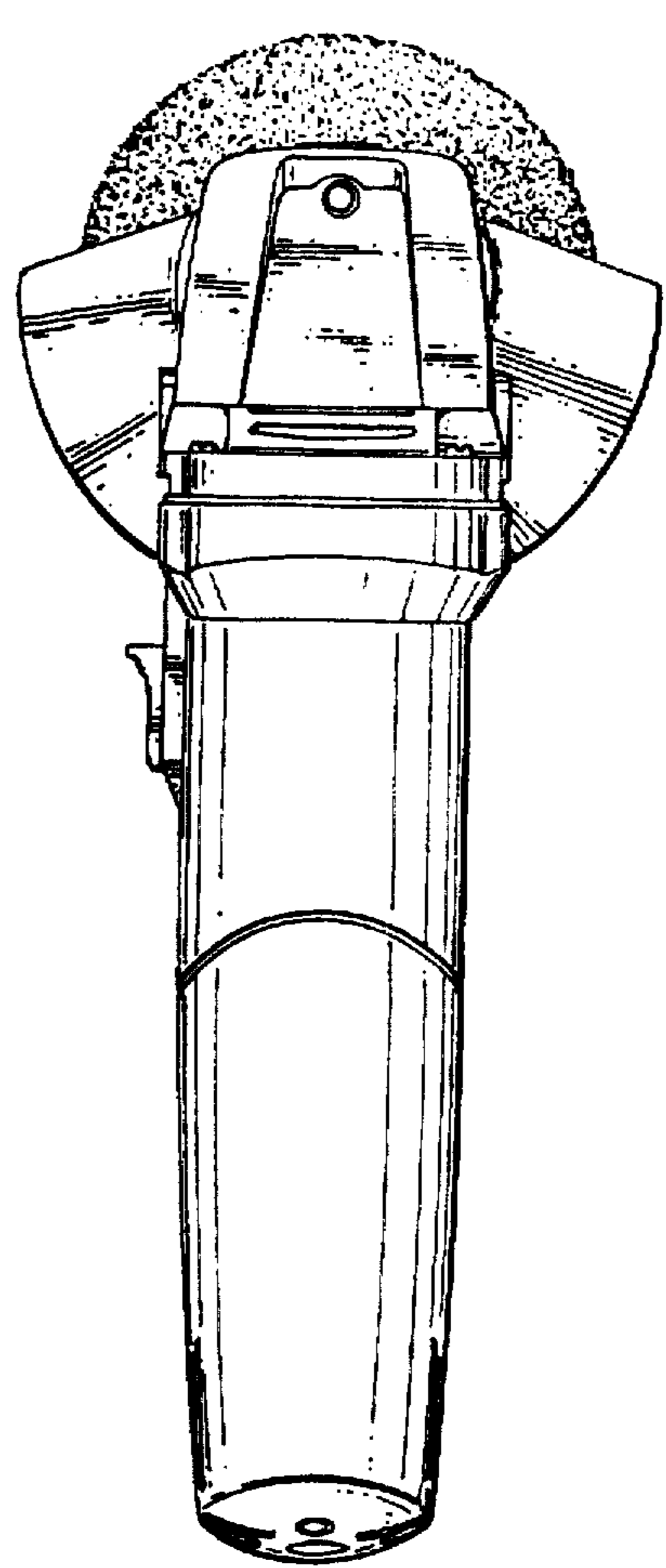


FIG. 3

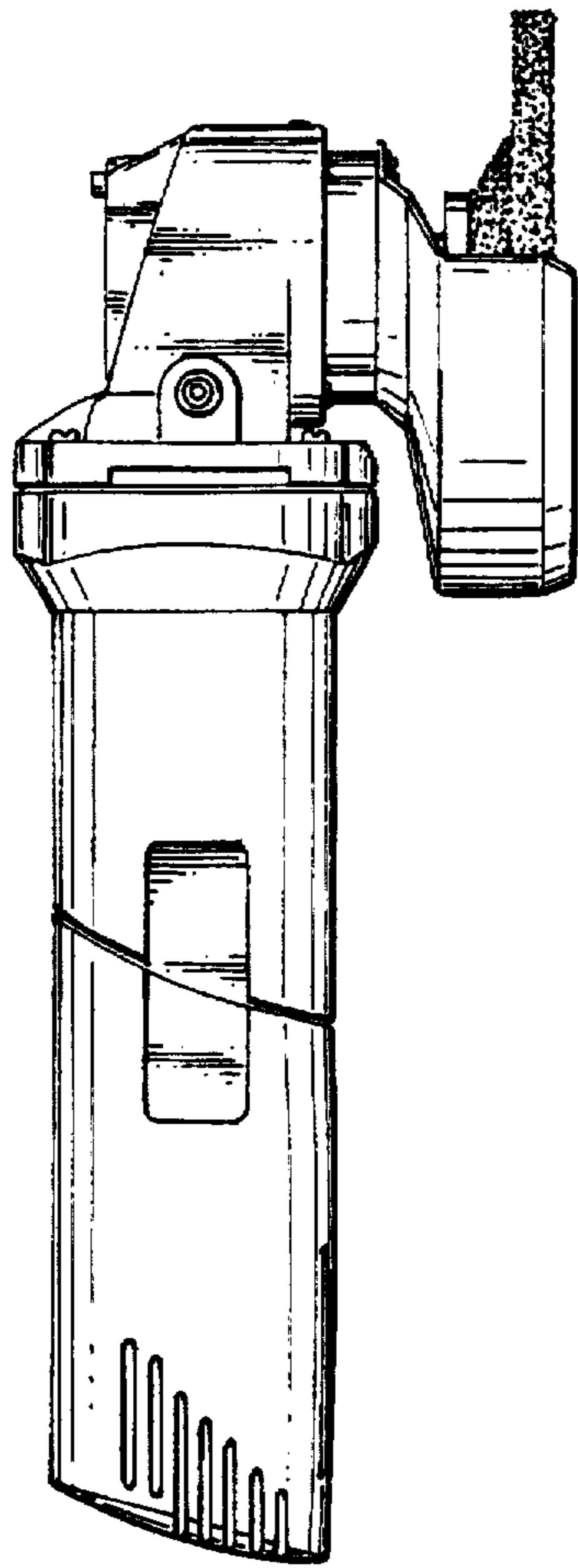


FIG. 4

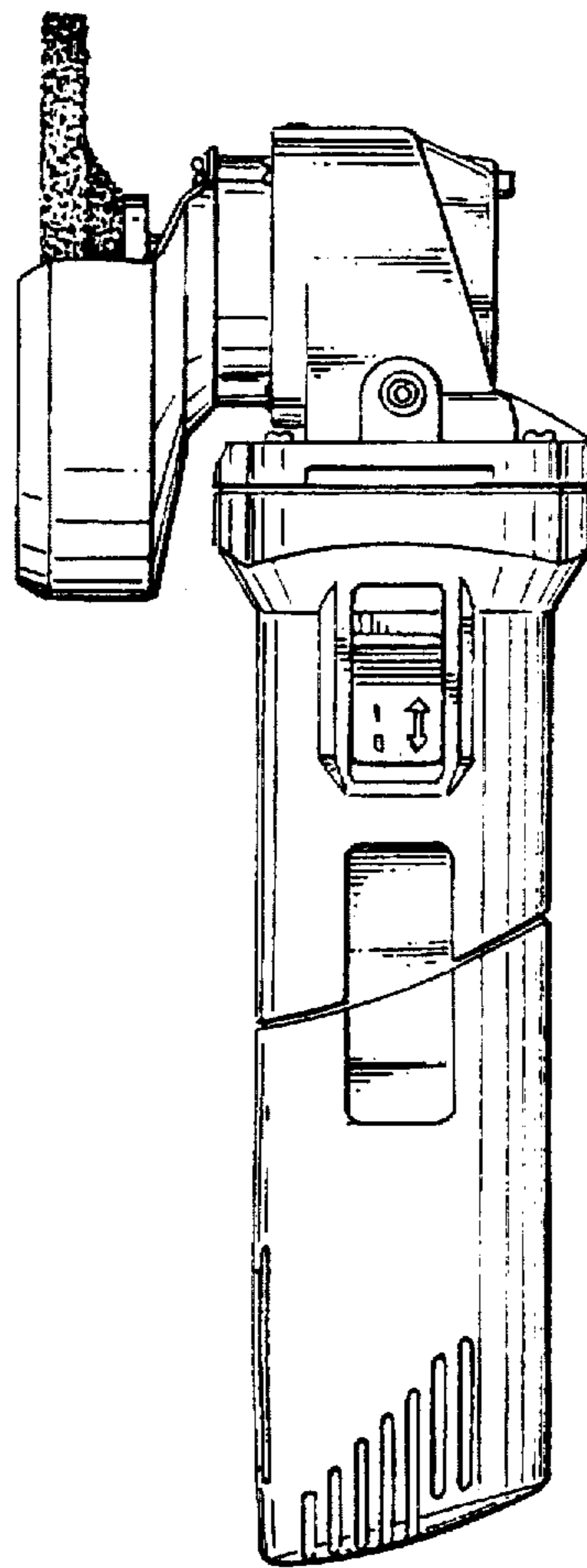


FIG. 5

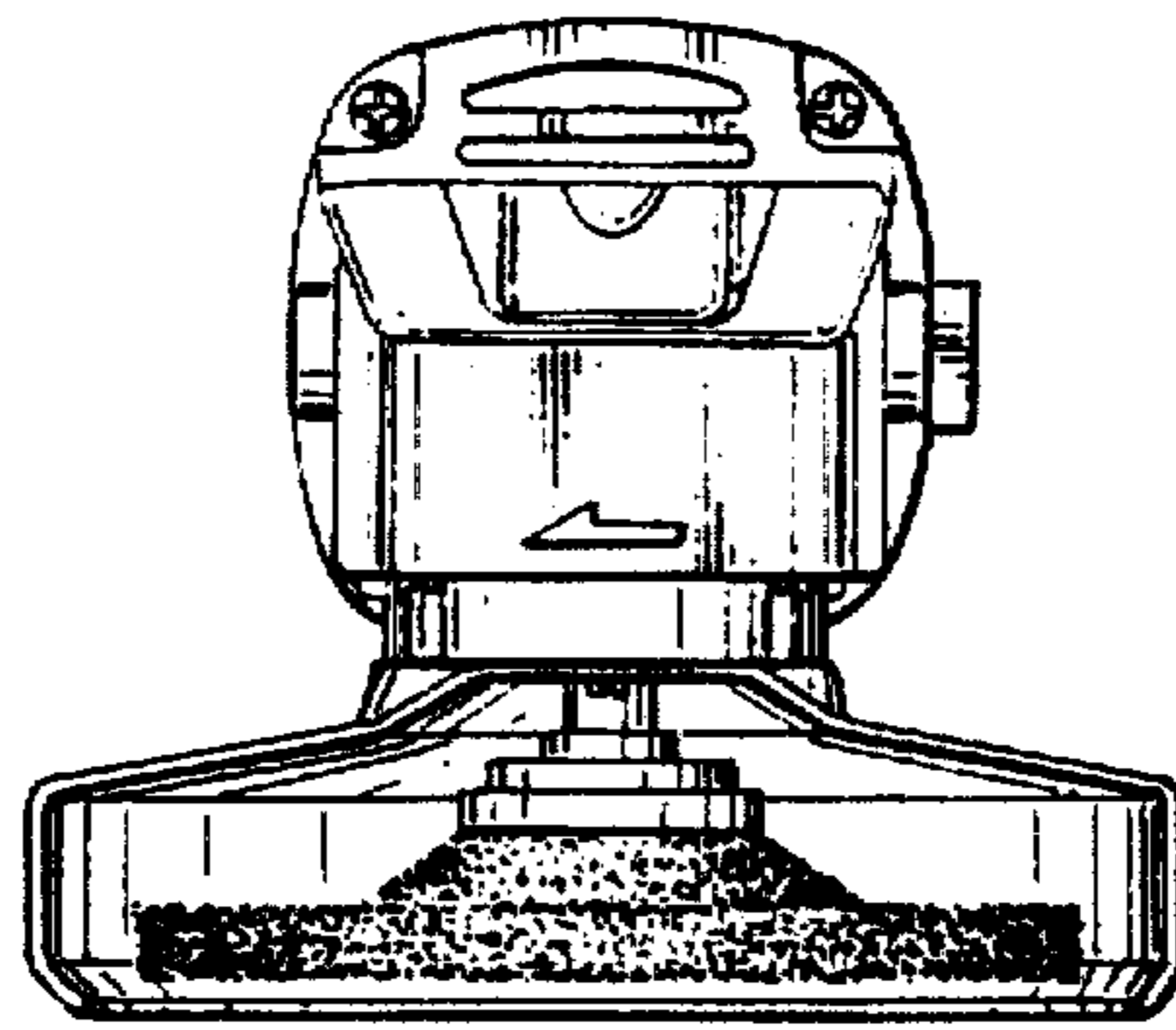


FIG. 6

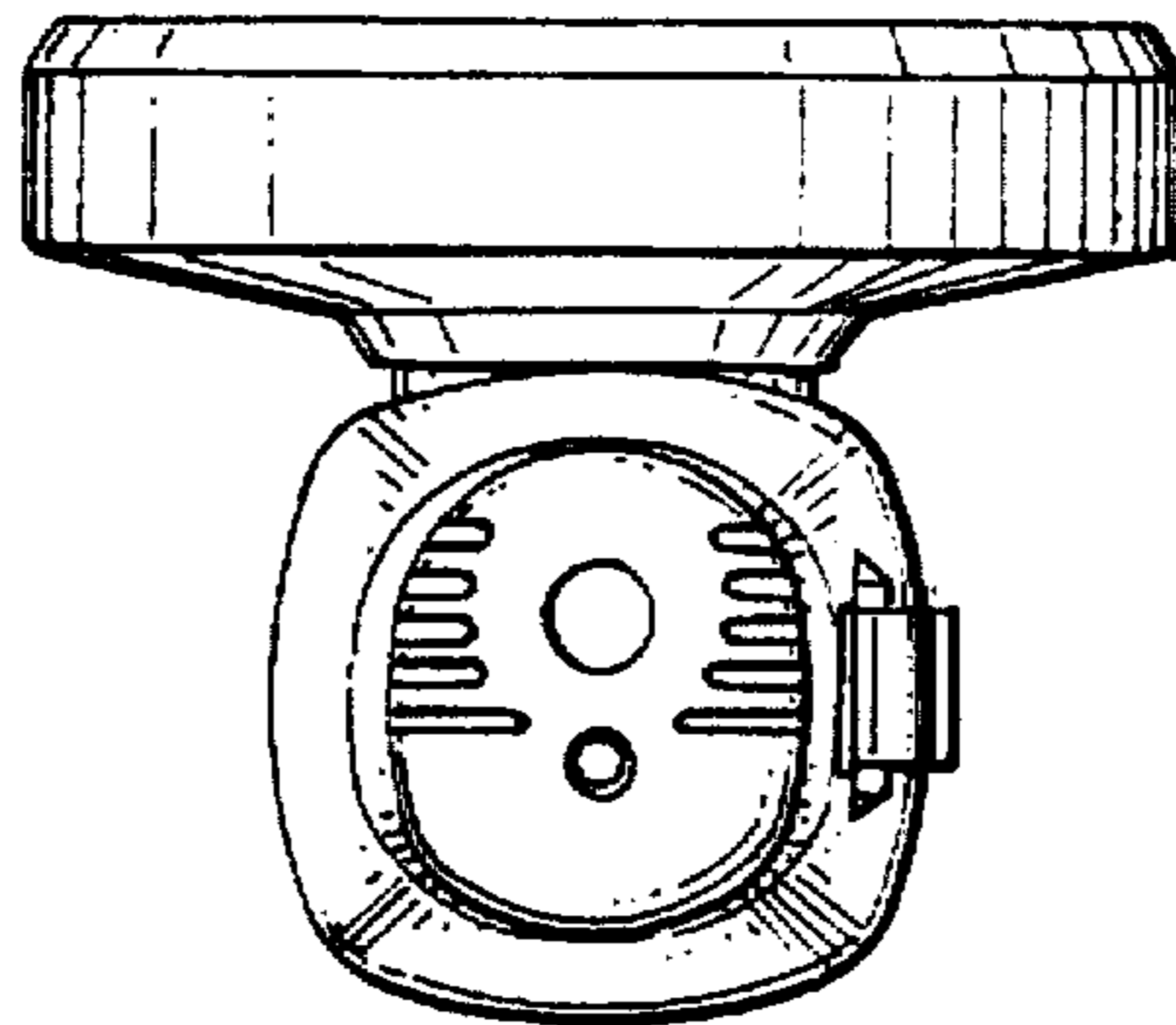


FIG. 7