



US00D394593S

United States Patent [19]
Komori

[11] **Patent Number:** **Des. 394,593**
[45] **Date of Patent:** ****May 26, 1998**

[54] **MULTI-PURPOSE KITCHEN SHEARS**

[75] **Inventor:** **Tokio Komori, Selo, Japan**

[73] **Assignee:** **Zwilling J.A. Henckels AG, Germany**

[**] **Term:** **14 Years**

[21] **Appl. No.:** **70,305**

[22] **Filed:** **May 6, 1997**

[51] **LOC (6) Cl.** **08-03**

[52] **U.S. Cl.** **D8/57**

[58] **Field of Search** **D8/57, 98, 99,**
D8/105; D19/65, 99, 100; 30/194, 195,
230-235, 238, 255, 244, 120, 145, 146,
254, 260, 266-268; 7/131, 134, 135

[56] **References Cited**

U.S. PATENT DOCUMENTS

D. 161,004	11/1950	Cook	D8/57
D. 256,215	8/1980	Chen	D8/57
D. 276,975	1/1985	Wordtmann	D8/57
D. 305,294	1/1990	Cohen et al.	D8/57
D. 337,248	7/1993	Tanfoglio	D8/57
5,459,929	10/1995	Linden et al.	30/234

OTHER PUBLICATIONS

Hong Kong Enterprise, p. 279. See item HO-1474, top left center, Nov. 1988.

Primary Examiner—Martie Thompson

Attorney, Agent, or Firm—Hill, Steadman & Simpson

[57] **CLAIM**

The ornamental design for multi-purpose kitchen shears, as shown and described.

DESCRIPTION

FIG. 1 is a perspective view of multi-purpose kitchen shears in accordance with the present invention;

FIG. 2 is an end view taken from the blade end of the multi-purpose kitchen shears of FIG. 1;

FIG. 3 is a bottom plan view of the multi-purpose kitchen shears of FIG. 1;

FIG. 4 is a side view of the right side of the multi-purpose kitchen shears of FIG. 3;

FIG. 5 is a top plan of the multi-purpose kitchen shears of FIG. 1;

FIG. 6 is an end view of the handle end of the multi-purpose kitchen shears of FIG. 1; and,

FIG. 7 is a side view of the right side of the multi-purpose kitchen shears of FIG. 5.

1 Claim, 3 Drawing Sheets

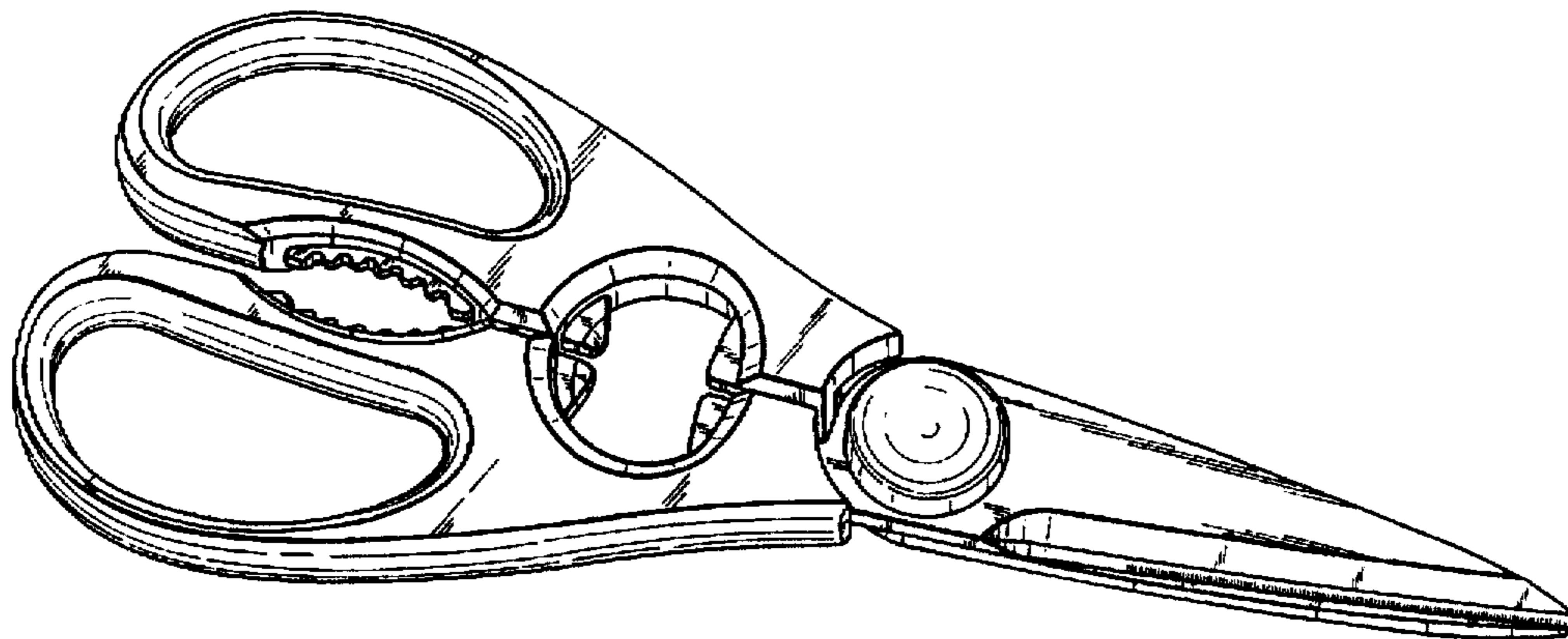
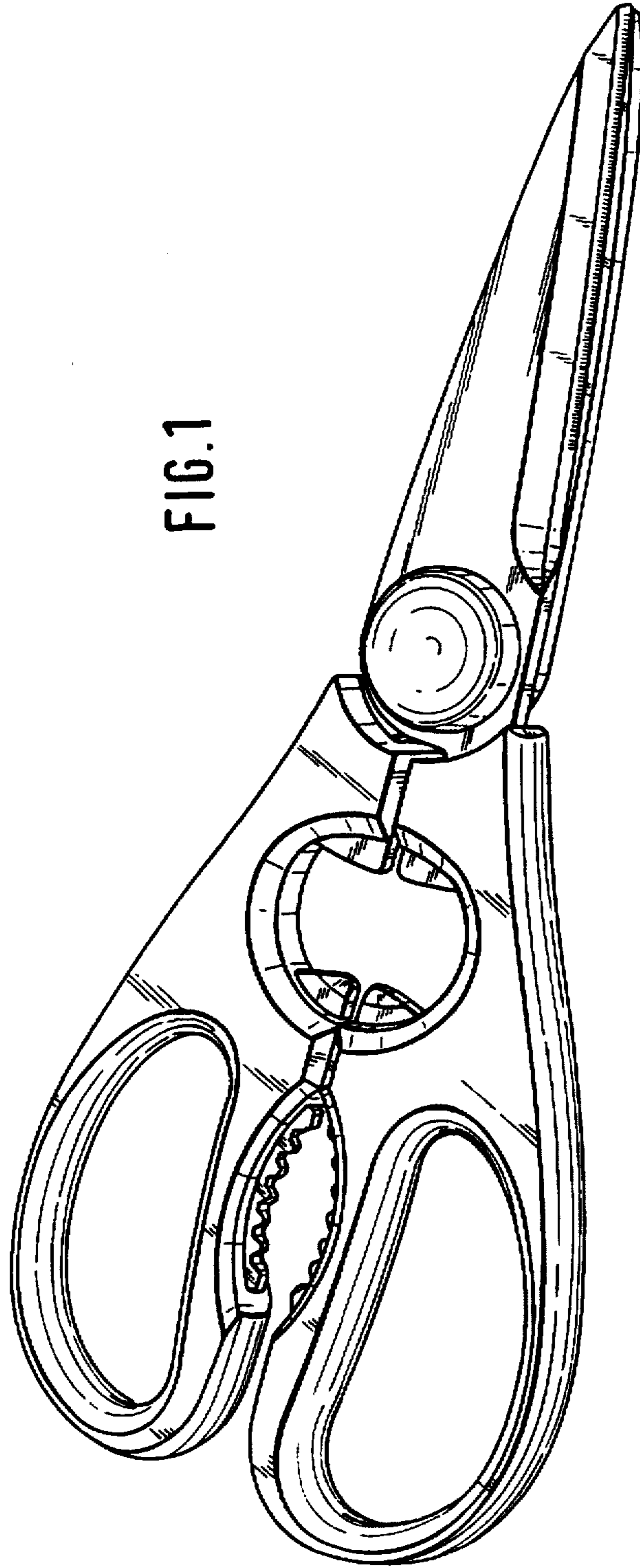


FIG. 1



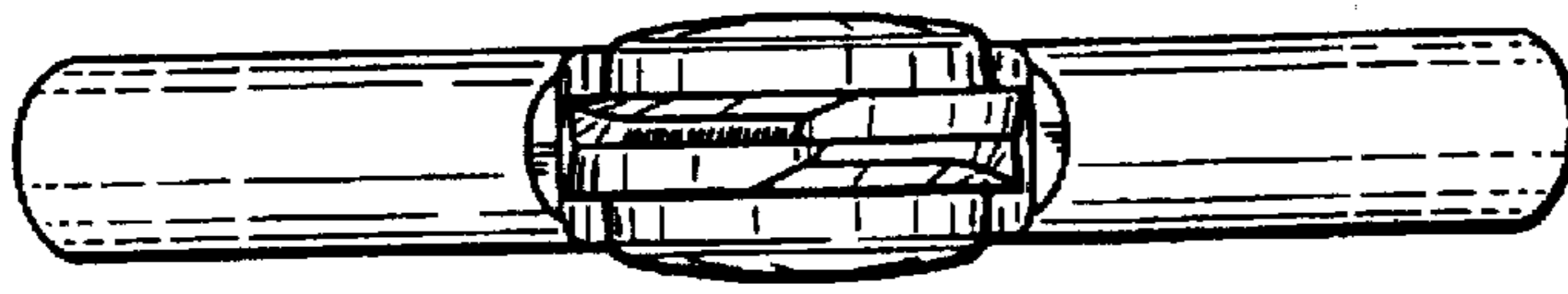


FIG. 2

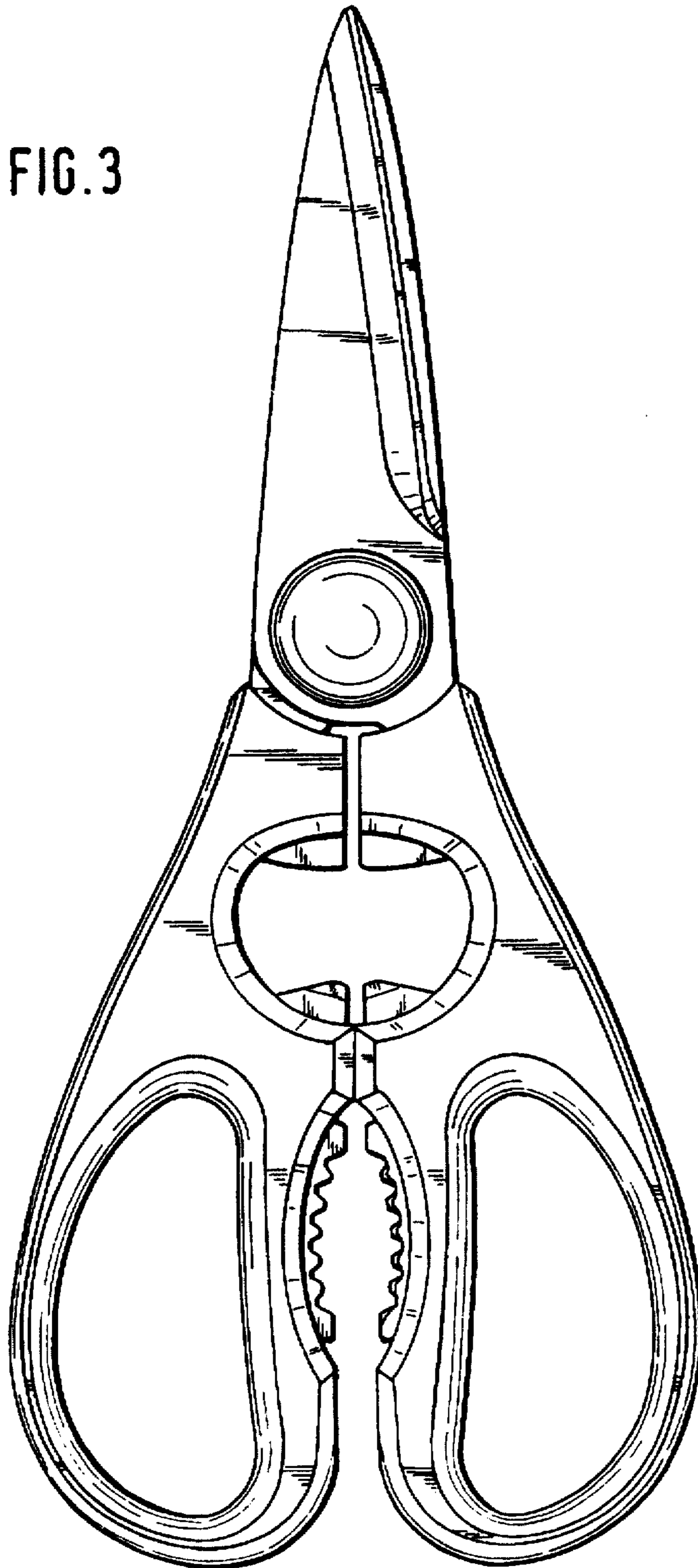


FIG. 3

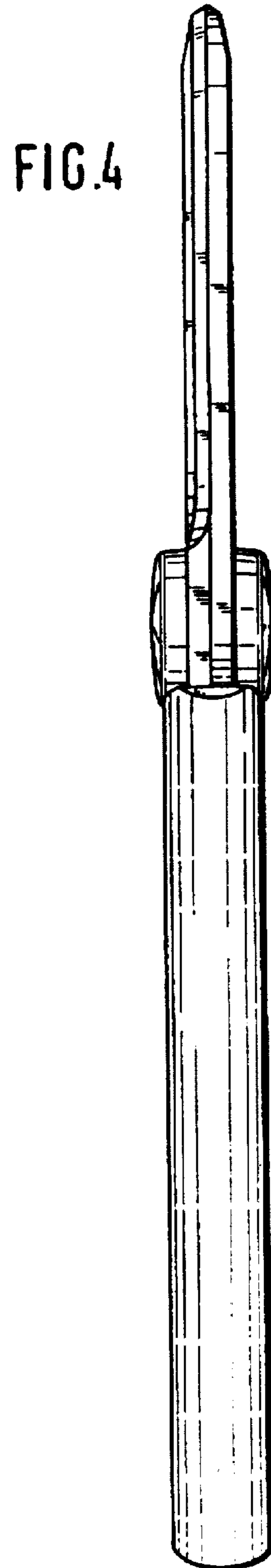


FIG. 4

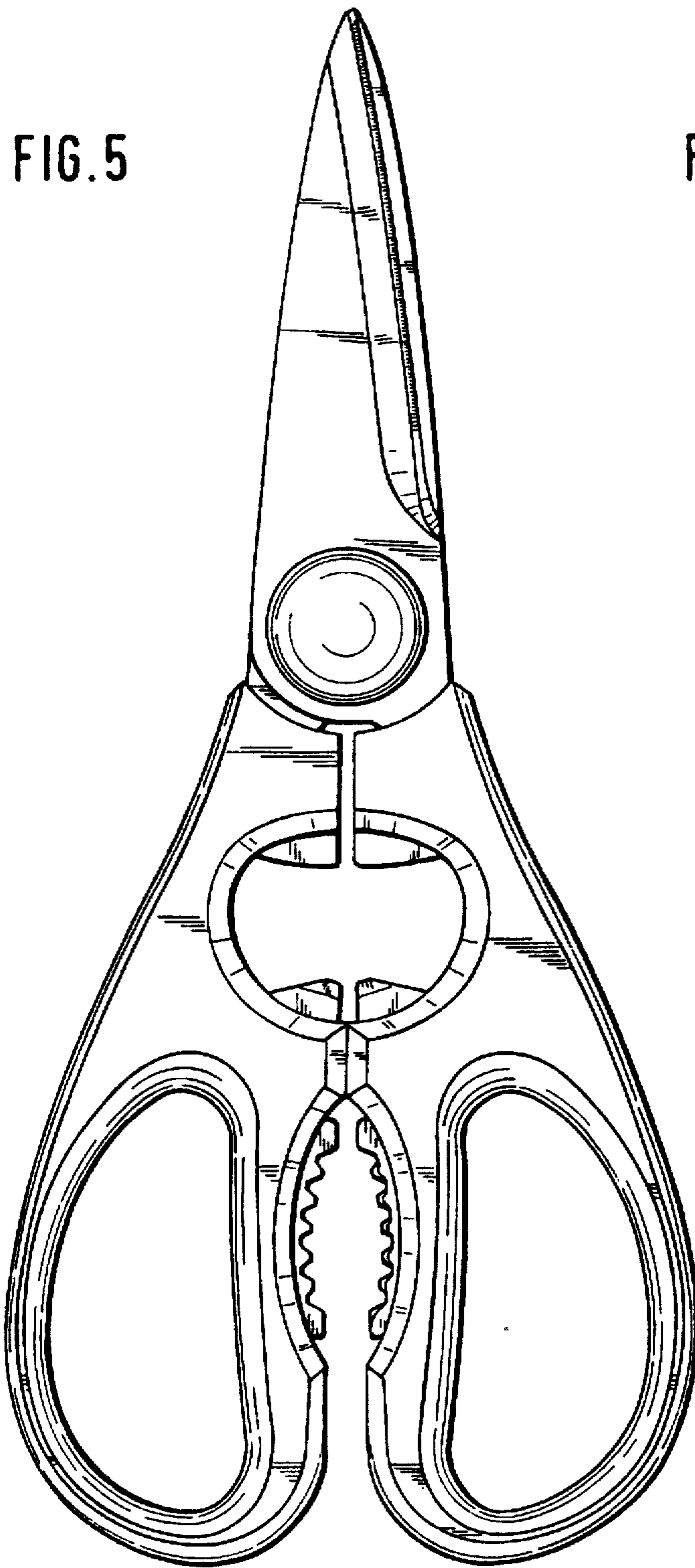


FIG. 5

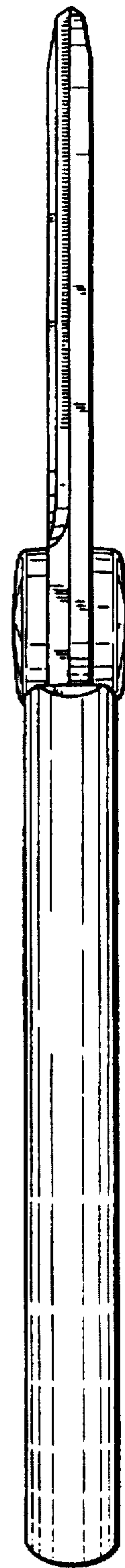


FIG. 7



FIG. 6