

US00D394592S

# United States Patent [19]

Brunsdon et al.

[11] Patent Number: **Des. 394,592**

[45] Date of Patent: **\*\*May 26, 1998**

[54] UPRIGHT STAPLER

[75] Inventors: **Robert T. Brunsdon, Millis; George F. W. Boesel, Brookline, both of Mass.**

[73] Assignee: **Hunt Holdings, Inc., Wilmington, Del.**

[\*\*] Term: **14 Years**

[21] Appl. No.: **69,992**

[22] Filed: **Apr. 25, 1997**

### Related U.S. Application Data

[62] Division of Ser. No. 53,021, Mar. 29, 1996.

[51] LOC (6) Cl. .... **19-02**

[52] U.S. Cl. .... **D8/50; D19/65; D8/107**

[58] Field of Search ..... **D21/198; D8/49, D8/50, 51, 98, 105, 107; 227/107, 110, 120, 124, 126, 127, 128, 132, 134, 155; D19/65, 72, 95, 99, 100; 482/49, 126, 127**

### [56] References Cited

#### U.S. PATENT DOCUMENTS

- D. 170,878 11/1953 Marano ..... D8/50
- D. 191,290 9/1961 Belbow ..... D8/50
- D. 352,435 11/1994 Chi ..... D8/50

- 1,830,650 11/1931 Falk ..... 227/134 X
- 2,286,155 6/1942 Pankonin ..... 227/124 X
- 3,103,012 9/1963 Kohen et al. .... 227/124 X
- 3,987,951 10/1976 Thornhill ..... 227/120
- 4,623,141 11/1986 Salvino ..... 482/127 X
- 4,943,047 7/1990 Noble ..... 482/49

*Primary Examiner*—Martie Thompson  
*Attorney, Agent, or Firm*—Synnestvedt & Lechner

### [57] CLAIM

The ornamental design for an upright stapler, as shown and described.

### DESCRIPTION

FIG. 1 is a perspective view of an upright stapler showing our new design;

FIG. 2 is a right elevational view of the upright stapler shown in FIG. 1, the left view being a mirror image thereof;

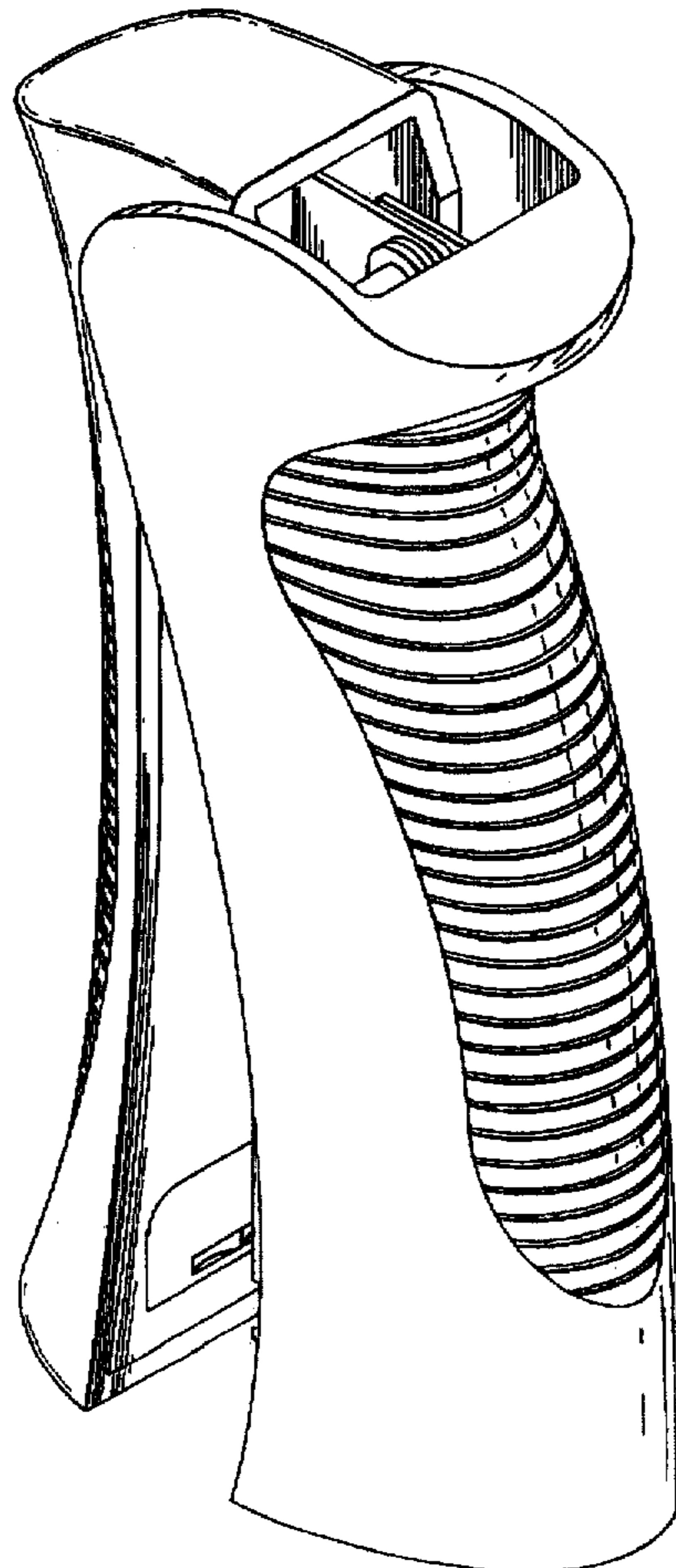
FIG. 3 is a front elevational view of the upright stapler shown in FIG. 1;

FIG. 4 is a rear elevational view of the upright stapler shown in FIG. 1;

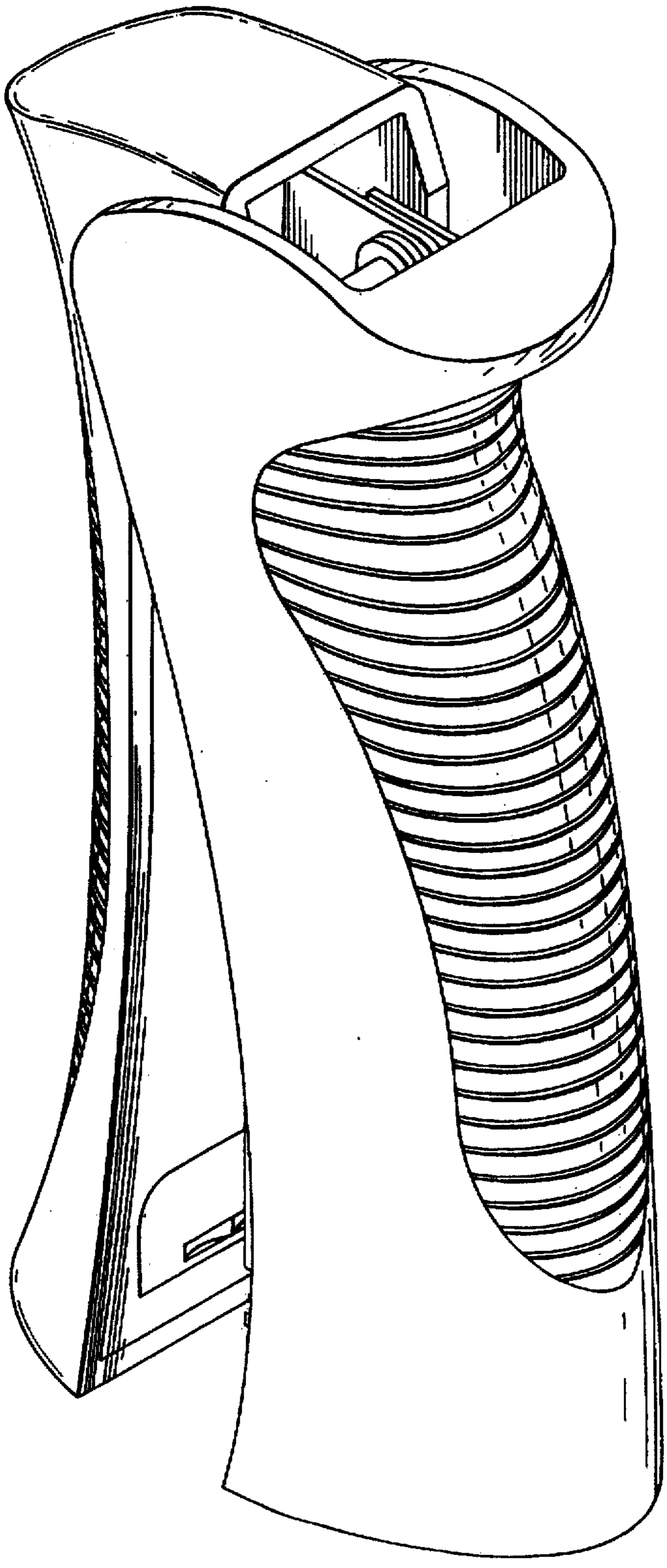
FIG. 5 is a top plan view of the upright stapler shown in FIG. 1; and

FIG. 6 is a bottom plan view of the upright stapler shown in FIG. 1.

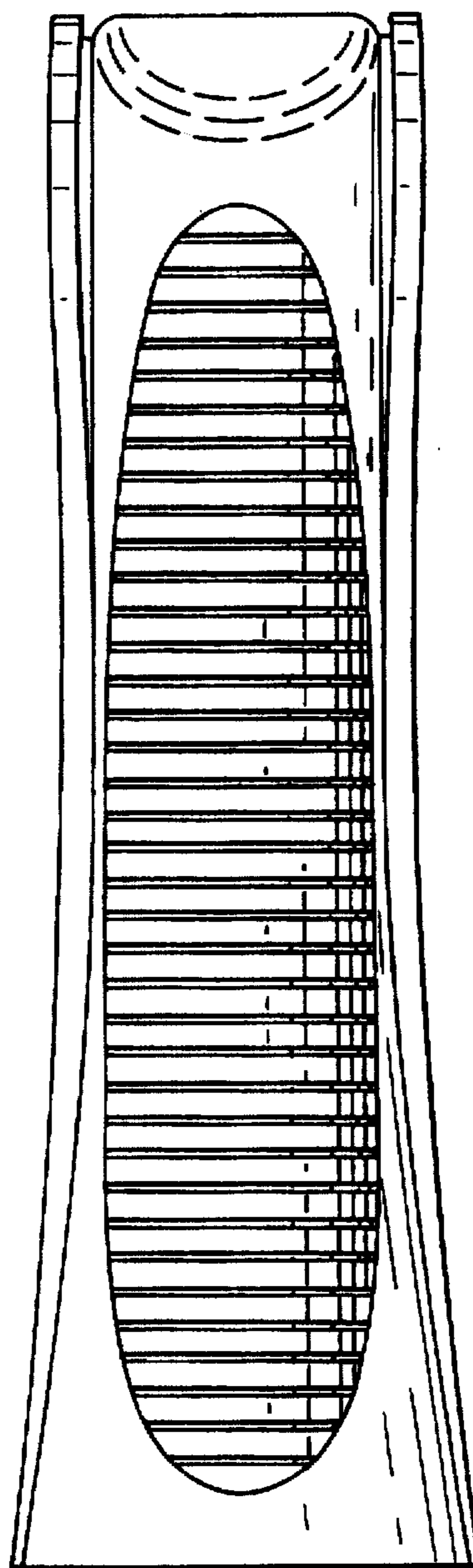
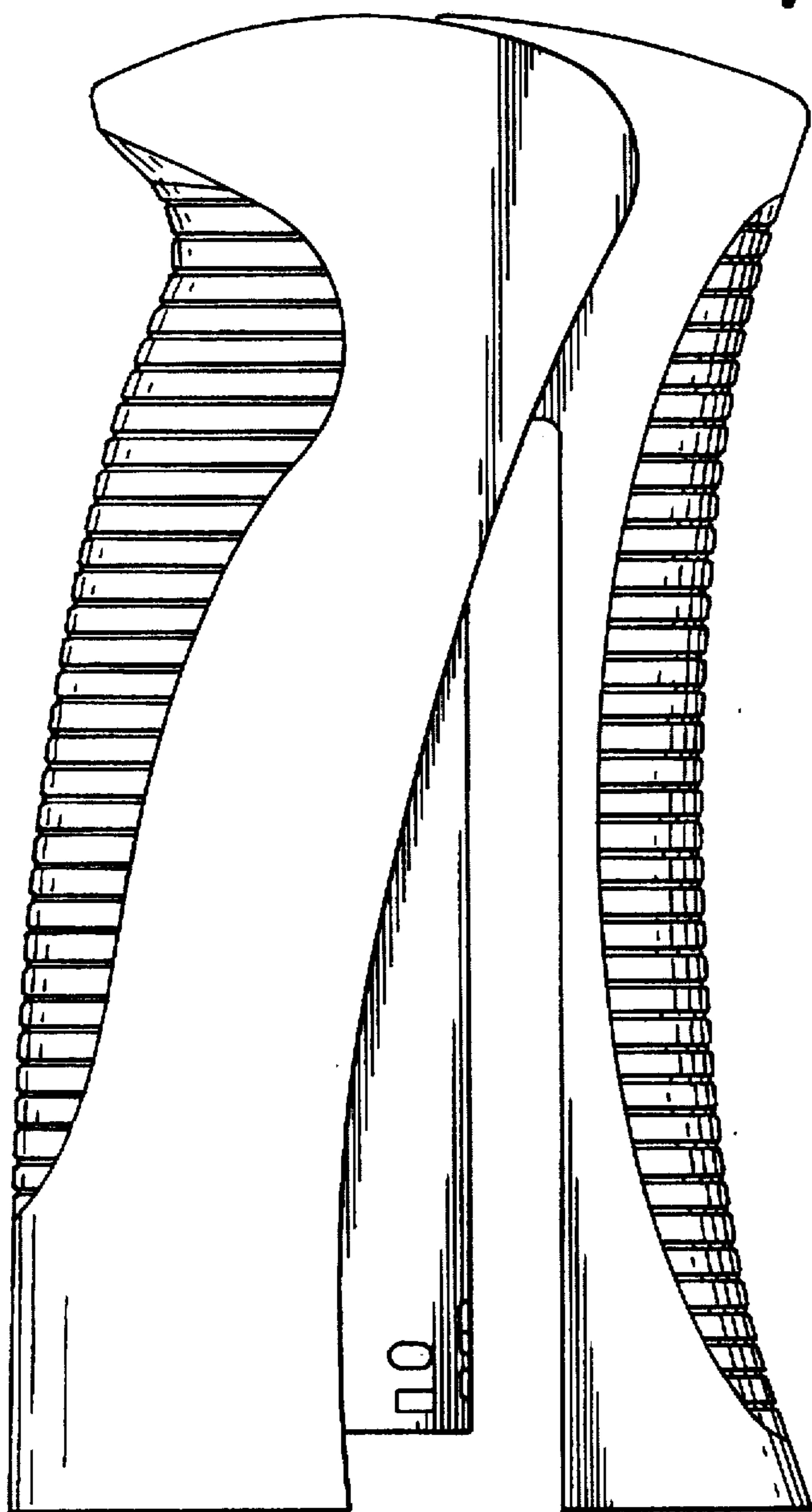
**1 Claim, 3 Drawing Sheets**



*FIG. 1*

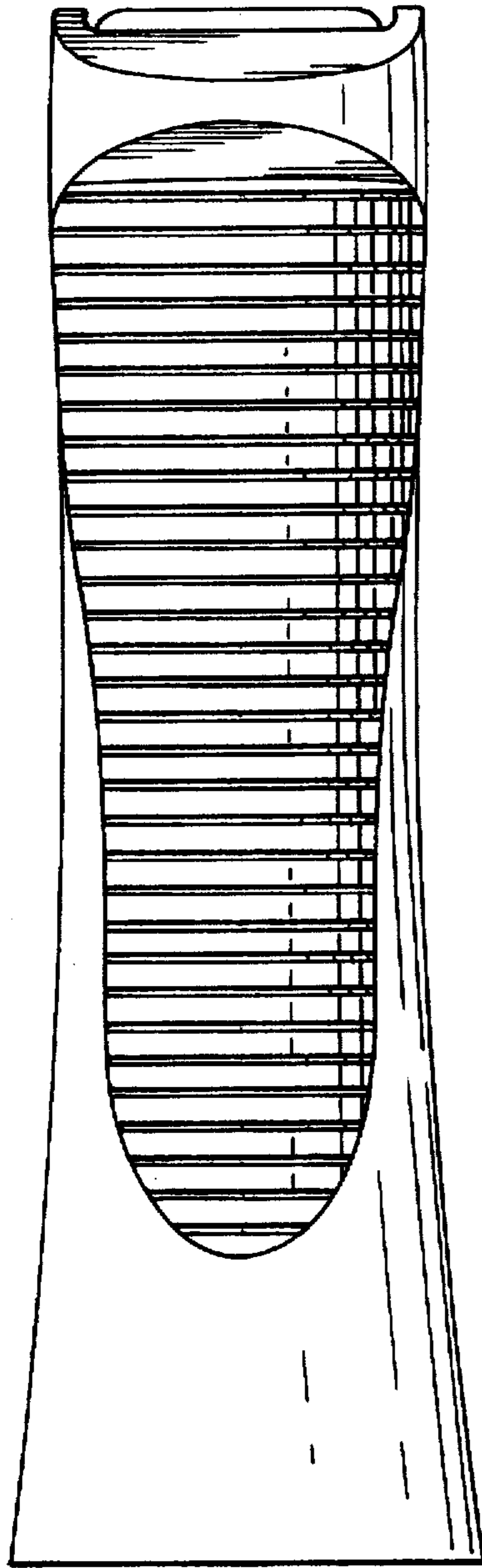


**FIG. 2**

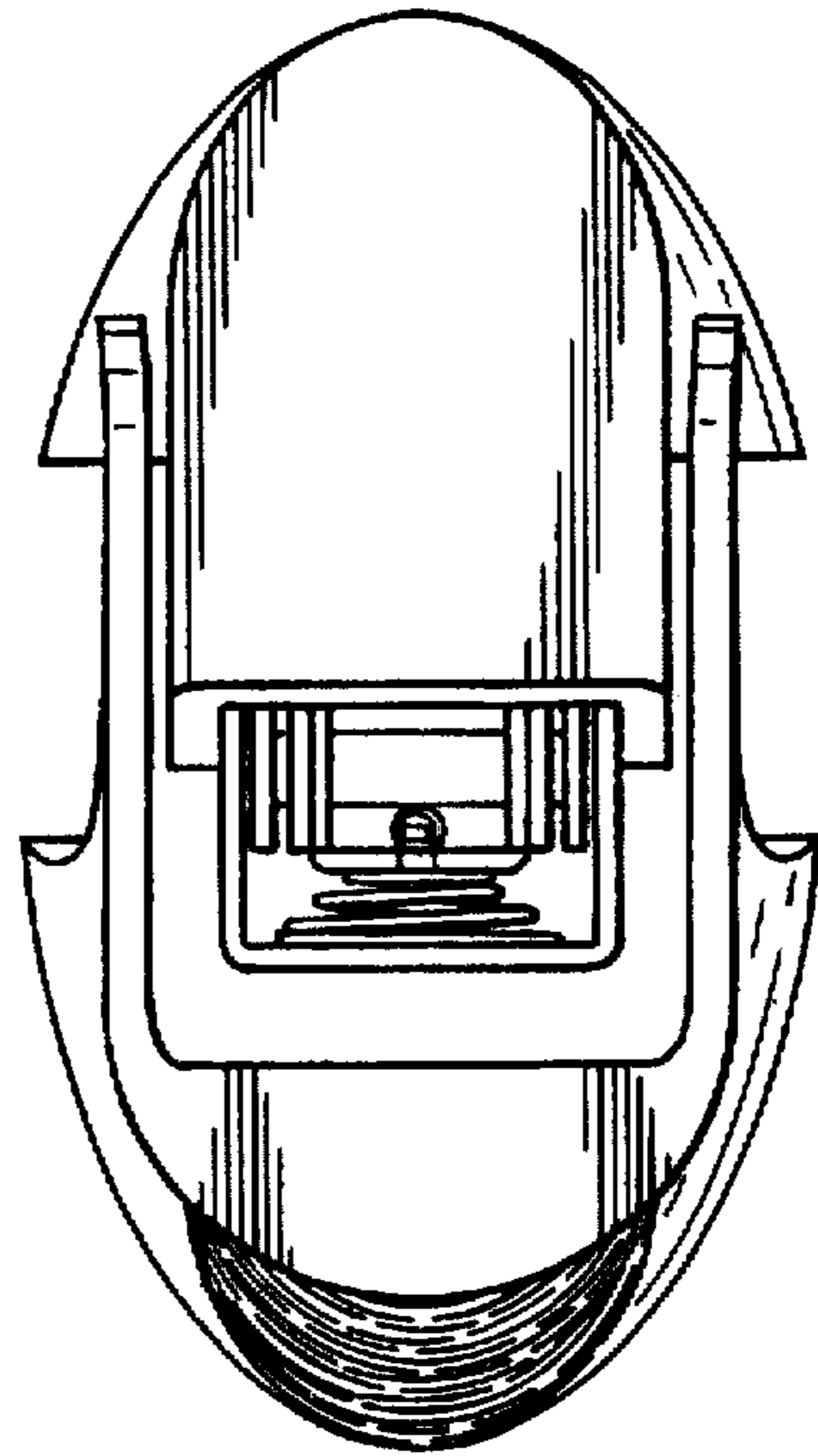


**FIG. 3**

**FIG. 4**



**FIG. 5**



**FIG. 6**

