



US00D394590S

United States Patent [19] McCormick

[11] Patent Number: **Des. 394,590**
[45] Date of Patent: ****May 26, 1998**

[54] CAN OPENER

[75] Inventor: **David McCormick, Prairie Village, Kans.**

[73] Assignee: **The Rival Company, Kansas City, Mo.**

[**] Term: **14 Years**

[21] Appl. No.: **45,882**

[22] Filed: **Nov. 1, 1995**

[51] LOC (6) Cl. **07-99**

[52] U.S. Cl. **D8/36**

[58] Field of Search **D8/18, 33, 34-36, D8/37-38; 30/400, 401, 416, 417, 419, 423, 424, 426**

[56] **References Cited**

U.S. PATENT DOCUMENTS

D. 187,426	3/1960	Anderson	D8/36
D. 200,235	2/1965	Madl	D8/36
D. 202,268	9/1965	Reed	.	
D. 219,200	11/1970	McCue	.	
D. 229,603	12/1973	Eckel	.	
D. 230,005	1/1974	Weiss	D8/35
D. 240,700	7/1976	Scott	D8/35
D. 240,702	7/1976	Scott	D8/36
D. 276,406	11/1984	Johnson et al.	D8/41
D. 291,173	8/1987	Stowell et al.	D8/36
D. 302,929	8/1989	Thomas	D8/36
D. 306,548	3/1990	Mezey	D8/36
D. 348,813	7/1994	Klein	D8/36
D. 366,404	1/1996	Indindoli	D8/36
2,204,368	6/1940	Kublin	.	
2,579,189	12/1951	Jenson	.	
2,679,098	5/1954	Deicken	.	
2,896,319	7/1959	Pinette	.	
2,979,815	4/1961	Rhode et al.	.	
2,997,785	8/1961	Pinette	.	
3,079,683	3/1963	Carew et al.	.	
3,105,297	10/1963	Clowers	.	

3,156,044	11/1964	Congdon et al.	.
3,176,063	3/1965	Jepson et al.	.
3,216,108	11/1965	Jepson et al.	.
3,254,406	6/1966	Hubrich	.
3,307,255	3/1967	Hubrich	.
3,313,023	4/1967	Jepson et al.	.
3,348,305	10/1967	Bielak	.

(List continued on next page.)

FOREIGN PATENT DOCUMENTS

1396874	3/1965	France	.
154429	12/1920	United Kingdom	.
3048063	7/1982	United Kingdom	.

OTHER PUBLICATIONS

The Washington Post, Mar. 3, 1966 p. A-5.
Home Furnishing Daily, Apr. 8, 1974 p. 40.
Home Furnishings Daily, Jun. 21, 1973, p. 13.
Home Furnishings Daily, Jan. 8, 1974, p. 19.
Hong Kong Enterprise, Dec. 1980, "Tall E-328", p. 35.
Hong Kong Enterprise, Nov. 1988, p. 230.

Primary Examiner—Raphael Barkai
Assistant Examiner—Adir Aronovich
Attorney, Agent, or Firm—Brinks Hofer Gilson & Lione

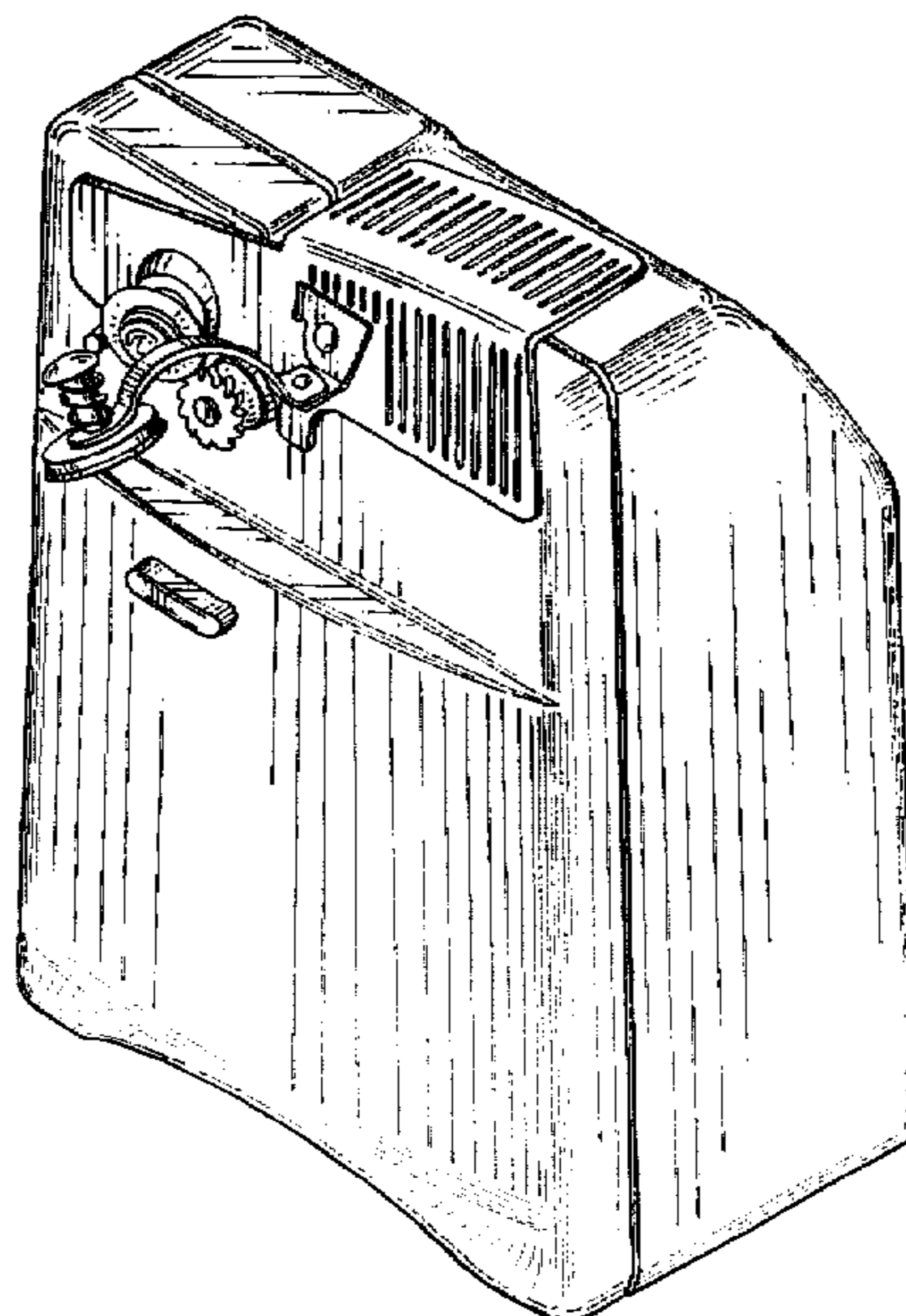
[57] **CLAIM**

The ornamental design for a can opener, as shown and described.

DESCRIPTION

FIG. 1 is a front perspective view of a can opener showing my new design;
FIG. 2 is a front elevational view thereof;
FIG. 3 is a left side elevational view thereof;
FIG. 4 is a rear elevational view thereof;
FIG. 5 is a top plan view thereof;
FIG. 6 is a bottom plan view thereof; and,
FIG. 7 is a right side elevational view thereof.

1 Claim, 5 Drawing Sheets



U.S. PATENT DOCUMENTS

3,360,853	1/1968	Chambers et al. .	3,942,247	3/1976	Ponczek et al. .
3,376,671	4/1968	Wolter .	3,949,468	4/1976	McLean et al. .
3,477,263	11/1969	Jepson et al. .	3,955,276	5/1976	Pauty .
3,520,056	7/1970	Scott .	3,982,455	9/1976	Bowman .
3,585,717	6/1971	Bielak et al. .	4,028,805	6/1977	Figlia .
3,673,682	7/1972	Yamamoto .	4,053,981	10/1977	Aberer .
3,675,321	7/1972	Arel et al. .	4,086,835	5/1978	Frederick .
3,689,997	9/1972	McLean .	4,207,676	6/1980	Okumura .
3,706,135	12/1972	Fukunaga et al. .	4,389,780	6/1983	Ostroski et al. .
3,763,748	10/1973	Gallagher, Jr. .	4,534,108	8/1985	Yamamoto et al. .
3,765,085	10/1973	Ponczek et al. .	4,561,182	12/1985	Yamamoto et al. .
3,805,380	4/1974	Yamamoto .	4,733,472	3/1988	Belcourt .
3,818,589	6/1974	Oberto 30/419	4,831,735	5/1989	Bast et al. .
3,858,313	1/1975	Yamaguchi .	4,922,617	5/1990	Kurz .
3,881,247	5/1975	Niwa .	4,995,164	2/1991	Borger et al. .
3,911,571	10/1975	Ponczek et al. .	5,313,708	5/1994	Edwards et al. .

Fig. 1

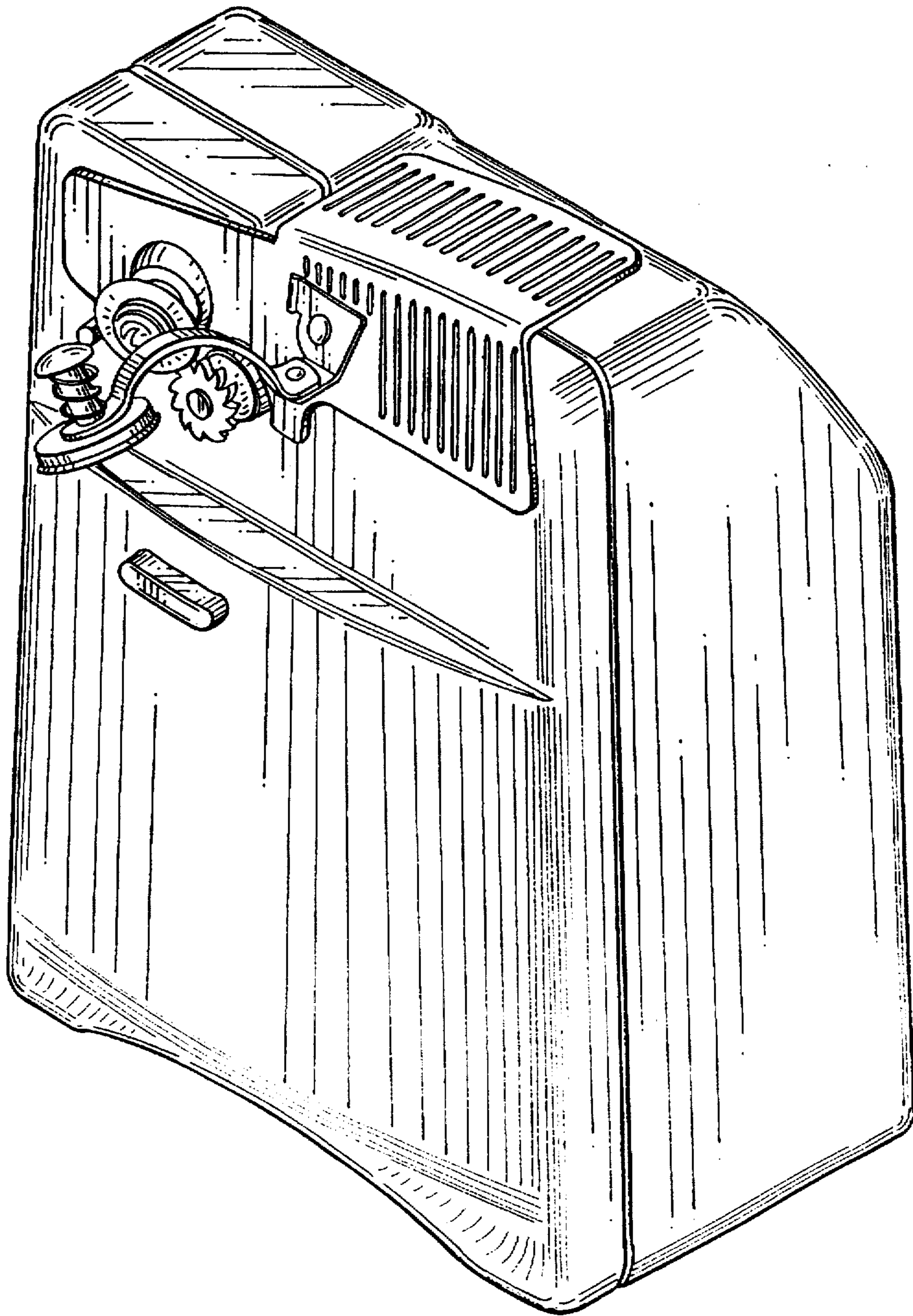
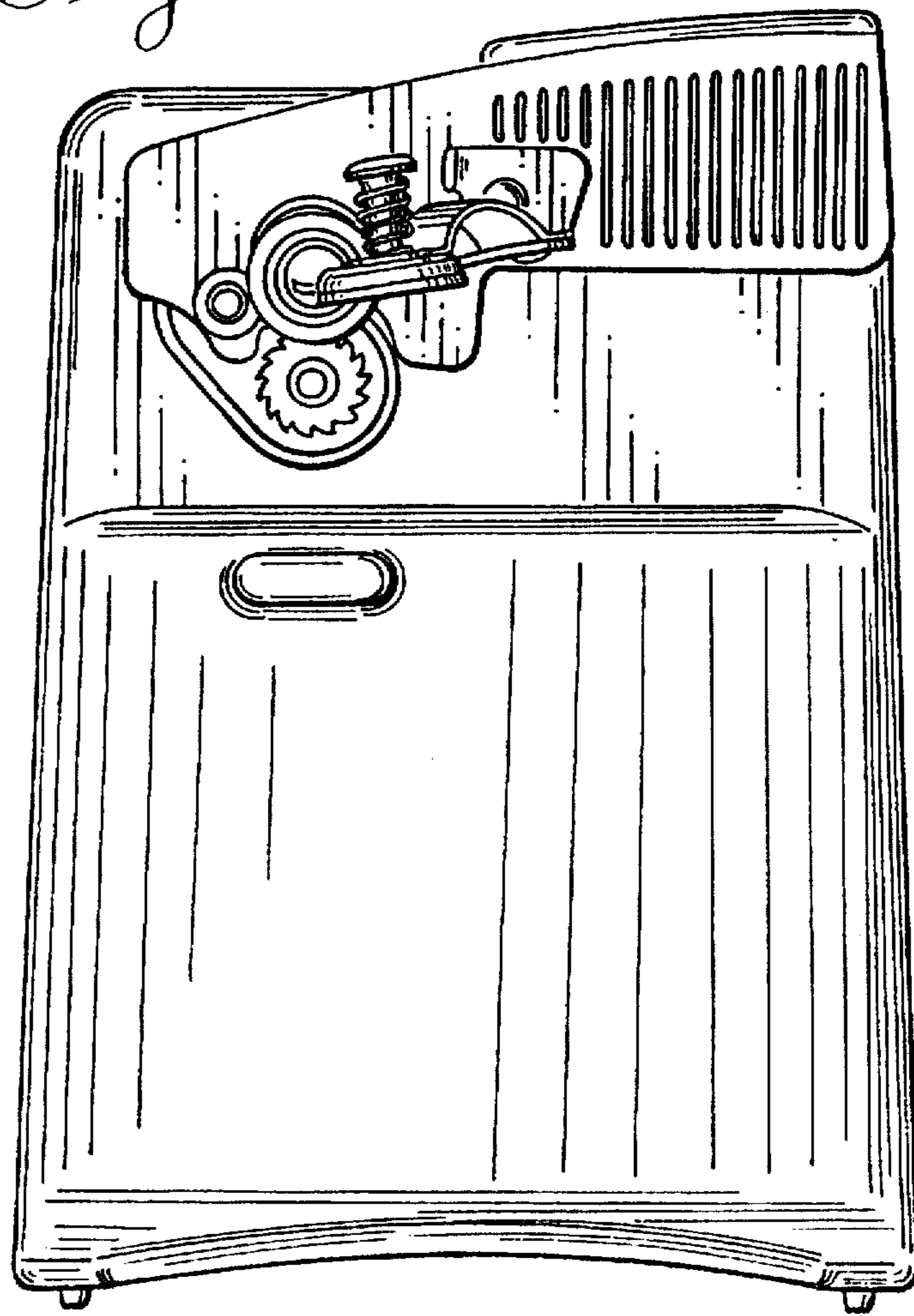
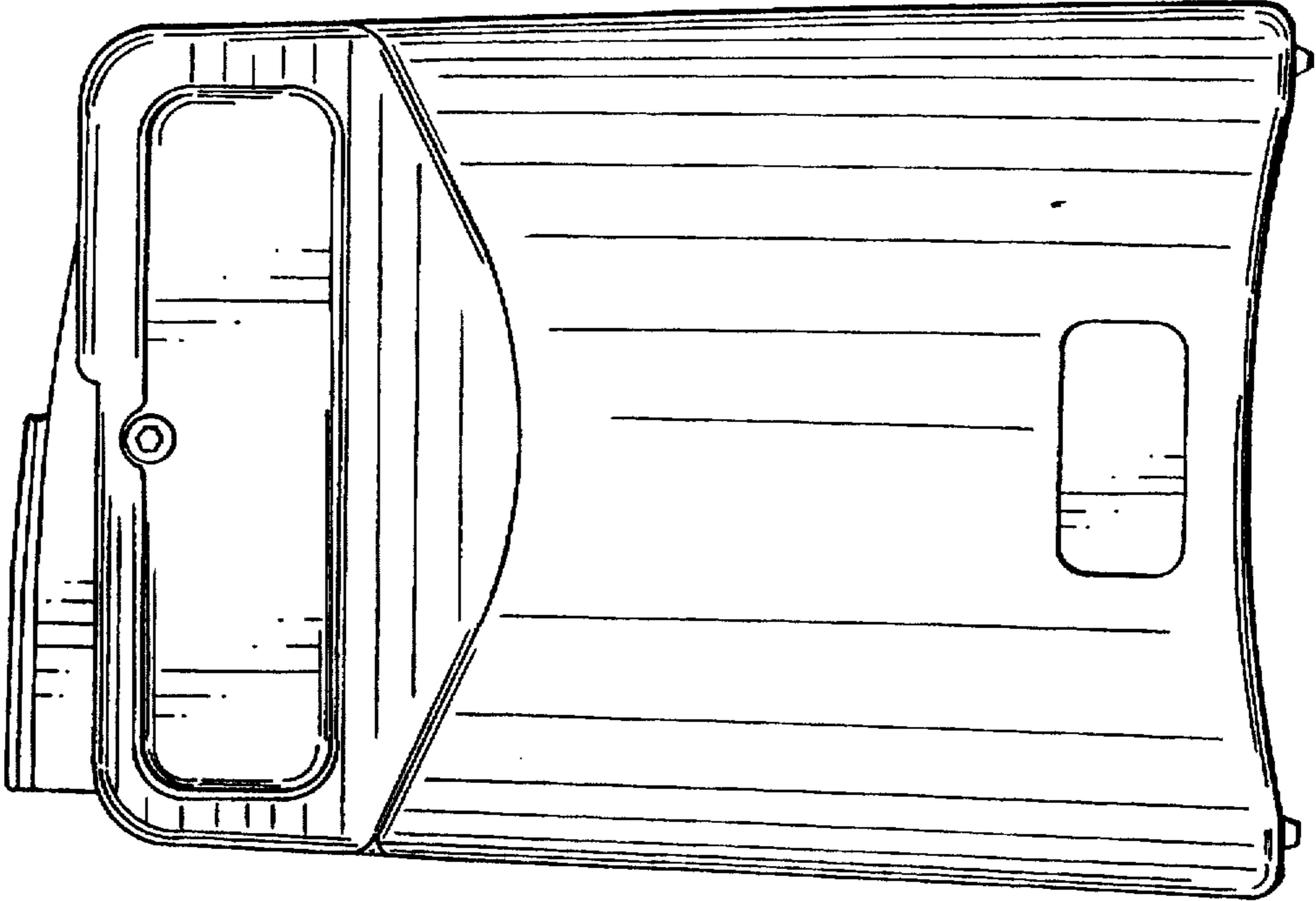


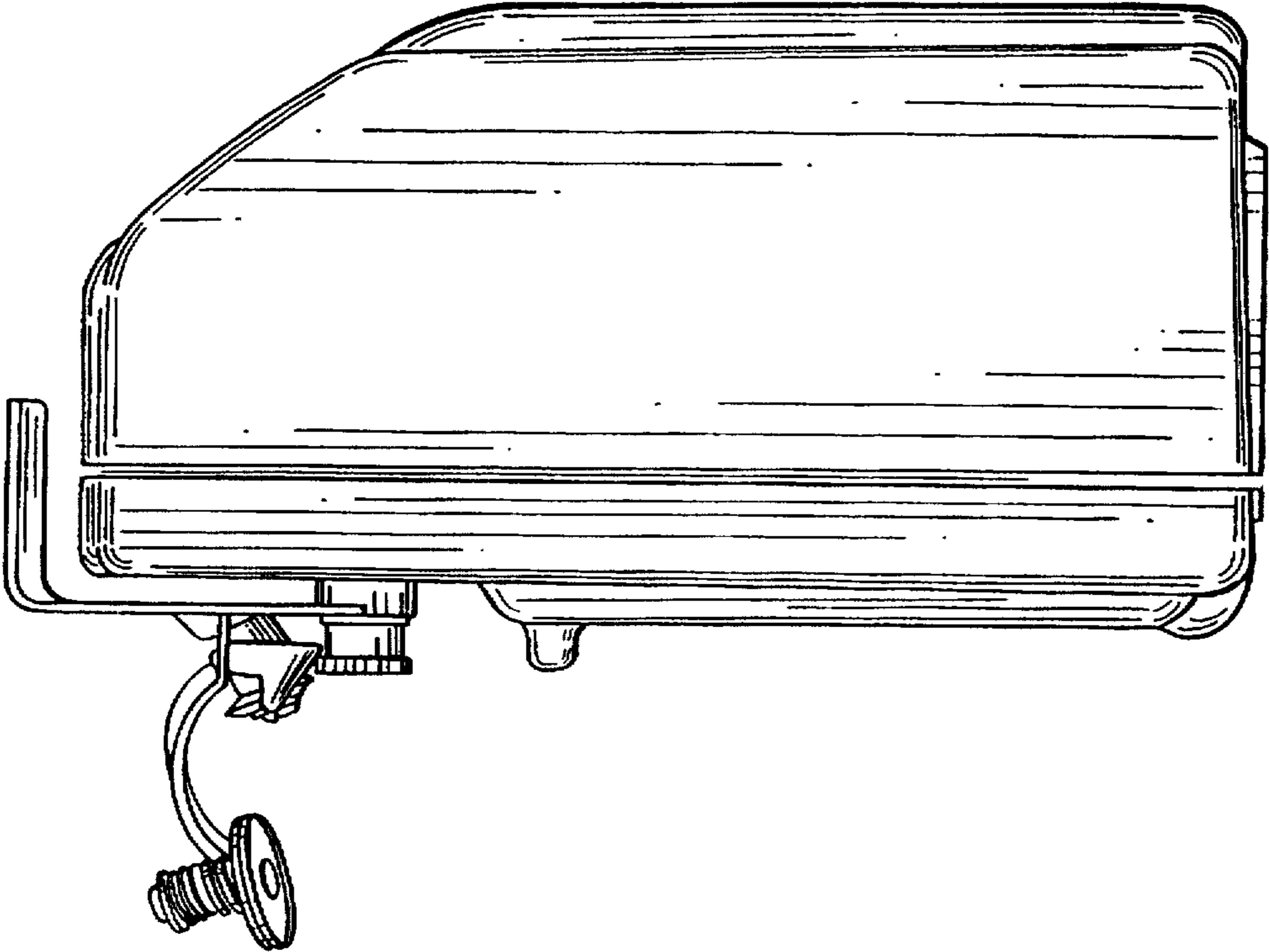
Fig. 2



4
Fig.



3
Fig.



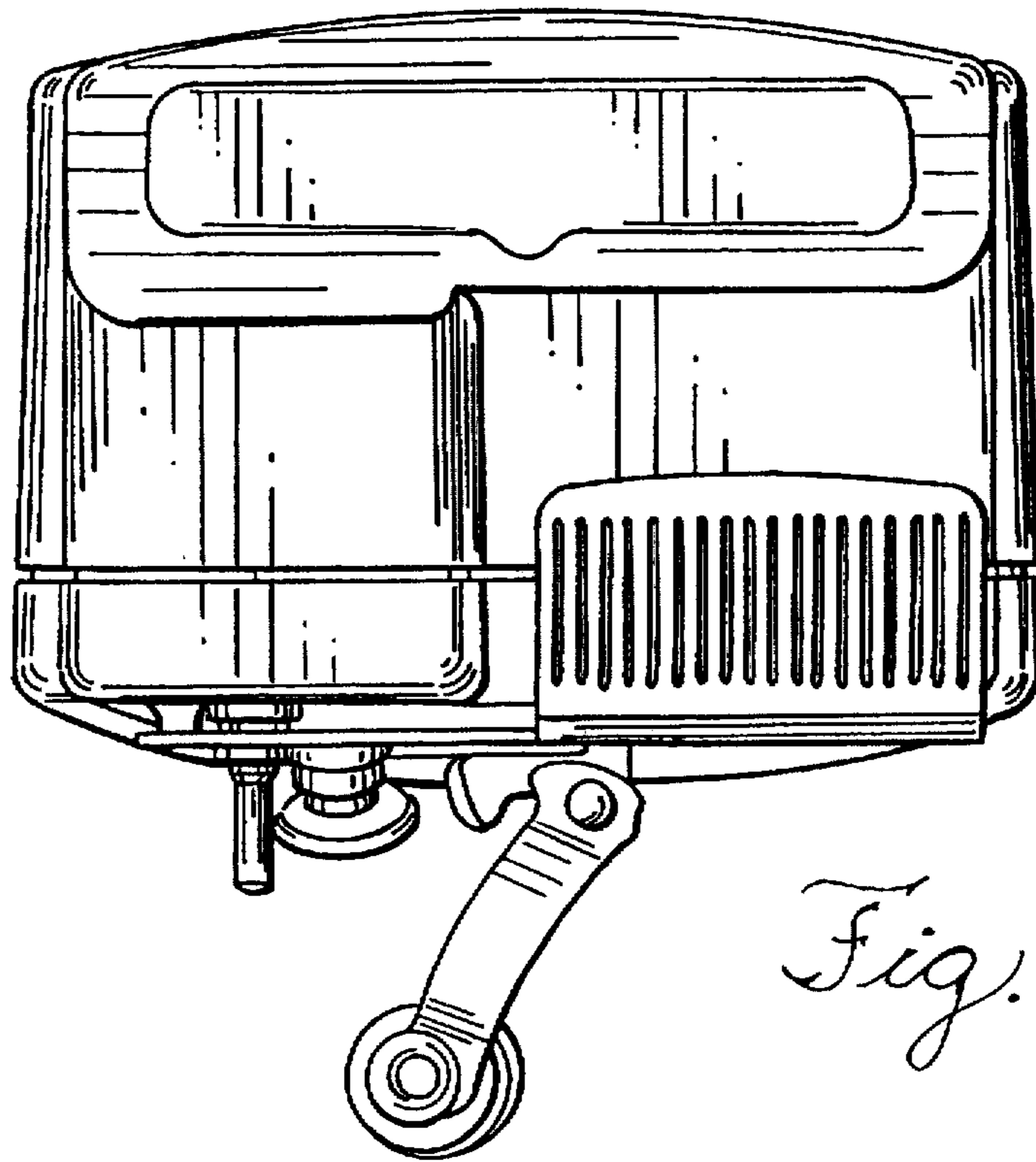


Fig. 5

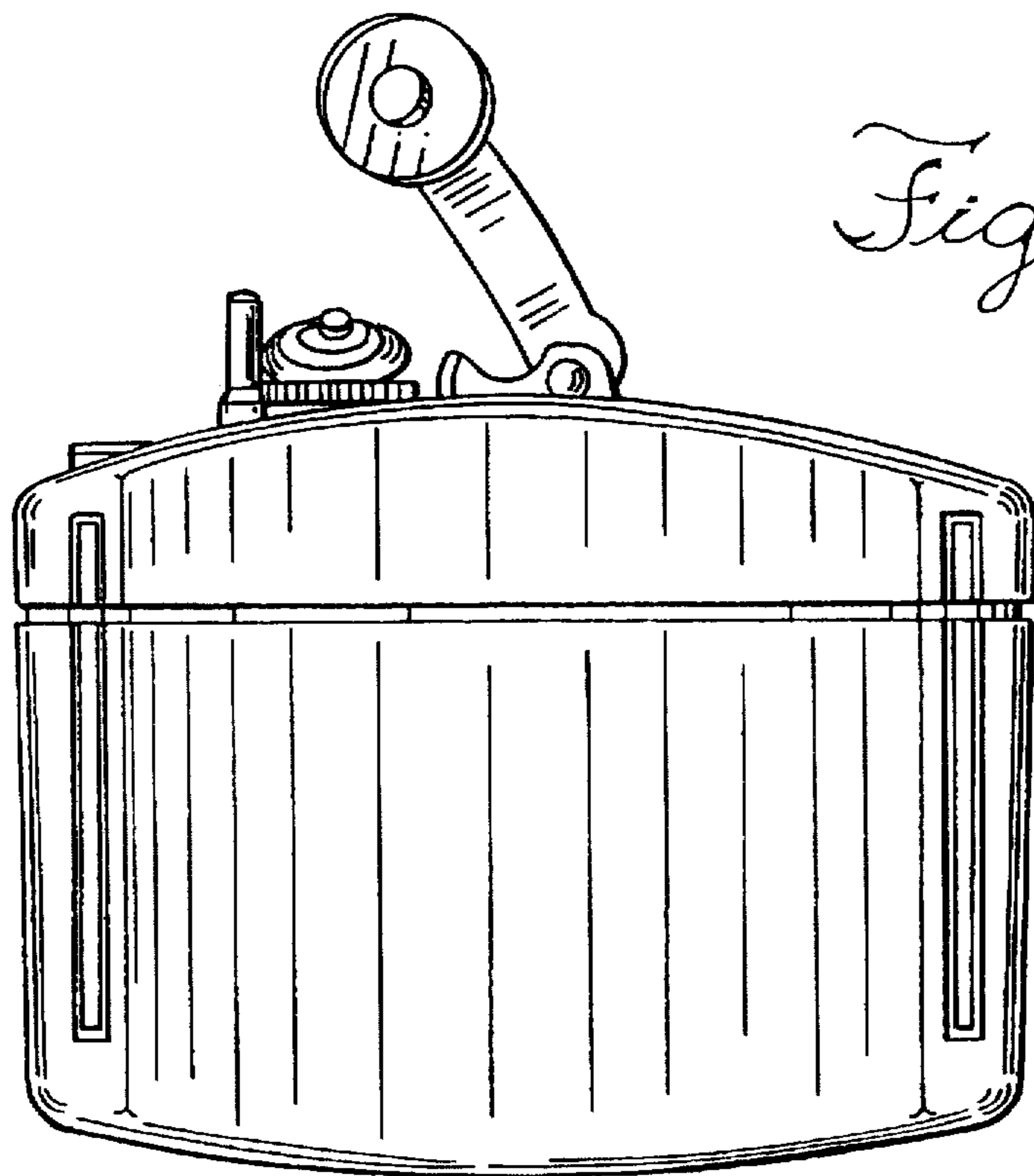


Fig. 6

Fig. 7

