



US00D394589S

United States Patent [19] King

[11] Patent Number: **Des. 394,589**
[45] Date of Patent: ****May 26, 1998**

[54] **BEVERAGE SHADER**

5,086,712 2/1992 Clark 108/50
5,186,196 2/1993 Gorka et al. 135/16

[76] Inventor: **J. William King**, 200 Hilton Ave., Apt.
20, Hempstead, N.Y. 11550

Primary Examiner—Terry A. Wallace
Attorney, Agent, or Firm—Myron Amer

[**] Term: **14 Years**

[57] **CLAIM**

[21] Appl. No.: **70,246**

The ornamental design for beverage shader, as shown and described.

[22] Filed: **May 2, 1997**

DESCRIPTION

[51] LOC (6) Cl. **07-06**

[52] U.S. Cl. **D7/707; D3/5**

[58] Field of Search **D7/701, 707, 708;**
D3/5; 62/457.1, 457.2, 457.3, 457.4; 220/737,
739; 248/346.11; 108/25, 50; 135/16

FIG. 1 is a perspective view of beverage shader showing my new design;
FIG. 2 is a right side elevational view thereof of which the left side elevational view is a mirror image;
FIG. 3 is a right angular elevational view thereof of which the left angular elevational view is a mirror image;
FIG. 4 is a top view thereof; and,
FIG. 5 is a bottom view thereof.

[56] **References Cited**

U.S. PATENT DOCUMENTS

D. 361,018 8/1995 Drape et al. D7/619
2,892,540 6/1959 Tupper D7/707 X

1 Claim, 3 Drawing Sheets

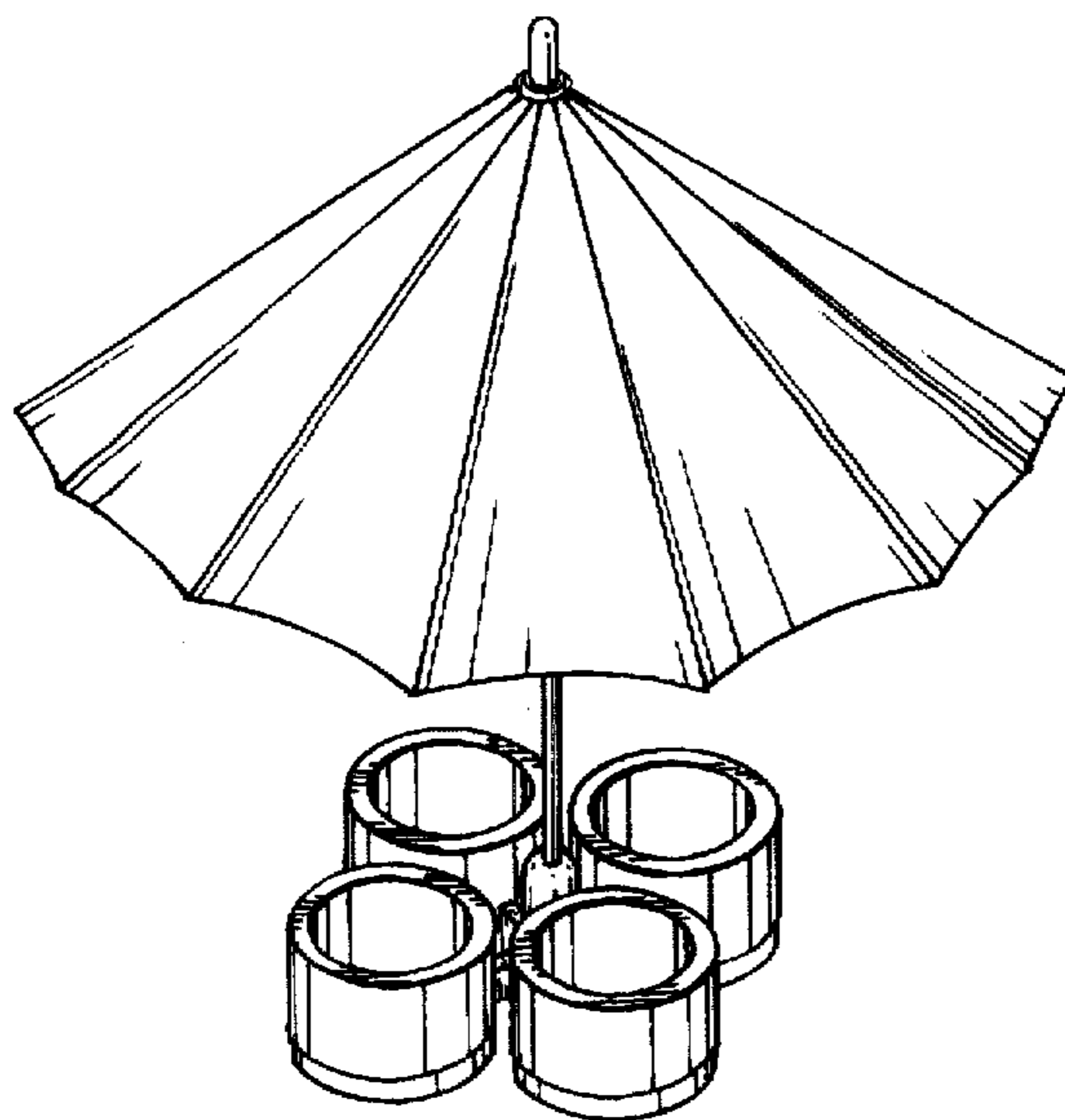


FIG. 1

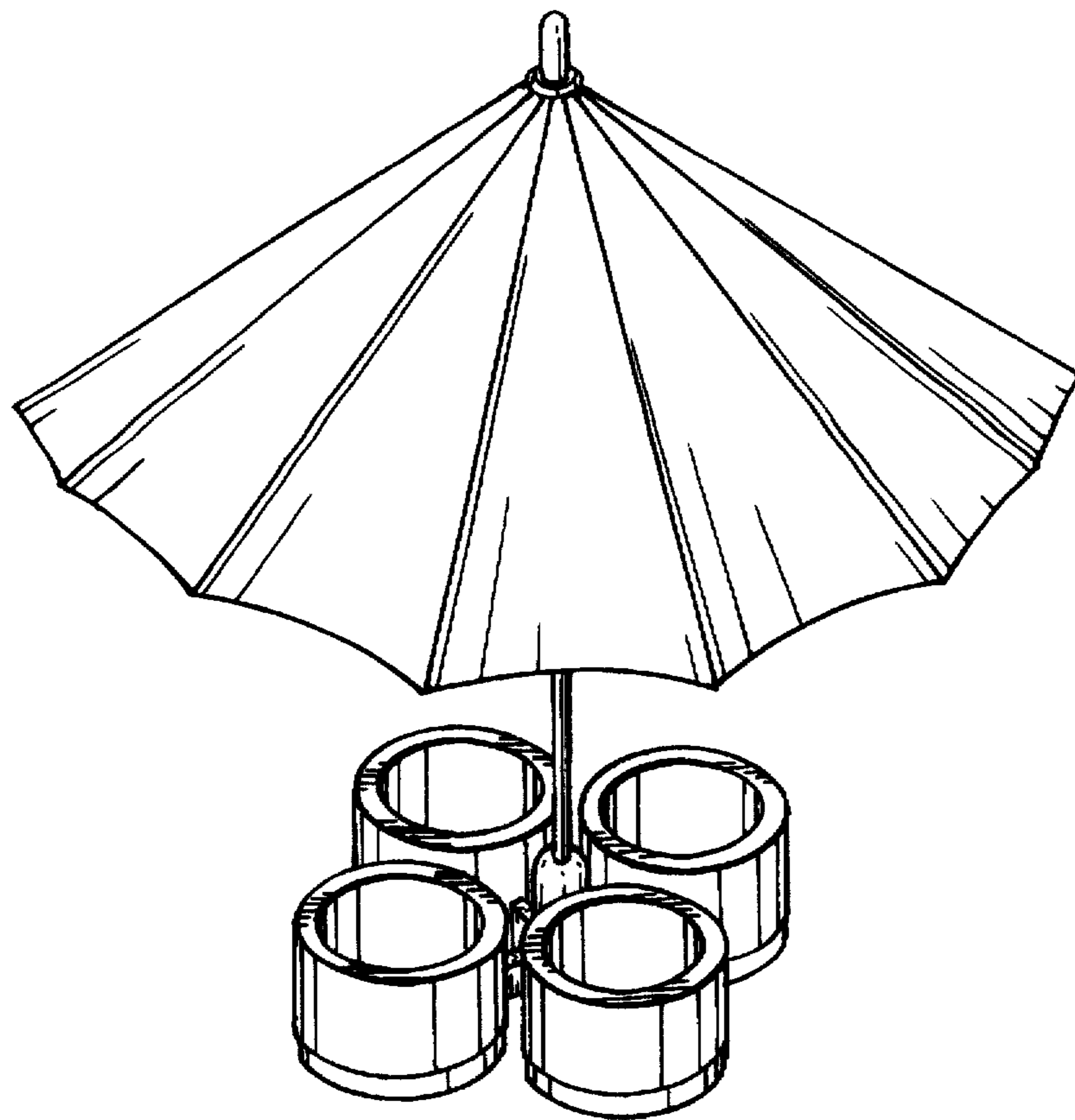


FIG. 2

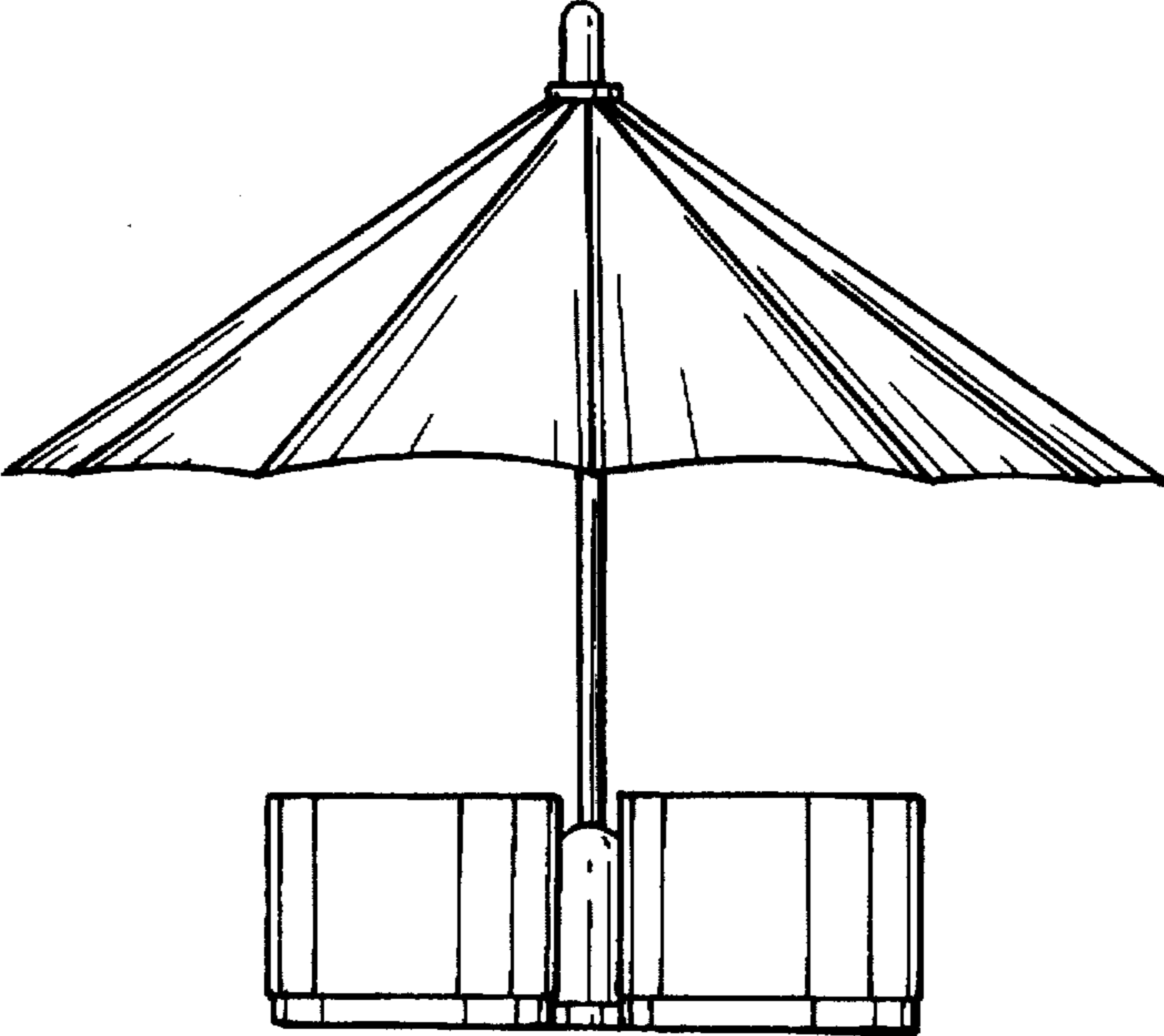


FIG. 3

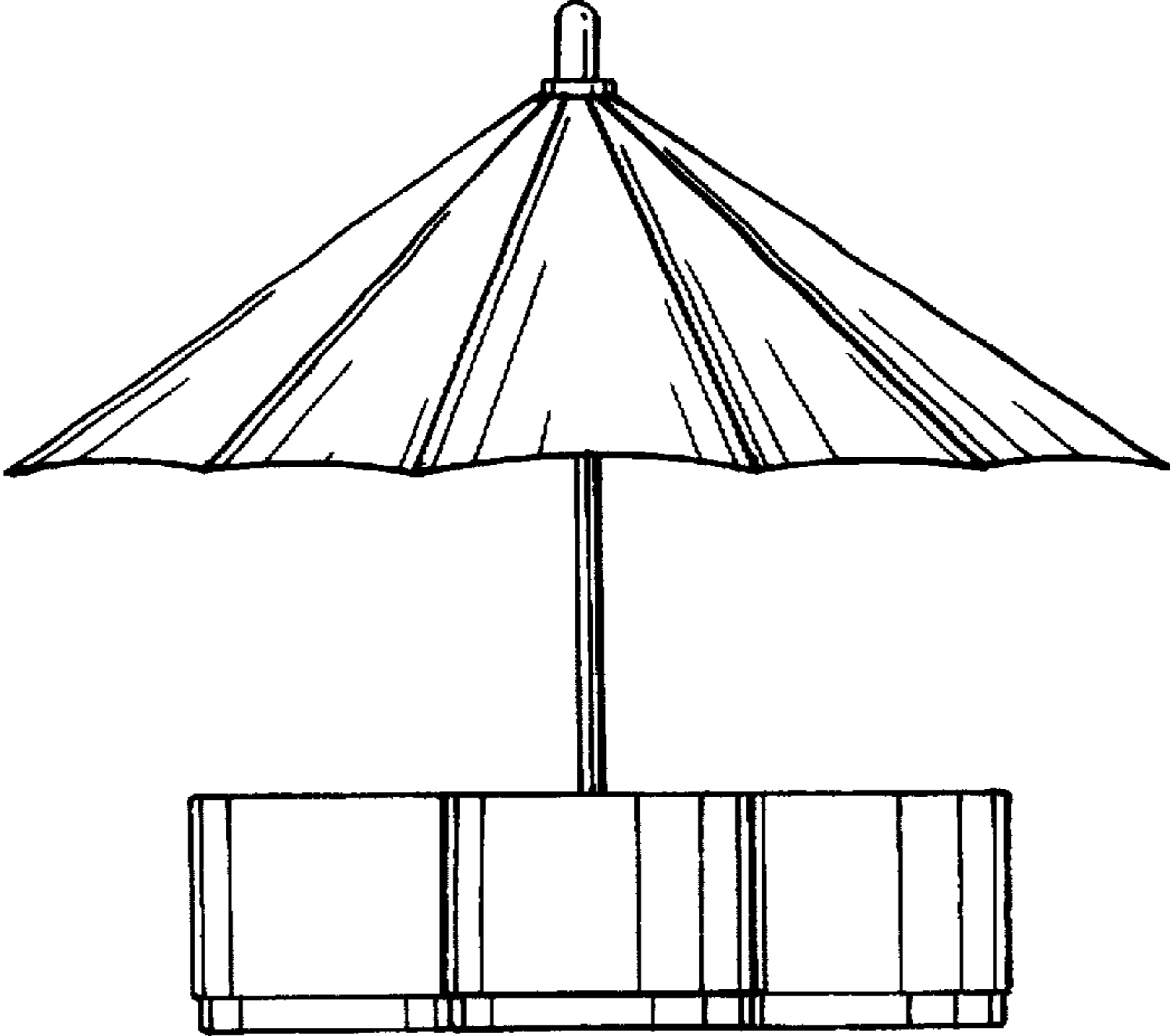


FIG. 4

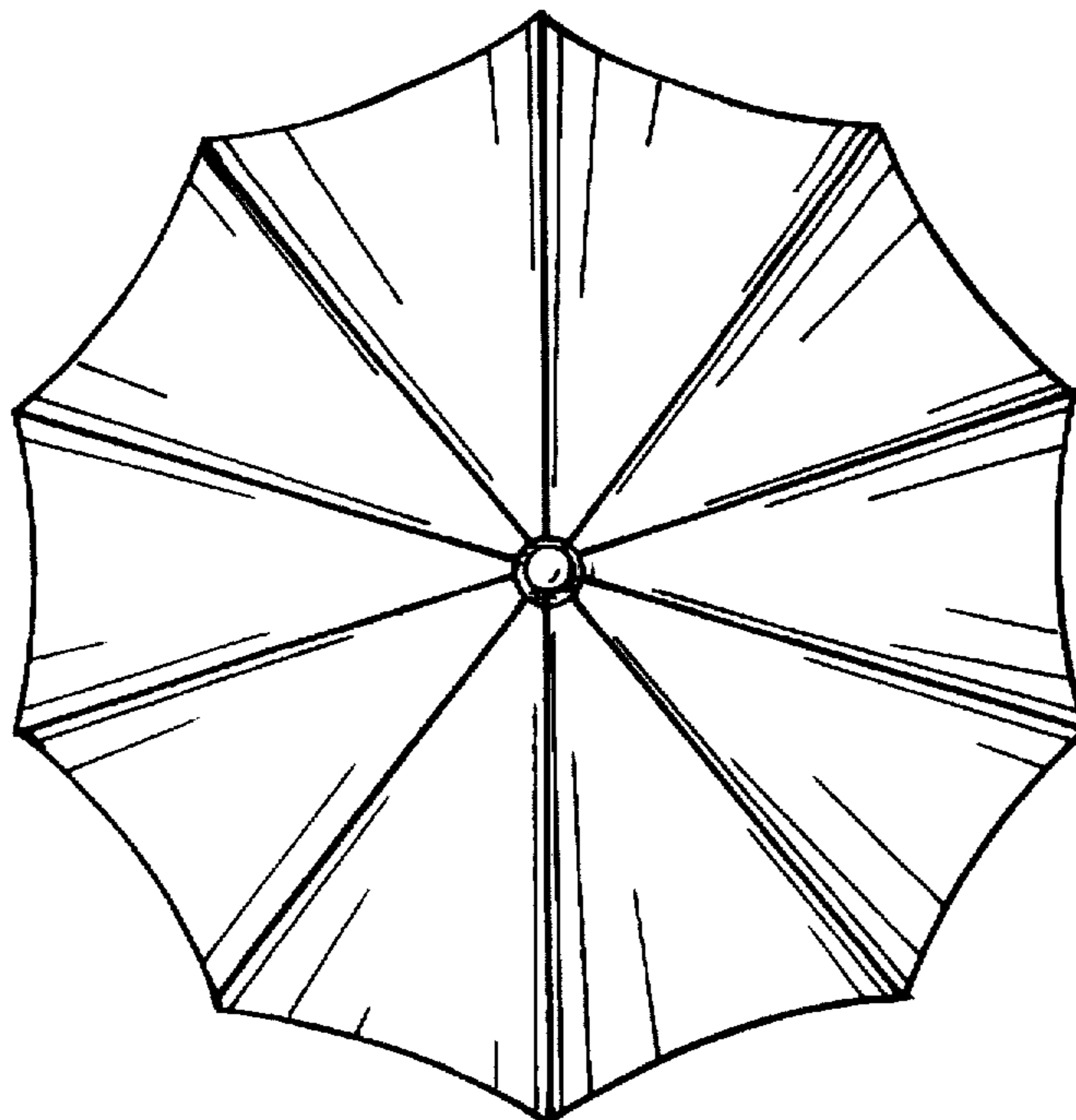


FIG. 5

