



US00D394583S

# United States Patent [19]

Asawa et al.

[11] Patent Number: **Des. 394,583**

[45] Date of Patent: **\*\*May 26, 1998**

[54] **MICROWAVE OVEN**

[75] Inventors: **Tatsuyoshi Asawa; Munenori Fujimoto; Akio Mikami**, all of Nara, Japan

[73] Assignee: **Matsushita Electric Industrial Co., Ltd.**, Osaka, Japan

[\*\*] Term: **14 Years**

[21] Appl. No.: **66,106**

[22] Filed: **Feb. 6, 1997**

### [30] Foreign Application Priority Data

Aug. 8, 1996 [JP] Japan ..... 8-23995

[51] LOC (6) Cl. .... **07-02**

[52] U.S. Cl. .... **D7/351**

[58] Field of Search ..... D7/350, 351, 405; 126/275 R, 275 E, 19 M, 21 A; 219/10.55 R, 10.55 A, 10.55 B, 10.55 C

### [56] References Cited

#### U.S. PATENT DOCUMENTS

D. 294,107 2/1988 Katagami et al. .... D7/350

D. 295,488 5/1988 Kido et al. .... D7/351  
D. 310,150 8/1990 Ichihara et al. .  
D. 329,569 9/1992 Ichihara et al. .... D7/351  
D. 330,144 10/1992 Takabata et al. .... D7/351

#### FOREIGN PATENT DOCUMENTS

657199 7/1987 Japan .

*Primary Examiner*—Ruth McInroy

*Attorney, Agent, or Firm*—Sughrue, Mion, Zinn, Macpeak & Seas, PLLC

### [57] CLAIM

The ornamental design for a microwave oven, as shown.

### DESCRIPTION

FIG. 1 is a perspective view of the top, front and right side of a microwave oven showing our new design; FIG. 2 is a front elevational view thereof; FIG. 3 is a top plan view thereof; FIG. 4 is a right side elevational view thereof; FIG. 5 is a left side elevational view thereof; FIG. 6 is a rear elevational view thereof; FIG. 7 is a bottom plan view thereof; and, FIG. 8 is a view similar to FIG. 1 with three doors in the open position.

**1 Claim, 5 Drawing Sheets**

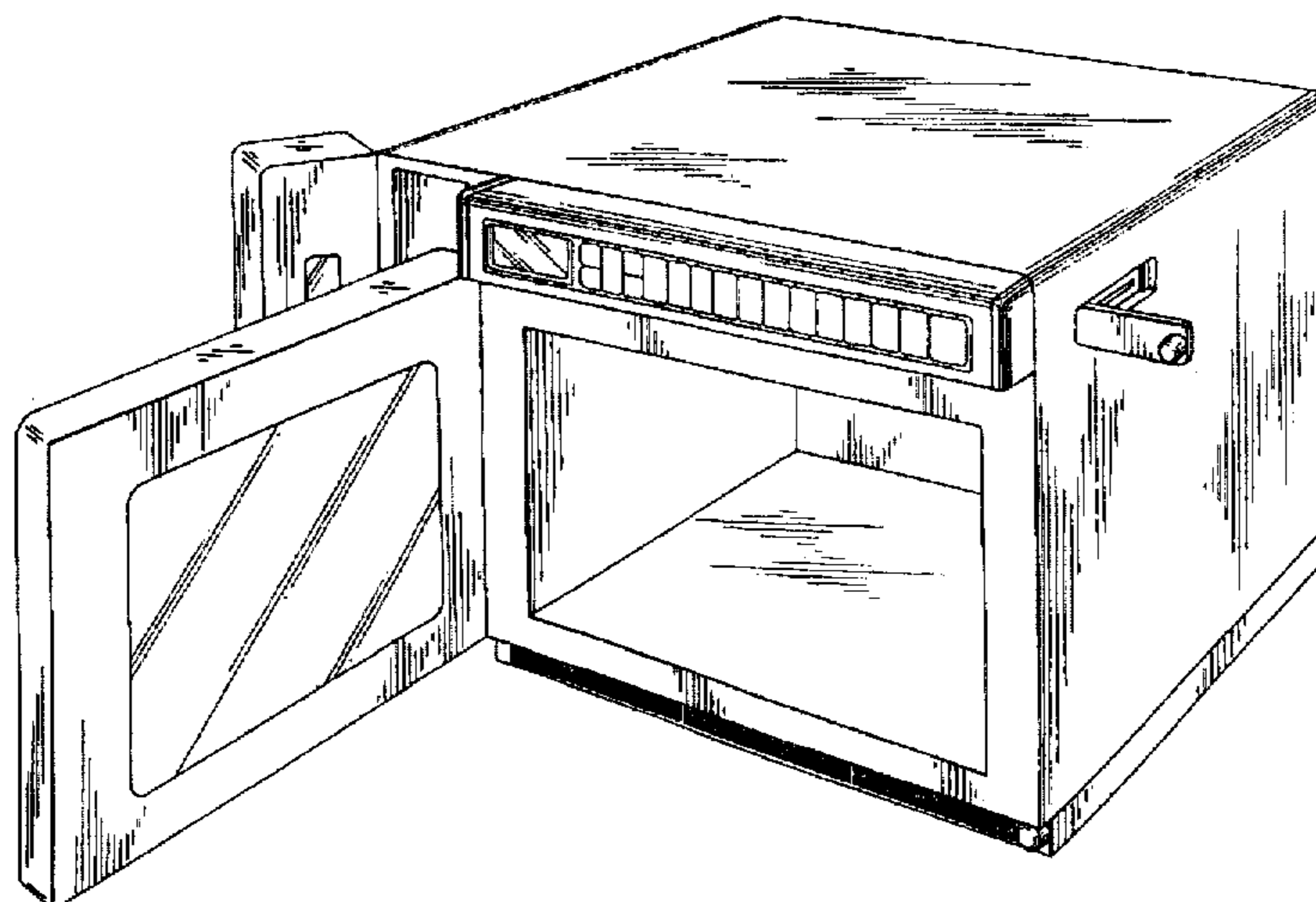
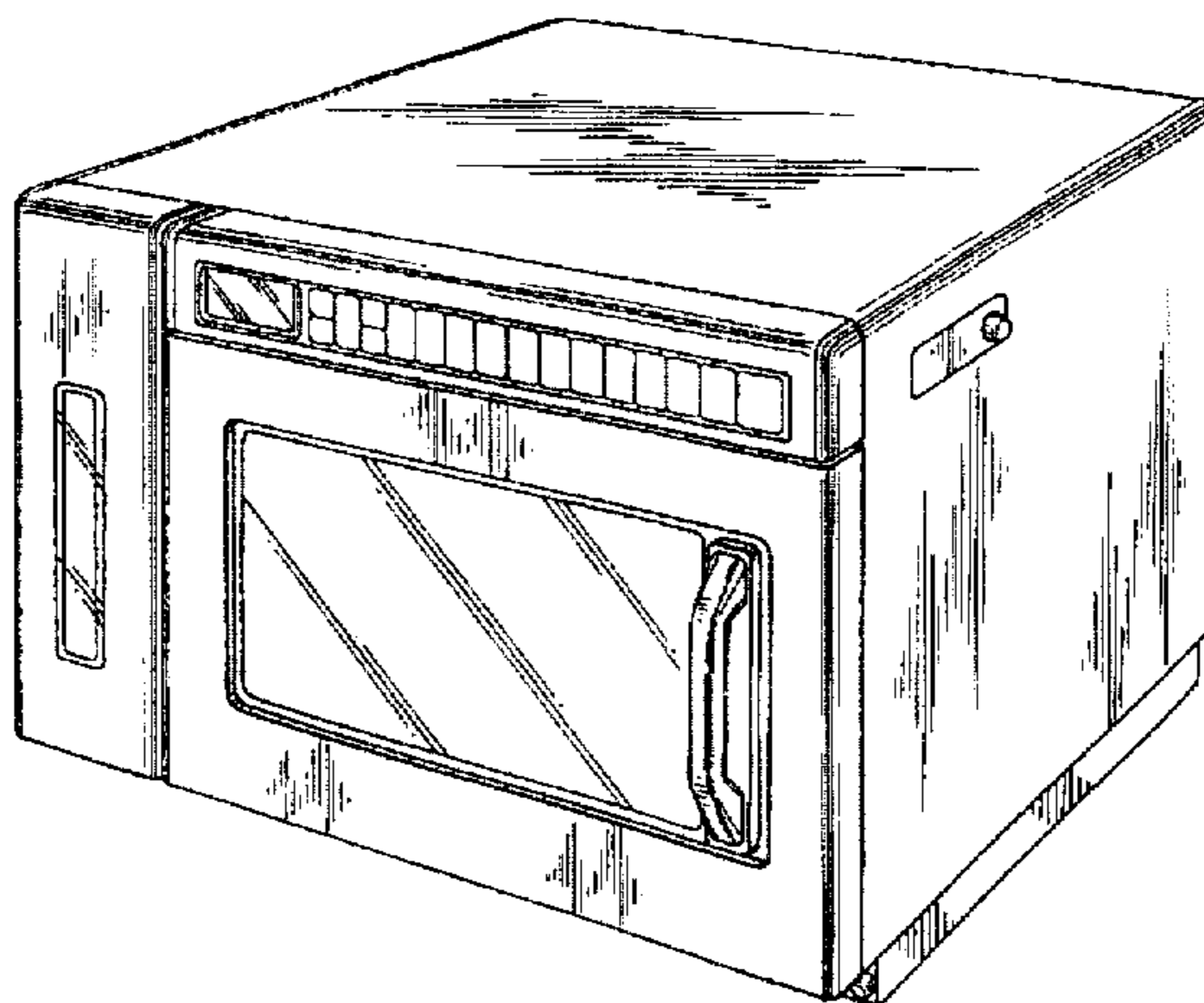


FIG. 1

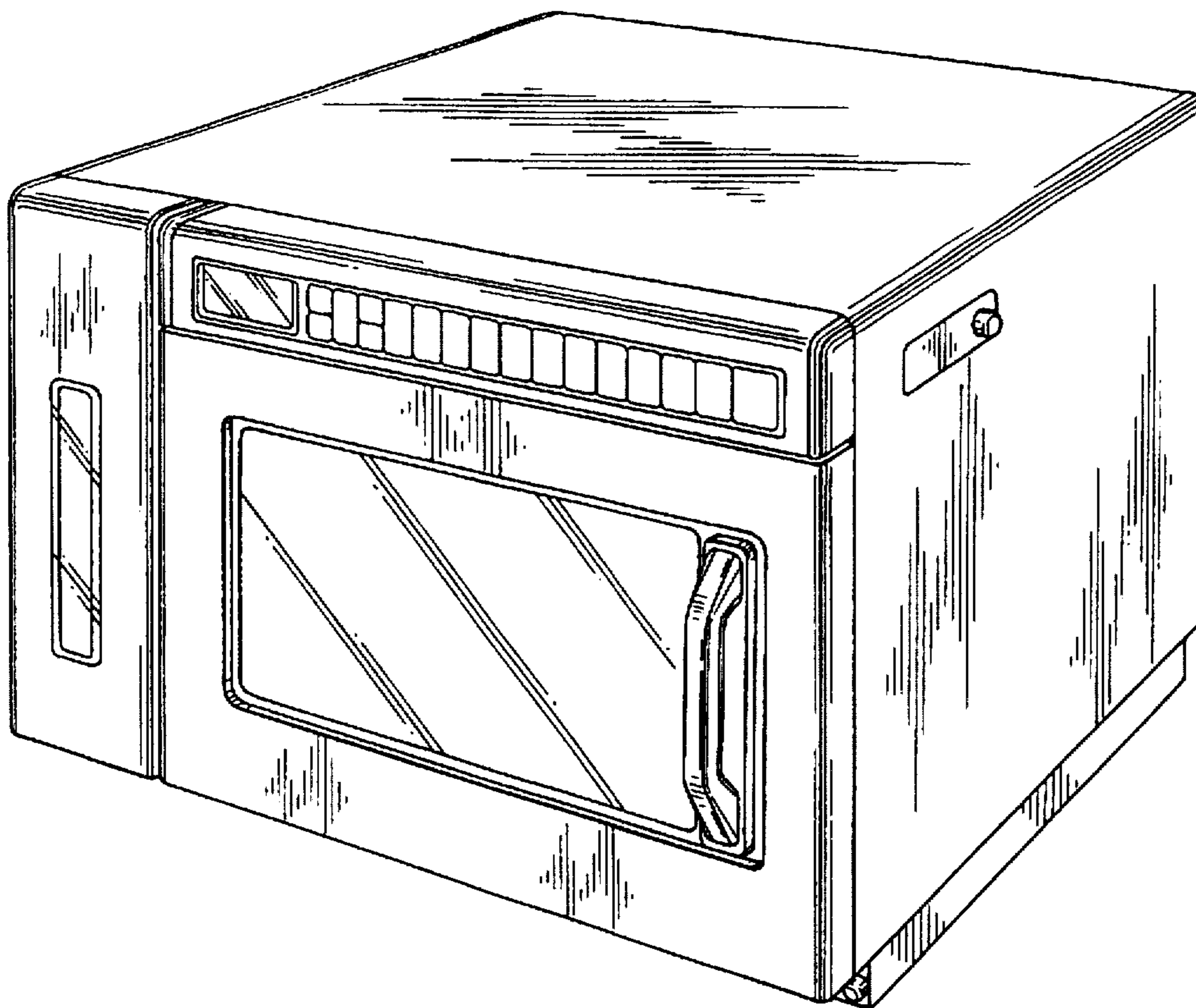


FIG. 2

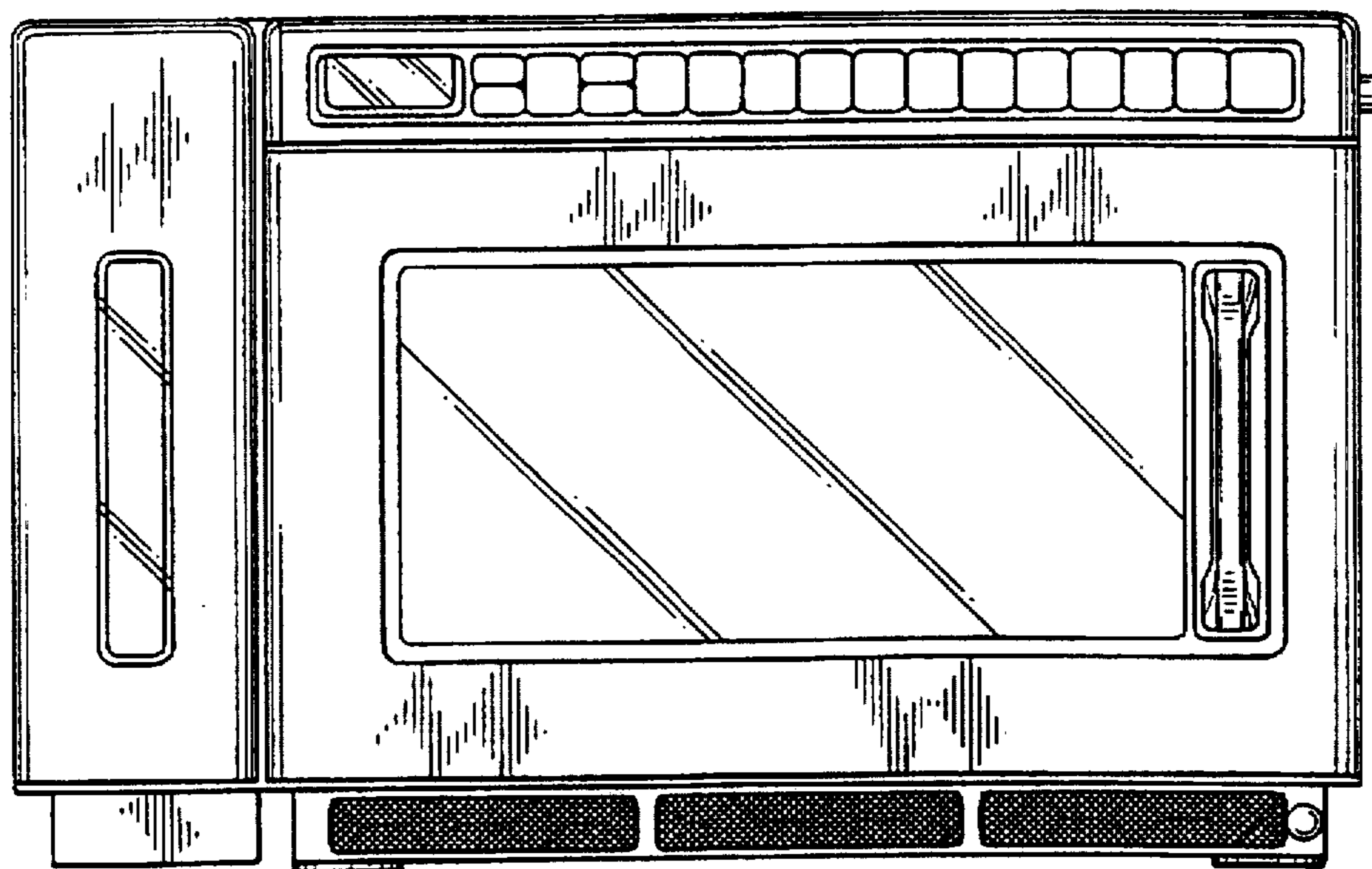


FIG. 3

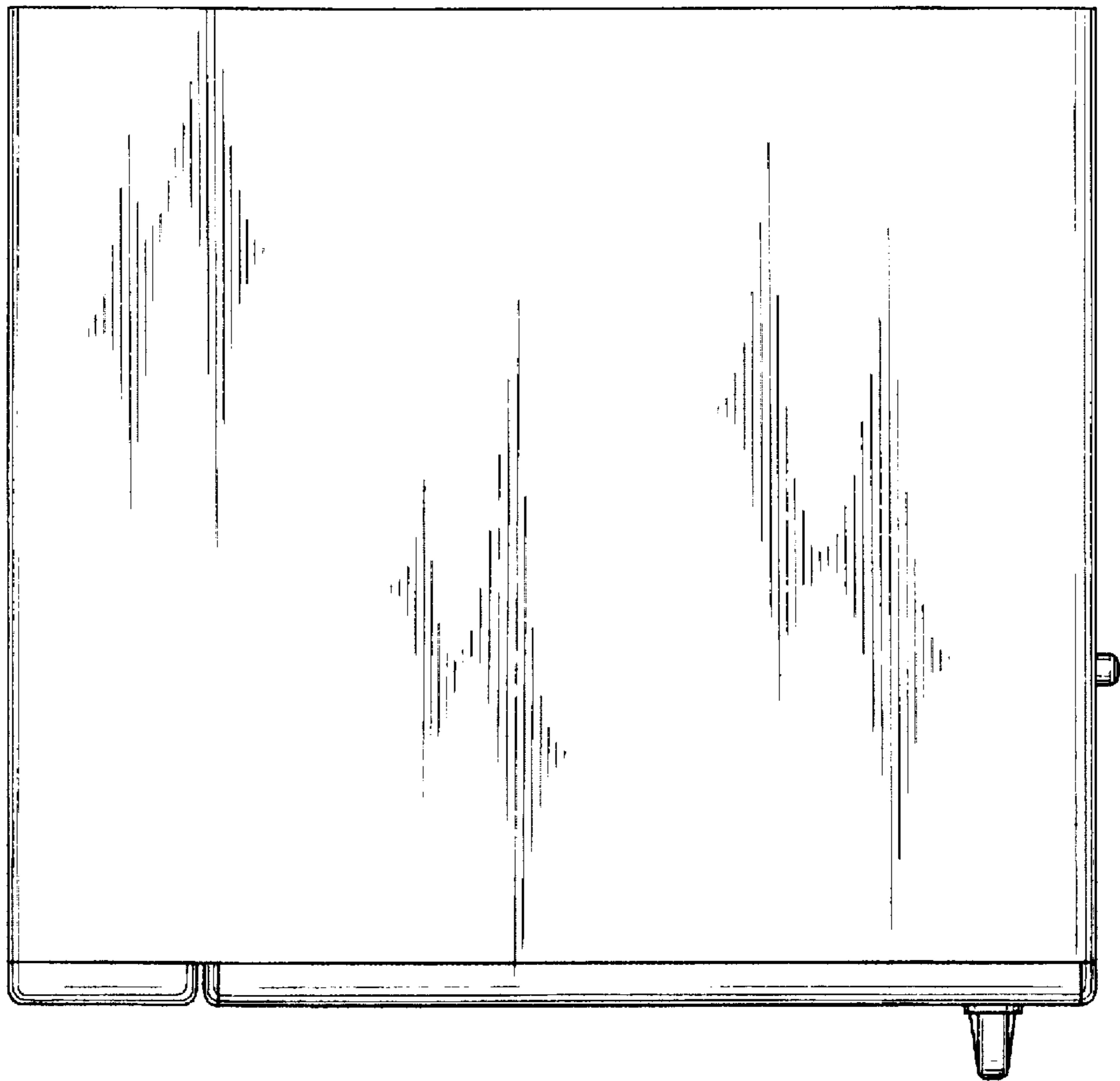


FIG. 4

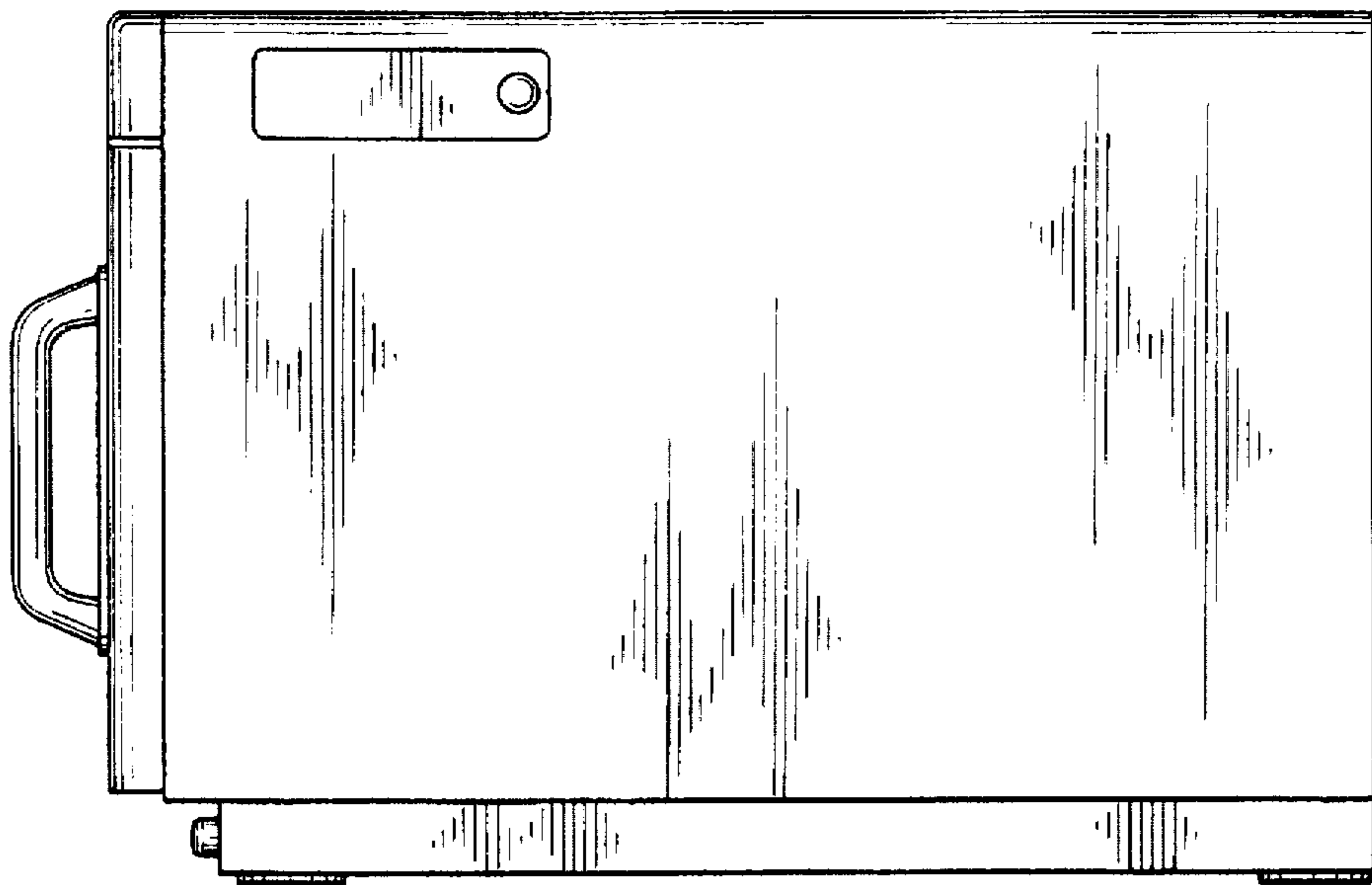


FIG. 5

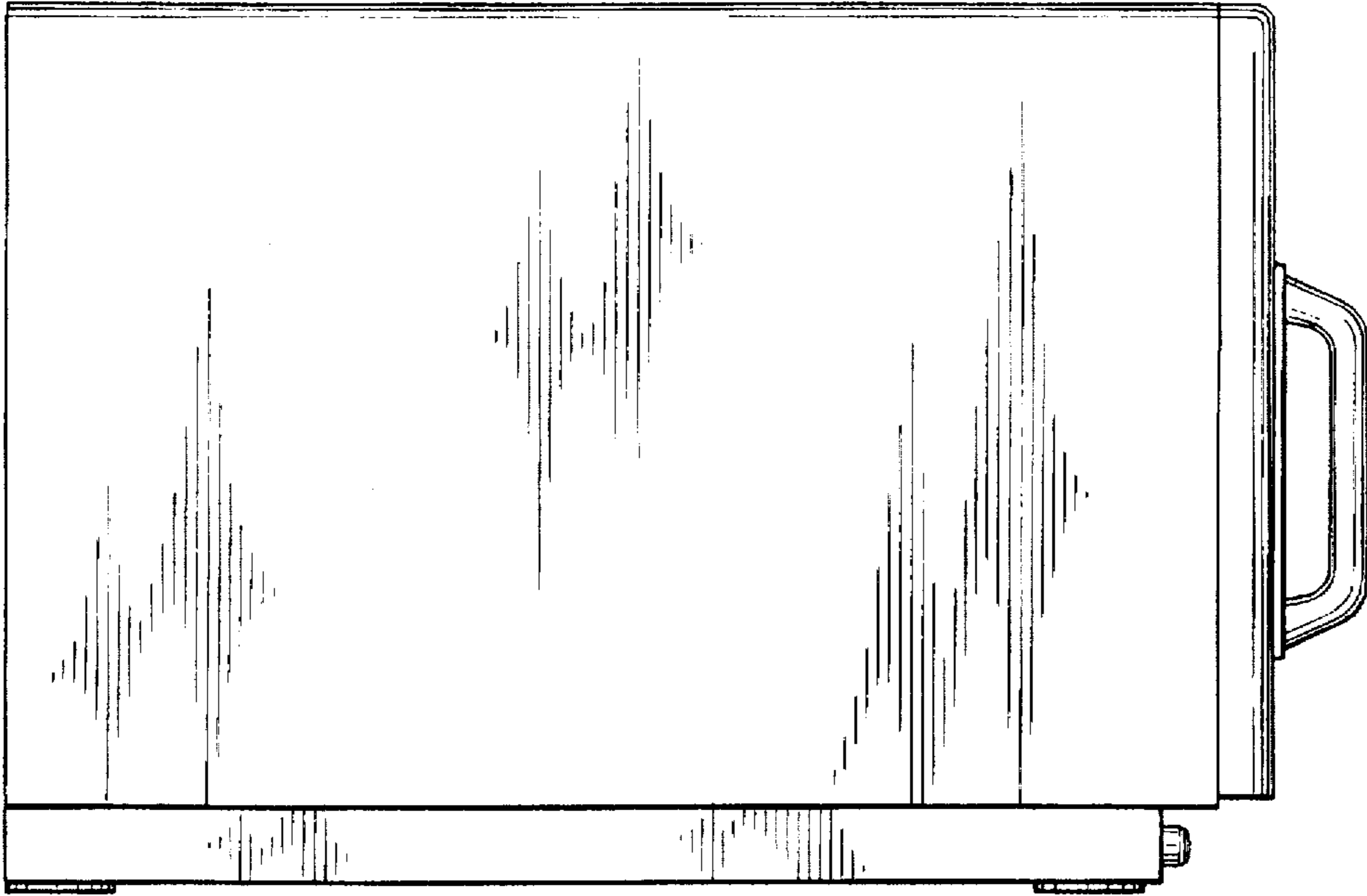


FIG. 6

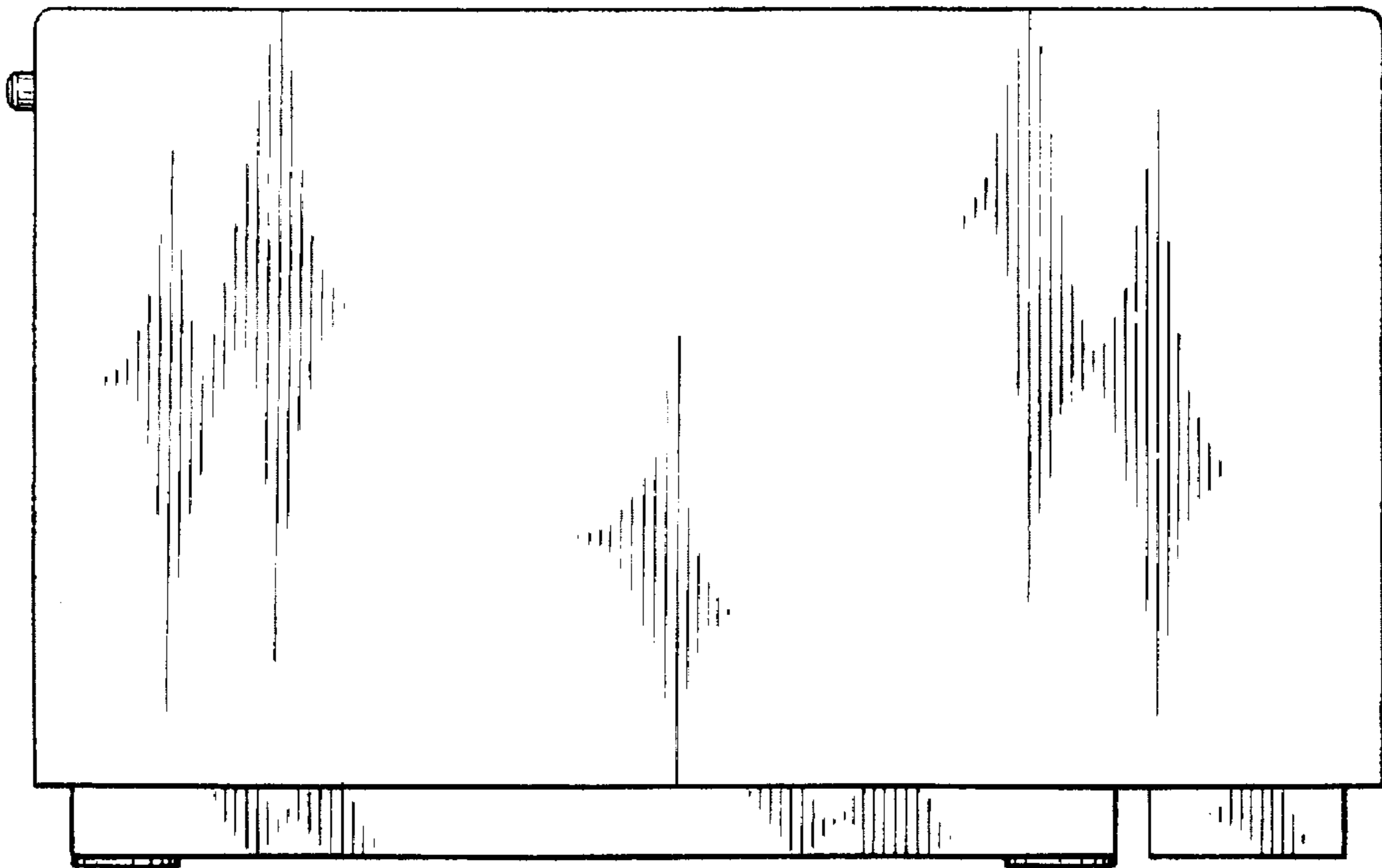


FIG. 7

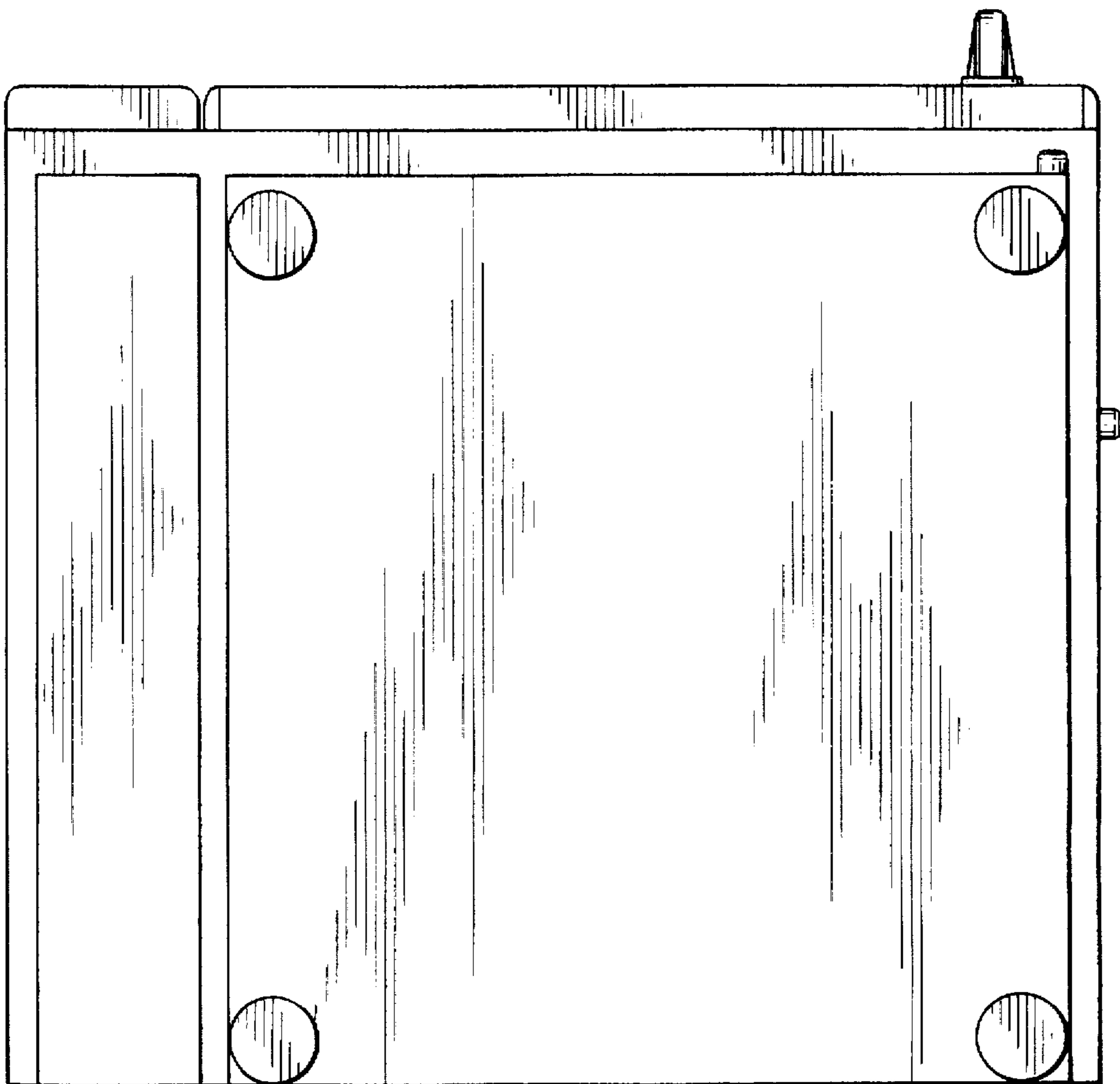


FIG. 8

