



US00D394582S

# United States Patent [19]

Micoley et al.

[11] Patent Number: **Des. 394,582**

[45] Date of Patent: **\*\*May 26, 1998**

[54] **WIDE LOAF BREADMAKER**

[75] Inventors: **Scott Micoley, Cedarburg; David C. Belongia, Kewaskum, both of Wis.**

[73] Assignee: **The West Bend Company, West Bend, Wis.**

[\*\*] Term: **14 Years**

D. 351,759 10/1994 Maruyama et al. .... D7/350  
 D. 357,384 4/1995 Maeda et al. .... D7/350  
 D. 358,061 5/1995 Duquaine et al. .... D7/350  
 D. 358,528 5/1995 Hyun ..... D7/350  
 D. 364,070 11/1995 Klein et al. .... D7/350  
 D. 367,397 2/1996 Dornbush et al. .... D7/350  
 D. 371,932 7/1996 Lee ..... D7/350  
 D. 375,432 11/1996 Hamada et al. .... D7/350  
 D. 379,735 6/1997 Hamada et al. .... D7/350

[21] Appl. No.: **56,850**

[22] Filed: **Jul. 8, 1996**

[51] LOC (6) Cl. .... **07-02**

[52] U.S. Cl. .... **D7/350**

[58] Field of Search ..... D7/350, 19 M,  
 D7/21 A, 21 R, 275 R, 275 E; 99/341,  
 348, 359, 467-468; 219/391, 400, 402

*Primary Examiner*—Ruth McInroy  
*Attorney, Agent, or Firm*—Jansson, Shupe, Bridge & Munger, Ltd.

## [57] CLAIM

The ornamental design for a wide loaf breadmaker, as shown.

## DESCRIPTION

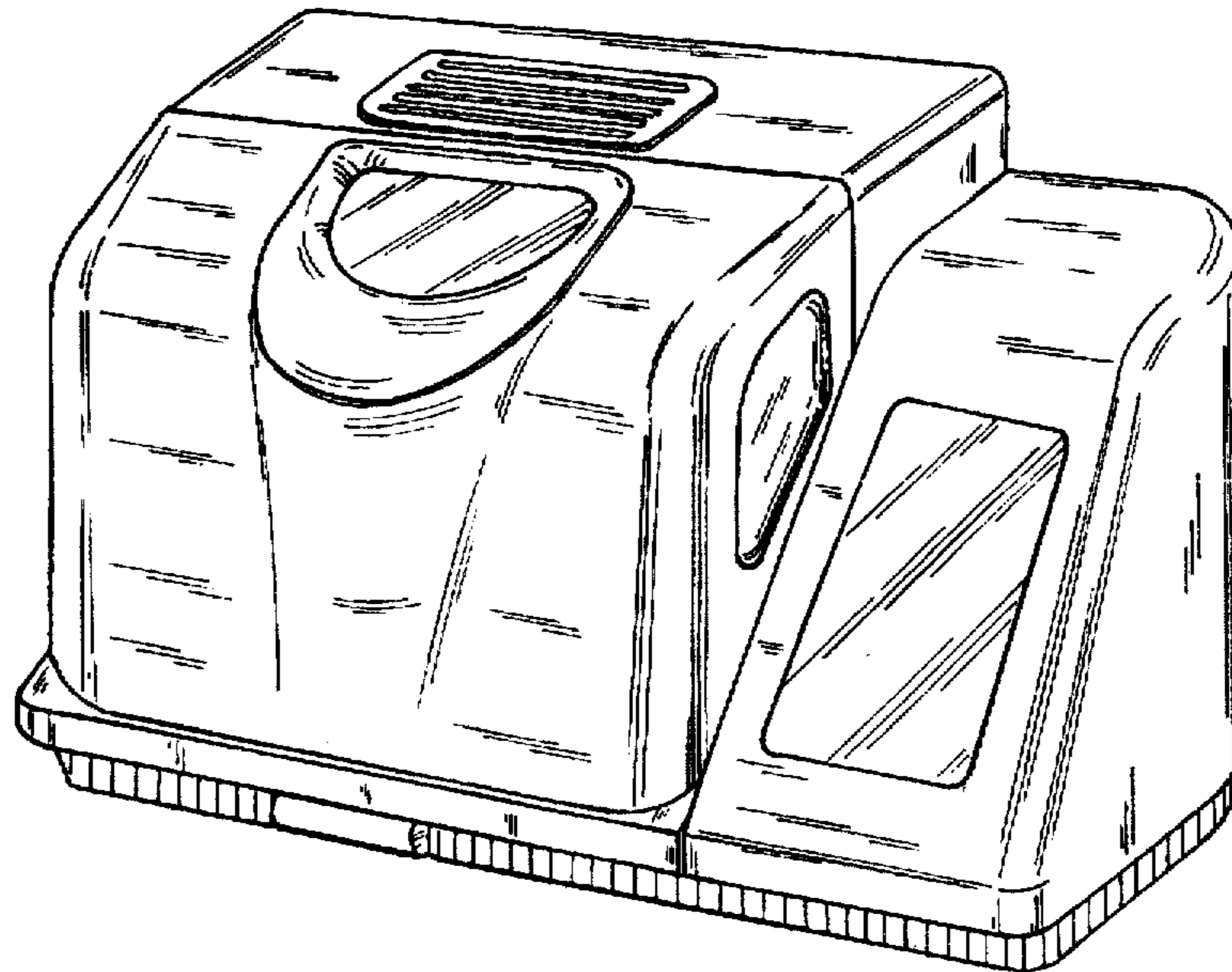
FIG. 1 is a perspective view of a wide loaf breadmaker showing our new design;  
 FIG. 2 is a front elevation view thereof;  
 FIG. 3 is a top plan view thereof;  
 FIG. 4 is a rear elevation view thereof;  
 FIG. 5 is a right side elevation view thereof;  
 FIG. 6 is a left side elevation view thereof; and,  
 FIG. 7 is a bottom plan view thereof.

[56] **References Cited**

**U.S. PATENT DOCUMENTS**

D. 311,848 11/1990 Mikami et al. .... D7/348  
 D. 314,687 2/1991 Kim ..... D7/350  
 D. 325,147 4/1992 Watanabe et al. .... D7/348  
 D. 330,306 10/1992 Kim ..... D7/350  
 D. 341,515 11/1993 Hamada et al. .... D7/350  
 D. 346,303 4/1994 Kaneko ..... D7/350  
 D. 350,104 8/1994 Wistrand ..... D7/350

**1 Claim, 3 Drawing Sheets**



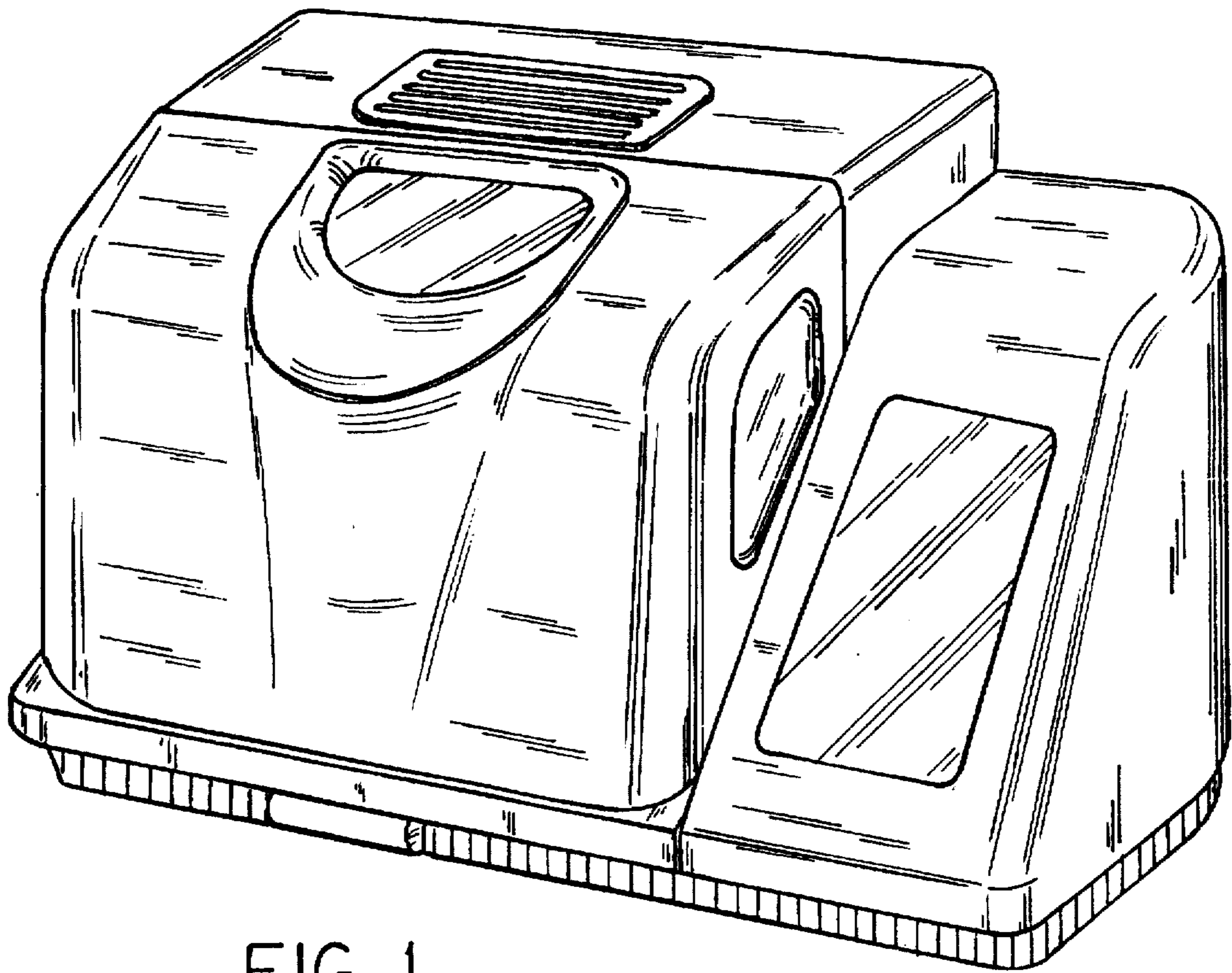


FIG. 1

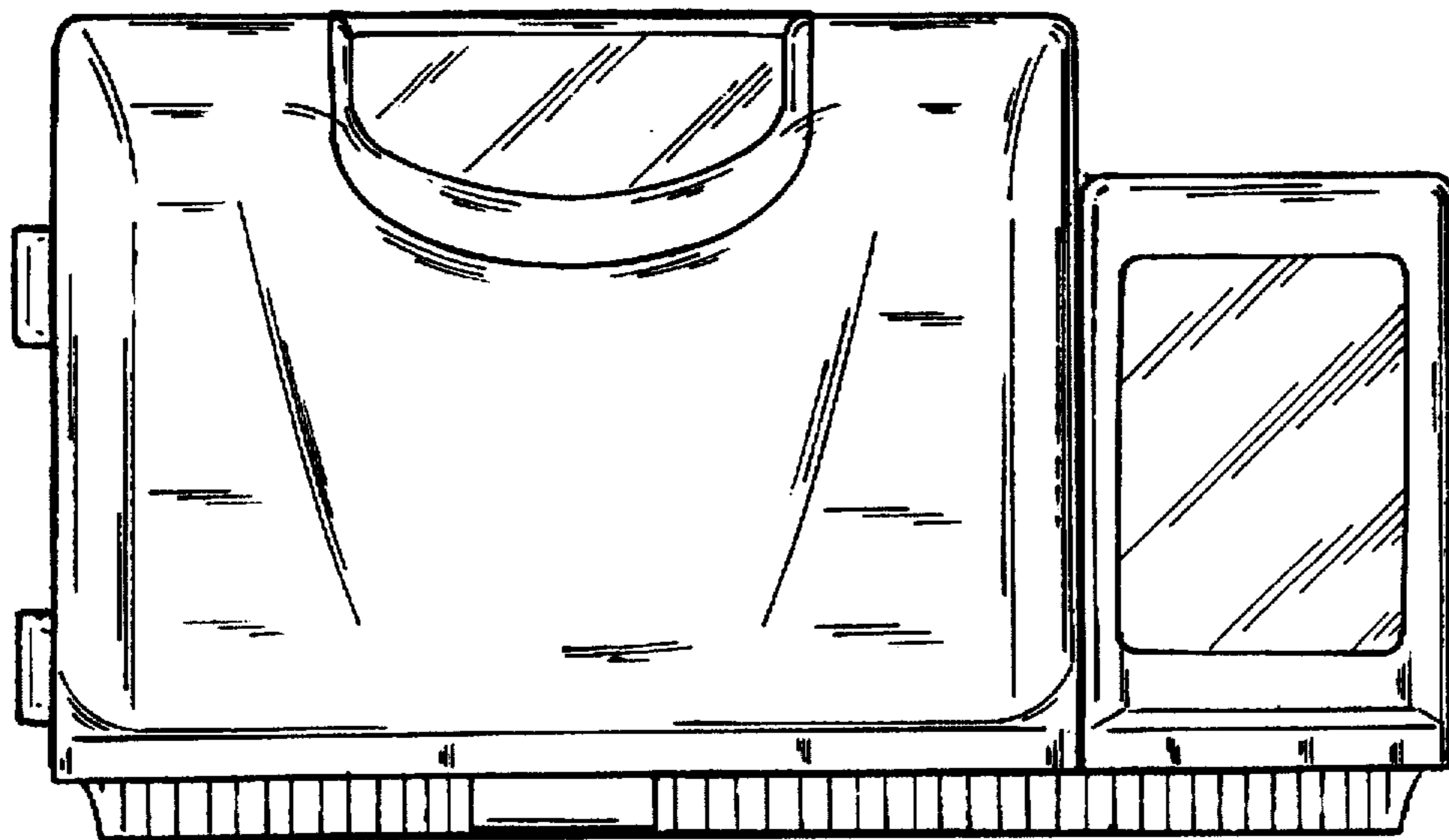


FIG. 2

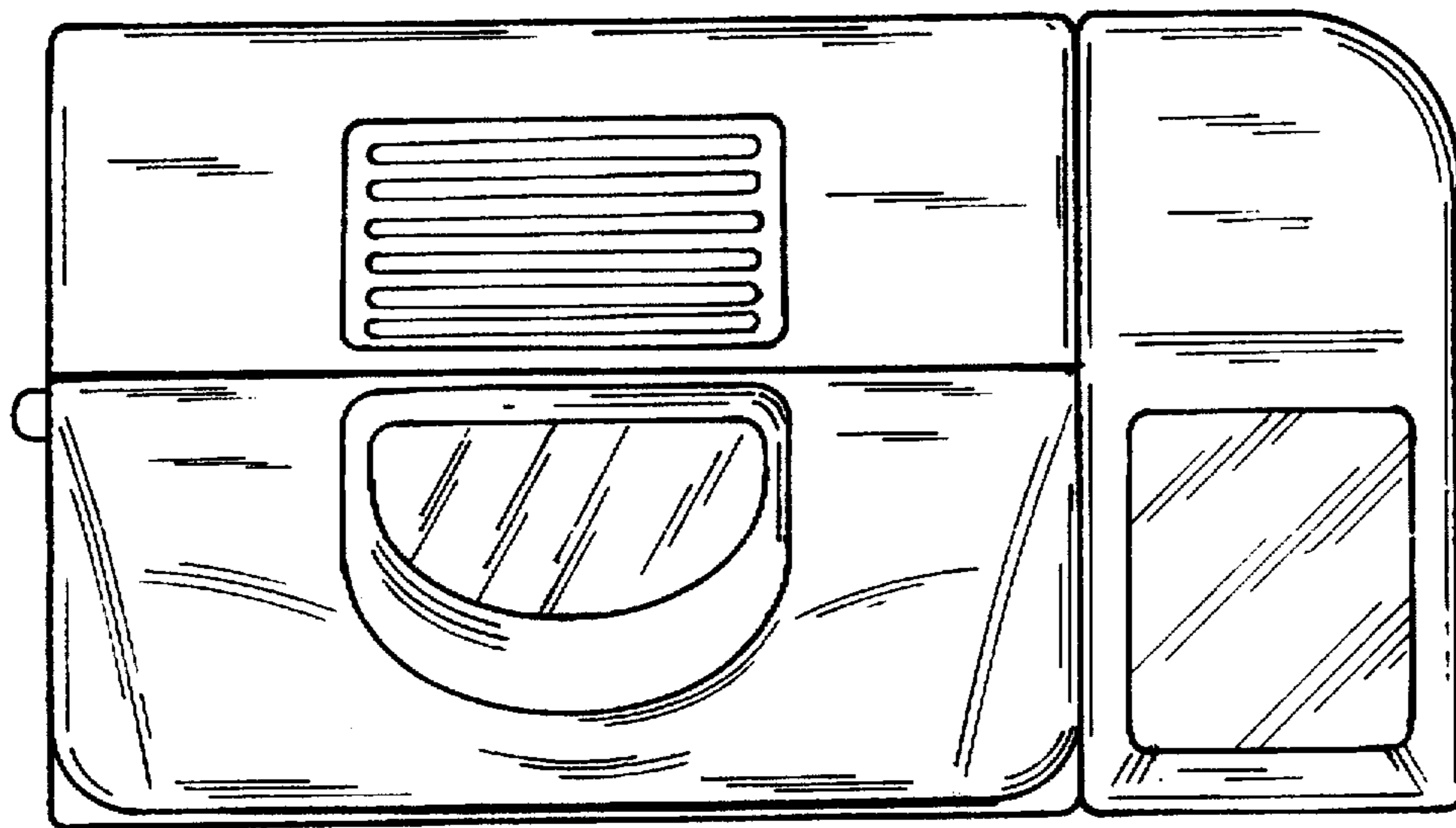


FIG. 3

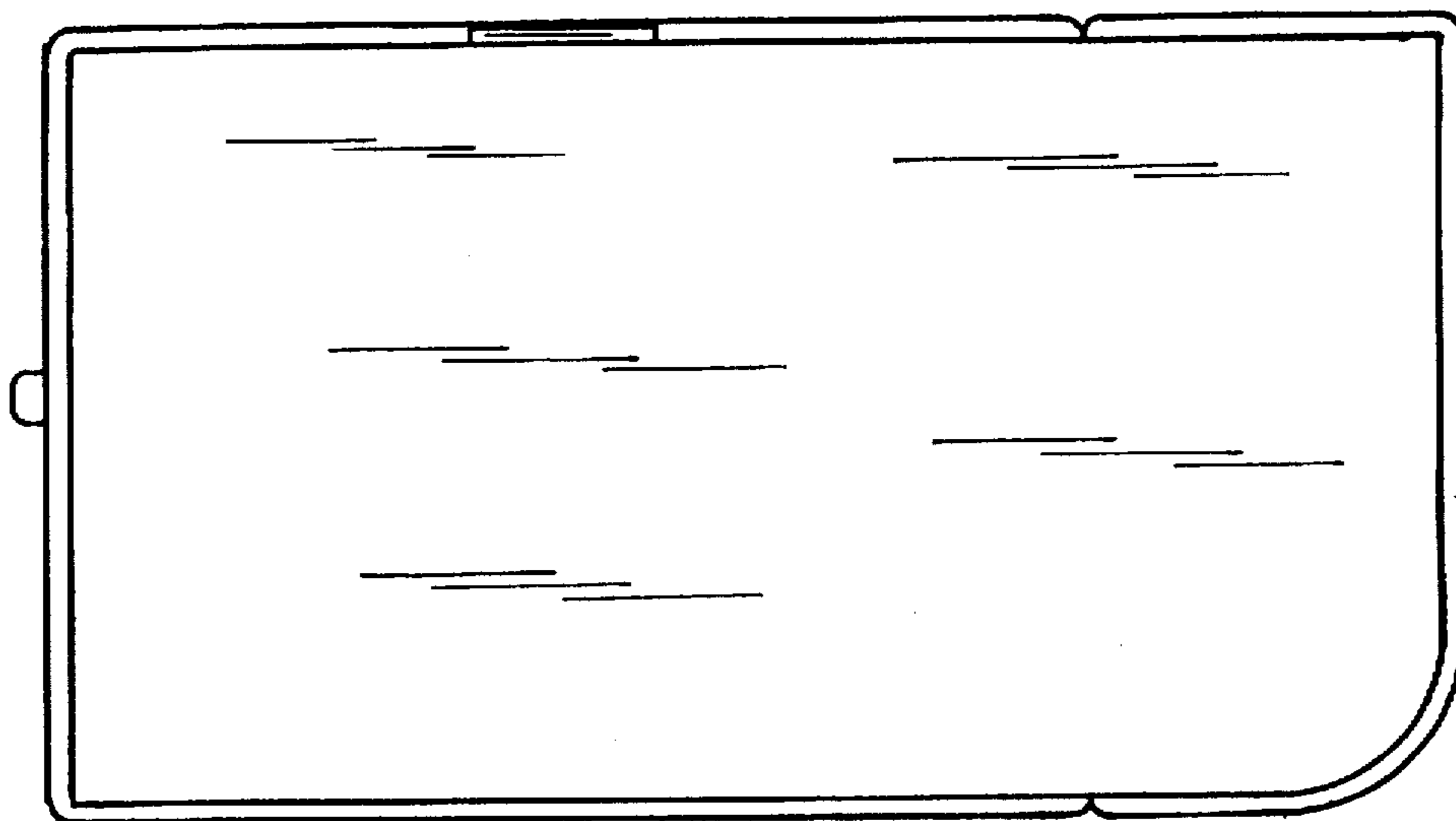


FIG. 7

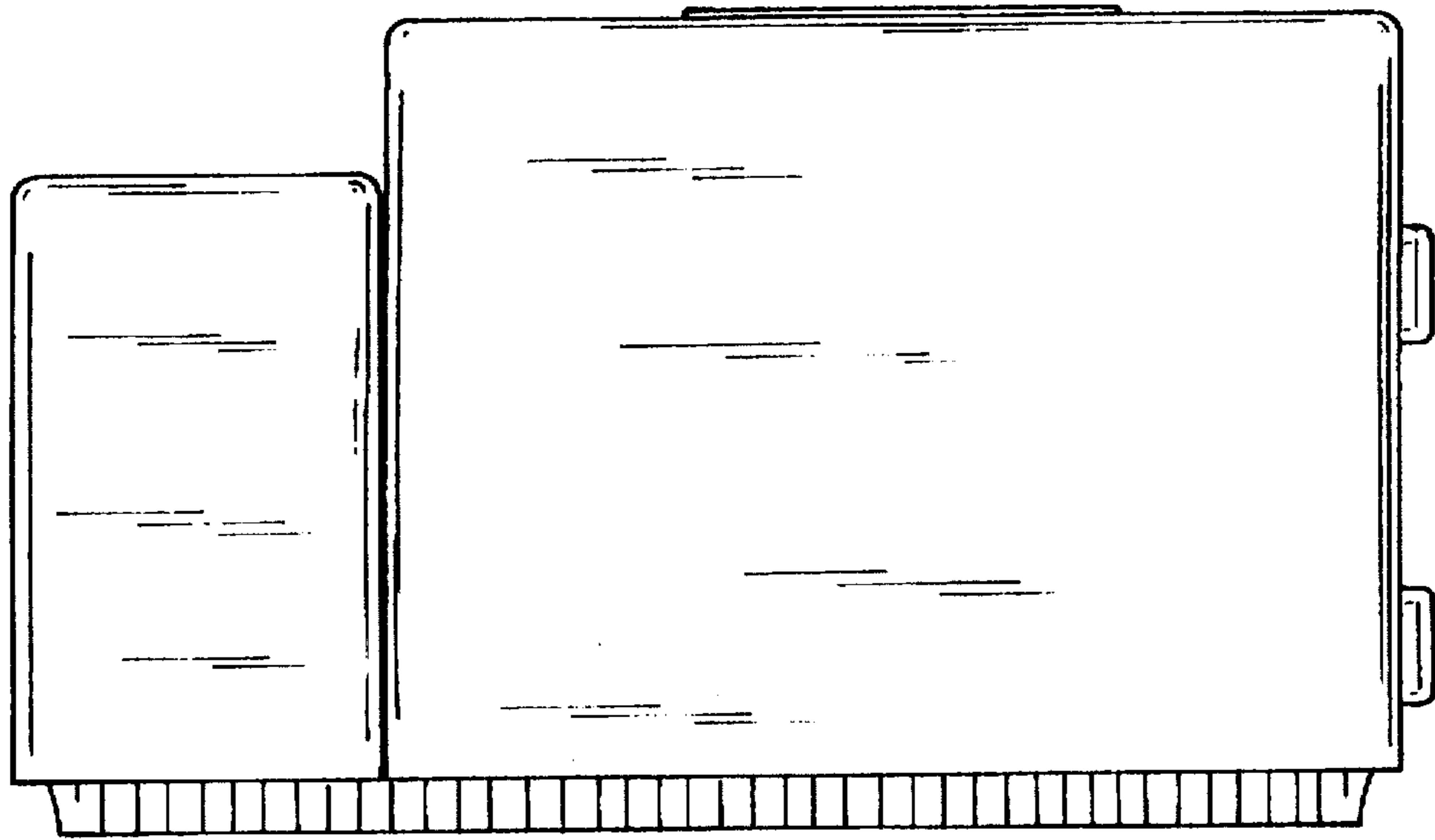


FIG. 4

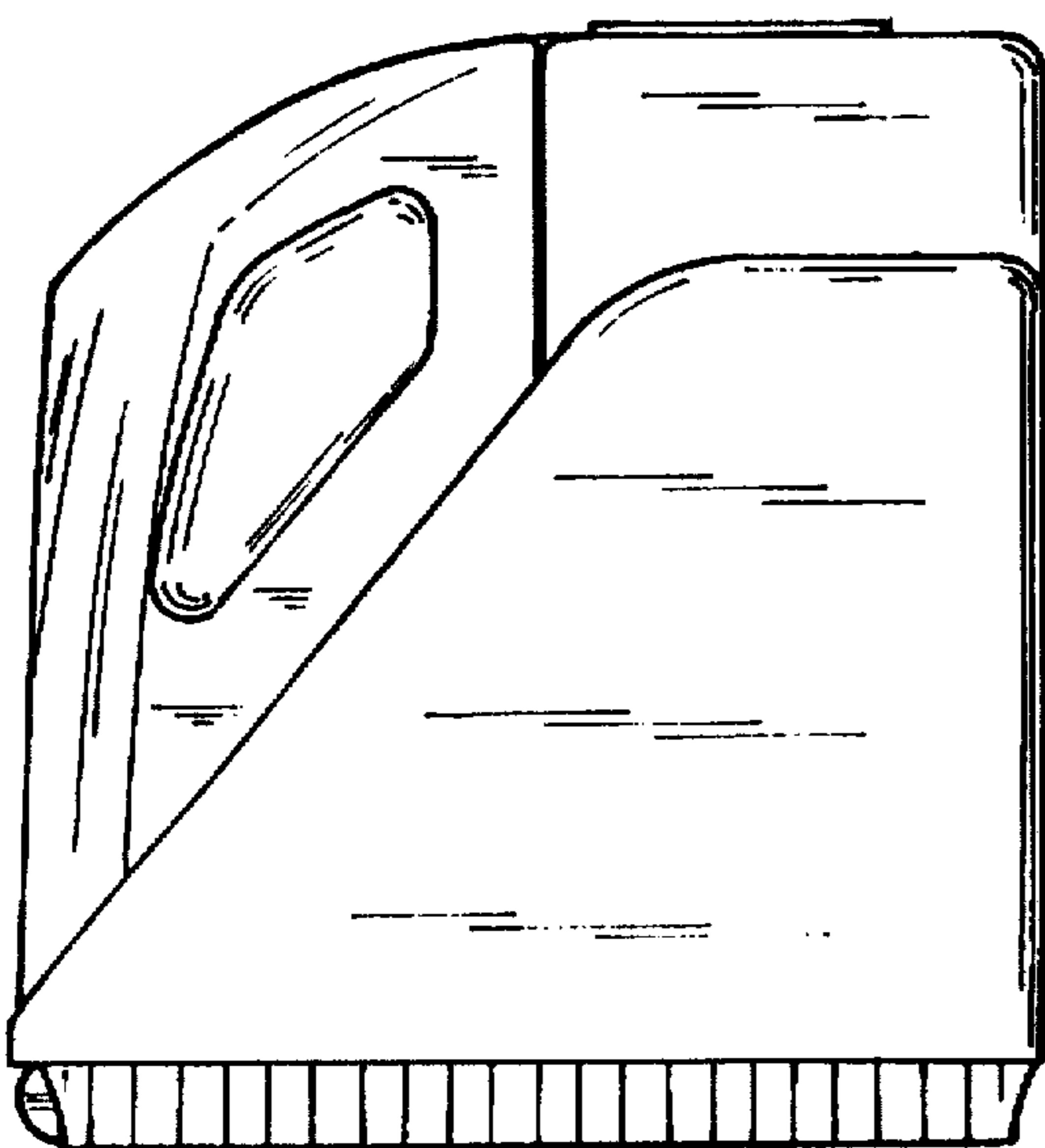


FIG. 5

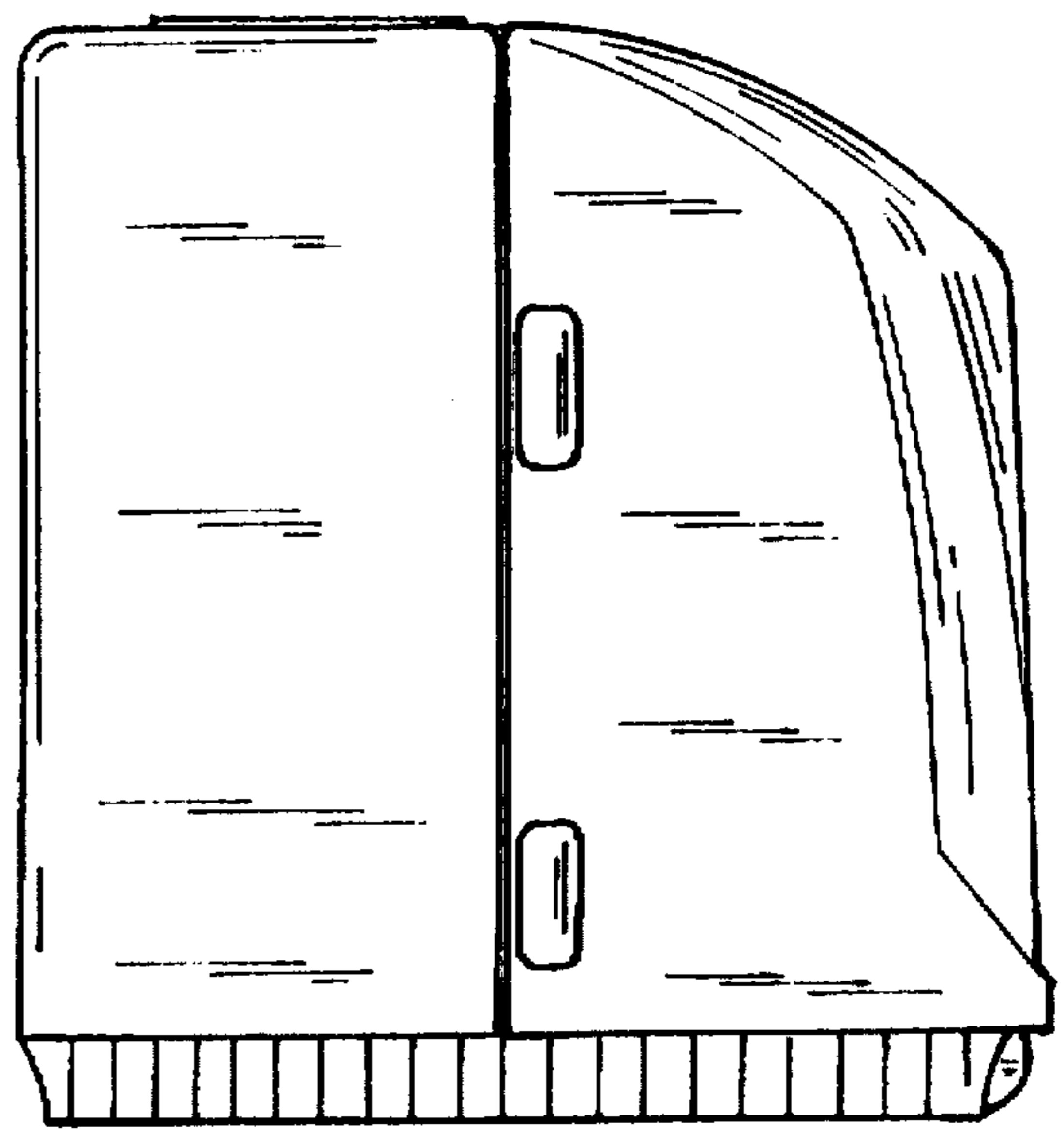


FIG. 6