



US00D394581S

United States Patent [19]
Paris

[11] **Patent Number: Des. 394,581**
[45] **Date of Patent: **May 26, 1998**

[54] **BABY BOTTLE WARMER WITH INTEGRAL NIGHT-LIGHT**

3,805,440 4/1974 Becker 446/418
3,892,945 7/1975 Lerner 219/437

[76] **Inventor: Greg Paris, 6503 Gardenia Dr., Rowlett, Tex. 75088**

Primary Examiner—Caron D. Veynar
Attorney, Agent, or Firm—Hitt Chwang & Gaines, P.C.

[**] **Term: 14 Years**

[57] **CLAIM**

[21] **Appl. No.: 59,549**

An ornamental design for a baby bottle warmer with integral night-light, as shown and described.

[22] **Filed: Sep. 12, 1996**

DESCRIPTION

[51] **LOC (6) Cl. 07-02**

[52] **U.S. Cl. D7/326**

[58] **Field of Search** D7/323, 326, 605;
222/146.5, 185.1; 126/261, 265; 99/359;
219/432, 521, 386, 437; 165/80.5, 76; 446/418

FIG. 1 is a top, right side isometric view of the baby bottle warmer with integral night light showing my new design, the broken line showing of a baby bottle is for illustrative purposes only and forms no part of the claimed design; and, FIG. 2 is an isometric view on a reduced scale. The left and rear views substantially identical to the views shown, the bottom view is flat and unornamented.

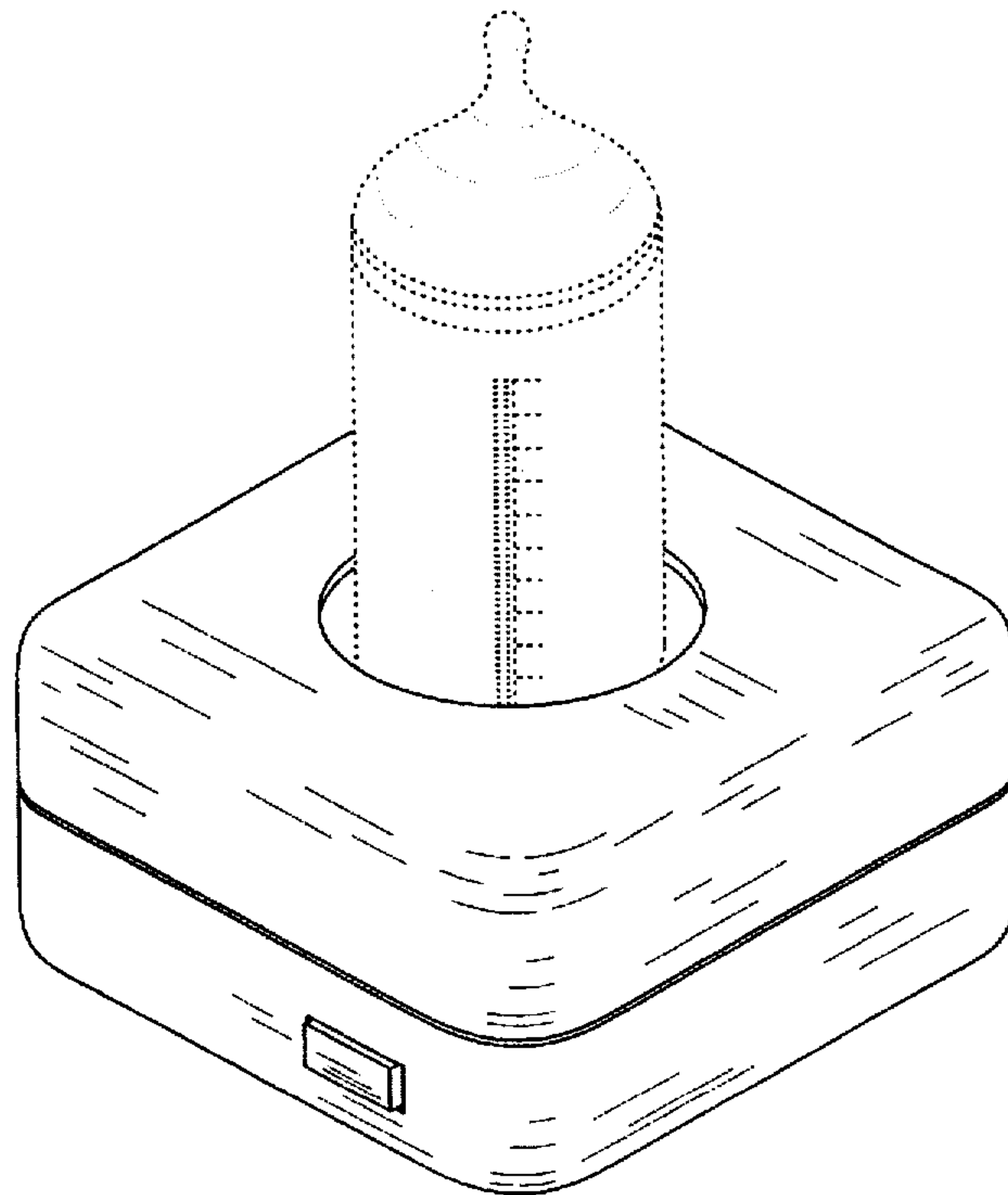
[56] **References Cited**

The isometric views of FIG. 1 and FIG. 2 illustrate the top, left front and right front views. The left and right rear views are identical to the right front view. The bottom is plain and, therefore, not illustrated.

U.S. PATENT DOCUMENTS

2,300,891 11/1942 Hanks D7/326 X
2,837,081 6/1958 Ayers D7/326 X
3,658,122 4/1972 Kalyk 165/80.5
3,804,076 4/1974 Fant et al. 126/261

1 Claim, 2 Drawing Sheets



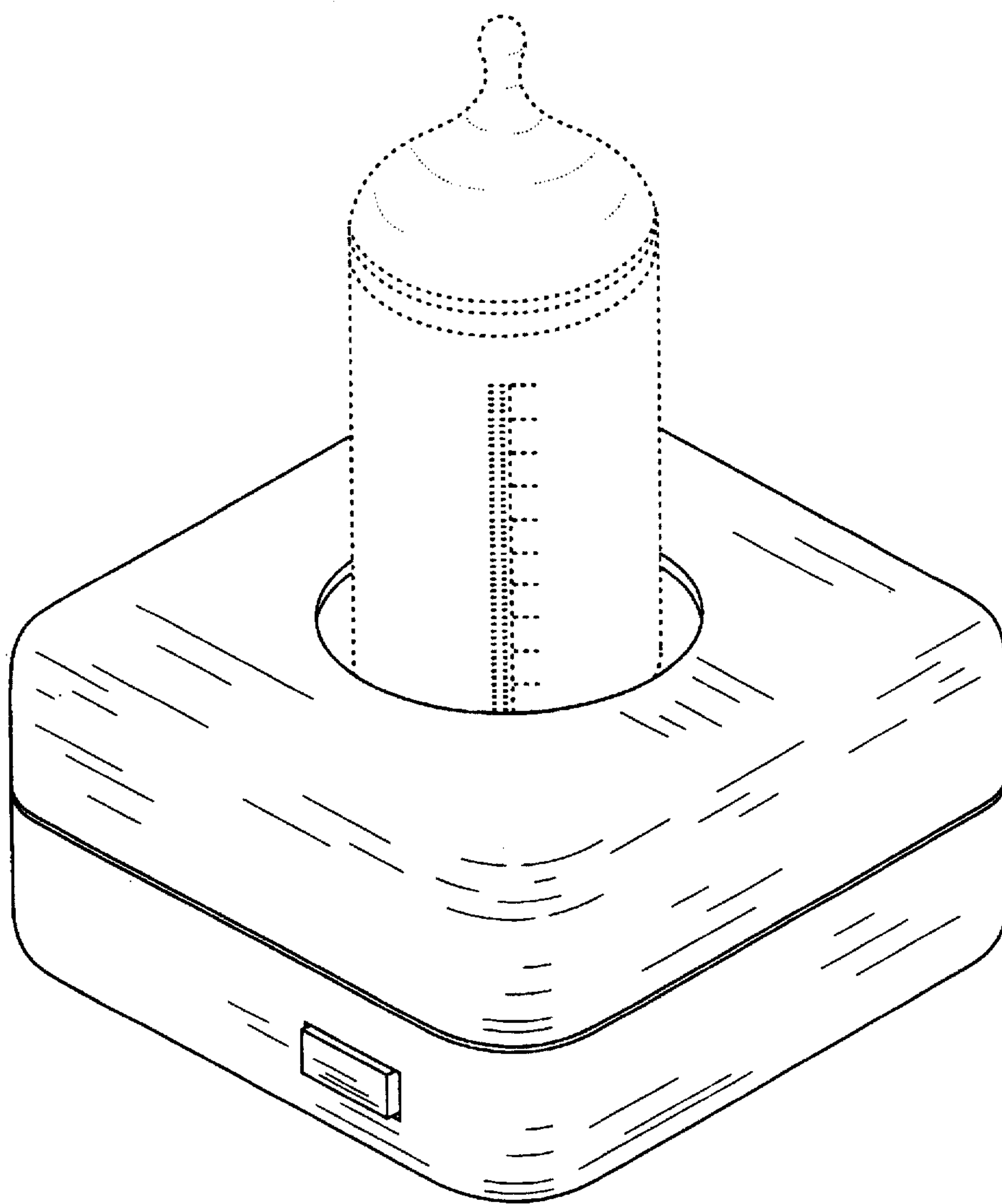


FIG. 1

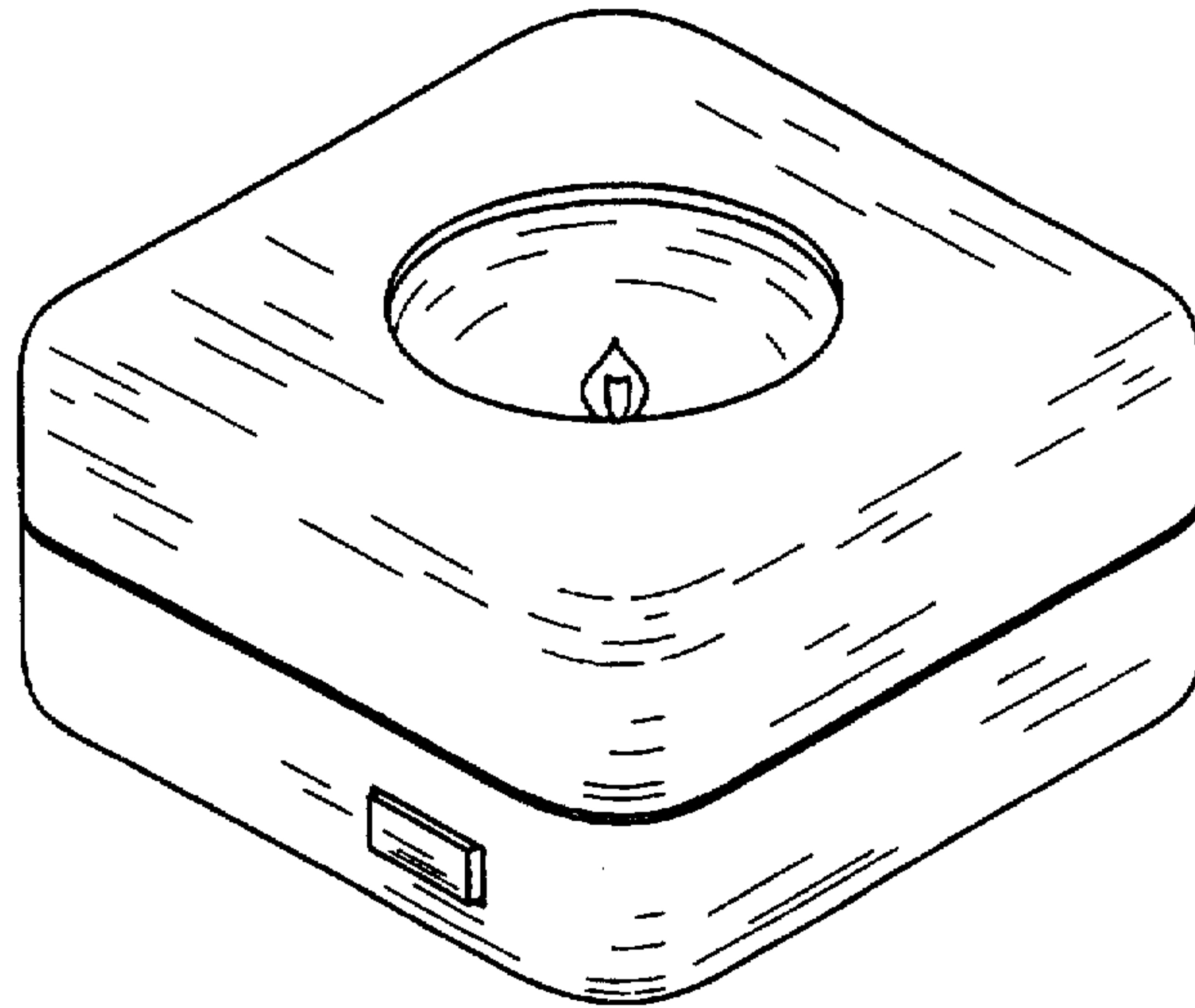


FIG. 2