



US00D394573S

# United States Patent [19]

Tobias

[11] Patent Number: Des. 394,573

[45] Date of Patent: \*\*May 26, 1998

[54] **DOUBLE ROLL TOILET PAPER HOLDER**

3,211,504 10/1965 Bump ..... 312/324.23 X

[76] Inventor: **Stewart W. Tobias**, 2215 73rd. St. E.,  
Box 303, Palmetto, Fla. 34221

*Primary Examiner*—Brian N. Vinson  
*Attorney, Agent, or Firm*—Charles J. Prescott

[\*\*] Term: **14 Years**

[57] **CLAIM**

[21] Appl. No.: **74,550**

The ornamental design for a double roll toilet paper holder, as shown and described.

[22] Filed: **Aug. 6, 1997**

**DESCRIPTION**

[51] LOC (6) Cl. .... **07-07**

[52] U.S. Cl. .... **D6/520; D6/523**

[58] Field of Search ..... D6/518-523; 312/34.1,  
312/34.8, 34.22, 34.23, 34.24

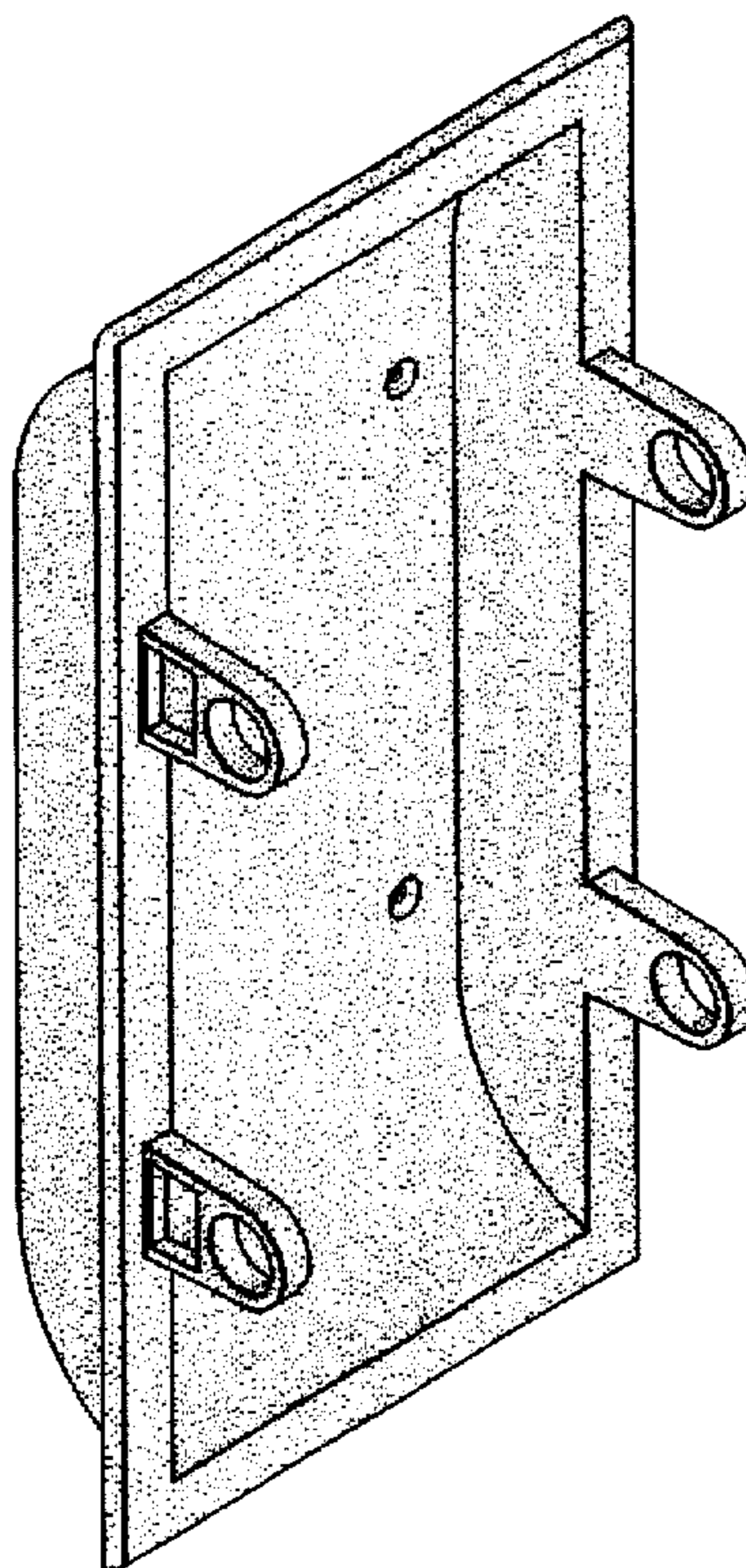
FIG. 1 is a front perspective view of a double roll toilet paper holder showing my new design;  
FIG. 2 is a rear perspective view thereof;  
FIG. 3 is an end elevation view thereof with the opposite end being a mirror image;  
FIG. 4 is a top plan view thereof;  
FIG. 5 is a side elevation view thereof with the opposite side being a mirror image; and,  
FIG. 6 is a bottom plan view thereof.

[56] **References Cited**

**U.S. PATENT DOCUMENTS**

- D. 364,059 11/1995 Merriweather, Jr. .... D6/520 X
- 1,614,112 1/1927 Fisher ..... D6/520 X
- 3,049,310 8/1962 Wolfe ..... 312/324.23 X

**1 Claim, 4 Drawing Sheets**



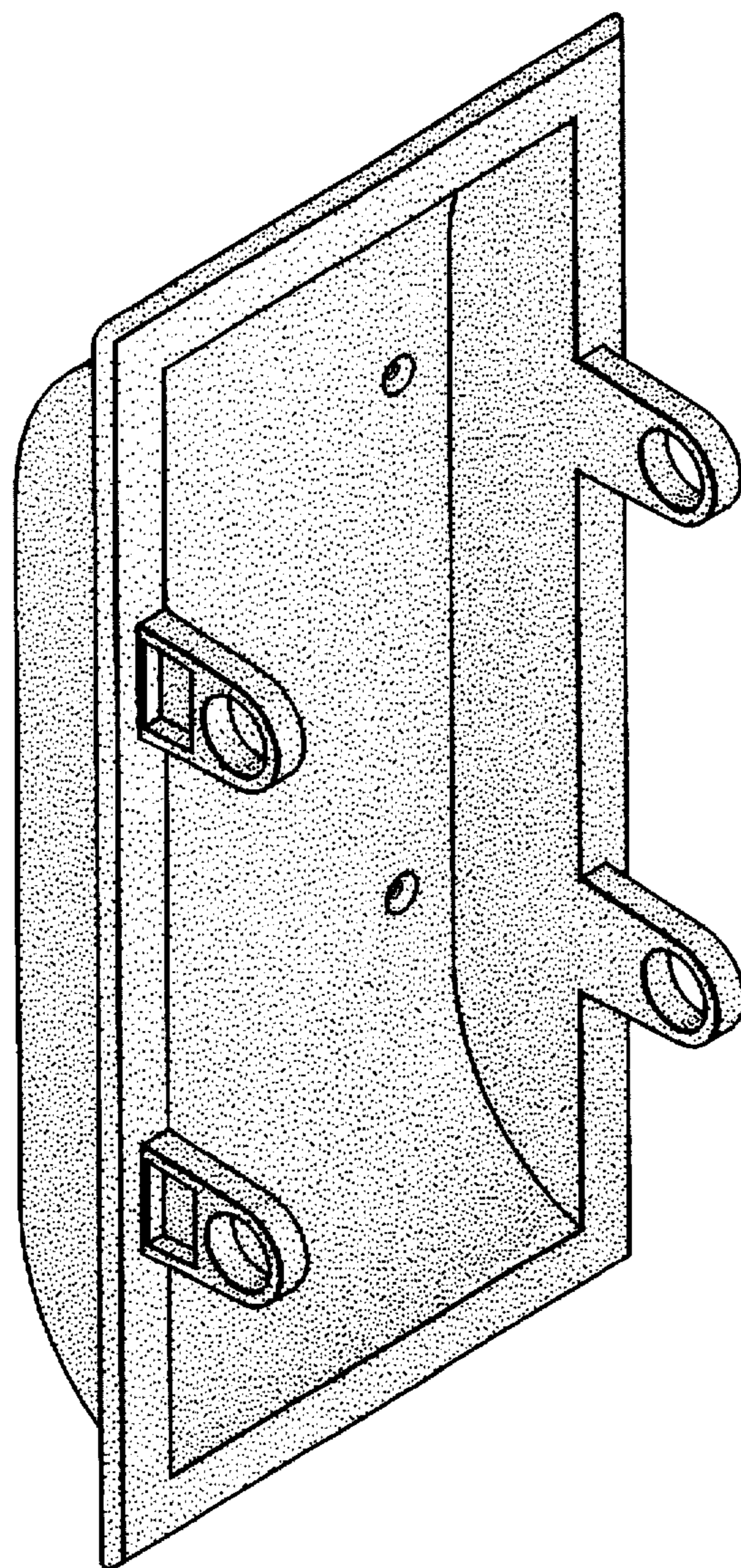


FIG. 1

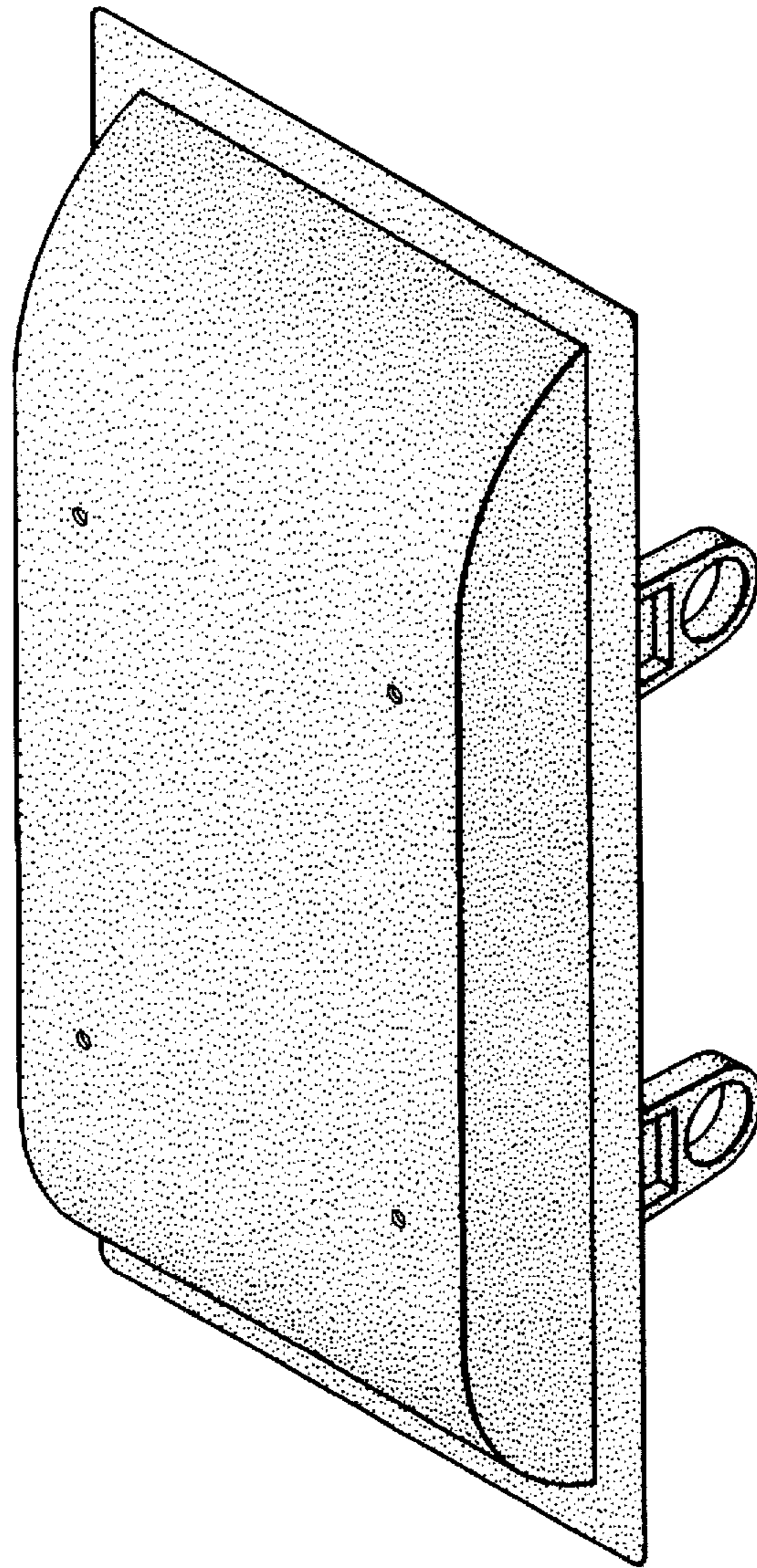


FIG. 2

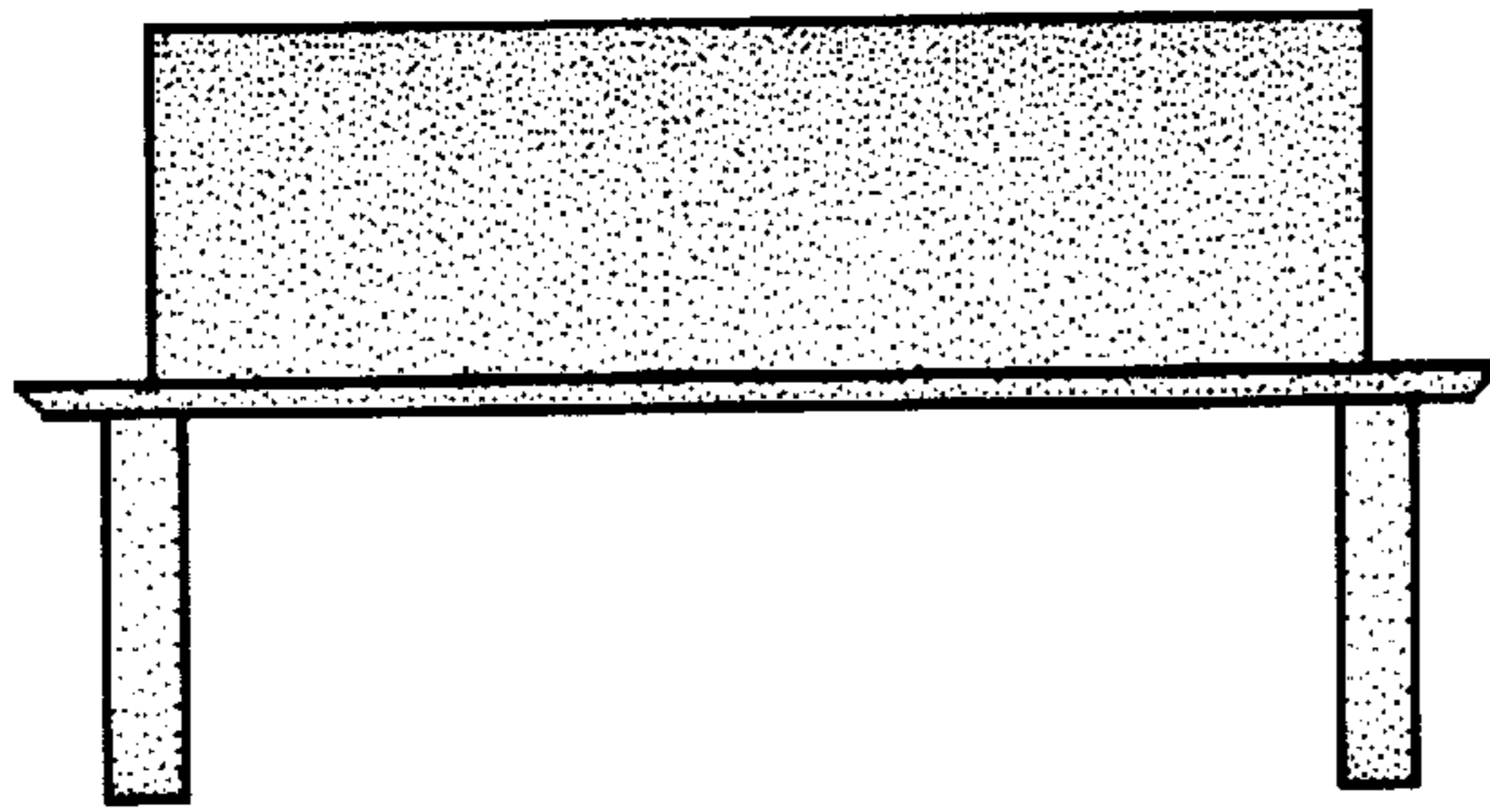


FIG. 3

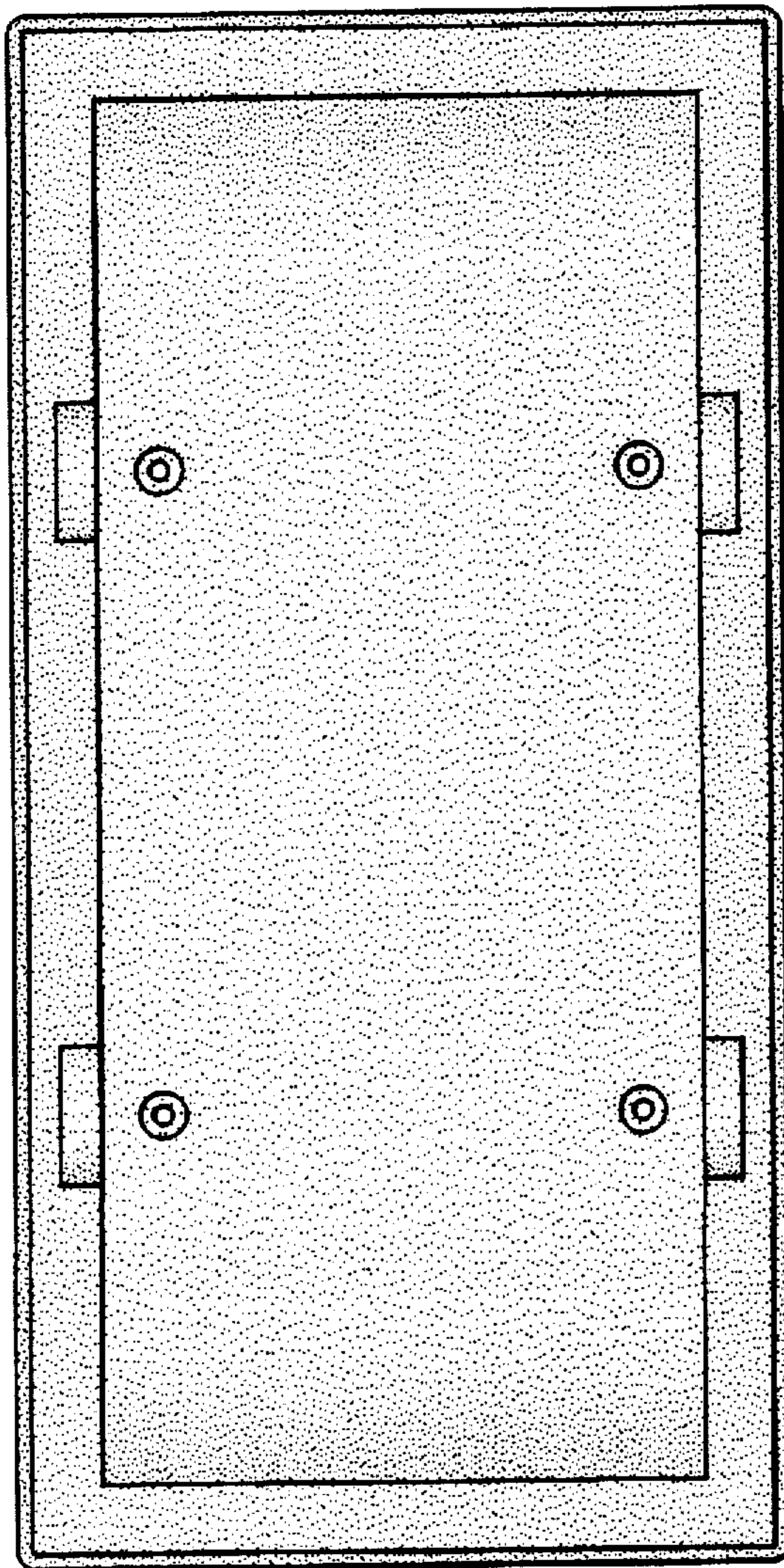


FIG. 4

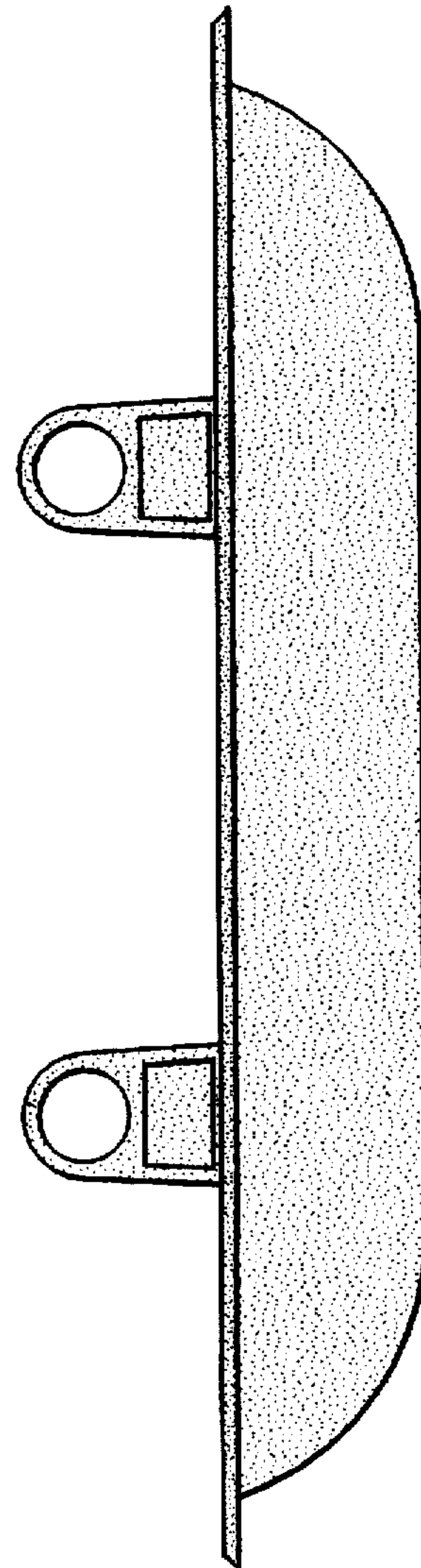
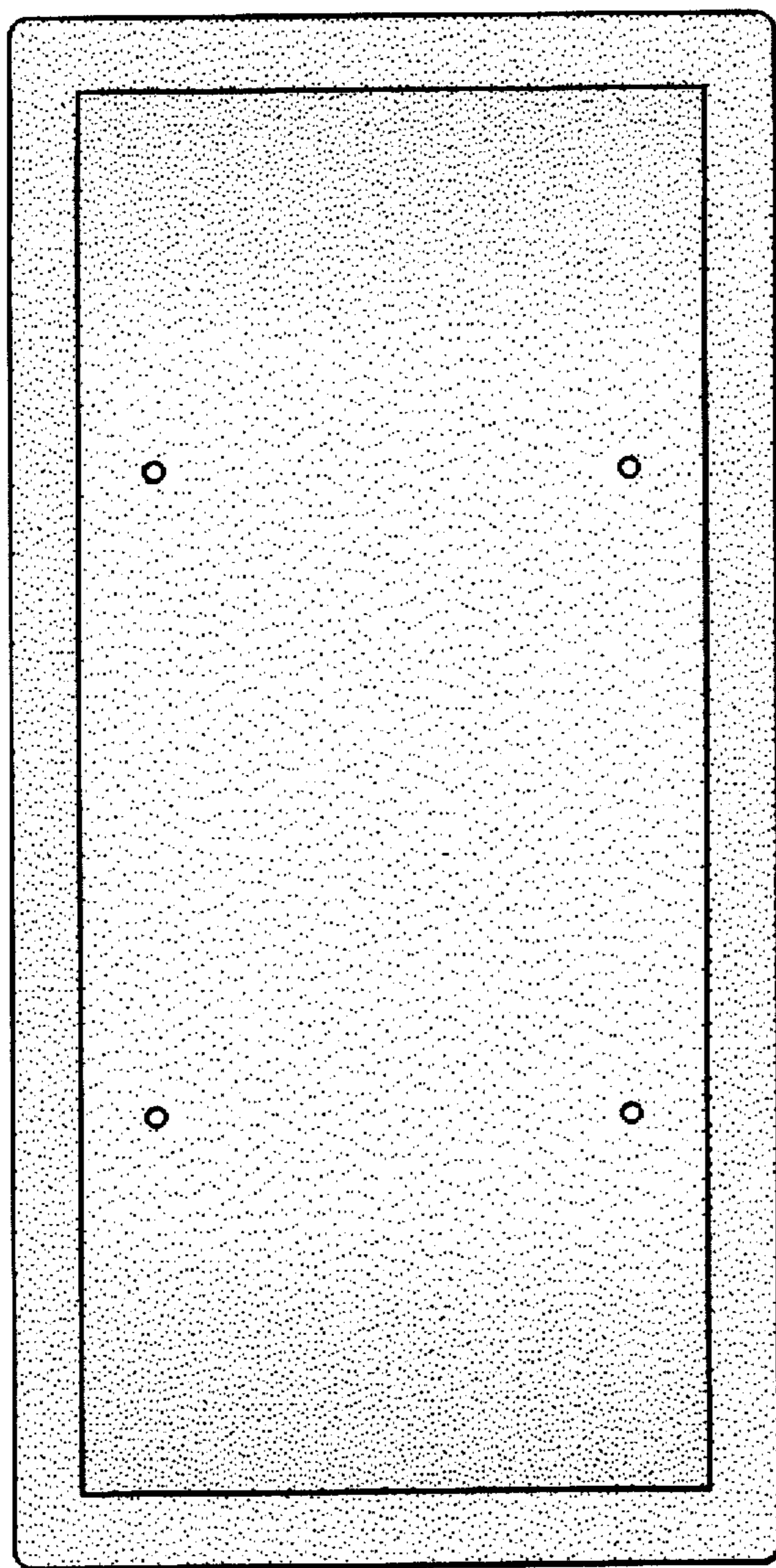


FIG. 5



*FIG. 6*