

US00D394568S

**United States Patent** [19]  
**Westerburgen**

[11] **Patent Number: Des. 394,568**  
[45] **Date of Patent: \*\*May 26, 1998**

[54] **TABLE PEDESTAL**

*Attorney, Agent, or Firm—Michael Best & Friedrich LLP*

[75] **Inventor: Josephus Petrus Maria Westerburgen,**  
Heythuysen, Netherlands

[57] **CLAIM**

[73] **Assignee: Bemis Manufacturing Company,**  
Sheboygan Falls, Wis.

The ornamental design for a table pedestal, as shown and described.

[\*\*] **Term: 14 Years**

**DESCRIPTION**

[21] **Appl. No.: 66,780**

FIG. 1 is a perspective view of a table pedestal showing my new design;

[22] **Filed: Feb. 21, 1997**

[30] **Foreign Application Priority Data**

FIG. 2 is a corner side elevational view thereof, the other three corner side elevational views being identical to that shown;

Aug. 23, 1996 [WO] WIPO ..... DMA/003434

[51] **LOC (6) Cl. .... 06-06**

FIG. 3 is a front elevational view thereof, the rear elevational view and the left and right side elevational views being identical to that shown;

[52] **U.S. Cl. .... D6/495**

[58] **Field of Search .... D6/480-489, 495-499;**  
108/150, 153, 156, 157, 161; 248/188,  
188.1, 188.7, 188.8

FIG. 4 is a view taken along line 4—4 in FIG. 3, showing the upper portion of the pedestal; and,

[56] **References Cited**

FIG. 5 is a view taken along line 5—5 in FIG. 3, showing the lower portion of the pedestal.

**U.S. PATENT DOCUMENTS**

D. 279,634 7/1985 Platner ..... D6/487  
D. 368,193 3/1996 Walters ..... D6/486

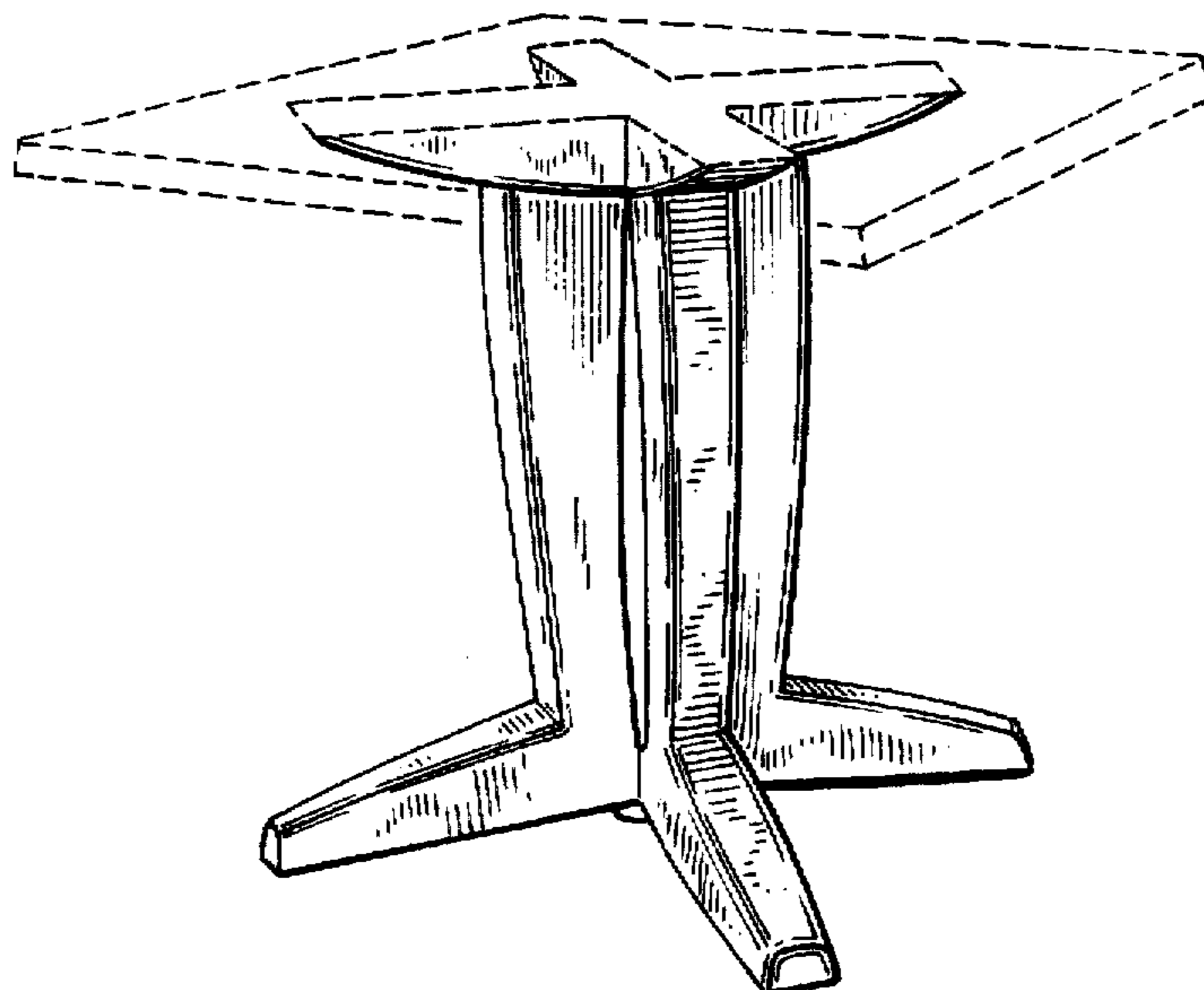
The broken line showing of the table top and top surface of the pedestal are for environmental purposes only and form no part of the claimed design.

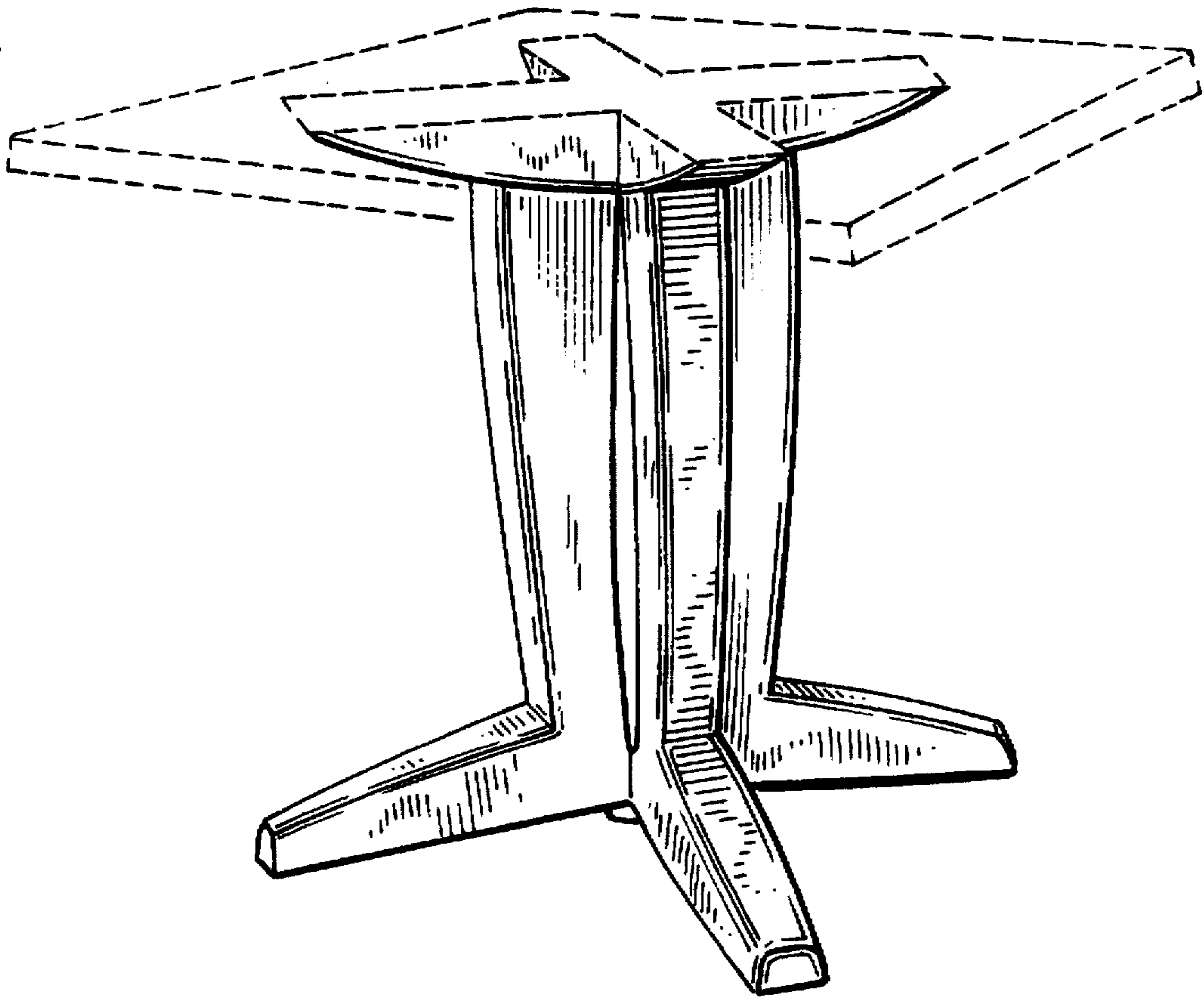
**OTHER PUBLICATIONS**

Grosfillex Contract, p. 3, pedestal table at bottom.  
Best, Spring 1993, p. 37, table a top right.

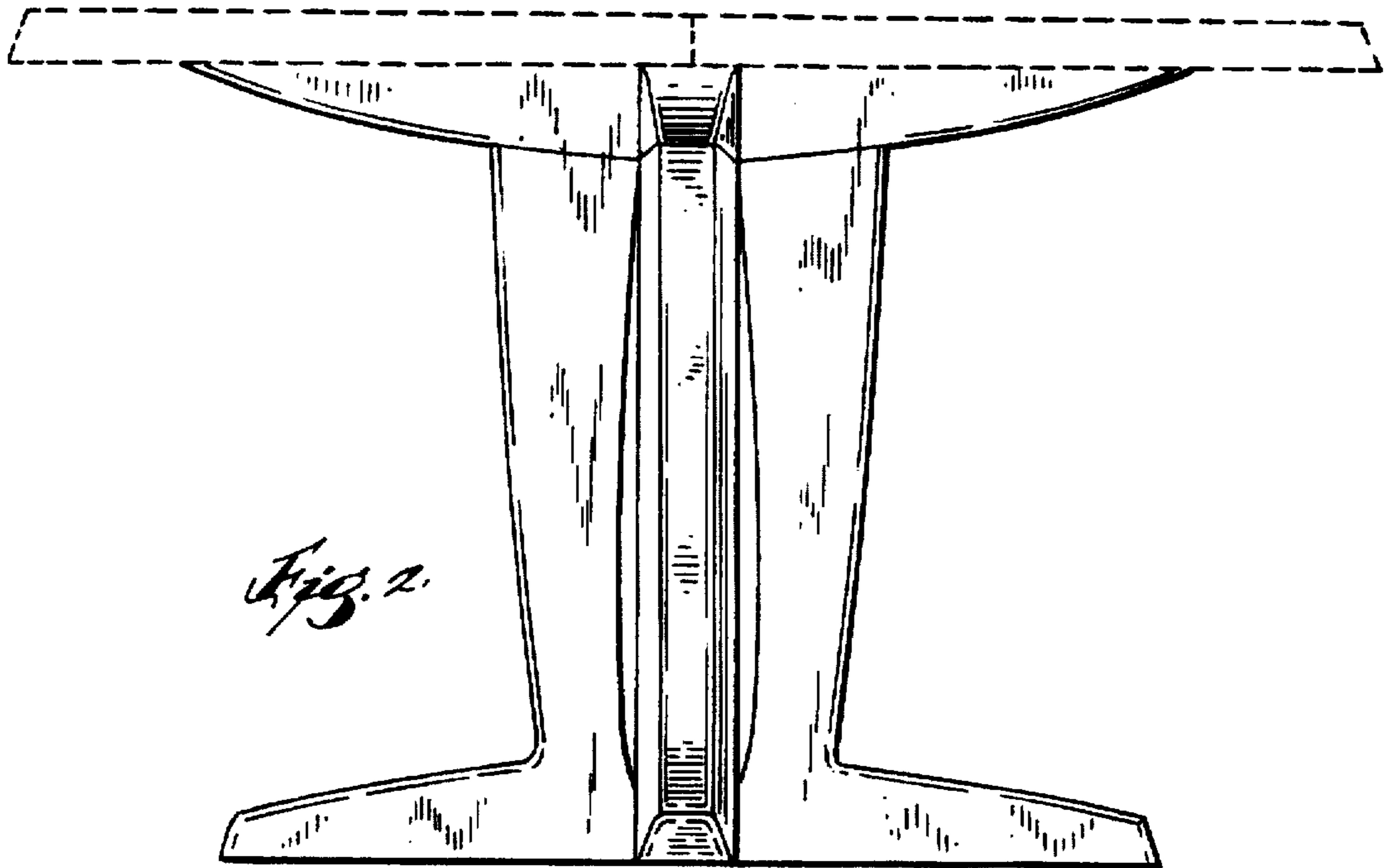
*Primary Examiner—Janice E. Seeger*

**1 Claim, 3 Drawing Sheets**

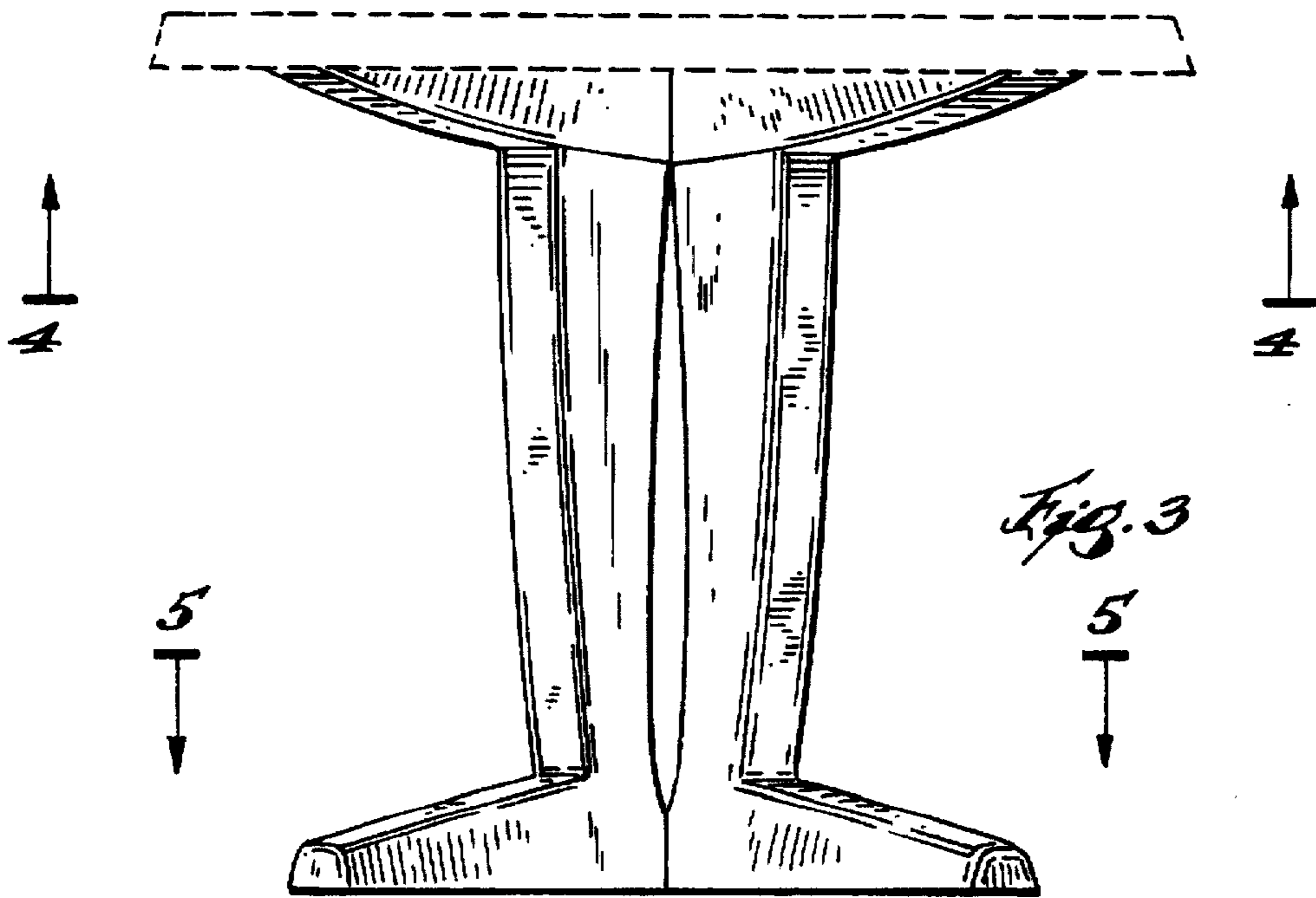




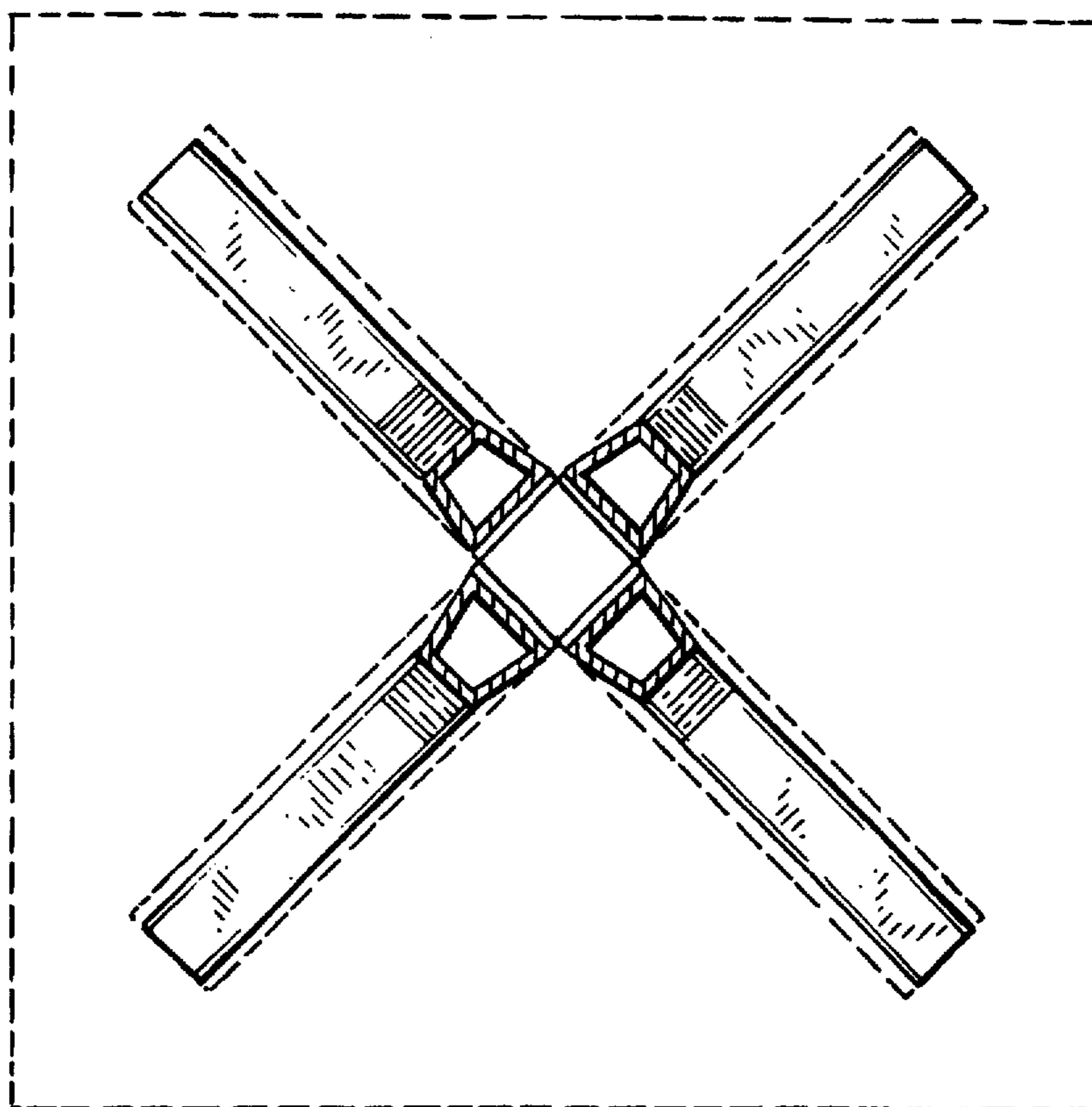
*Fig. 1*



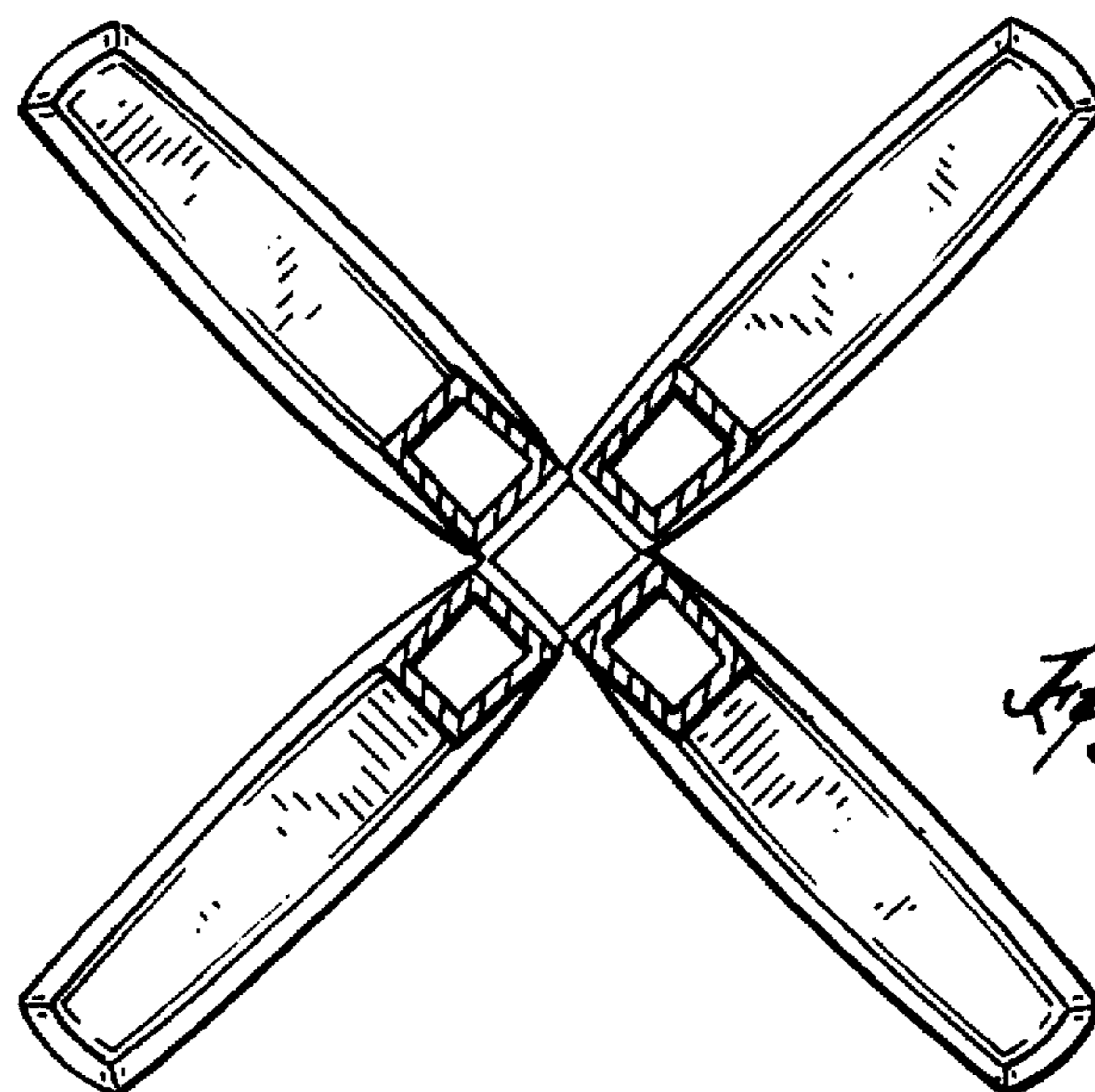
*Fig. 2.*



*Fig. 3.*



*Fig. 4*



*Fig. 5*