

US00D394566S

United States Patent [19]
Yofan

[11] **Patent Number: Des. 394,566**
[45] **Date of Patent: ***May 26, 1998**

[54] **TABLE STAND**

[75] **Inventor: Avi Yofan, Tampa, Fla.**

[73] **Assignee: Rooms To Go, Inc., Seffner, Fla.**

[*] **Notice:** The portion of the term of this patent subsequent to Jul. 30, 2010, has been disclaimed.

[**] **Term: 14 Years**

[21] **Appl. No.: 37,419**

[22] **Filed: Apr. 12, 1995**

[51] **LOC (6) Cl. 06-03**

[52] **U.S. Cl. D6/497; D6/451**

[58] **Field of Search D6/480-489, 495,
D6/497, 452, 453; D21/162, 157; 108/150,
153, 161**

[56] **References Cited**

U.S. PATENT DOCUMENTS

D. 298,497 11/1988 Bigelow D6/495
D. 304,396 11/1989 Pitchersky et al. D6/451
D. 305,390 1/1990 Pitchersky et al. D6/451

D. 314,479 2/1991 Kubryk D6/486
D. 341,867 11/1993 Muiccio D21/157
D. 346,080 4/1994 Weis D6/452

OTHER PUBLICATIONS

Progressive, c1991, #2388-41, table at bottom left.

Primary Examiner—Janice E. Seeger
Attorney, Agent, or Firm—Rudnick & Wolfe

[57] **CLAIM**

The ornamental design for a table stand, as shown and described.

DESCRIPTION

FIG. 1 is a perspective view of a table stand, showing my new design; the broken lines are for environmental purposes only and form no part of the claimed design;
FIG. 2 is a front elevational view;
FIG. 3 is a right side elevational view;
FIG. 4 is a rear elevational view;
FIG. 5 is a left side elevational view;
FIG. 6 is a top plan view; and,
FIG. 7 is a bottom plan view thereof.

1 Claim, 4 Drawing Sheets

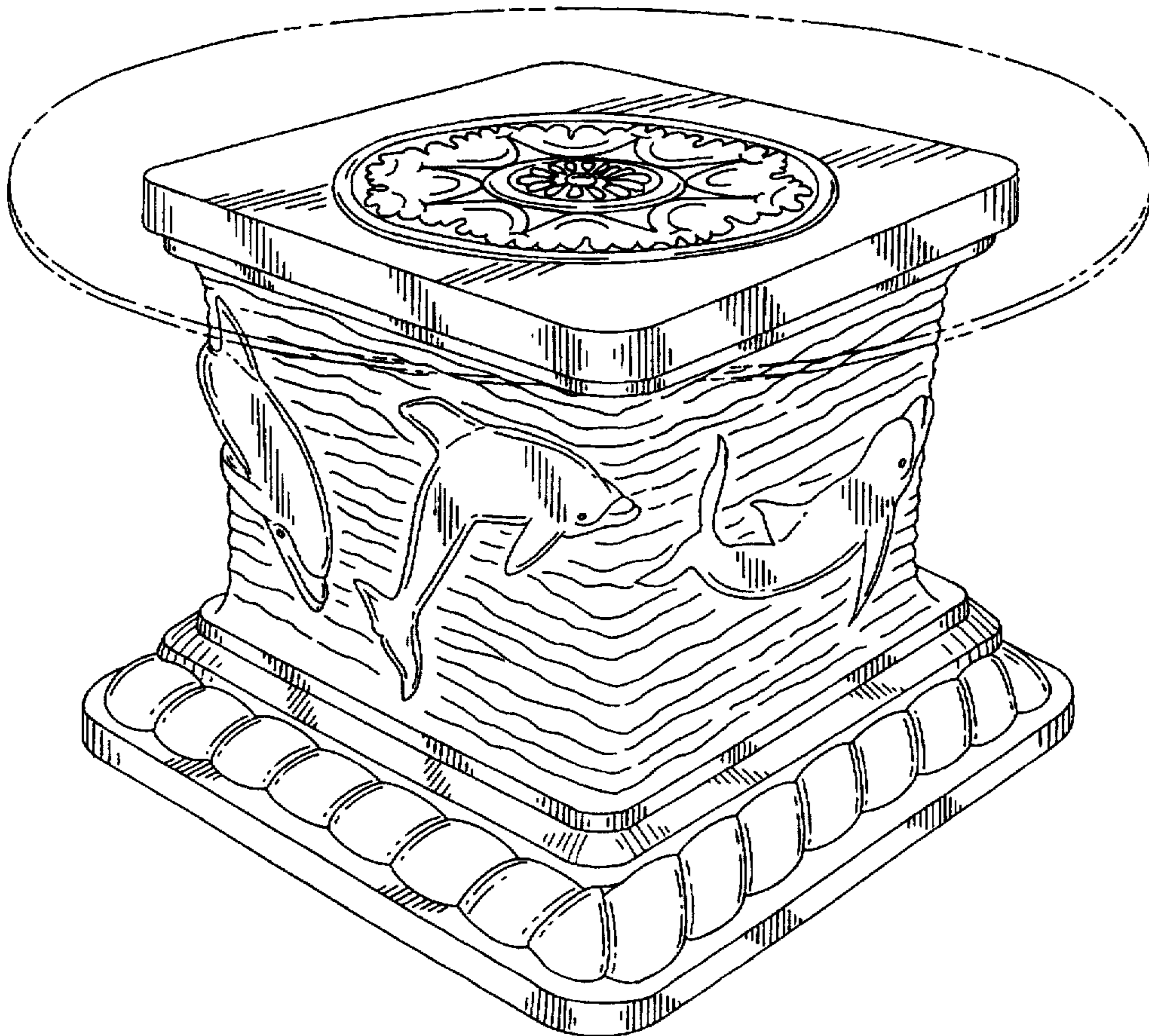


FIG. 1

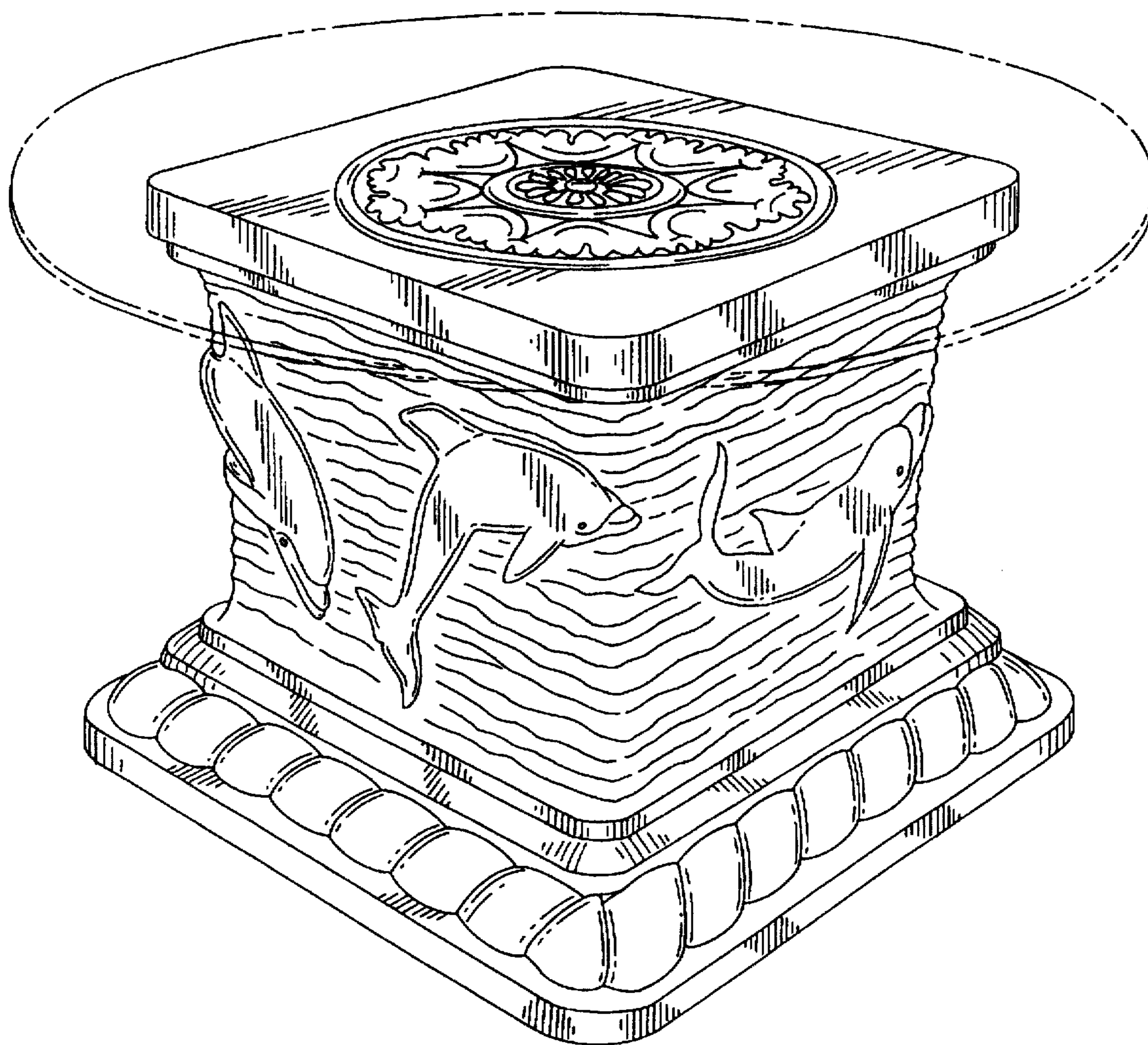


FIG. 2

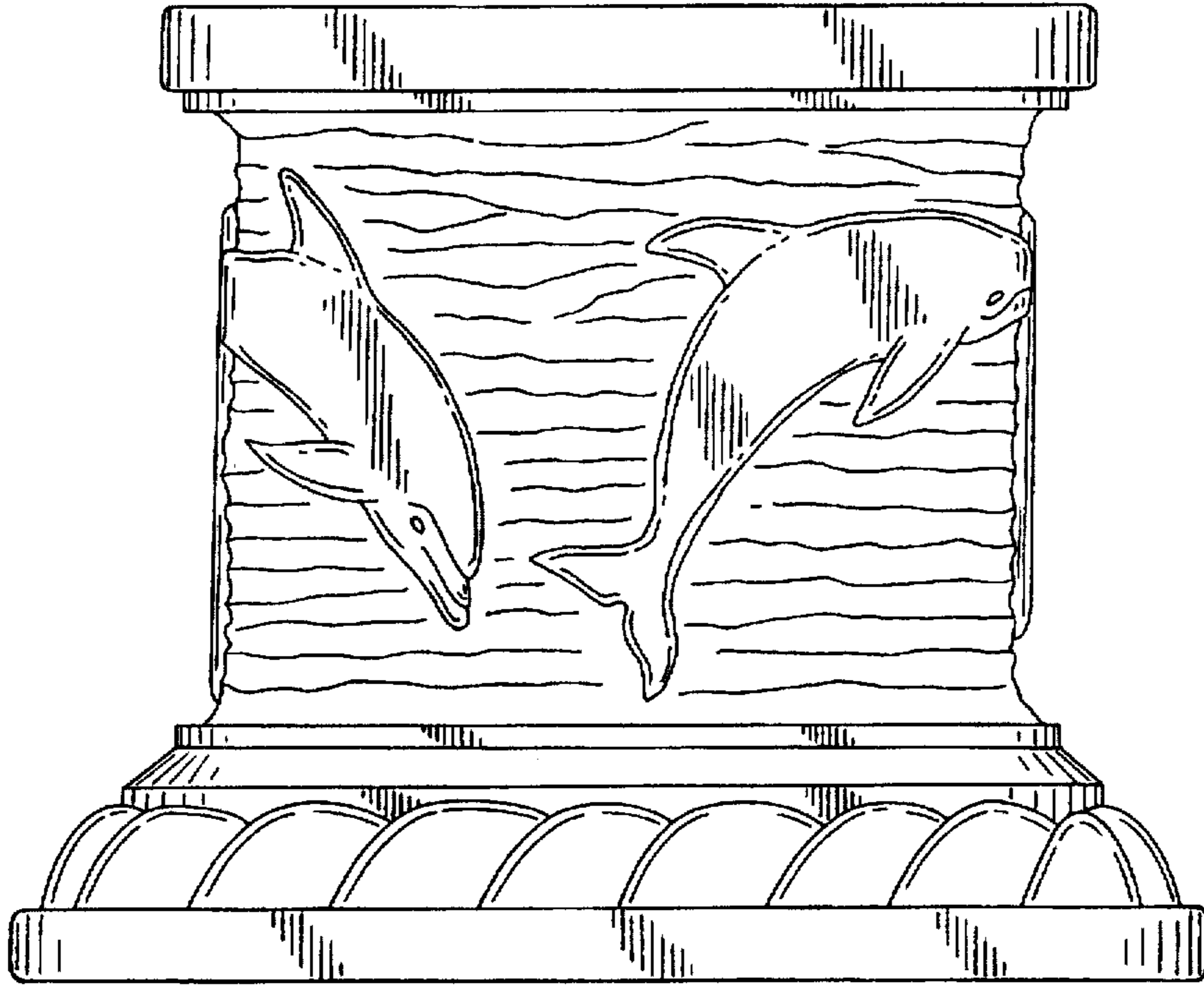


FIG. 3

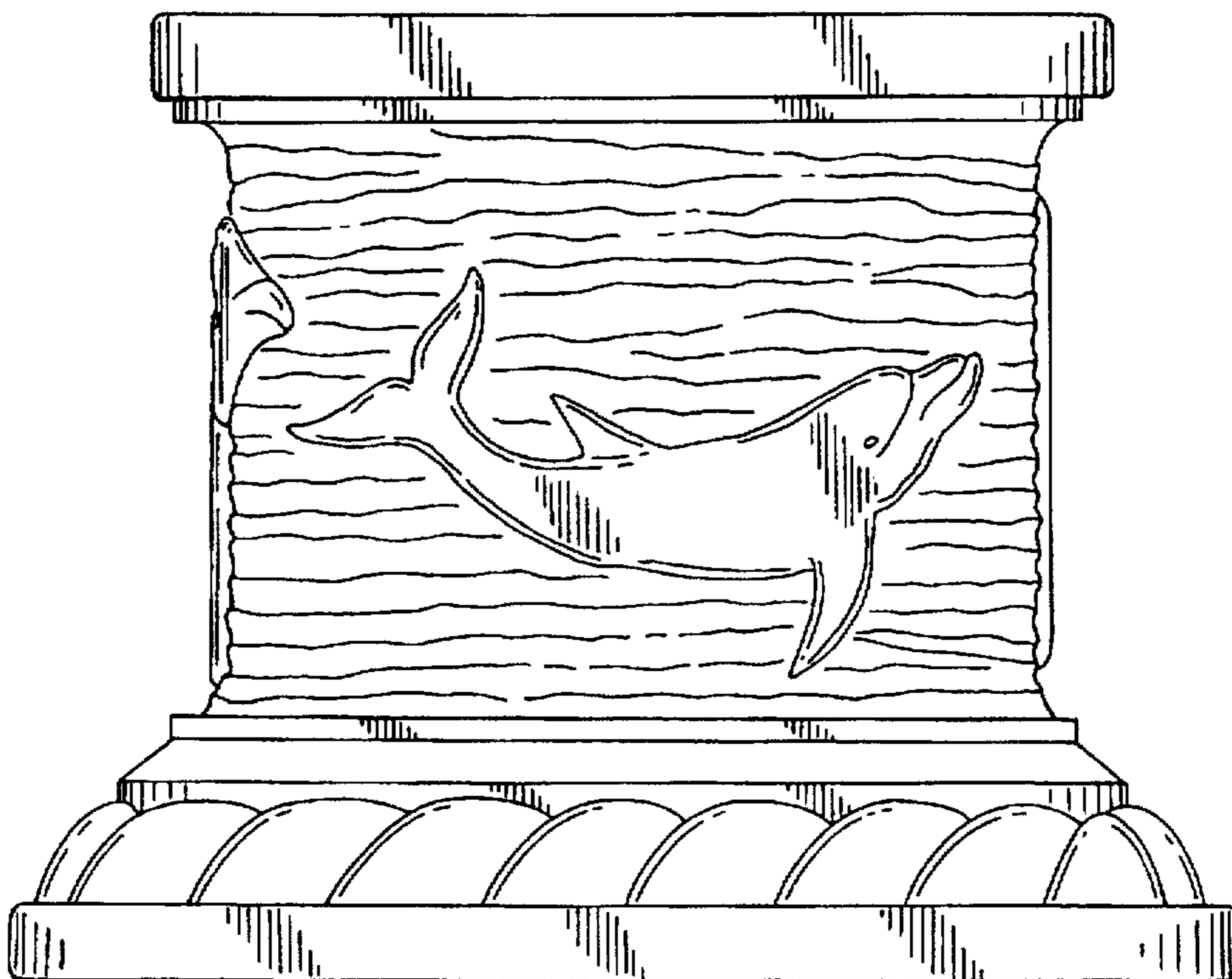


FIG. 4

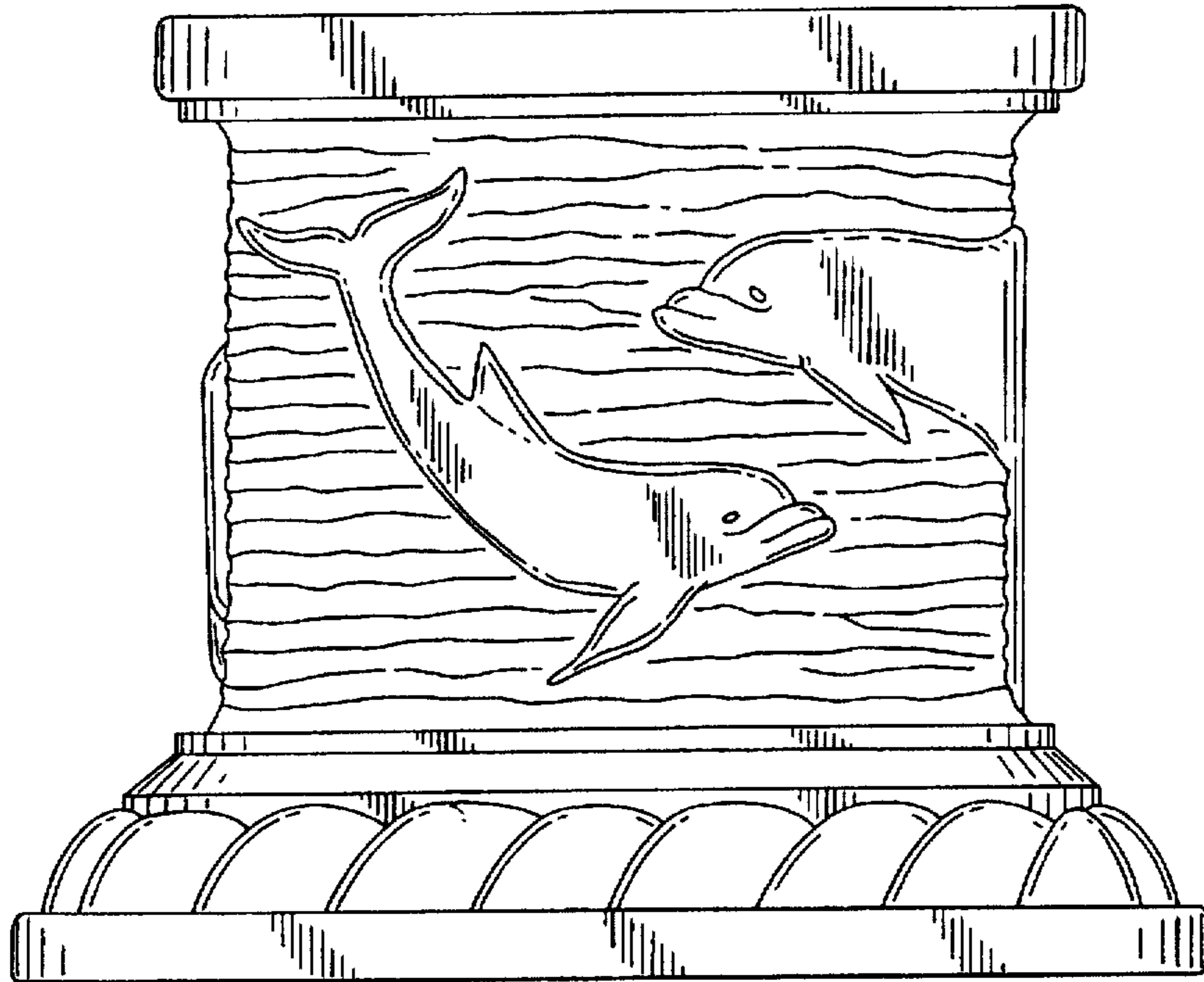


FIG. 5

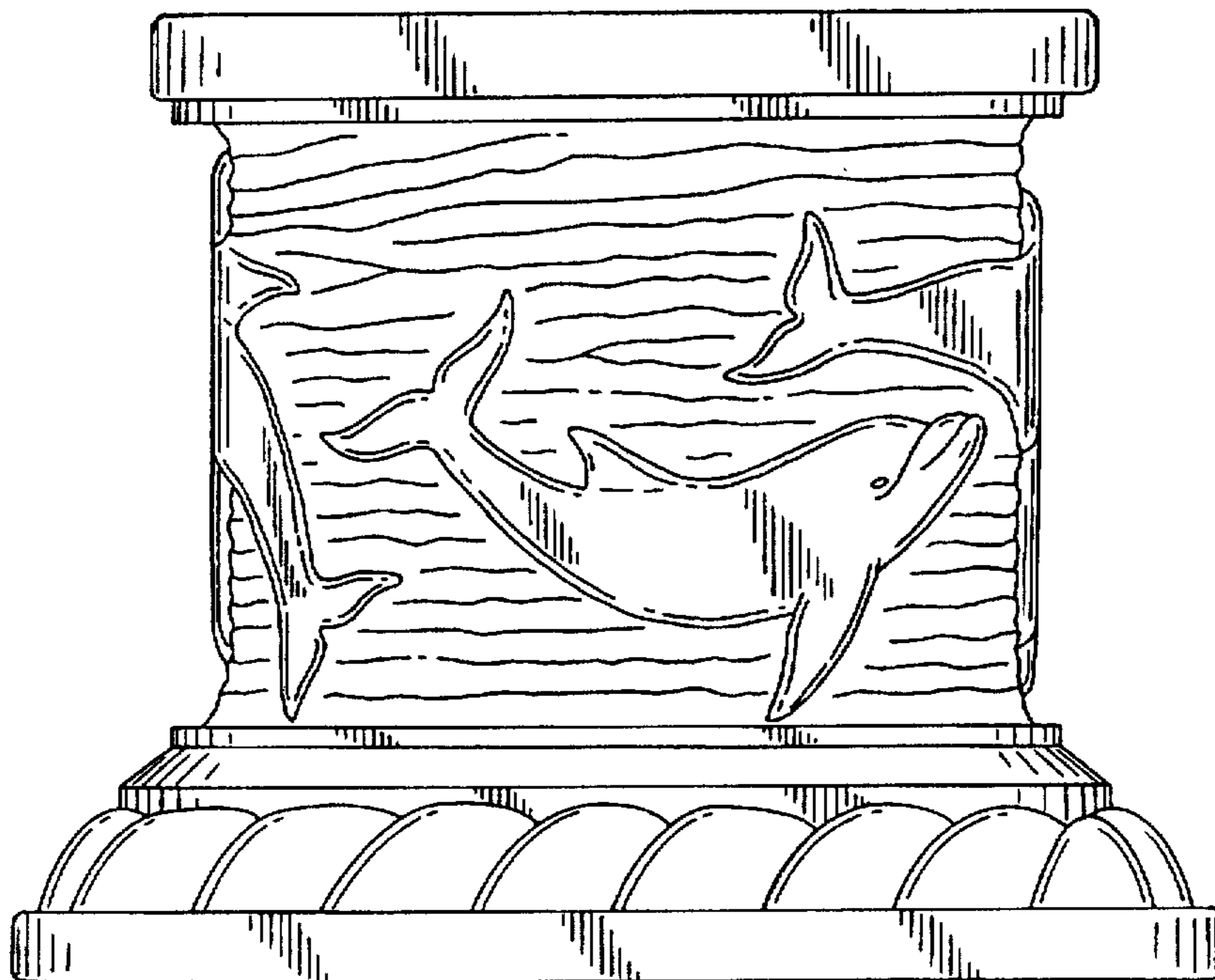


FIG. 7

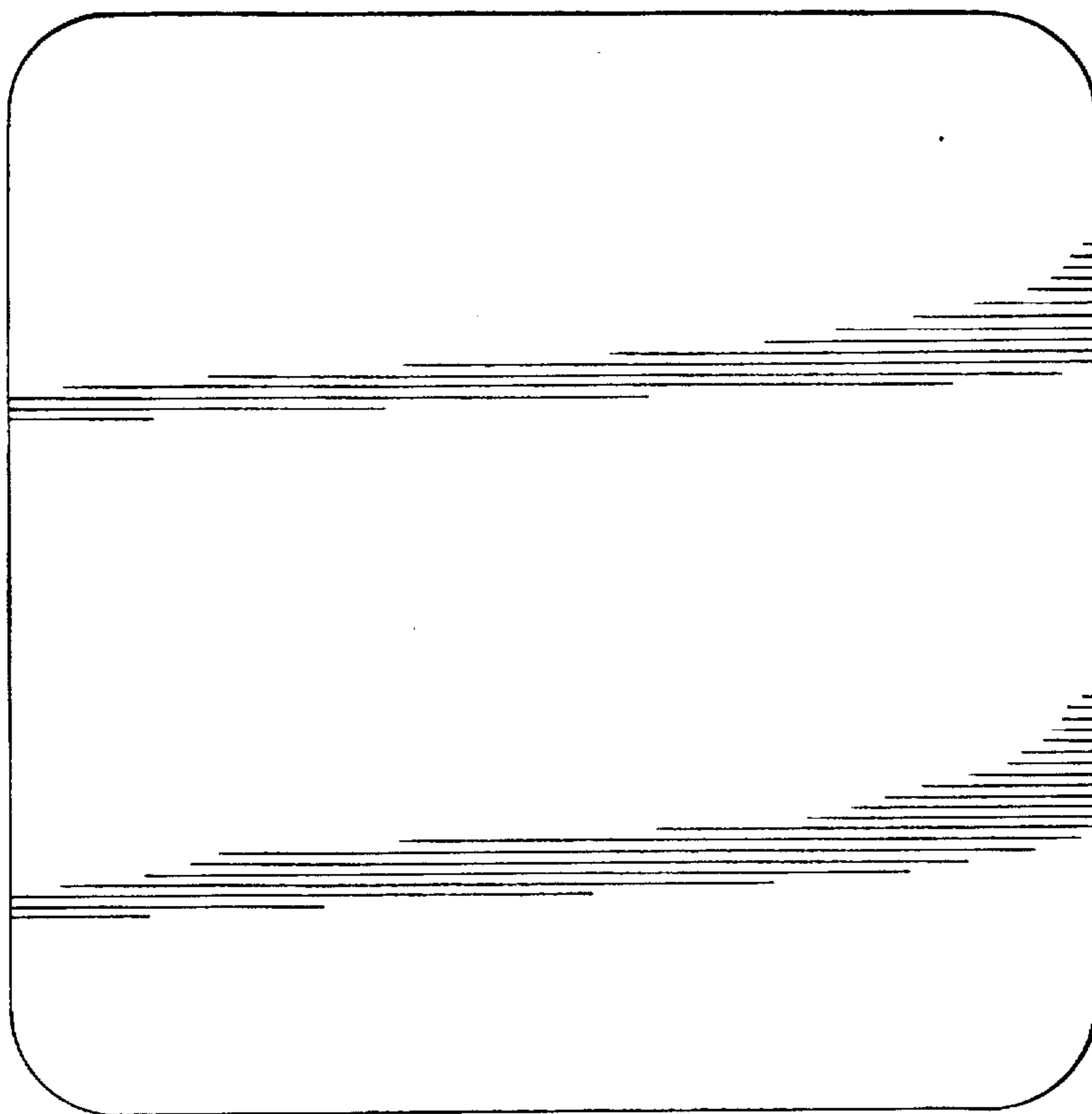


FIG. 6

