

US00D394561S

**United States Patent** [19]  
**Oltmans**

[11] **Patent Number: Des. 394,561**  
[45] **Date of Patent: \*\*May 26, 1998**

[54] **SOFA**

[76] **Inventor: Todd W. Oltmans, 12423 Binney St., Omaha, Nebr. 68164**

[\*\*] **Term: 14 Years**

[21] **Appl. No.: 65,553**

[22] **Filed: Jan. 29, 1997**

[51] **LOC (6) Cl. .... 06-01**

[52] **U.S. Cl. .... D6/381**

[58] **Field of Search ..... D6/334, 335, 371, D6/373, 374, 380, 381, 500, 501, 502; 297/232**

[56] **References Cited**

**U.S. PATENT DOCUMENTS**

D. 80,600	3/1930	Bernhard	.....	D6/381
D. 199,789	12/1964	Pearsall	.....	D6/381
D. 261,451	10/1981	Albert	.....	D6/380
D. 342,836	1/1994	Bennett	.....	D6/334

**OTHER PUBLICATIONS**

The New York Times Magazine, p. 47, 1981 sofa by Zanini, Oct. 15, 1989.

*Primary Examiner*—Gary D. Watson  
*Attorney, Agent, or Firm*—Zarley, McKee, Thomte Voorhees & Sease; Mark D. Frederiksen

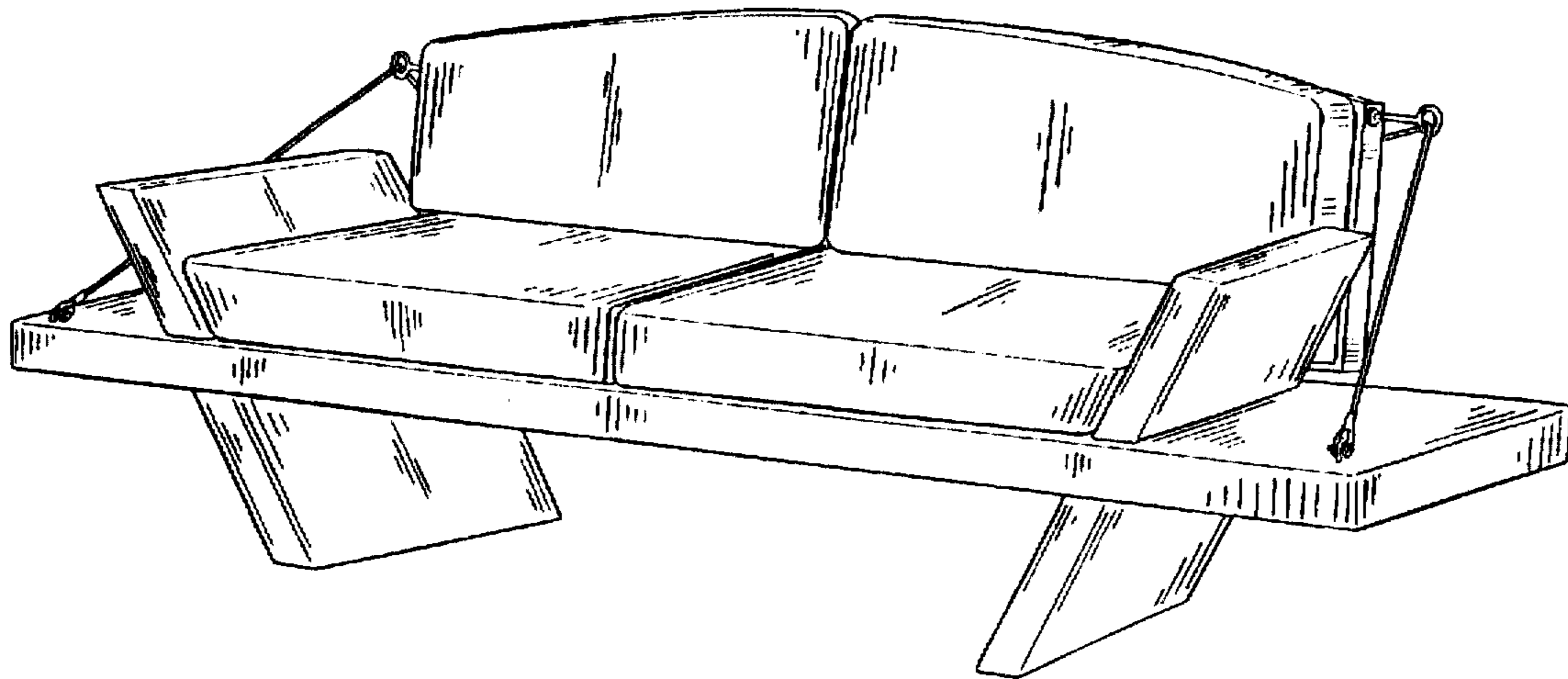
[57] **CLAIM**

The ornamental design for a sofa, as shown and described.

**DESCRIPTION**

FIG. 1 is a perspective view of the sofa showing my new design;  
FIG. 2 is a top plan view thereof;  
FIG. 3 is a front elevational view thereof;  
FIG. 4 is an elevational view taken from the left side of FIG. 3, the right elevational view being a mirror image thereof;  
FIG. 5 is a rear elevational view thereof; and,  
FIG. 6 is a bottom plan view thereof.

**1 Claim, 2 Drawing Sheets**



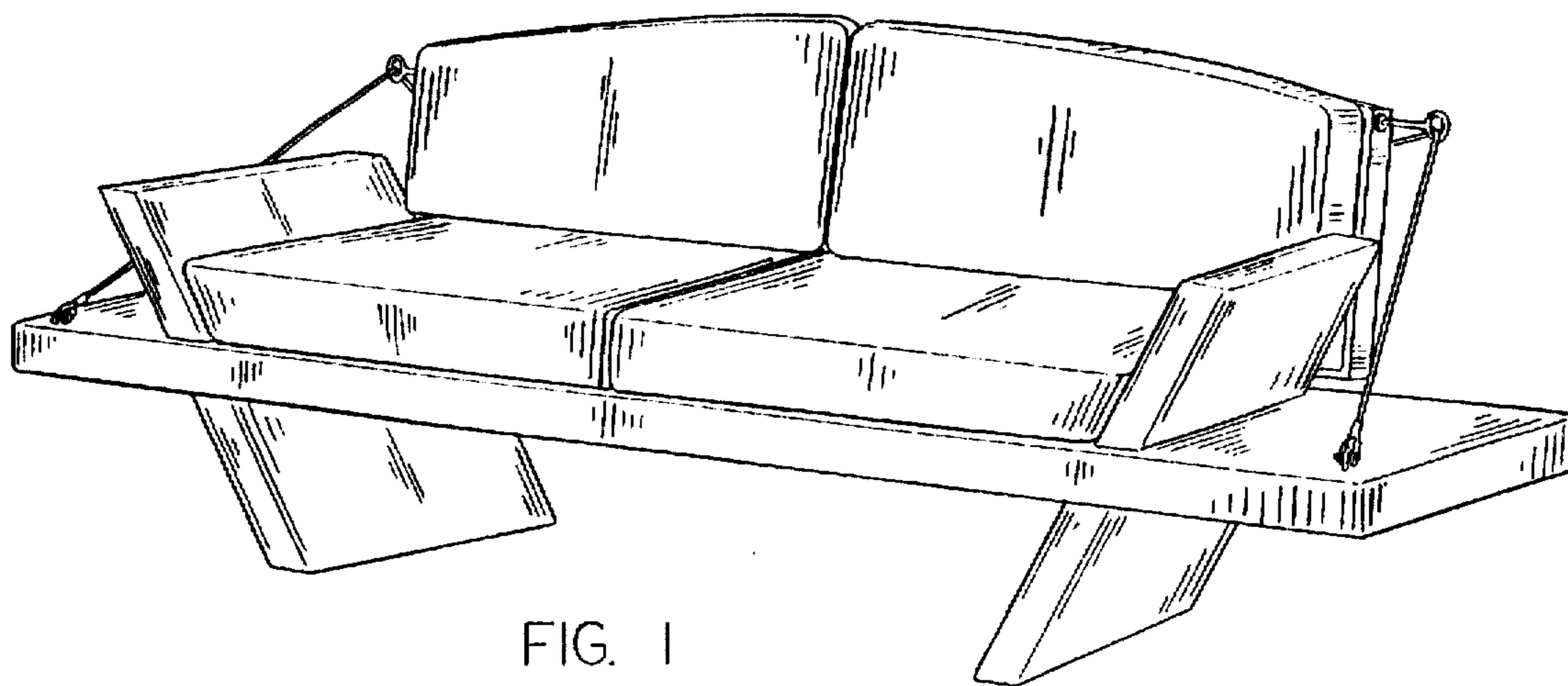


FIG. 1

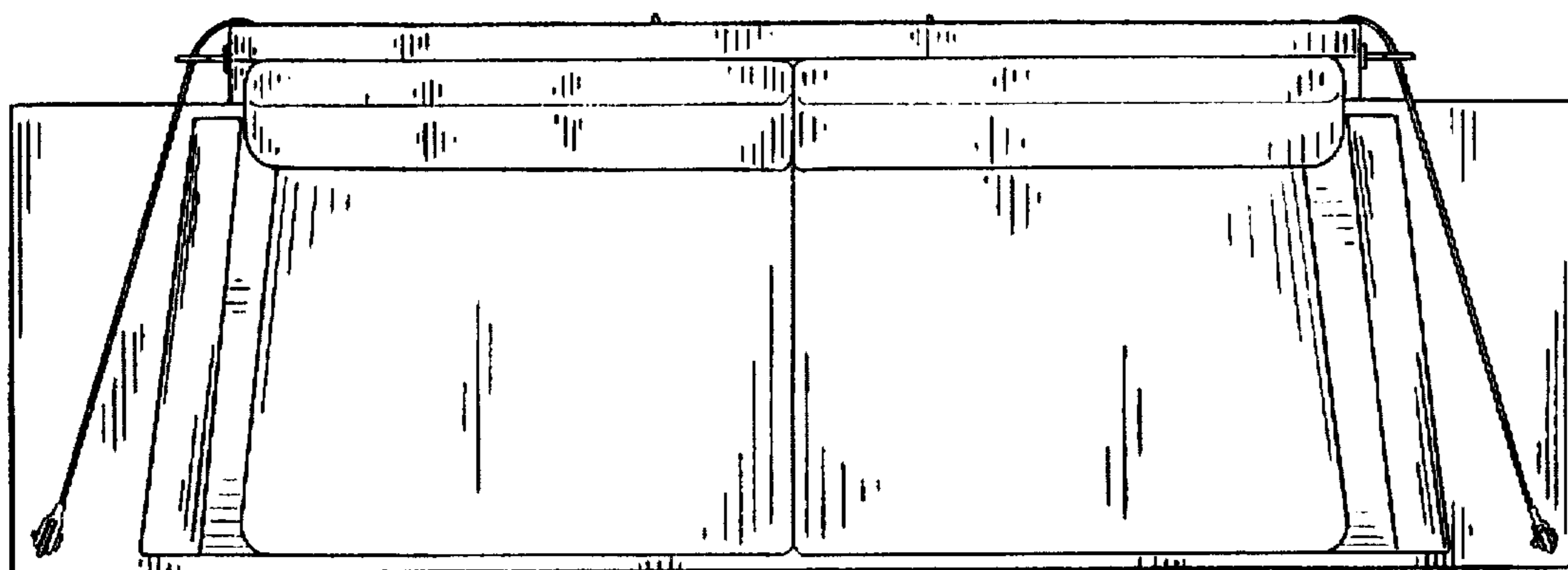


FIG. 2

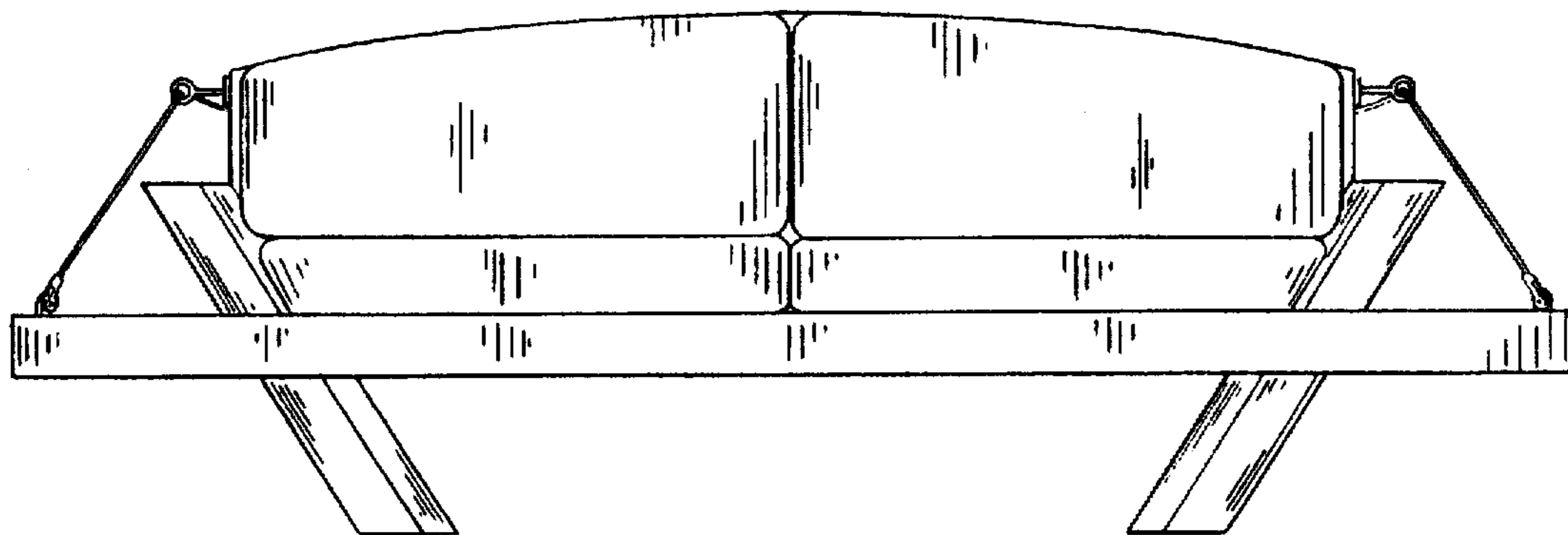


FIG. 3

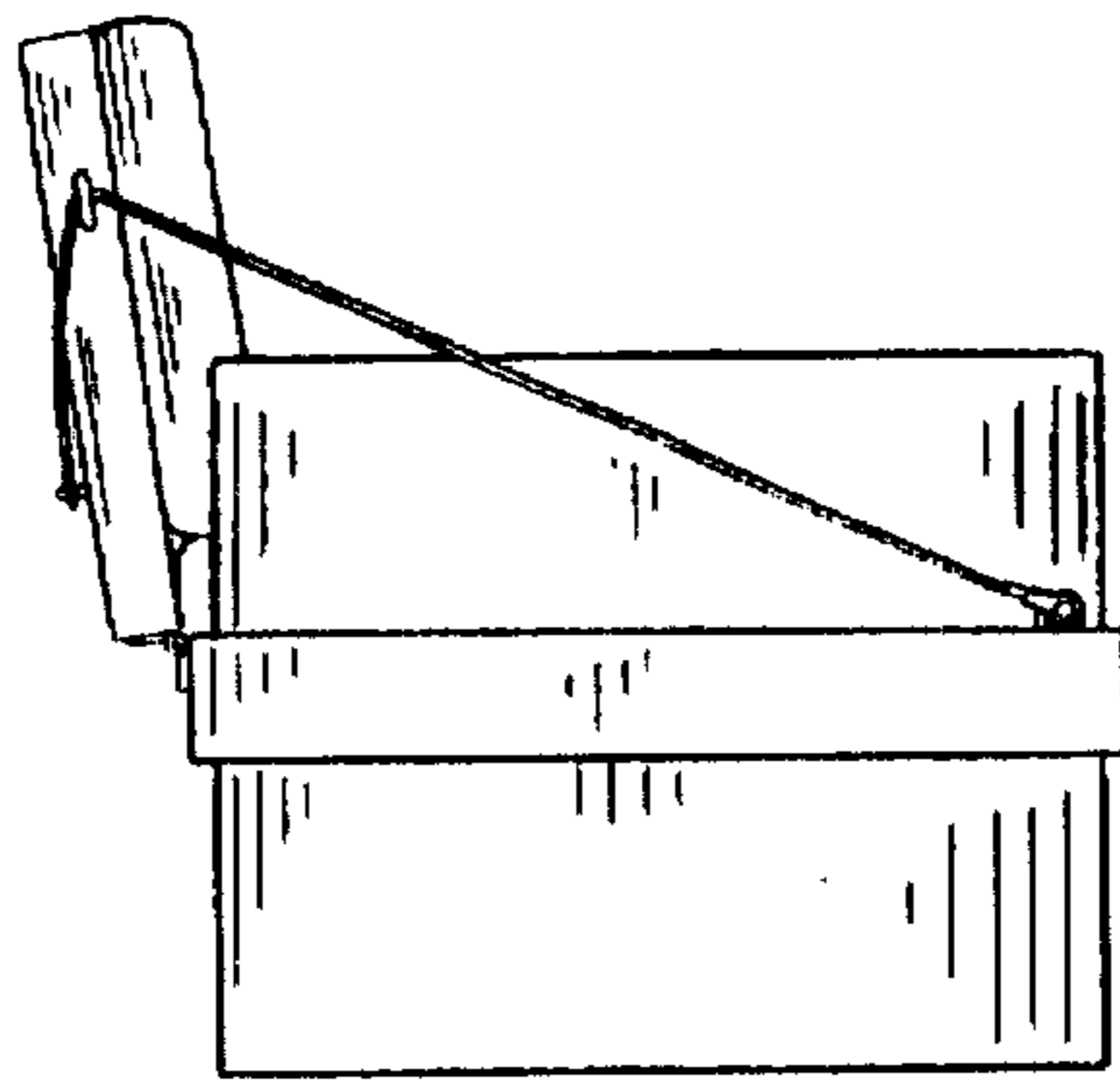


FIG. 4

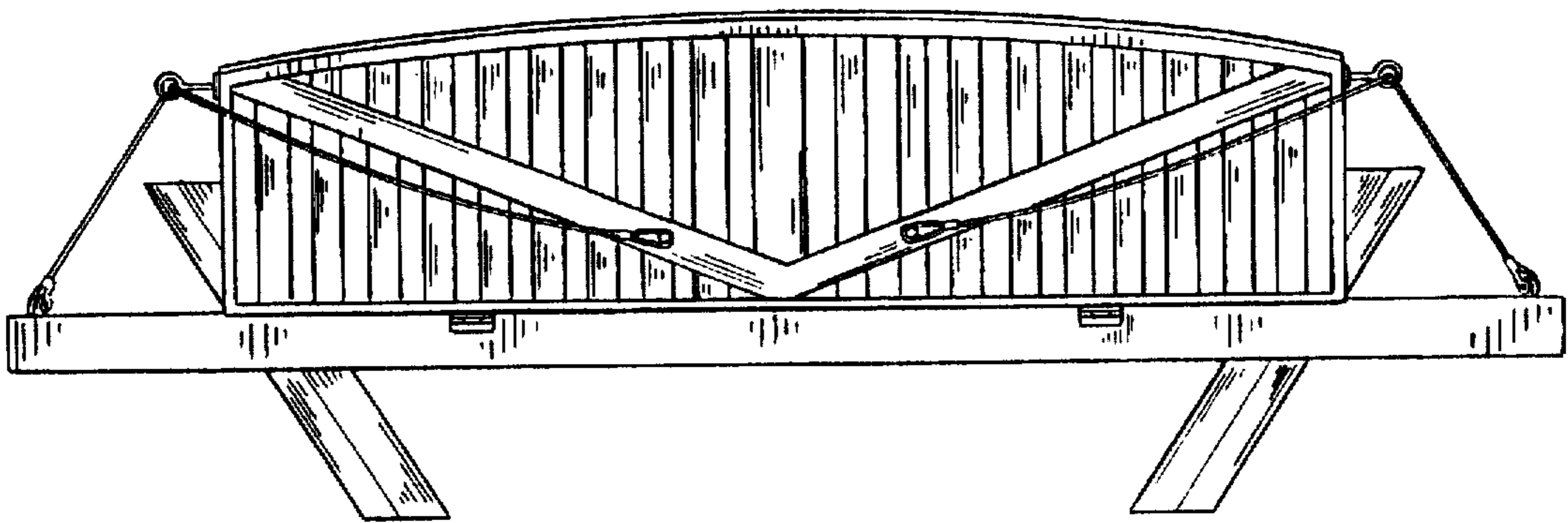


FIG. 5

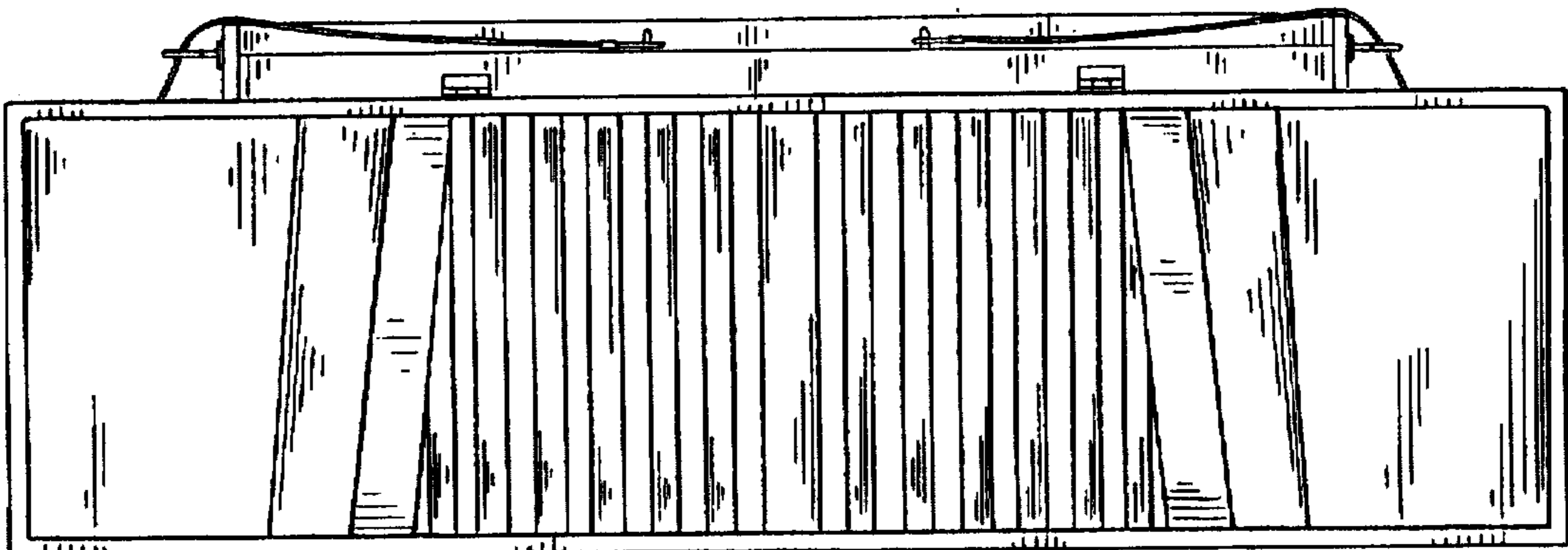


FIG. 6