



US00D394559S

**United States Patent** [19]  
**Leventhal**

[11] **Patent Number: Des. 394,559**  
[45] **Date of Patent: \*\*May 26, 1998**

[54] **MASSAGING CHAISE LOUNGE**

[76] **Inventor: Robert D. Leventhal, 2548  
Micheltorena St., Los Angeles, Calif.  
90039**

[\*\*] **Term: 14 Years**

[21] **Appl. No.: 64,803**

[22] **Filed: Jan. 10, 1997**

[51] **LOC (6) Cl. .... 06-01**

[52] **U.S. Cl. .... D6/361**

[58] **Field of Search ..... D6/334, 335, 360,  
D6/361, 367, 500, 501, 502; 297/411.2,  
446.1; 601/98, 115**

[56] **References Cited**

**U.S. PATENT DOCUMENTS**

D. 183,790	10/1958	Deaton	.....	D6/361
D. 190,909	7/1961	Banyard	.....	D6/361
D. 285,630	9/1986	Rodriguez	.....	D6/361
D. 312,735	12/1990	Hoffmann	.....	D6/361

**OTHER PUBLICATIONS**

Domus, p. 10, Lounge shown, Dec. 1985.

*Primary Examiner*—Gary D. Watson  
*Attorney, Agent, or Firm*—Sheldon & Mak

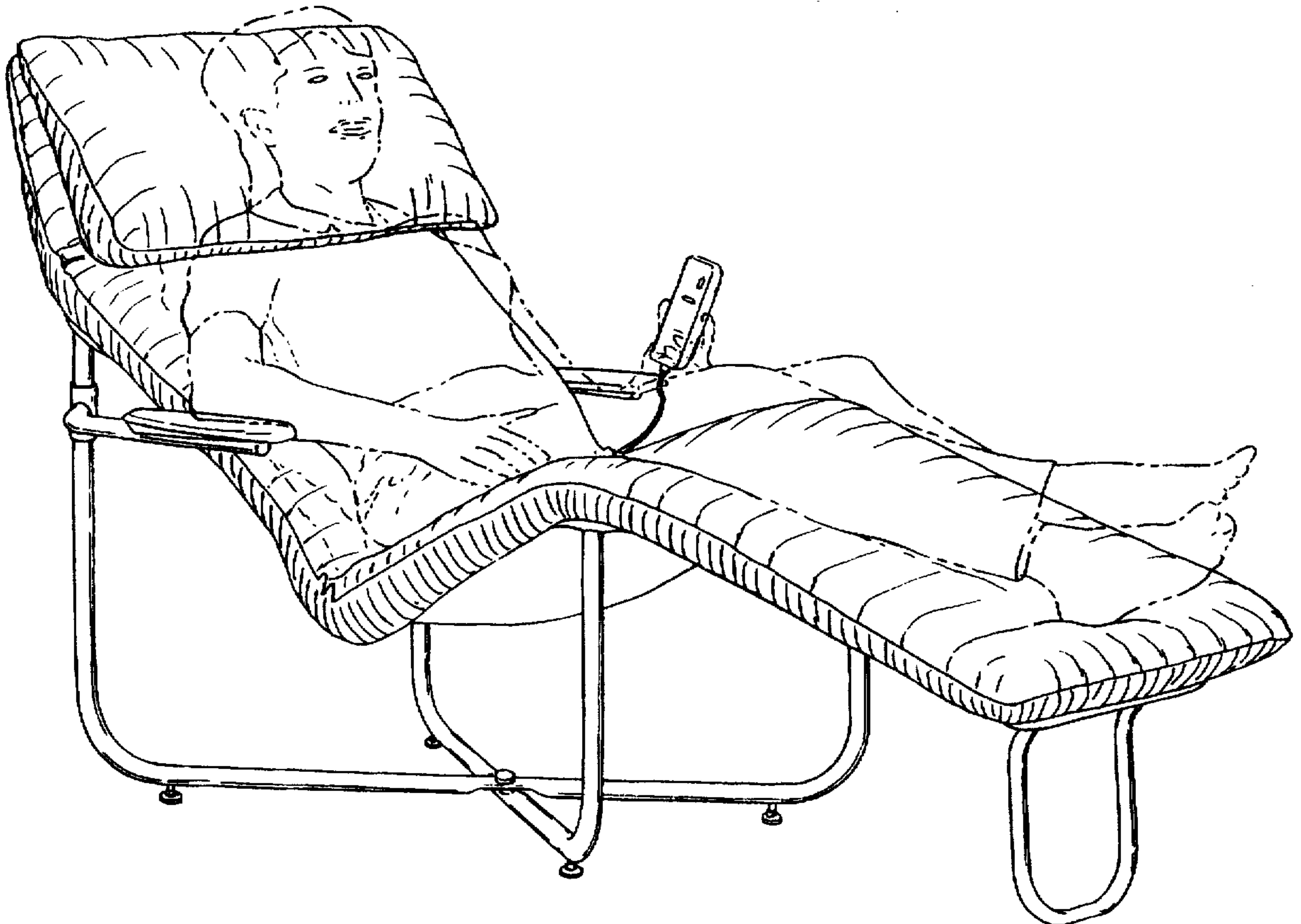
[57] **CLAIM**

The ornamental design for a massaging chaise lounge, as shown and described.

**DESCRIPTION**

FIG. 1 is a right front elevational perspective view of a massaging chaise lounge showing my new design; FIG. 2 is a right side view of the massaging chaise lounge, the left view being a mirror image in appearance; FIG. 3 is a top view of the massaging chaise lounge; FIG. 4 is a front view of the massaging chaise lounge; FIG. 5 is a rear view of the massaging chaise lounge; and, FIG. 6 is a bottom view of the massaging chaise lounge. The broken line showing of a person in FIG. 1 is for environmental purposes only and forms no part of the claimed design.

**1 Claim, 2 Drawing Sheets**



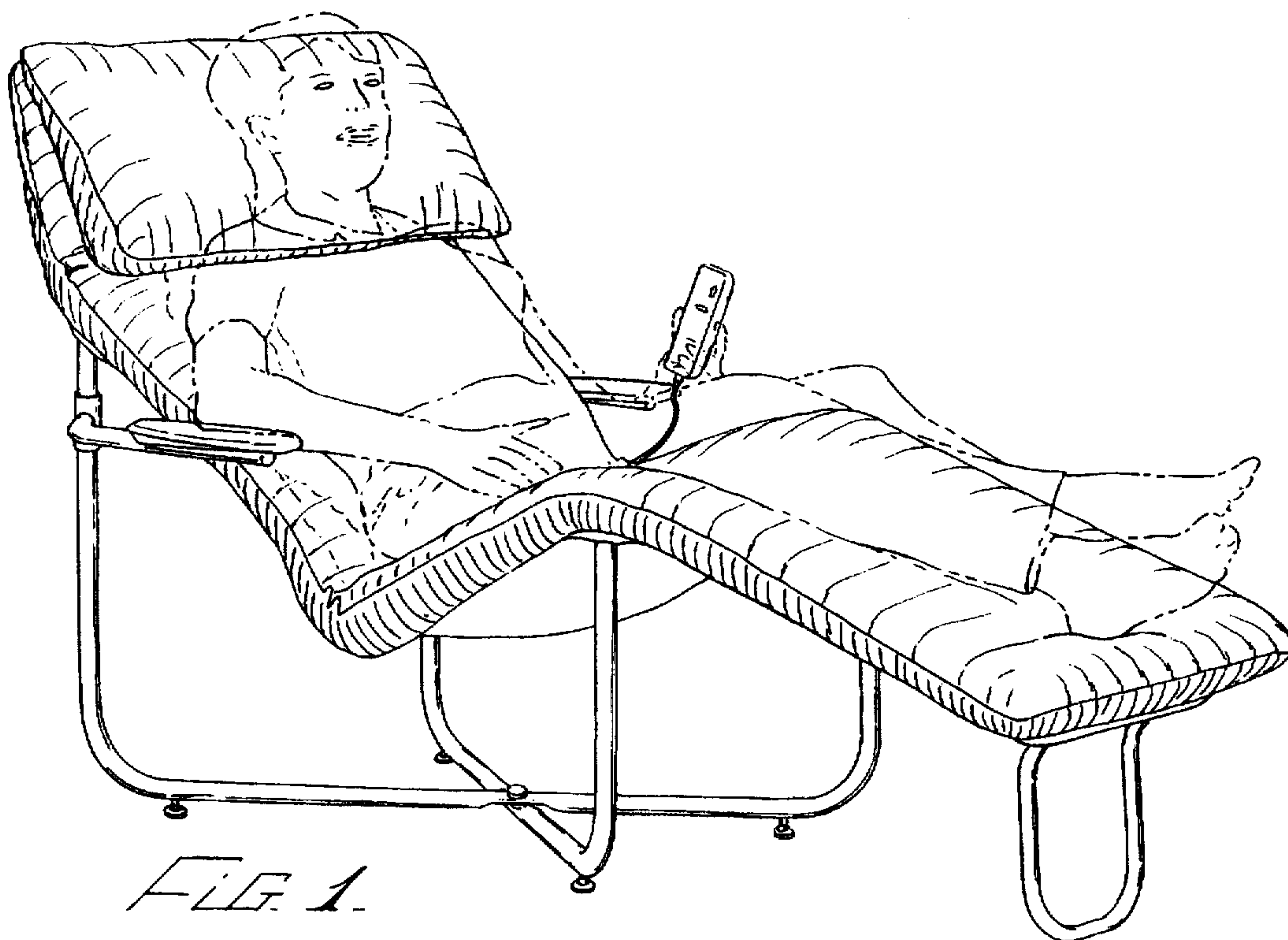


FIG. 1.

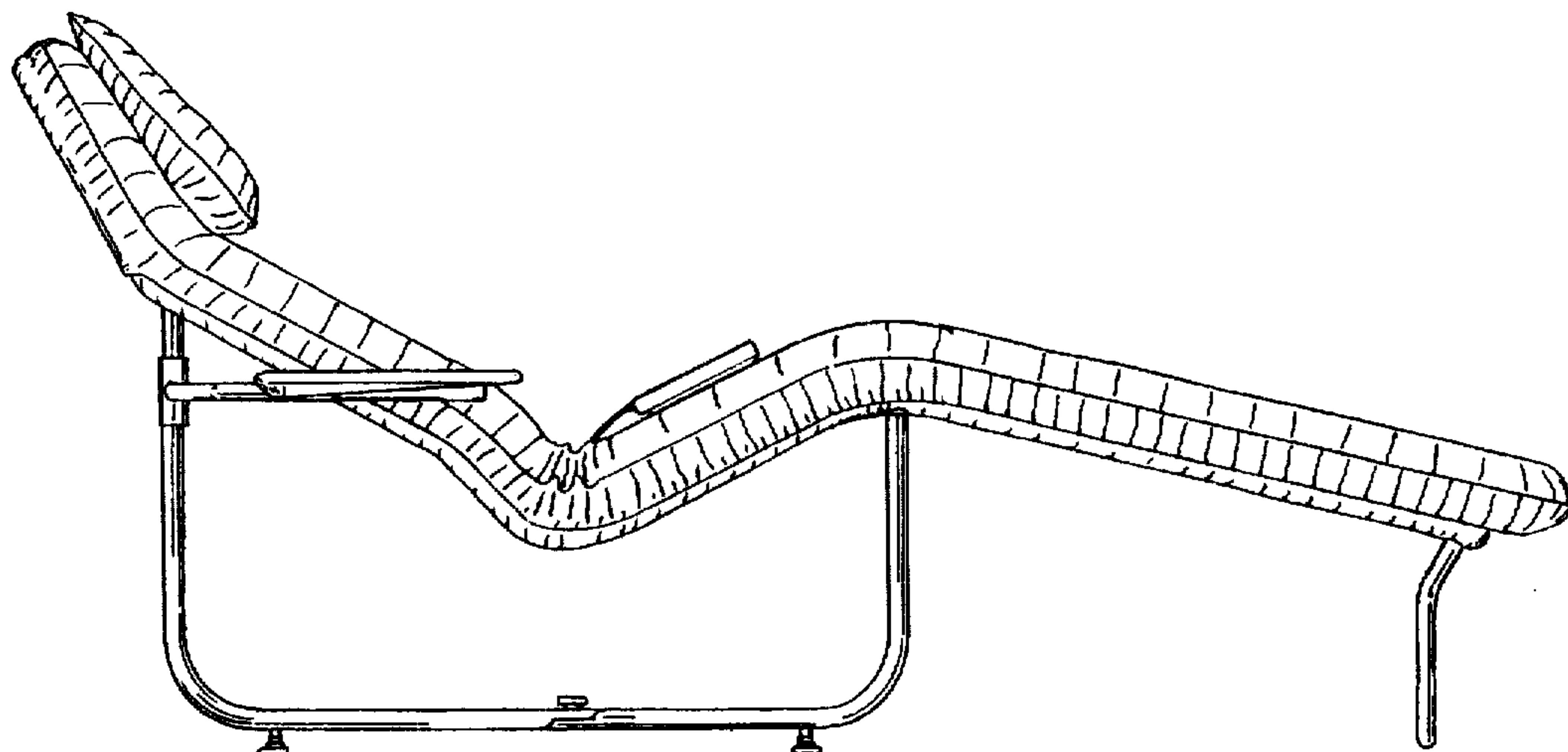


FIG. 2.

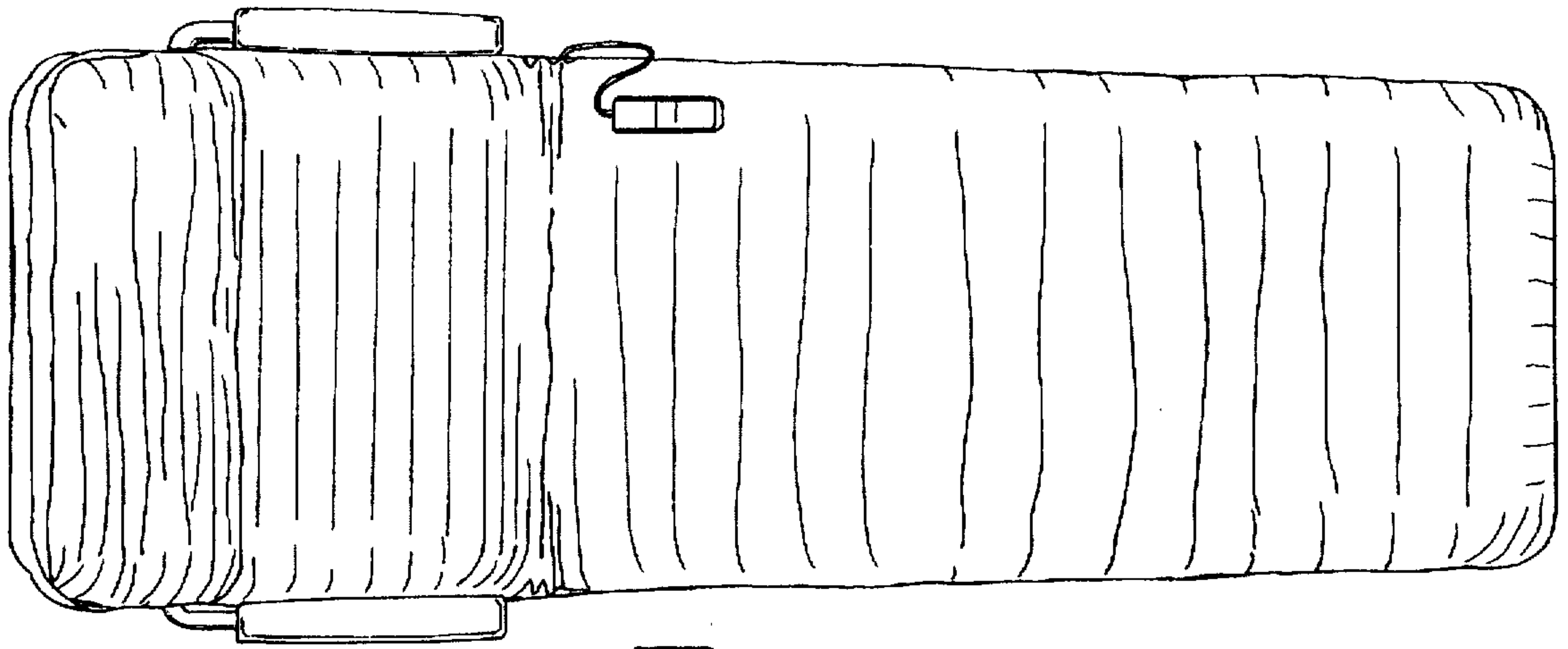


FIG. 3.

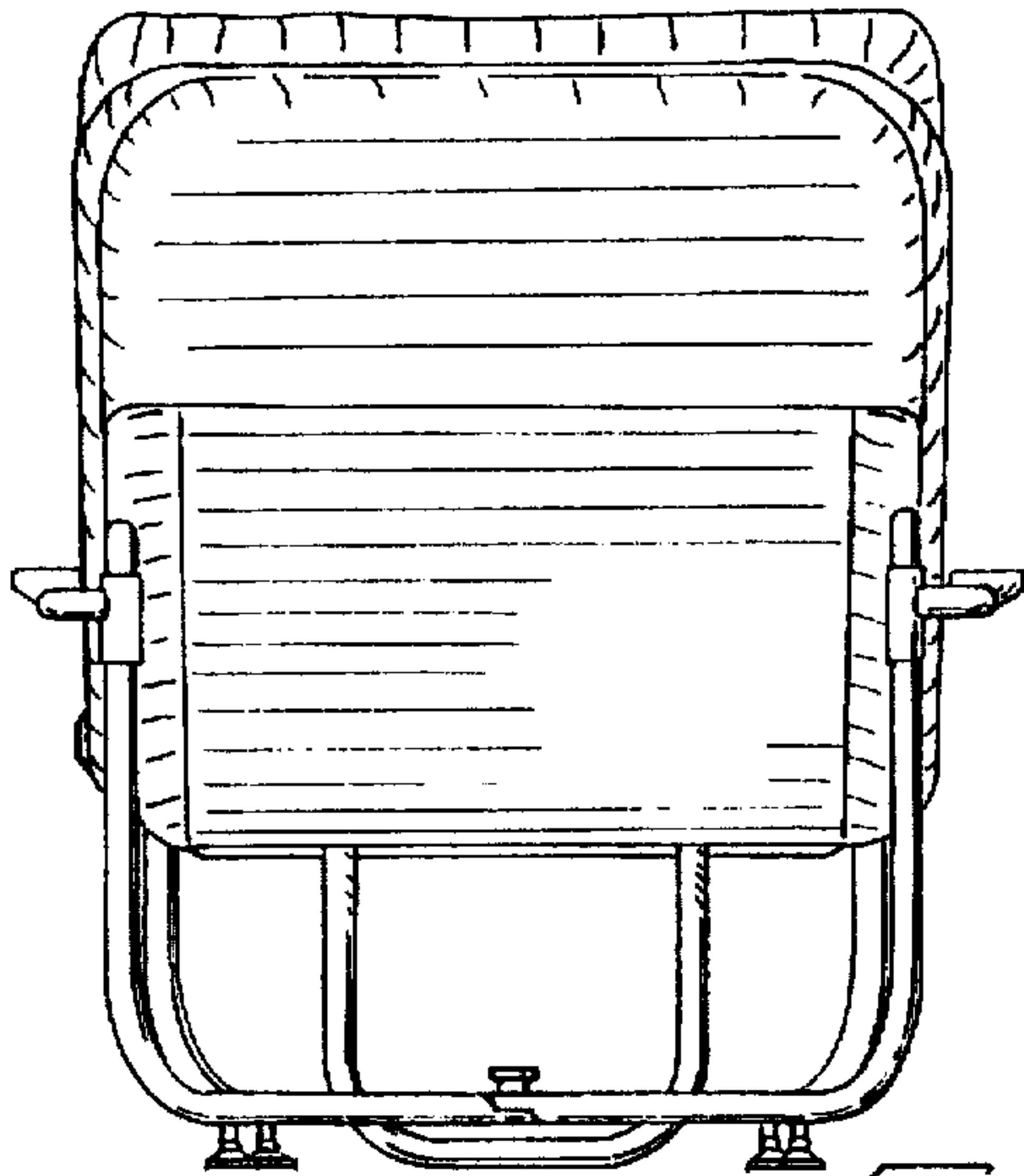


FIG. 5.

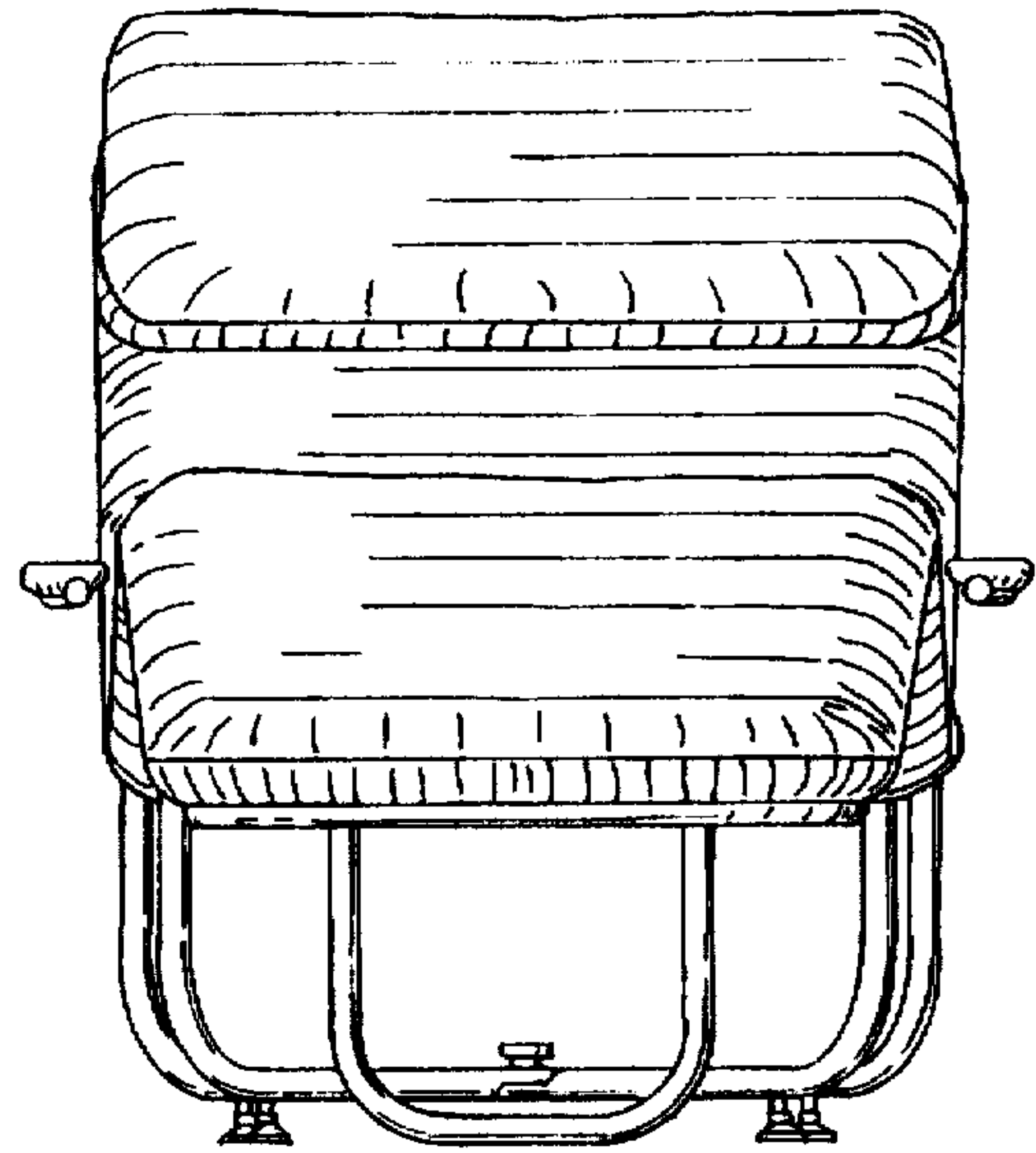


FIG. 4.

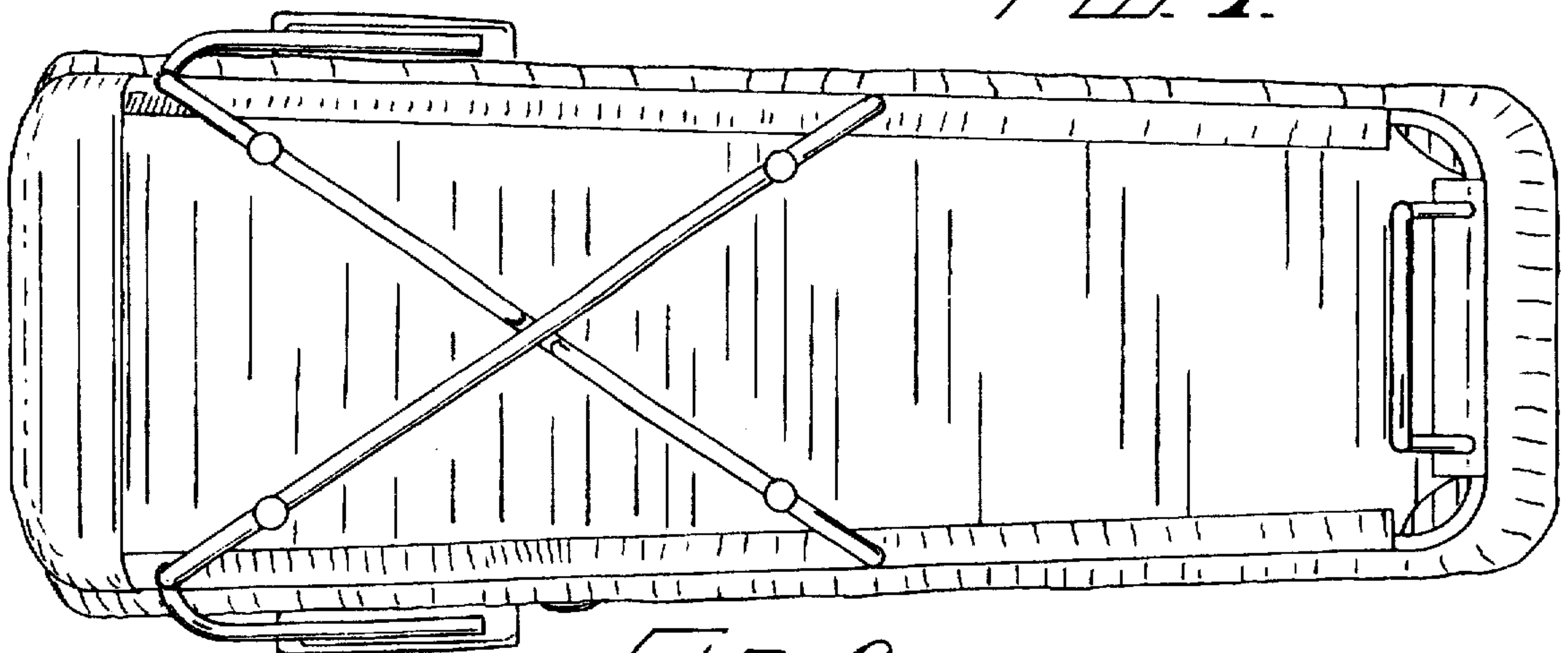


FIG. 6.