



US00D394557S

United States Patent [19]
Wilcox

[11] **Patent Number:** **Des. 394,557**
[45] **Date of Patent:** ****May 26, 1998**

[54] **COMPACT TIE HANGER**

[75] **Inventor:** **Jay P. Wilcox, Cedarburg, Wis.**

[73] **Assignee:** **Allen-Edmonds Shoe Corporation, Port Washington, Wis.**

[**] **Term:** **14 Years**

[21] **Appl. No.:** **67,658**

[22] **Filed:** **Mar. 6, 1997**

[51] **LOC (6) Cl.** **06-08**

[52] **U.S. Cl.** **D6/318; D6/315**

[58] **Field of Search** **D6/315, 513, 327, D6/318; 211/113; 223/85, DIG. 1**

[56] **References Cited**

U.S. PATENT DOCUMENTS

D. 239,041	3/1976	Rubinstein	D6/318
D. 247,084	1/1978	DeMascole	D6/315
D. 272,501	2/1984	Rutishauser	D6/327
D. 291,031	7/1987	Luongo	D6/320

D. 365,214	12/1995	Wilcox	D6/315
2,007,636	7/1935	Brothers	211/113
4,863,043	9/1989	Bowen	223/DIG. 1
5,642,841	7/1997	Beaty	223/85

Primary Examiner—B. J. Bullock
Attorney, Agent, or Firm—Andrus, Scales, Starke & Sawall

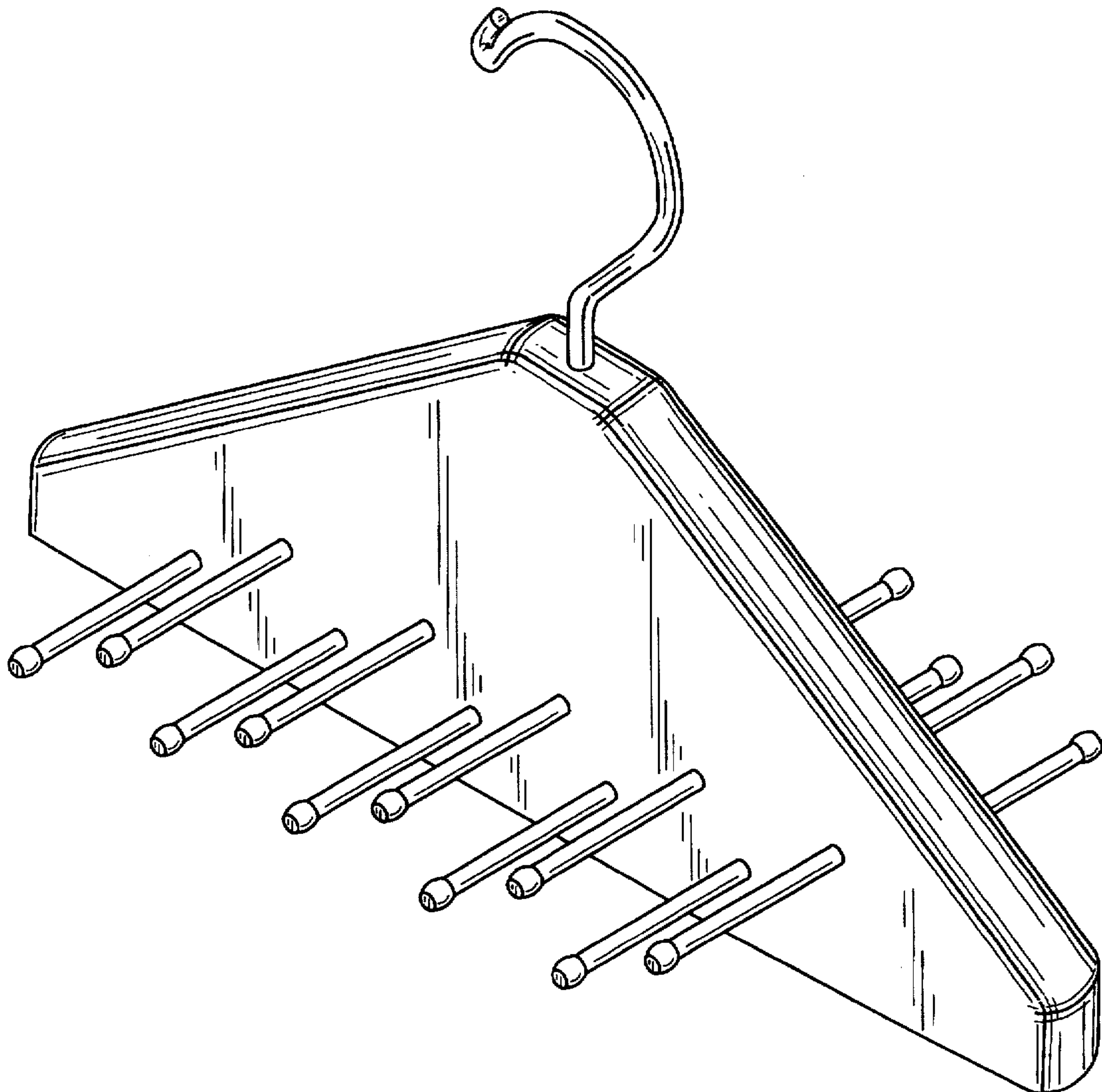
[57] **CLAIM**

The ornamental design for a compact tie hanger, as shown and described.

DESCRIPTION

FIG. 1 is a front perspective view of a compact tie hanger showing my new design;
FIG. 2 is a front elevational view thereof;
FIG. 3 is a right side elevational view thereof;
FIG. 4 is a left side elevational view thereof;
FIG. 5 is a top plan view thereof; and,
FIG. 6 is a bottom plan view thereof.

1 Claim, 3 Drawing Sheets



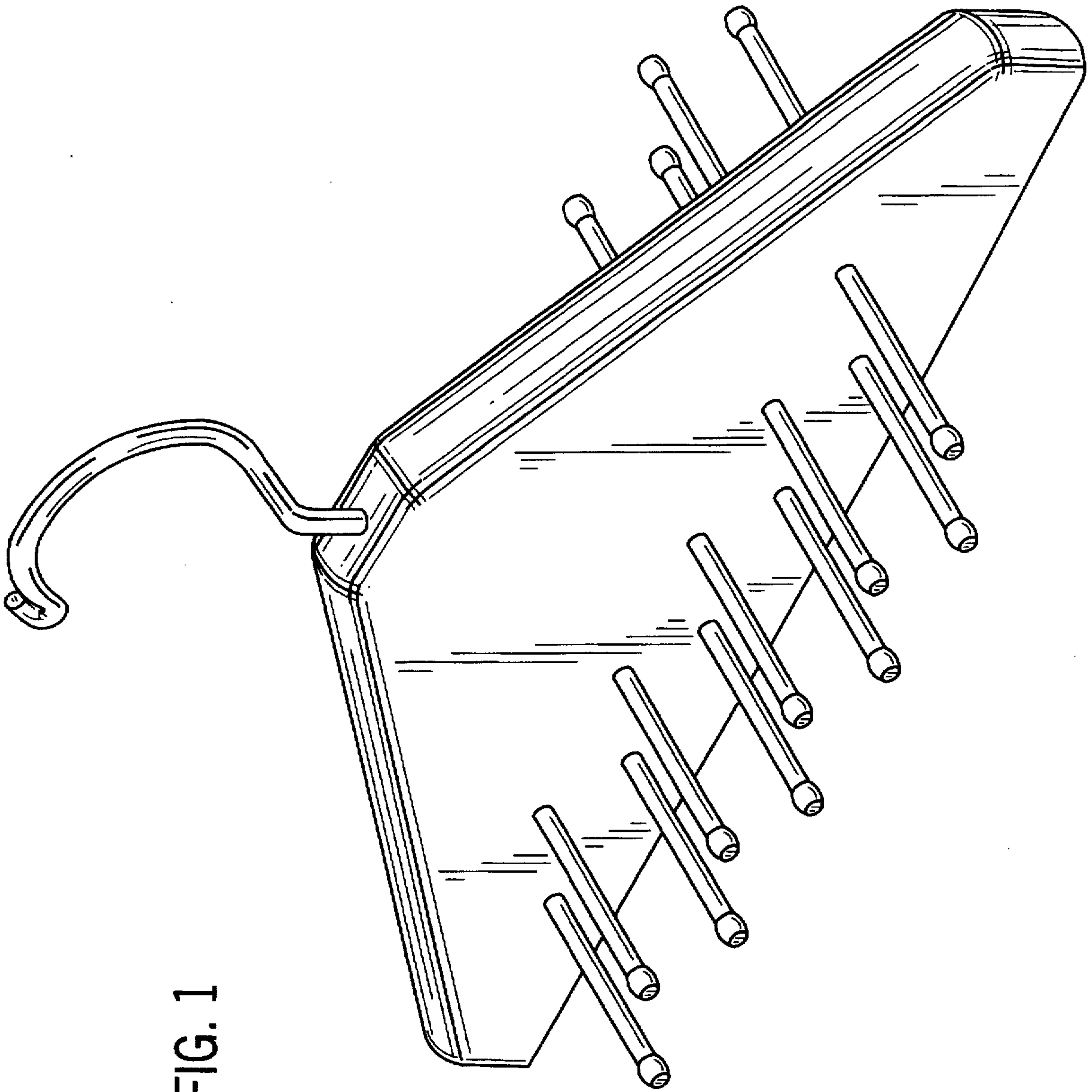


FIG. 1

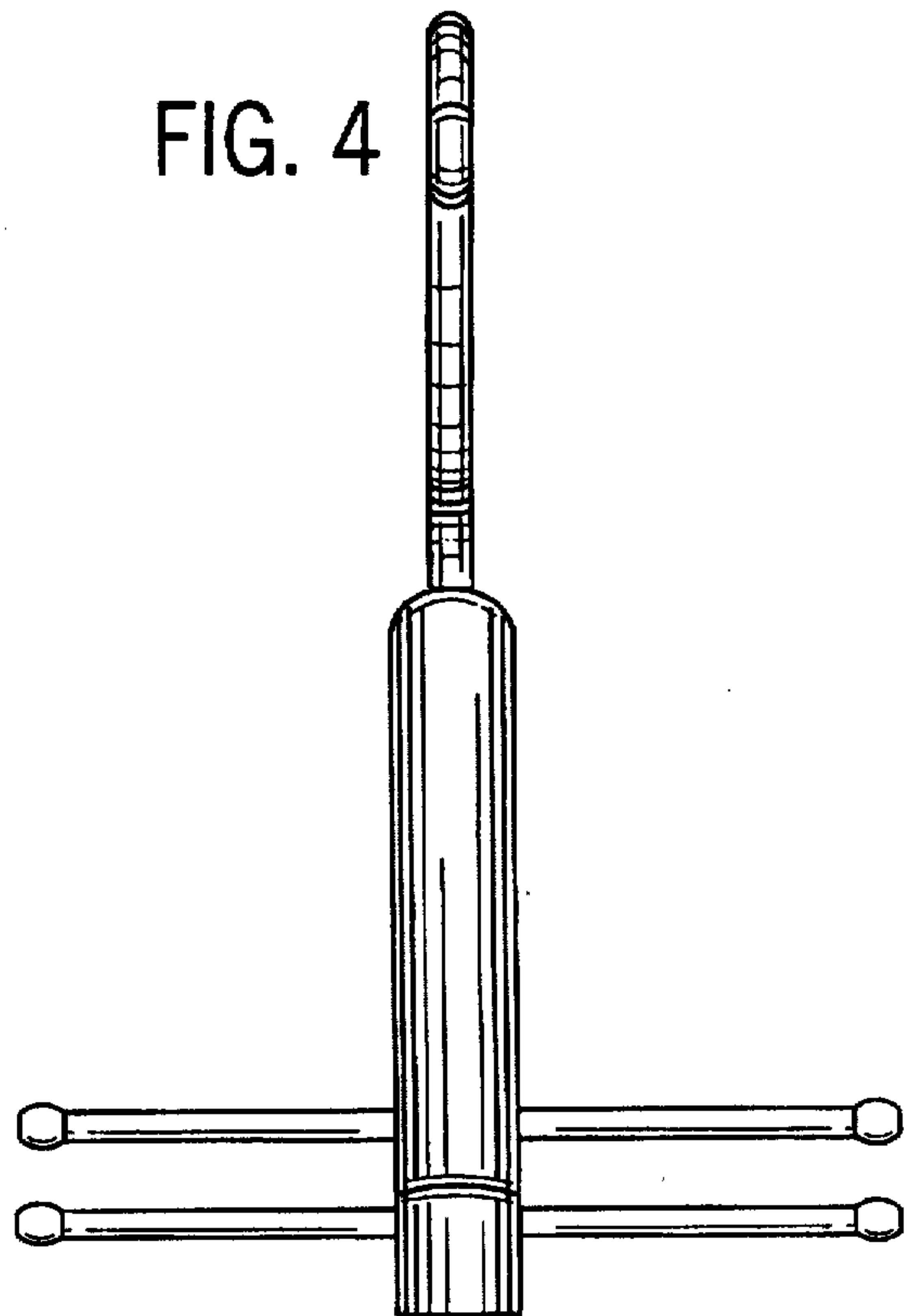
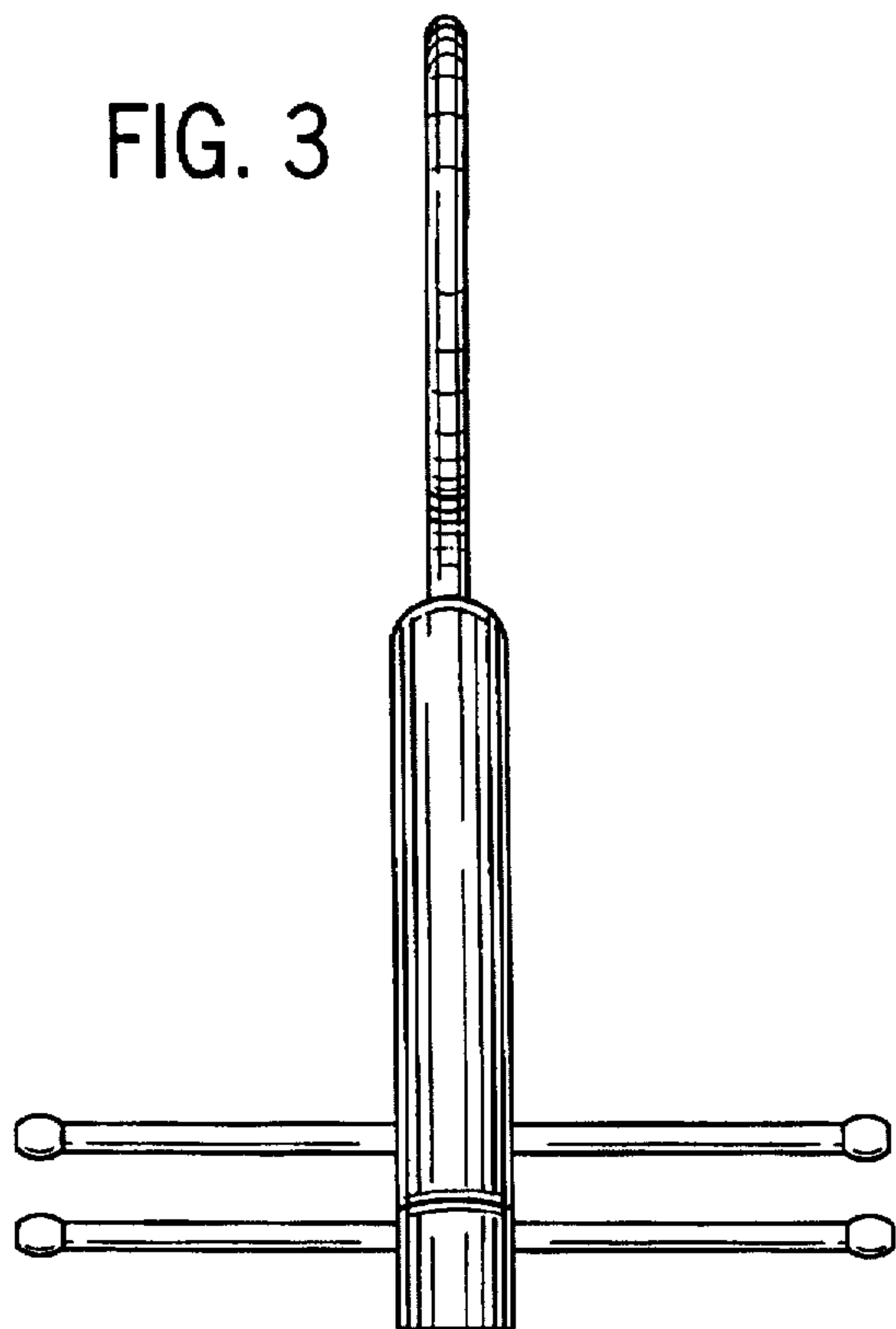
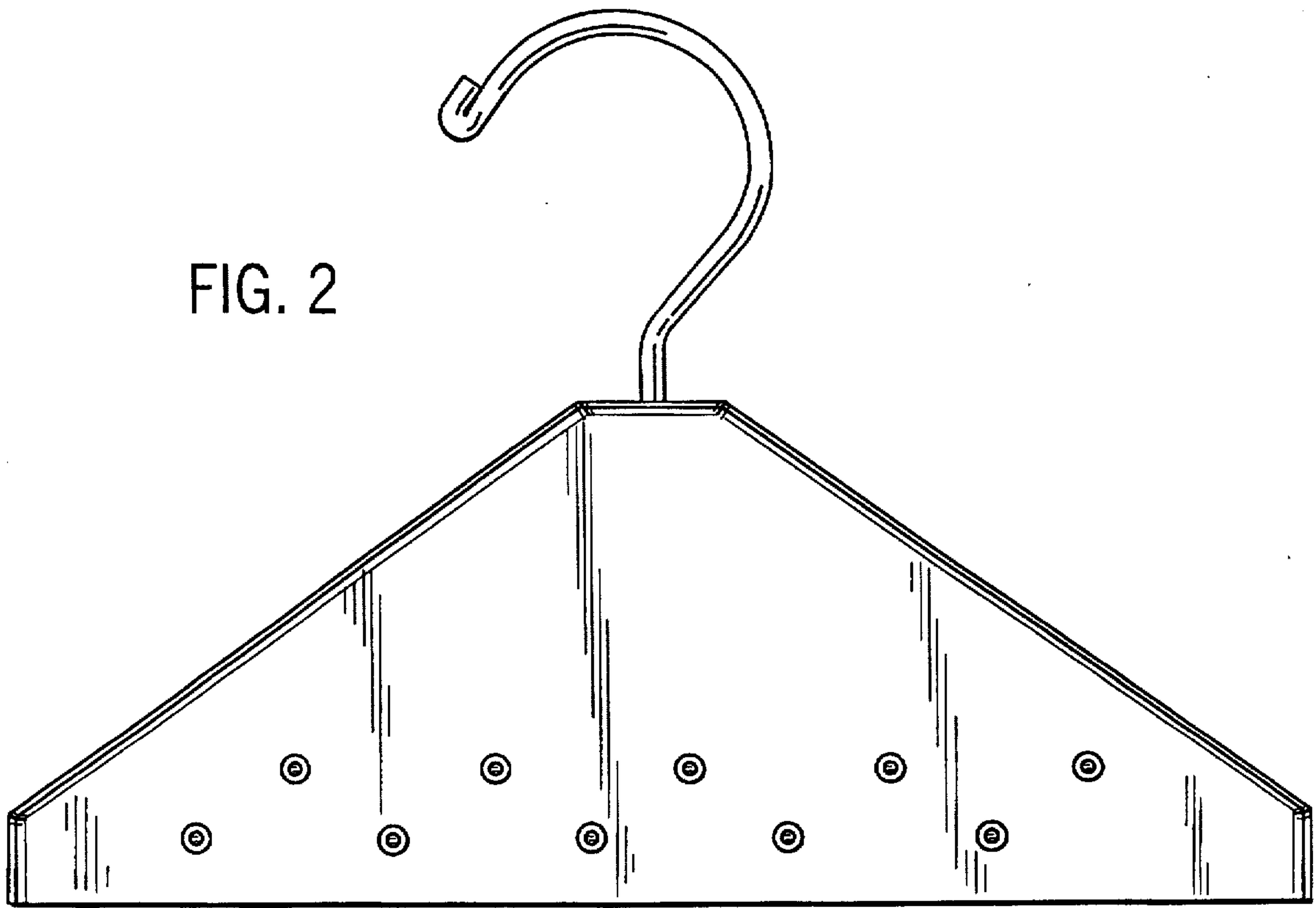


FIG. 5

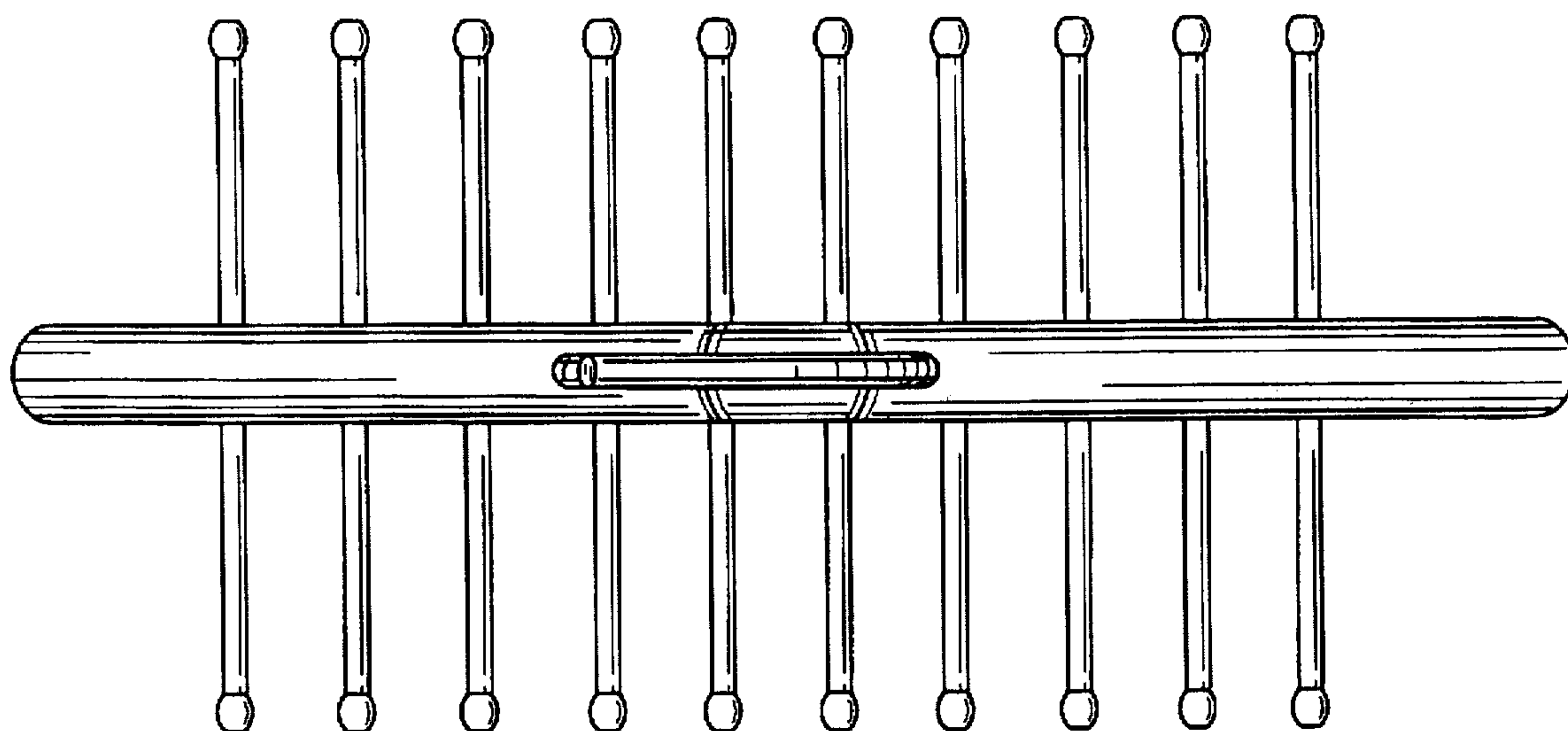


FIG. 6

