



US00D394532S

# United States Patent [19]

[11] Patent Number: Des. 394,532

Burgin et al.

[45] Date of Patent: \*\*May 19, 1998

- [54] **HAMPER**
- [75] Inventors: **Ralph C. Burgin**, West Point; **Duane K. Daley**, Ft. Madison, both of Iowa
- [73] Assignee: **Burlington Basket Company**, Burlington, Iowa
- [\*\*] Term: **14 Years**
- [21] Appl. No.: **67,313**
- [22] Filed: **Feb. 21, 1997**
- [51] **LOC (6) Cl.** ..... **07-07**
- [52] **U.S. Cl.** ..... **D32/37**
- [58] **Field of Search** ..... **D32/36, 37; 232/43.2, 232/43.4, 2 R; 220/908, 909, 404, 403, 9.2, 4.28, 4.33**

Attorney, Agent, or Firm—Zarley, McKee, Thomte, Voorhees, & Sease

### [57] CLAIM

The ornamental design for a hamper, as shown and described.

### DESCRIPTION

FIG. 1 is a front perspective view of a hamper, showing my new design;  
 FIG. 2 is a top plan view thereof;  
 FIG. 3 is a bottom plan view thereof;  
 FIG. 4 is a plan view of the floor thereof, shown separately for ease of illustration, the opposite side being a mirror image;  
 FIG. 5 is a cross sectional view taken along line 5—5 of FIG. 1, shown without the outer frame for ease of illustration;  
 FIG. 6 is a cross sectional view taken along line 5—5 in FIG. 1 of an alternate bottom embodiment with the remaining views being the same as disclosed in FIGS. 1, 7-9;  
 FIG. 7 is a front elevational view thereof;  
 FIG. 8 is a rear elevational view thereof; and  
 FIG. 9 is an elevational view thereof with the opposite end being a mirror image thereof.

The broken line showing of a hamper lid in FIGS. 1, 7, 8 and 9 is for illustrative purposes only and forms no part of the claimed design. The cross-line pattern which is partially shown for ease of illustration, represents a conventional fabric and is understood to repeat uniformly throughout the indicated area.

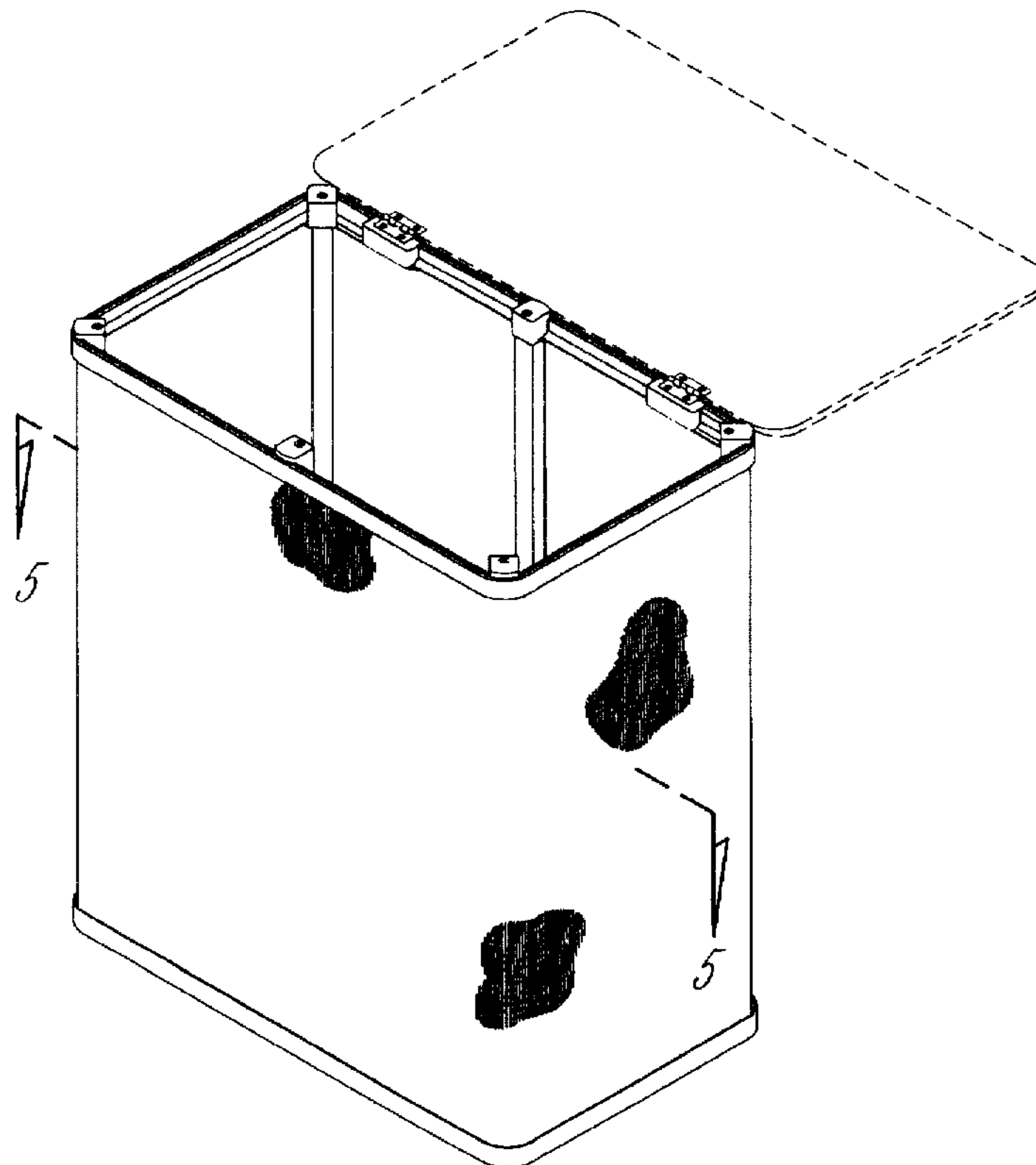
### [56] References Cited

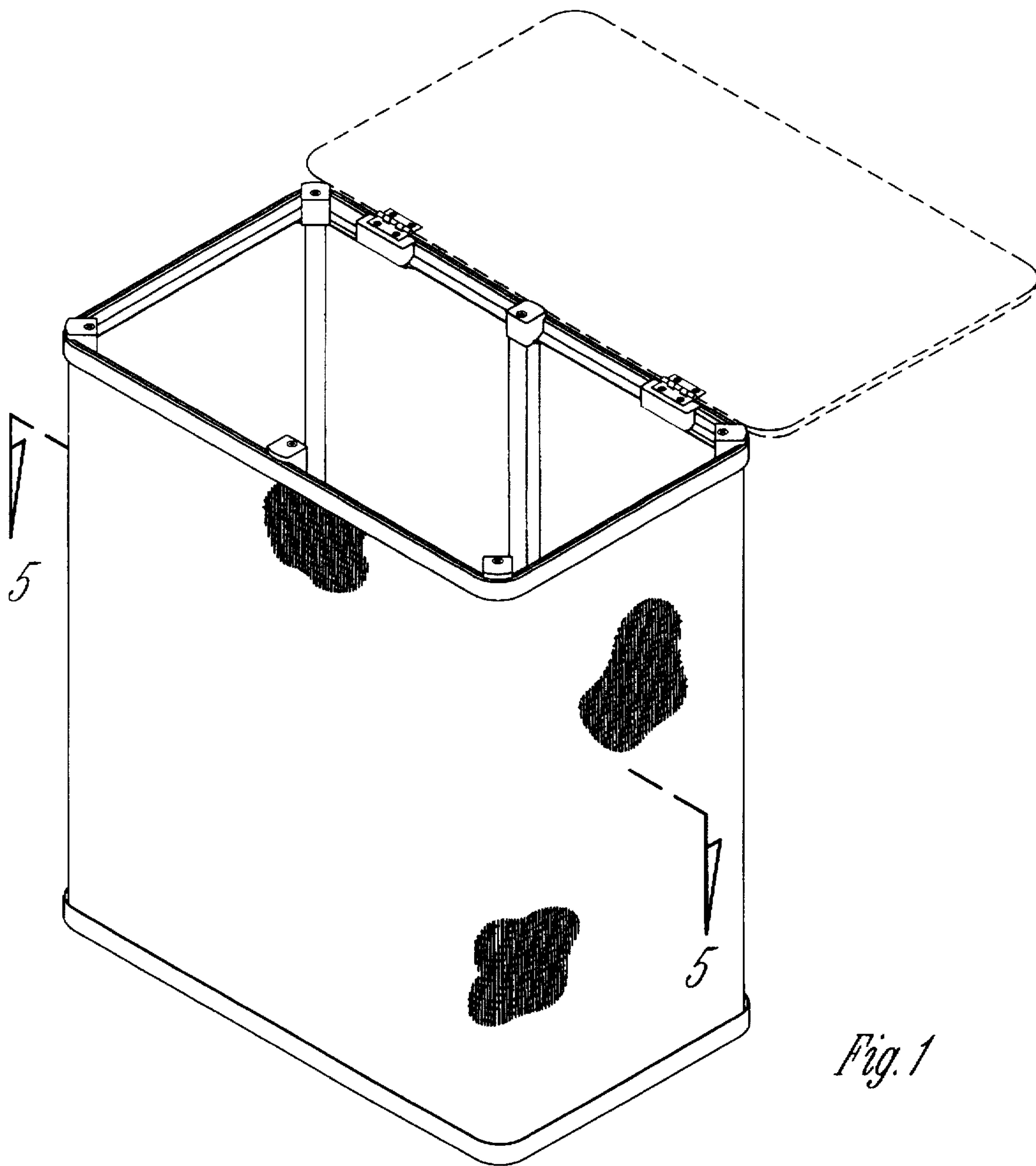
#### U.S. PATENT DOCUMENTS

D. 117,367	10/1939	Gleitsman	.....	D32/37
D. 140,273	2/1945	Dieter	.....	D32/37
D. 155,161	9/1949	Jacobson	.....	D32/37
D. 243,917	4/1977	Katzander	.....	D32/37
D. 342,365	12/1993	Conaway et al.	.....	D32/37
2,625,973	1/1953	Weldon et al.	.....	220/44
5,356,024	10/1994	Ho et al.	..	
5,464,113	11/1995	Ho et al.	..	
5,474,196	12/1995	Fausel et al.	..	
5,620,108	4/1997	Hsu	.....	220/4.28

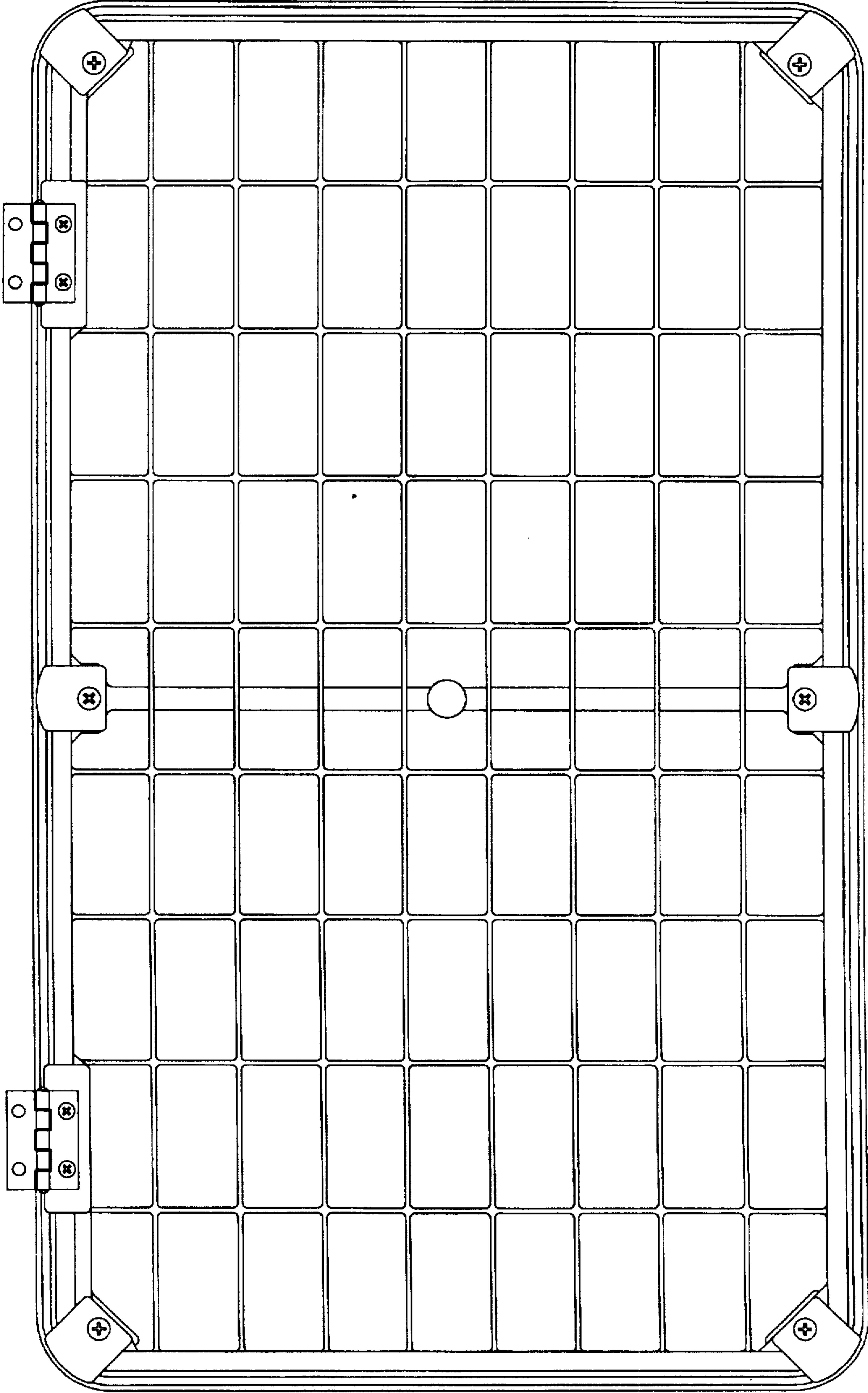
Primary Examiner—Alan P. Douglas  
Assistant Examiner—Robin V. Taylor

1 Claim, 9 Drawing Sheets

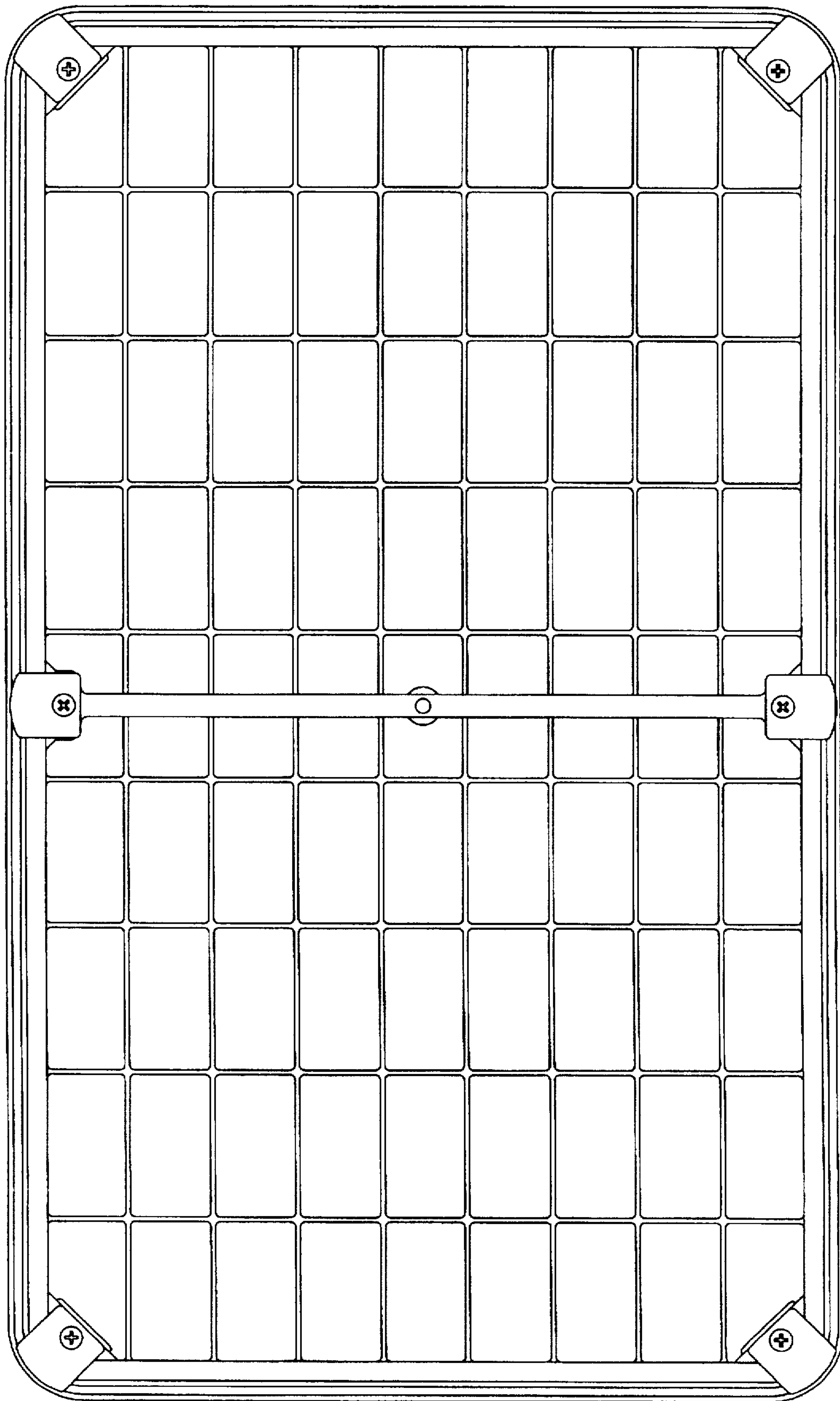




*Fig. 1*

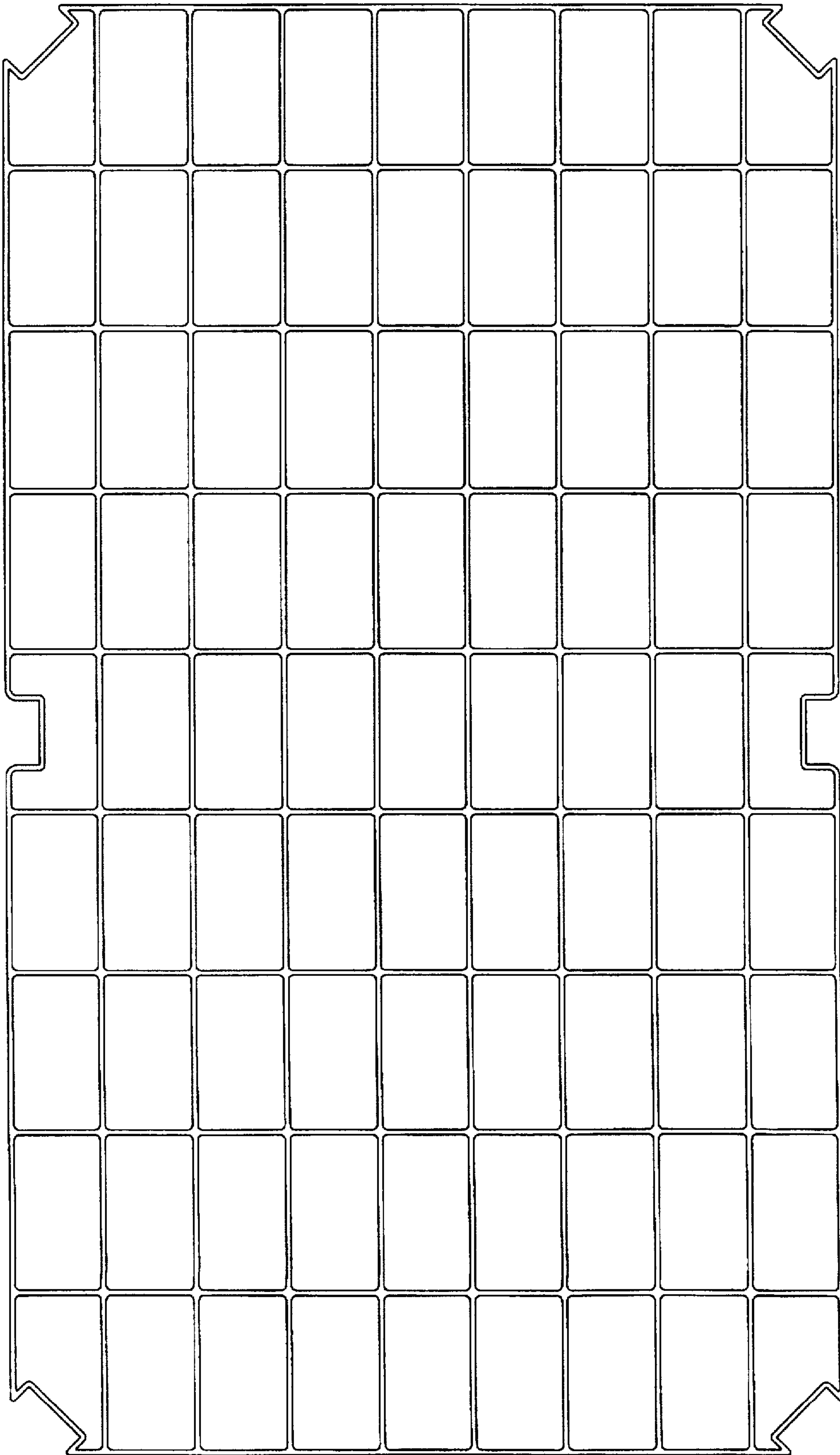


*Fig. 2*

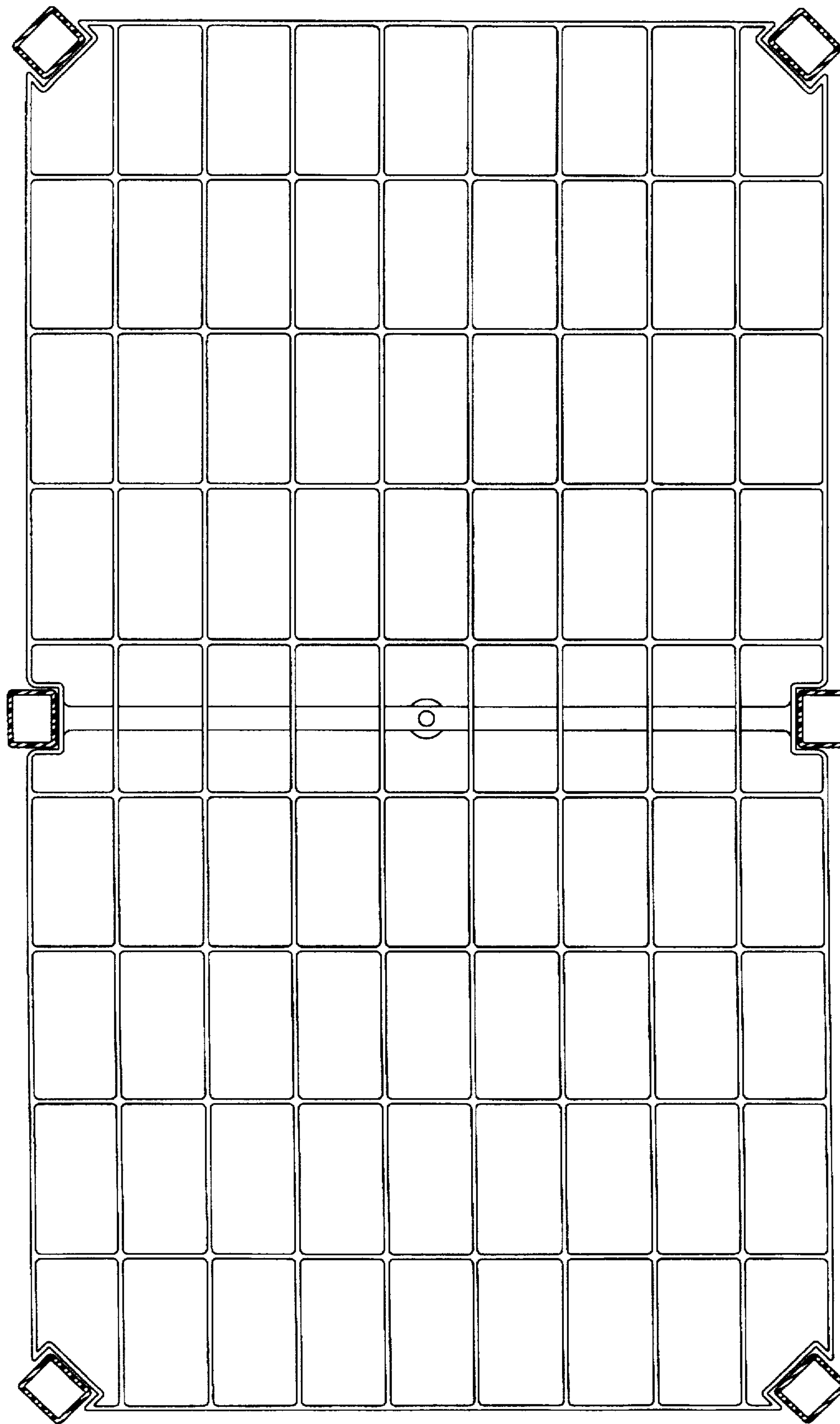


*Fig. 3*

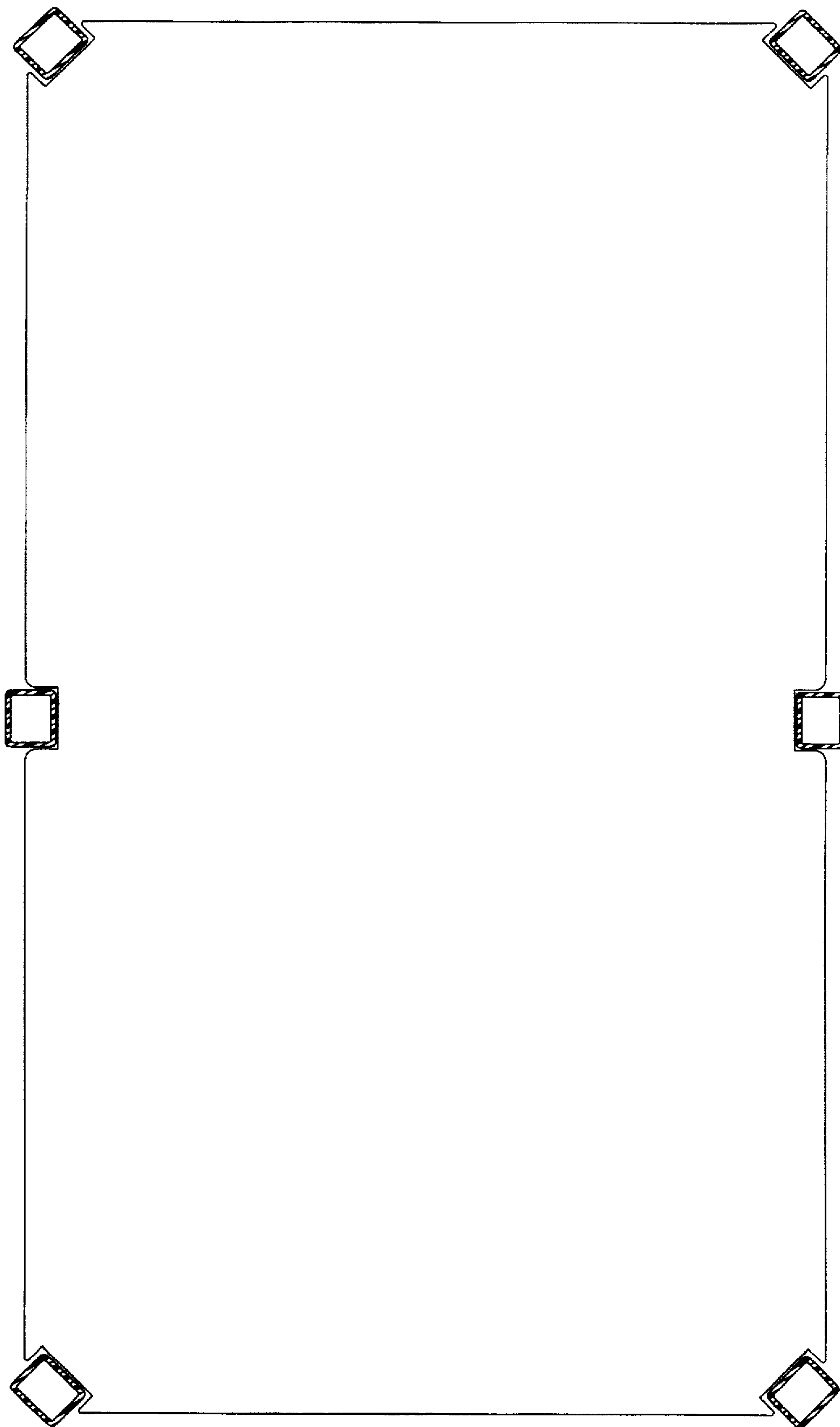




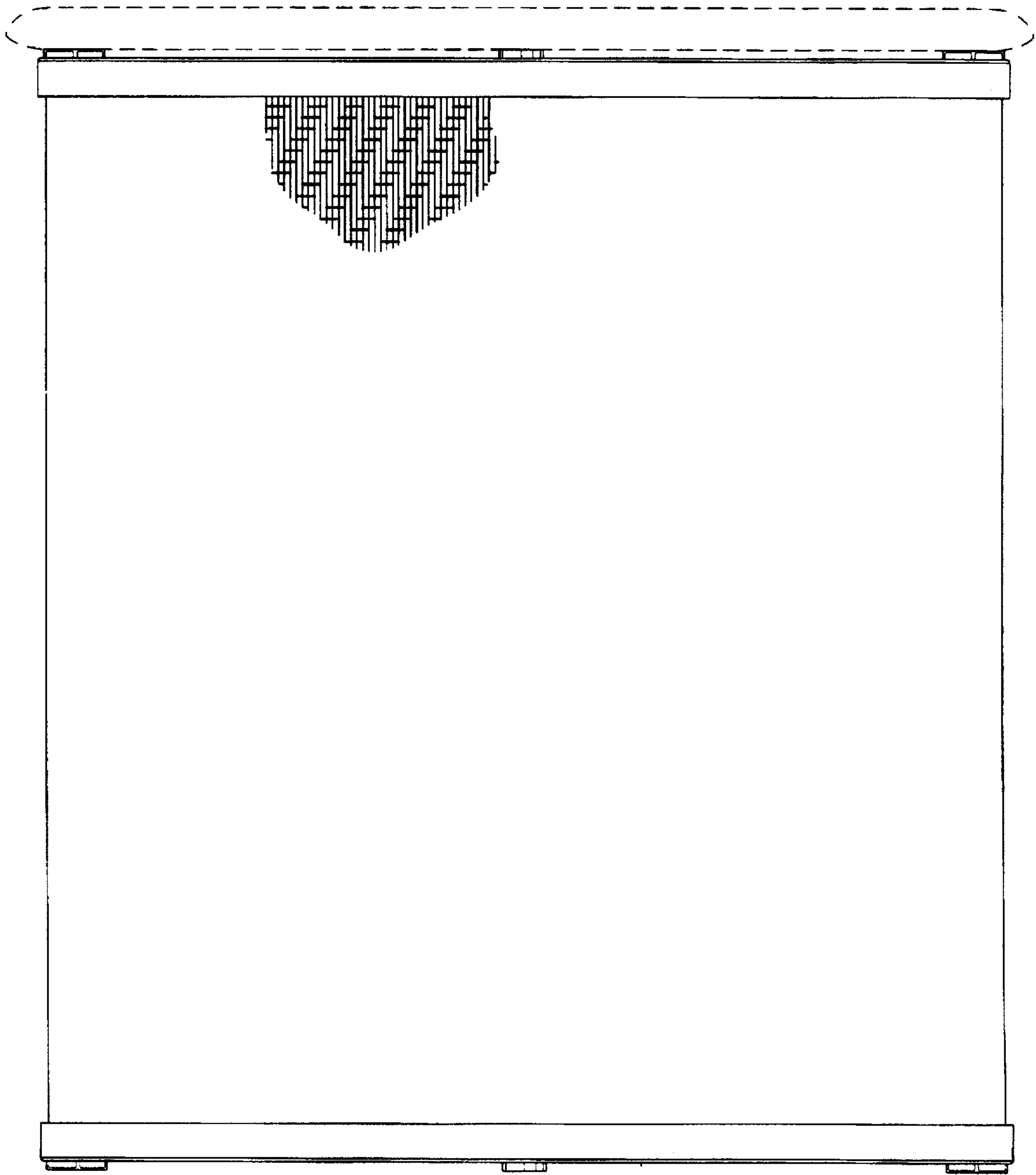
*Fig. 4*



*Fig. 5*

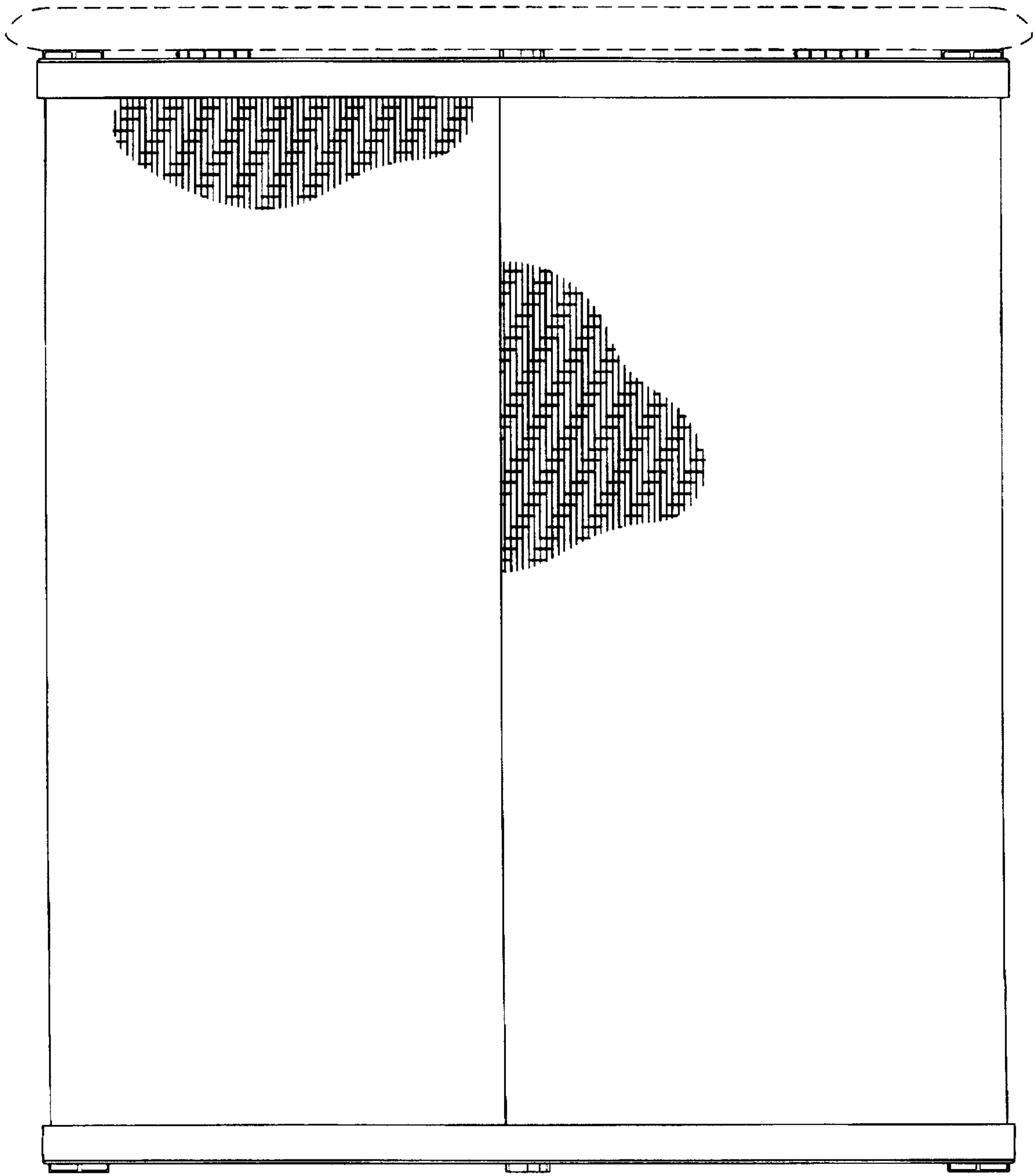


*Fig. 6*

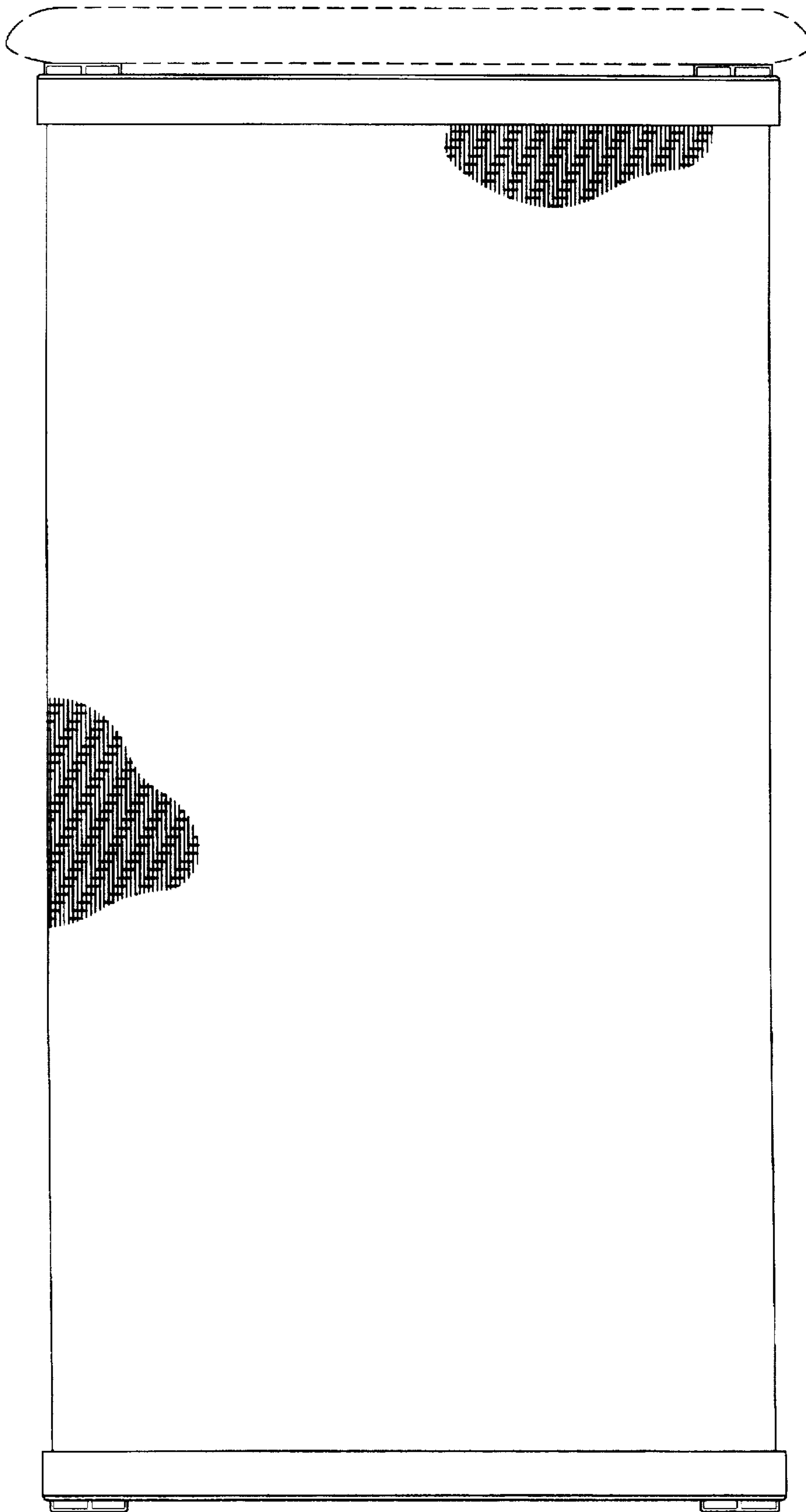


*Fig. 7*





*Fig. 8*



*Fig. 9*