



US00D394530S

United States Patent [19]

[11] Patent Number: **Des. 394,530**

Roeker

[45] Date of Patent: ****May 19, 1998**

[54] **SURFACE TREATING ARTICLE RETAINER SYSTEM**

5,545,078 8/1996 Schulz et al. .
5,619,770 4/1997 Bell 15/230 X

[75] Inventor: **David C. Roeker**, Hudson, Wis.

FOREIGN PATENT DOCUMENTS

[73] Assignee: **Minnesota Mining and Manufacturing Company**, St. Paul, Minn.

0 503 127 A1 9/1992 European Pat. Off. .
0 566 761 A1 10/1993 European Pat. Off. .
44 30 229 A1 2/1996 Germany .

[**] Term: **14 Years**

OTHER PUBLICATIONS

[21] Appl. No.: **68,814**

Regalite™ Sanding Rolls and Edger Discs Product Brochure, 3M Company Construction Markets, 98-0701-3902-1, dated 1992.

[22] Filed: **Mar. 28, 1997**

Dynabrade Industrial Abrasive Power Tools and Accessories, 1996, p. 117.

[51] LOC (6) Cl. **15-05**

3M Grindline Express, Coated Abrasive, Surface Conditioning, and Superabrasive Products 1996 Catalog, 3M Company, 60-4400-0168-7, pp. 1-68.

[52] U.S. Cl. **D32/25**

[58] Field of Search D32/15-20, 25;
15/179, 180, 230

Dynorbital Random Orbital Disc Pads Stick on Discs, pp. 38 & 52 of Undated Product Brochure.

[56] References Cited

Primary Examiner—Sandra L. Morris
Assistant Examiner—Mitchell I. Siegel
Attorney, Agent, or Firm—James J. Trussell

U.S. PATENT DOCUMENTS

Re. 26,552	3/1969	Block et al. .	
D. 229,502	12/1973	Thielen	D32/25
2,288,624	7/1942	Homsten .	
2,685,155	8/1954	Kuzma et al. .	
3,270,467	9/1966	Block et al. .	
3,436,876	4/1969	McAvoy et al. .	
3,518,709	7/1970	Zemke et al. .	
3,623,281	11/1971	Moffat .	
3,667,170	6/1972	MacKay, Jr. .	
3,864,884	2/1975	Weissman .	
4,138,804	2/1979	Thielen .	
4,245,438	1/1981	van Buren, Jr. .	
4,439,953	4/1984	Block et al. .	
4,541,207	9/1985	Antonson .	
4,730,952	3/1988	Wiley .	
4,839,998	6/1989	Block .	
4,888,843	12/1989	Smith et al. .	
4,932,163	6/1990	Chilton et al. .	
5,201,149	4/1993	Eisenblatter .	
5,201,785	4/1993	Nagano .	
5,263,283	11/1993	Rudolf et al. .	
5,307,592	5/1994	Wylde .	
5,386,608	2/1995	Montabaur et al. .	
5,400,461	3/1995	Malish et al.	15/230

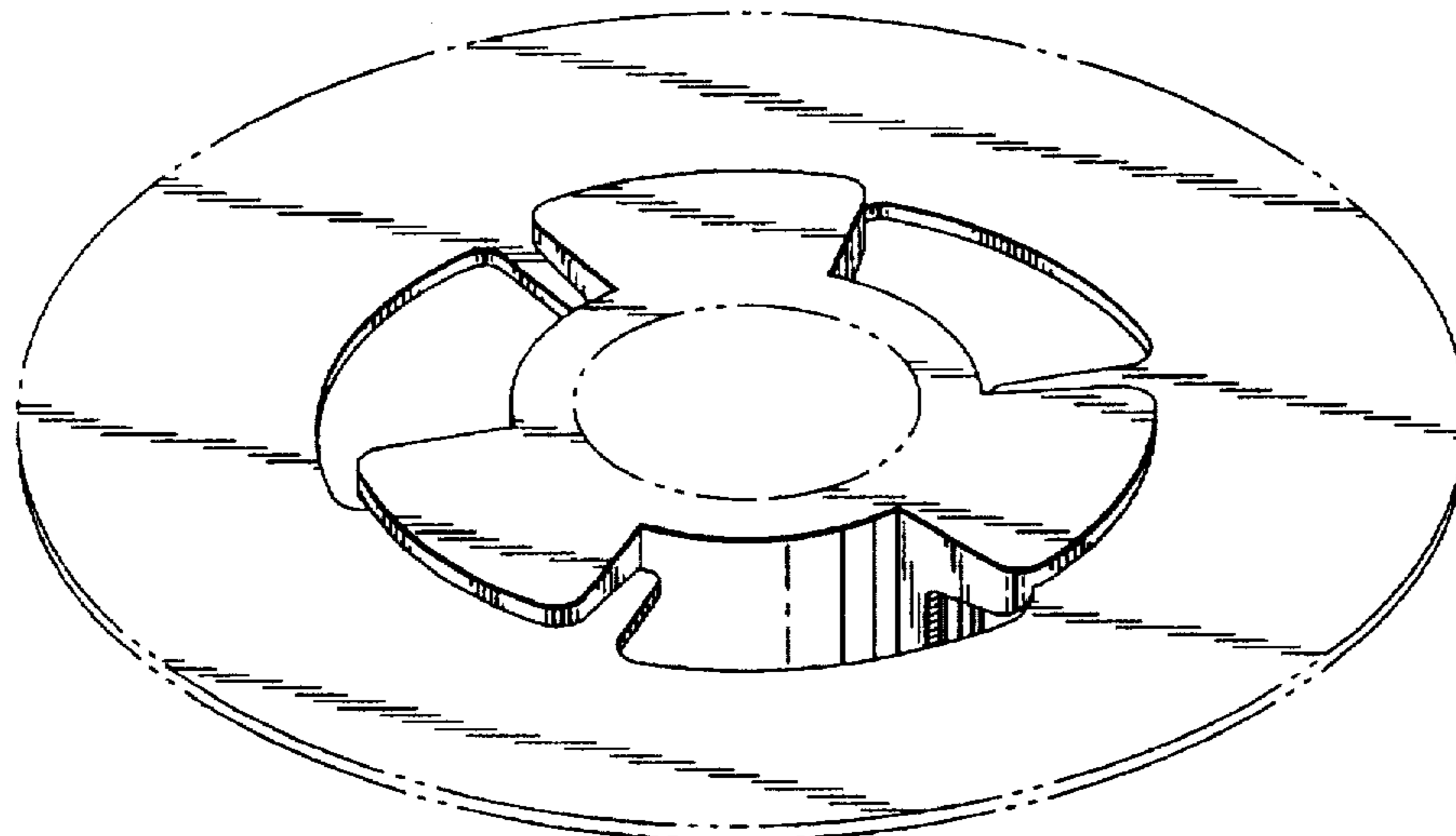
[57] CLAIM

The ornamental design for a surface treating article retainer system, as shown and described.

DESCRIPTION

FIG. 1 is an isometric view a surface treating article retainer system;
FIG. 2 is a top plan view thereof;
FIG. 3 is a bottom plan view thereof;
FIG. 4 is a front side view thereof;
FIG. 5 is a right side view thereof;
FIG. 6 is a back side view thereof; and,
FIG. 7 is a left side view thereof.
The broken lines in the drawing indicate that the outer periphery is indeterminate and does not form part of the claimed design. The broken line showing of the aperture on the inner portion of the surface treating article retainer system does not form part of the claimed design.

1 Claim, 3 Drawing Sheets



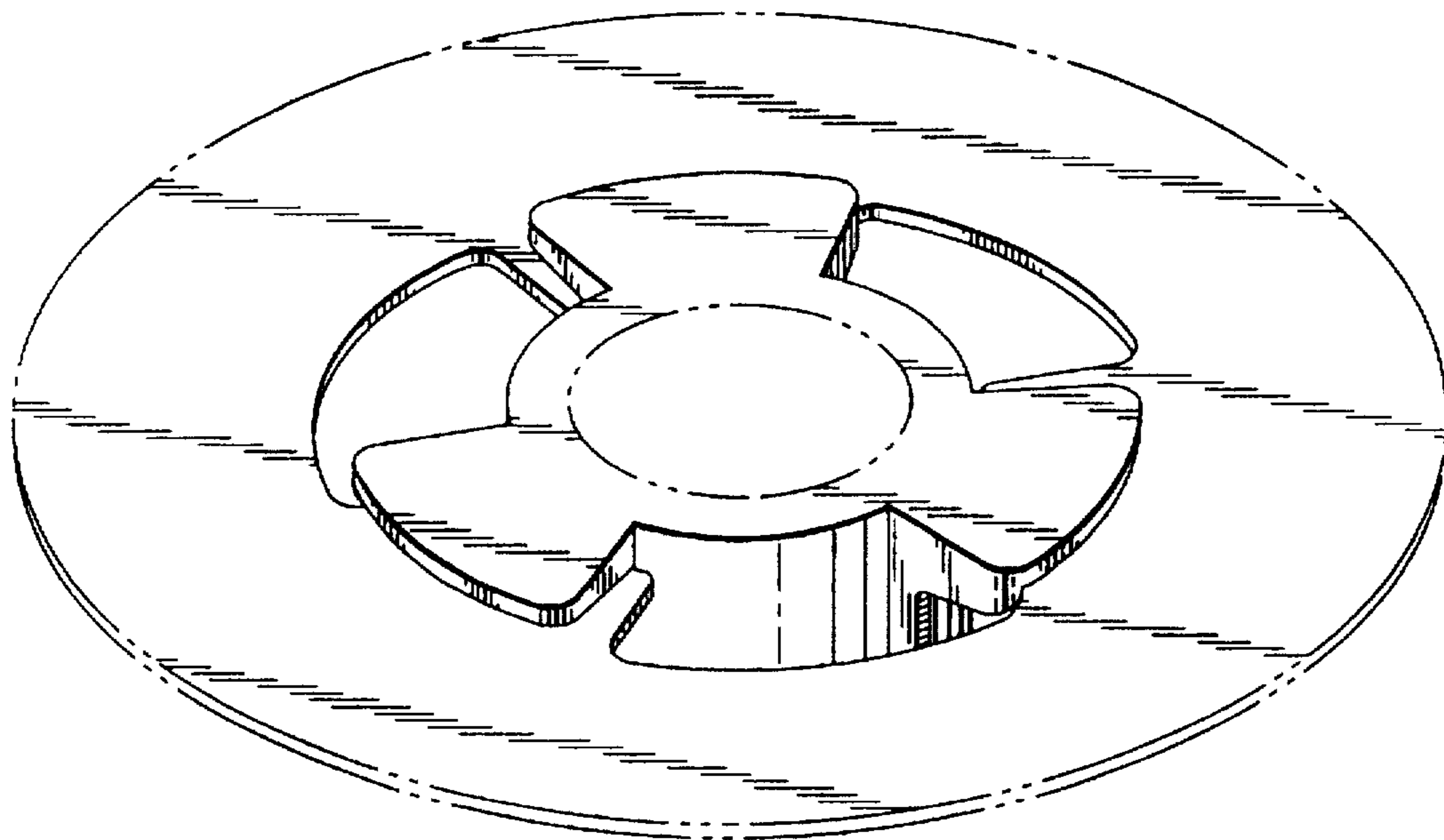


Fig. 1

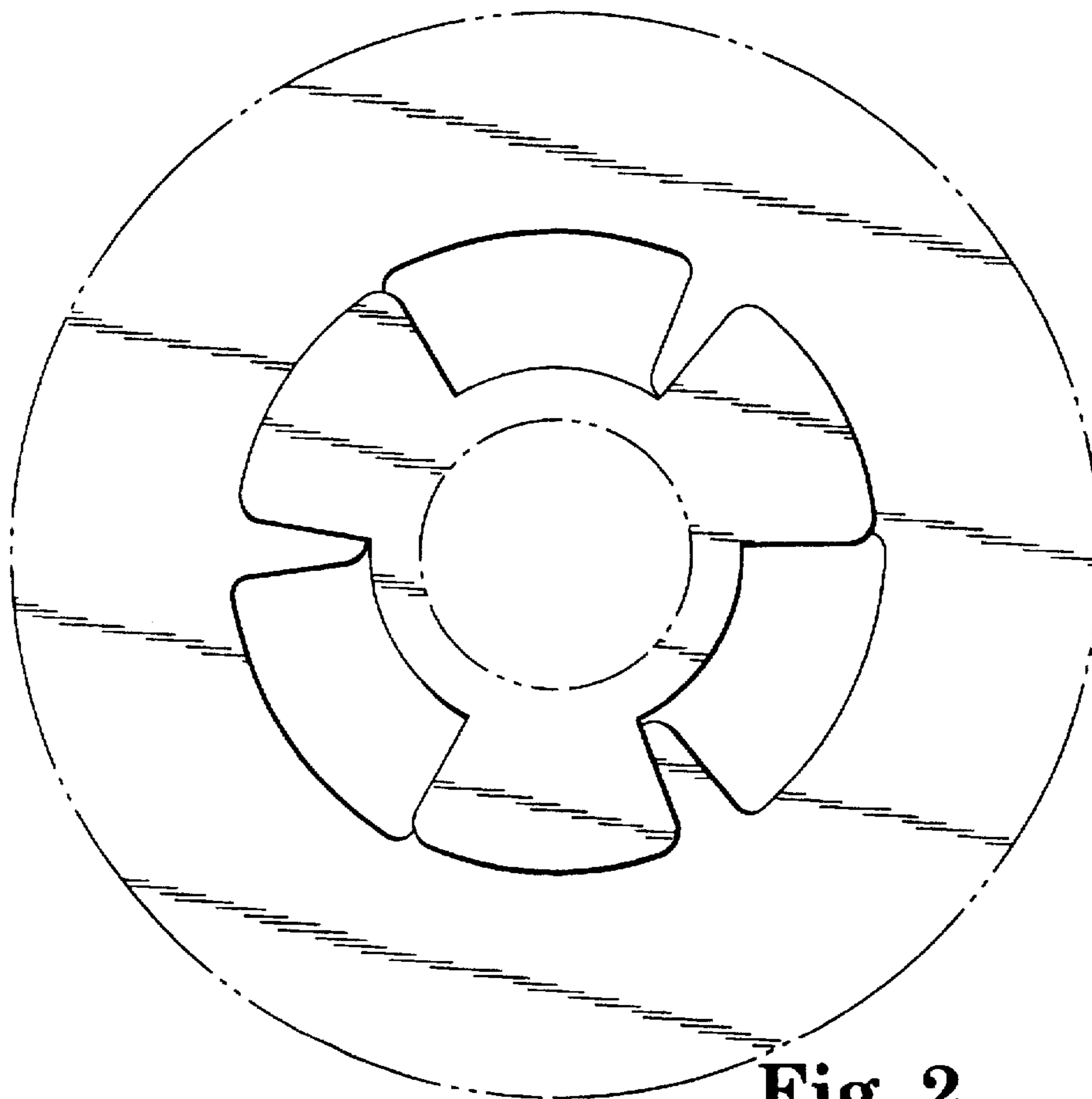


Fig. 2

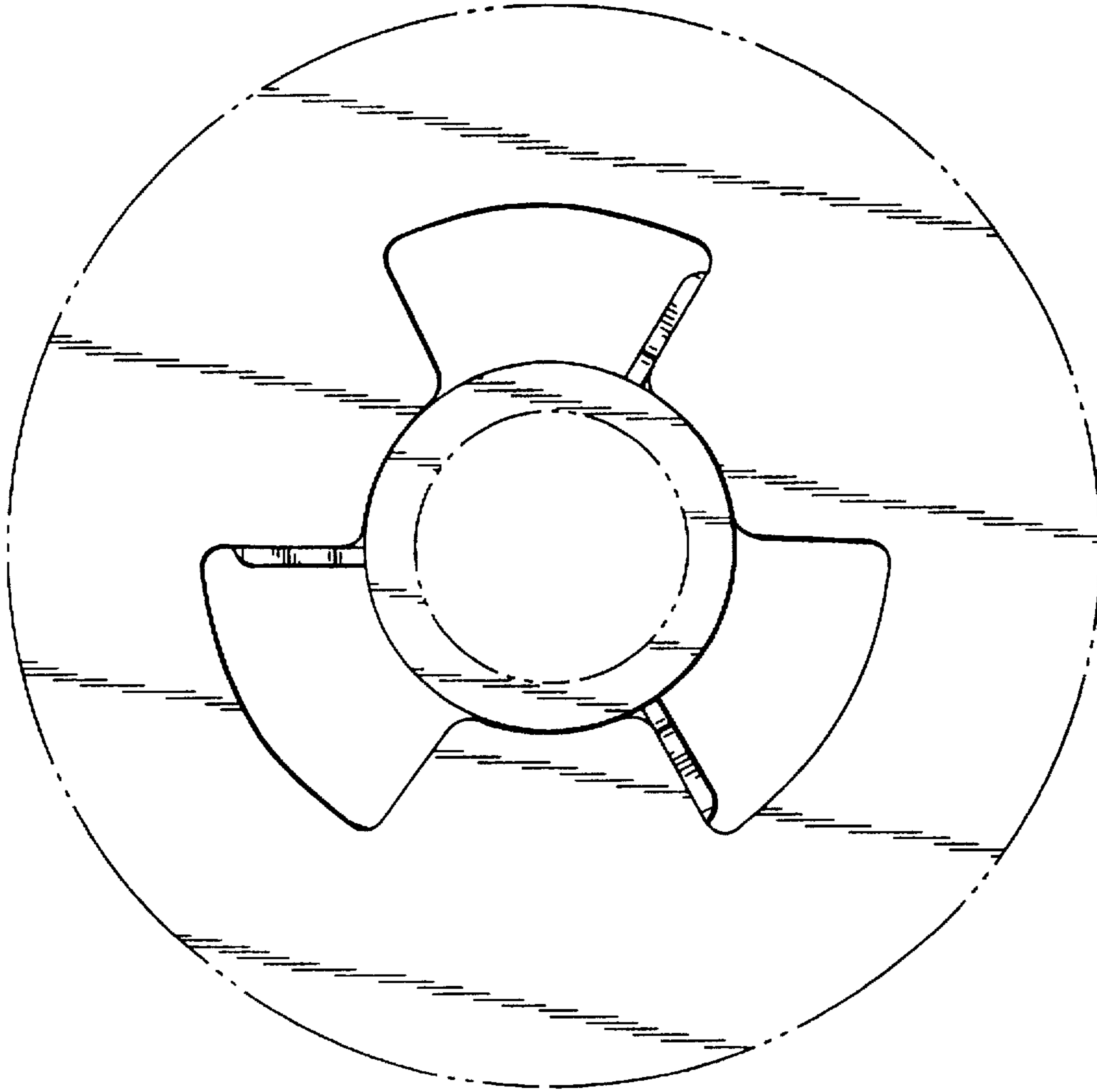


Fig. 3

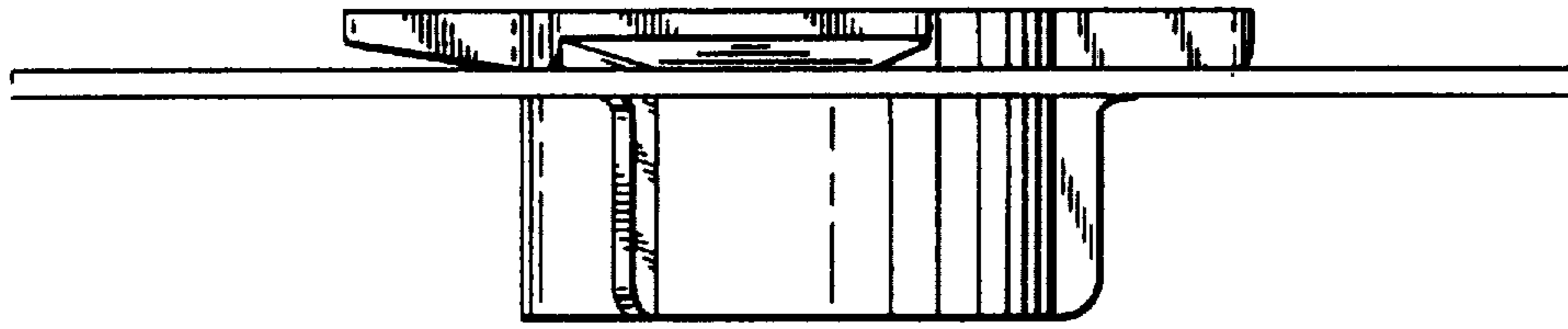


Fig. 4

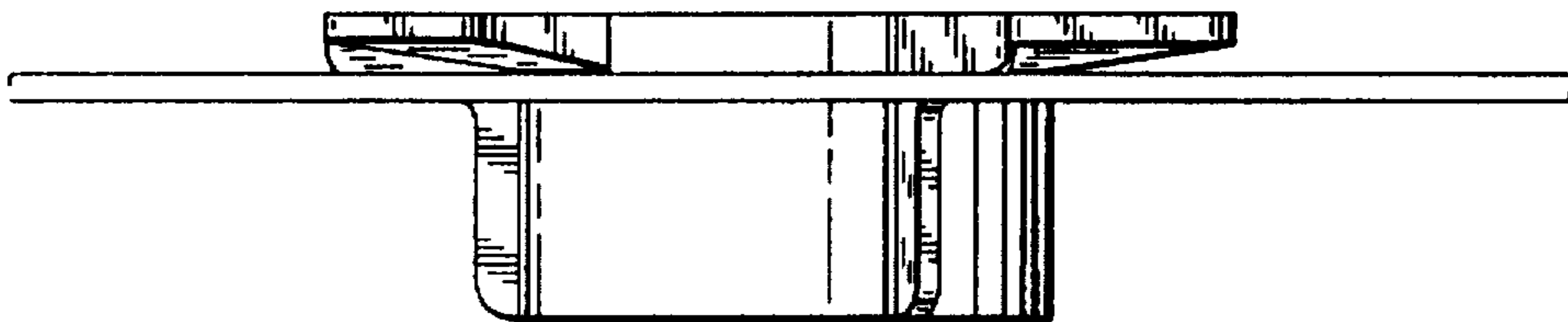


Fig. 5

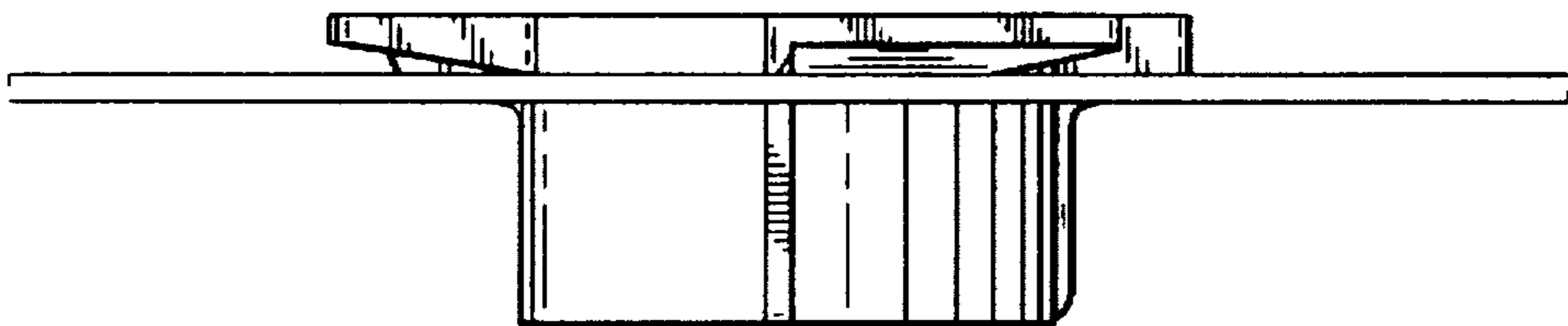


Fig. 6

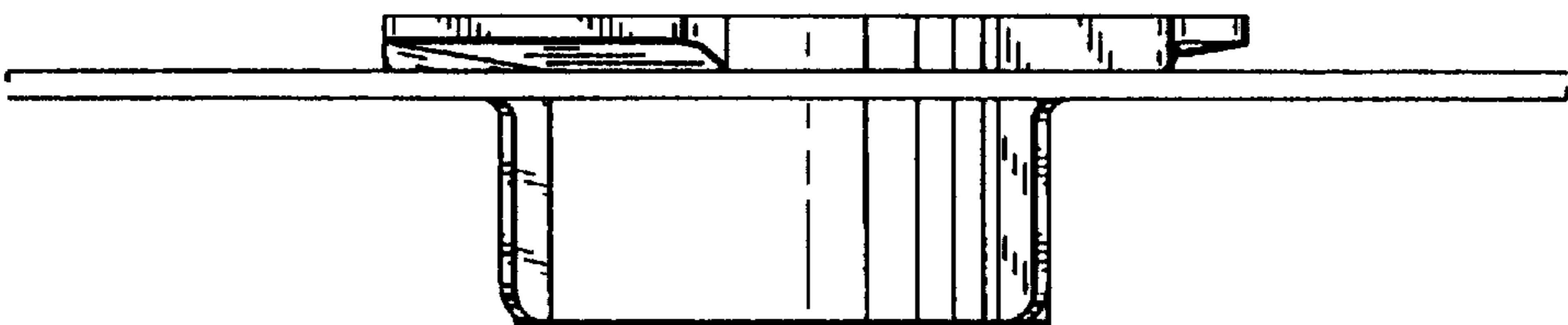


Fig. 7