



US00D394529S

United States Patent [19]
Glisch

[11] **Patent Number:** **Des. 394,529**
[45] **Date of Patent:** ****May 19, 1998**

[54] **MULTI-PURPOSE CLEANING APPLICATOR**

D. 142,416 9/1945 Holt D32/20

[76] **Inventor:** **Miro Glisch**, 96 Spadina Avenue, Suite 609, Toronto, Ont., Canada

Primary Examiner—Sandra L. Morris
Assistant Examiner—Mitchell I. Siegel

[**] **Term:** **14 Years**

[57] **CLAIM**

[21] **Appl. No.:** **63,486**

The ornamental design for a multi-purpose cleaning applicator, as shown and described.

[22] **Filed:** **Dec. 9, 1996**

DESCRIPTION

[51] **LOC (6) Cl.** **15-05**

FIG. 1 is a three-quarter top view of a multi-purpose cleaning applicator showing a new design;

[52] **U.S. Cl.** **D32/25; D32/15**

FIG. 2 is a top plan view thereof;

[58] **Field of Search** D32/3, 15-20, D32/25; 15/179, 180, 230

FIG. 3 is a side view thereof;

FIG. 4 is an underview thereof;

FIG. 5 is an end view thereof; and

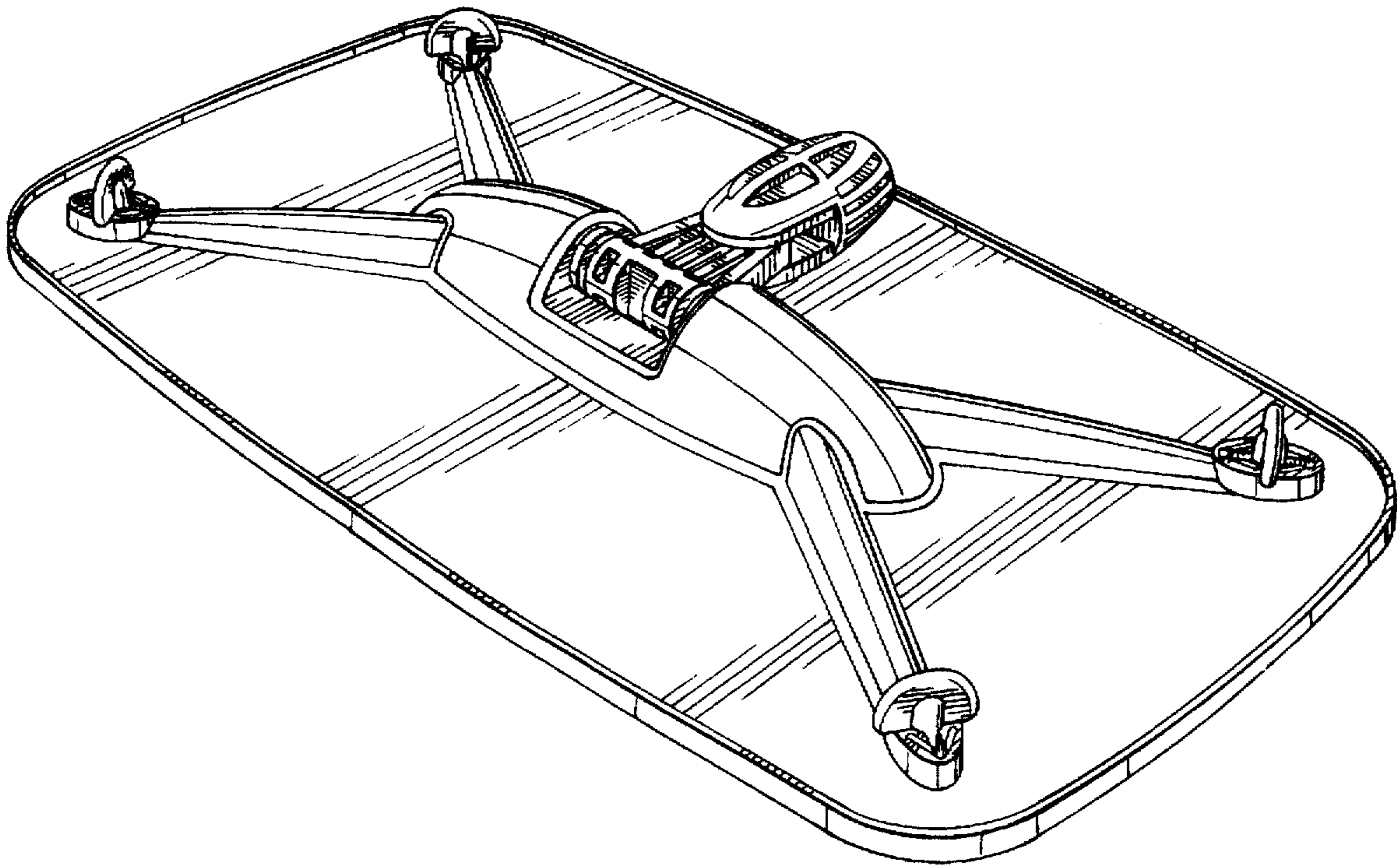
FIG. 6 is a side view from the side opposing that shown in FIG. 3.

[56] **References Cited**

U.S. PATENT DOCUMENTS

- D. 77,492 1/1929 McGee D32/20
- D. 90,703 9/1933 Glover D32/3

1 Claim, 4 Drawing Sheets



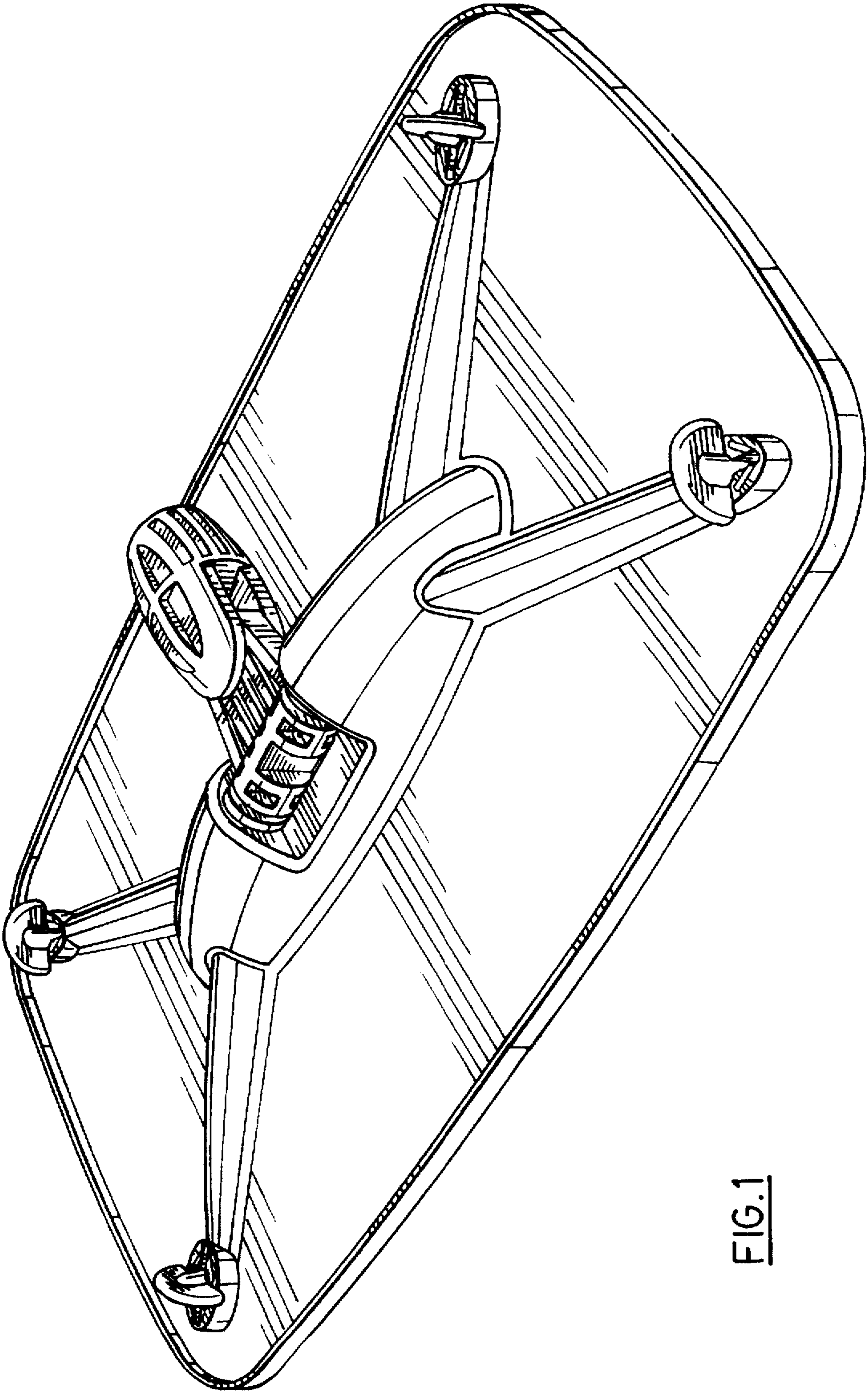


FIG.1

FIG. 2

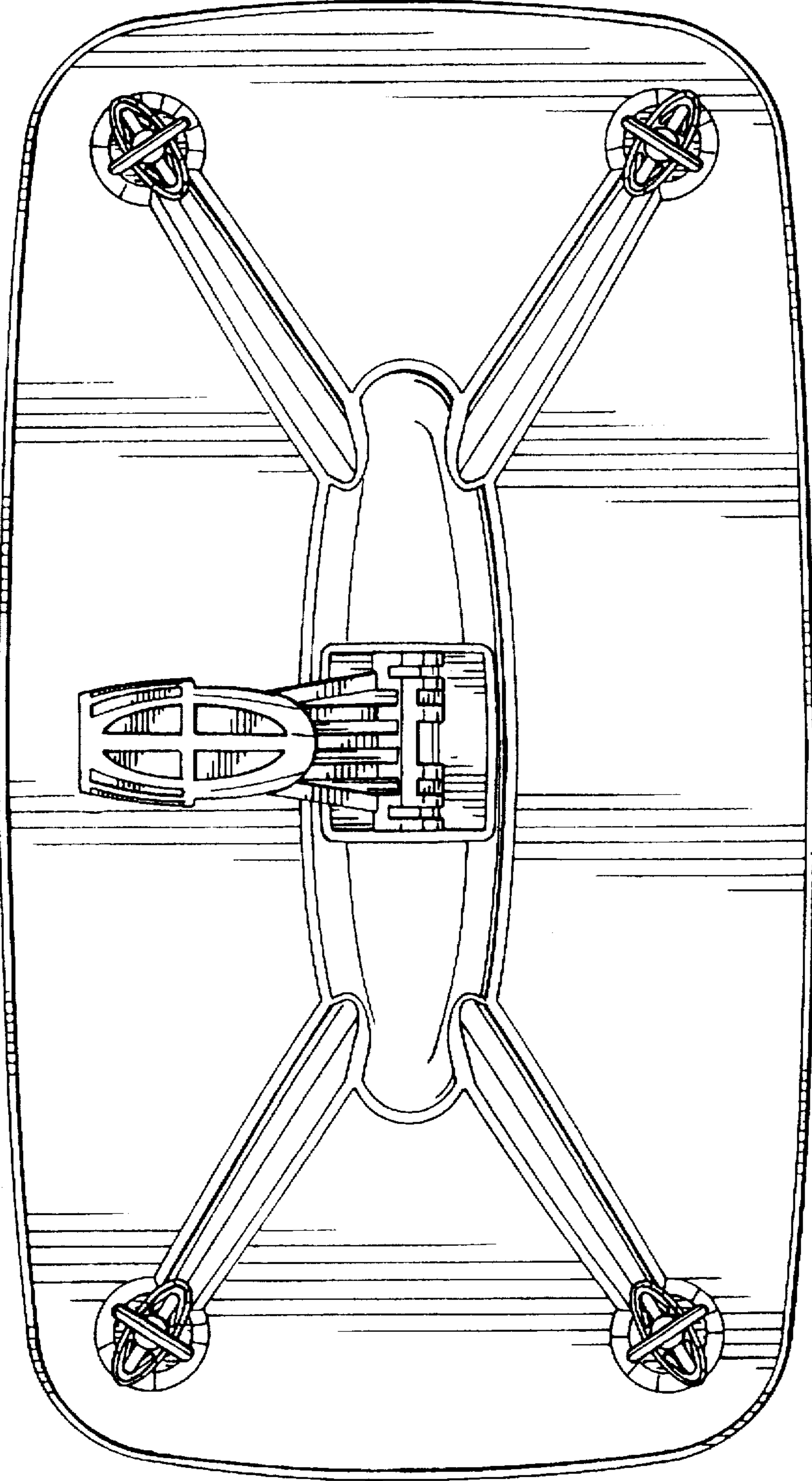


FIG. 3

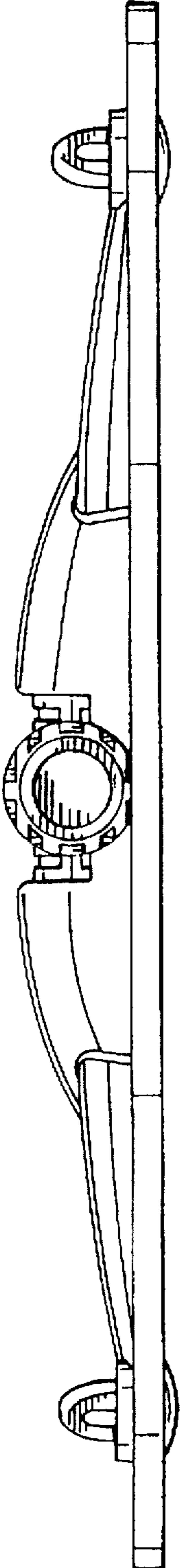


FIG. 4

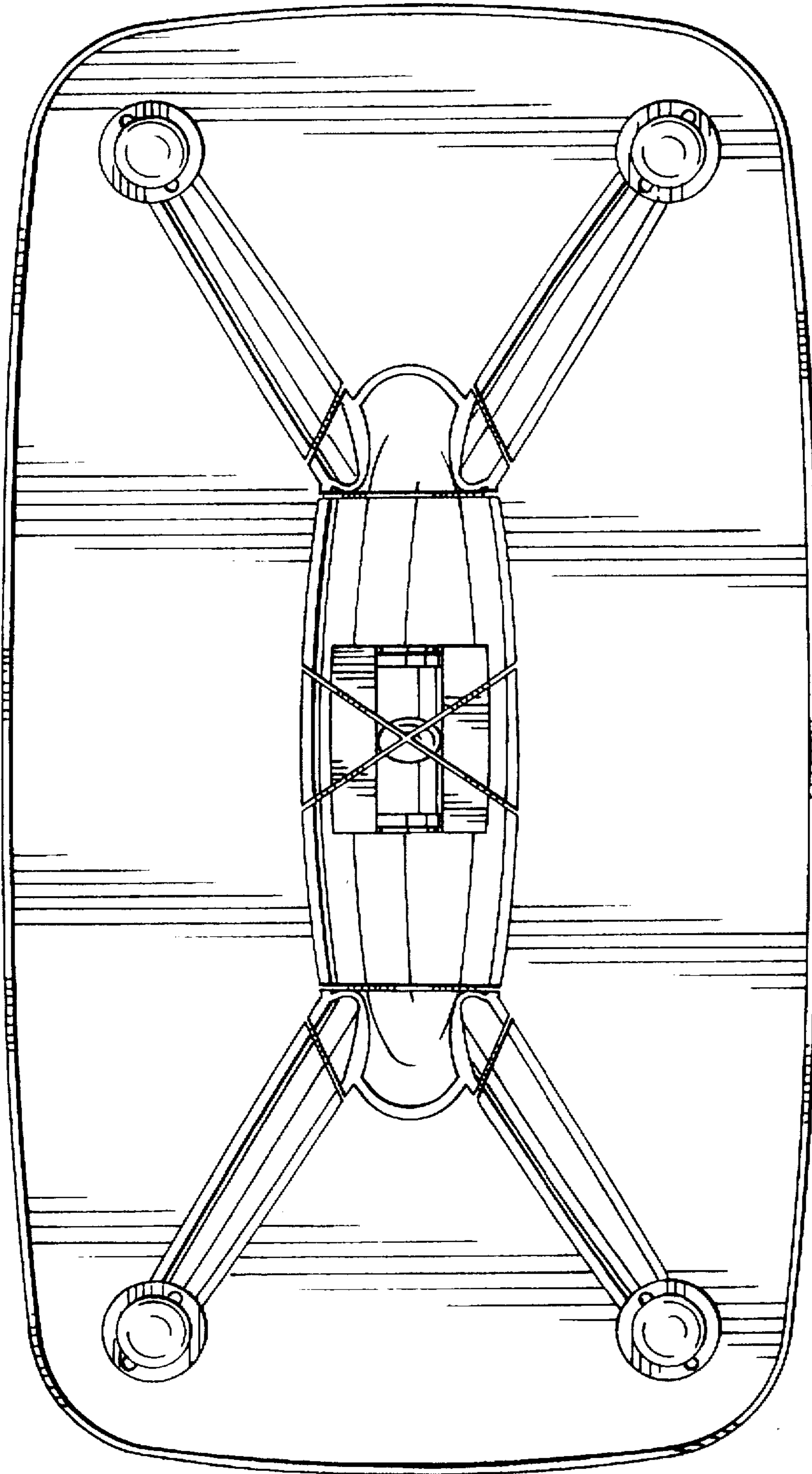


FIG. 5

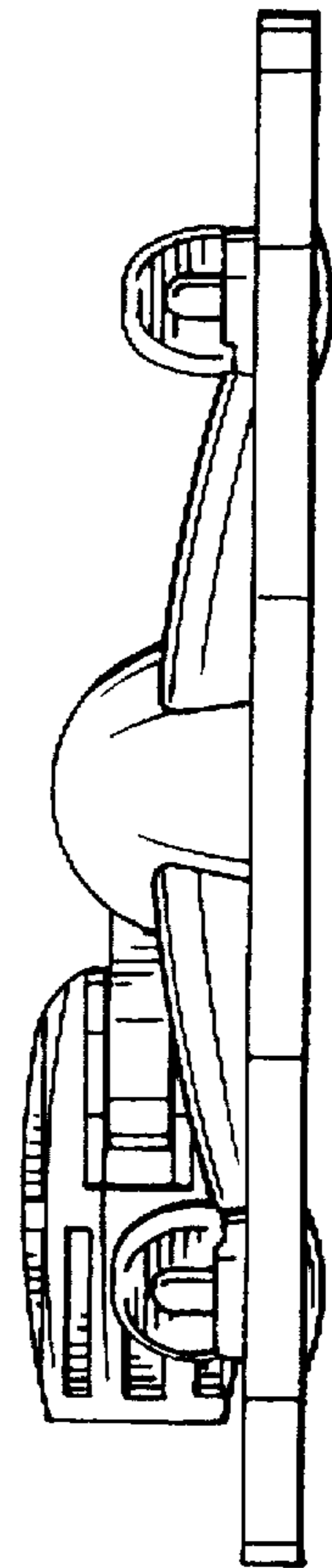


FIG. 6

