



US00D394528S

# United States Patent [19]

[11] Patent Number: **Des. 394,528**

**Pochopien et al.**

[45] Date of Patent: **\*\*May 19, 1998**

[54] **LOW VACUUM CLEANER**

D. 368,993	4/1996	Stutzer et al.	.....	D32/21
D. 373,665	9/1996	Nakamura et al.	.....	D32/21
D. 376,229	12/1996	Hughes	.....	D32/21
D. 377,854	2/1997	Clouet	.....	D32/21
D. 378,452	3/1997	Kohler et al.	.....	D32/21

[75] Inventors: **Pawel Pochopien; Andrzej Smialek,**  
both of Kraków, Poland

[73] Assignee: **Zelmer.** Rzeszow, Poland

*Primary Examiner*—Ruth McInroy  
*Attorney, Agent, or Firm*—Horst M. Kasper

[\*\*] Term: **14 Years**

### [57] CLAIM

[21] Appl. No.: **68,652**

The ornamental design for a vacuum cleaner, as shown and described.

[22] Filed: **Mar. 17, 1997**

[51] LOC (6) Cl. .... **15-05**

### DESCRIPTION

[52] U.S. Cl. .... **D32/21**

FIG. 1 is a perspective view of a vacuum cleaner showing my new design;

[58] Field of Search ..... D32/21, 23, 24,  
D32/31-34; 15/327.1, 327.2, 327.6, 327.7,  
347

FIG. 2 is a top plan view thereof;

FIG. 3 is a front elevational view thereof;

FIG. 4 is a rear elevational view thereof;

FIG. 5 is a left side elevational view thereof;

FIG. 6 is a right side elevational view thereof; and,

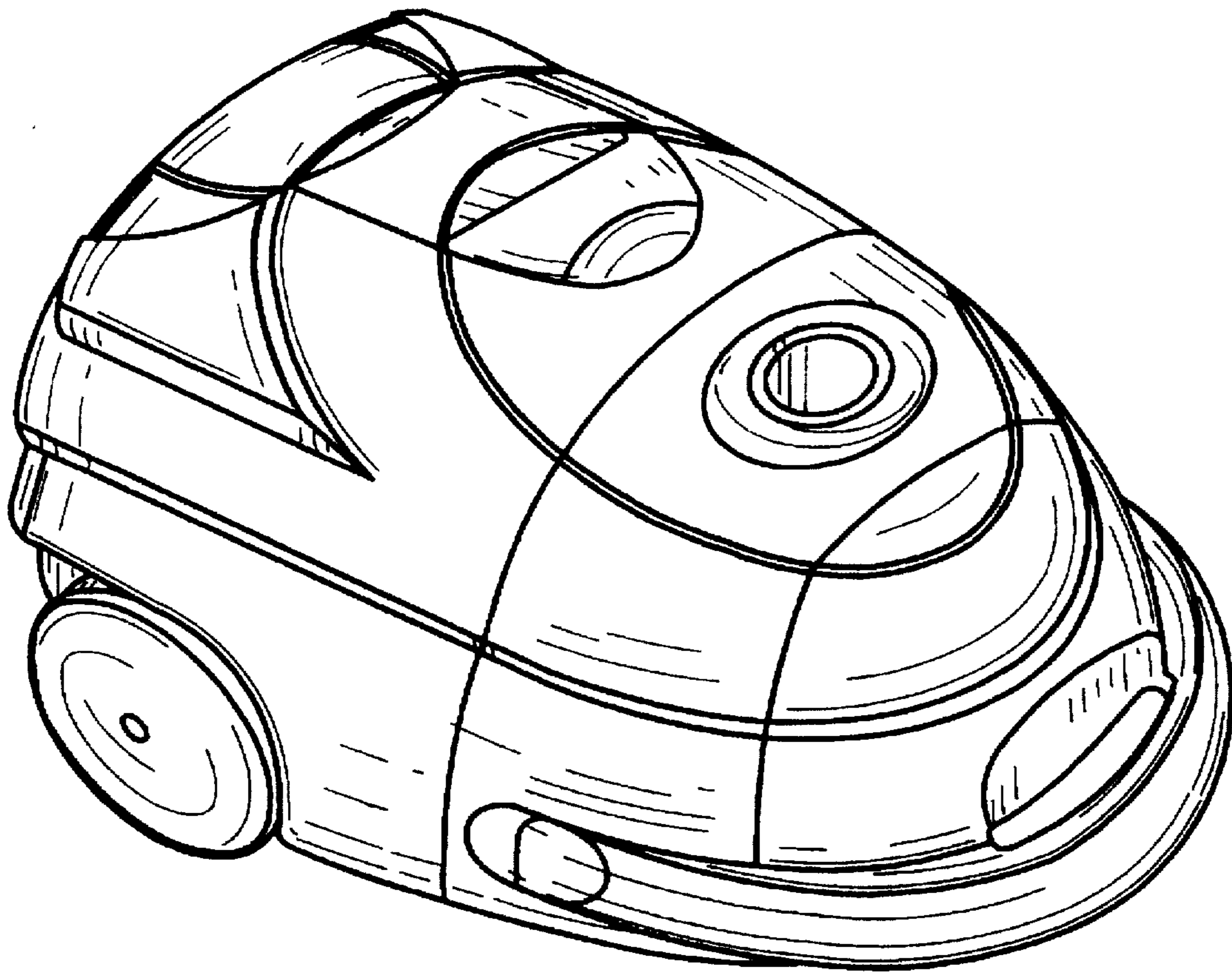
FIG. 7 is a bottom plan view thereof.

### [56] References Cited

#### U.S. PATENT DOCUMENTS

D. 338,293	8/1993	Kojima et al.	.....	D32/21
D. 344,164	2/1994	Kuriya	.....	D32/21
D. 344,165	2/1994	Kuriya	.....	D32/21

**1 Claim, 5 Drawing Sheets**



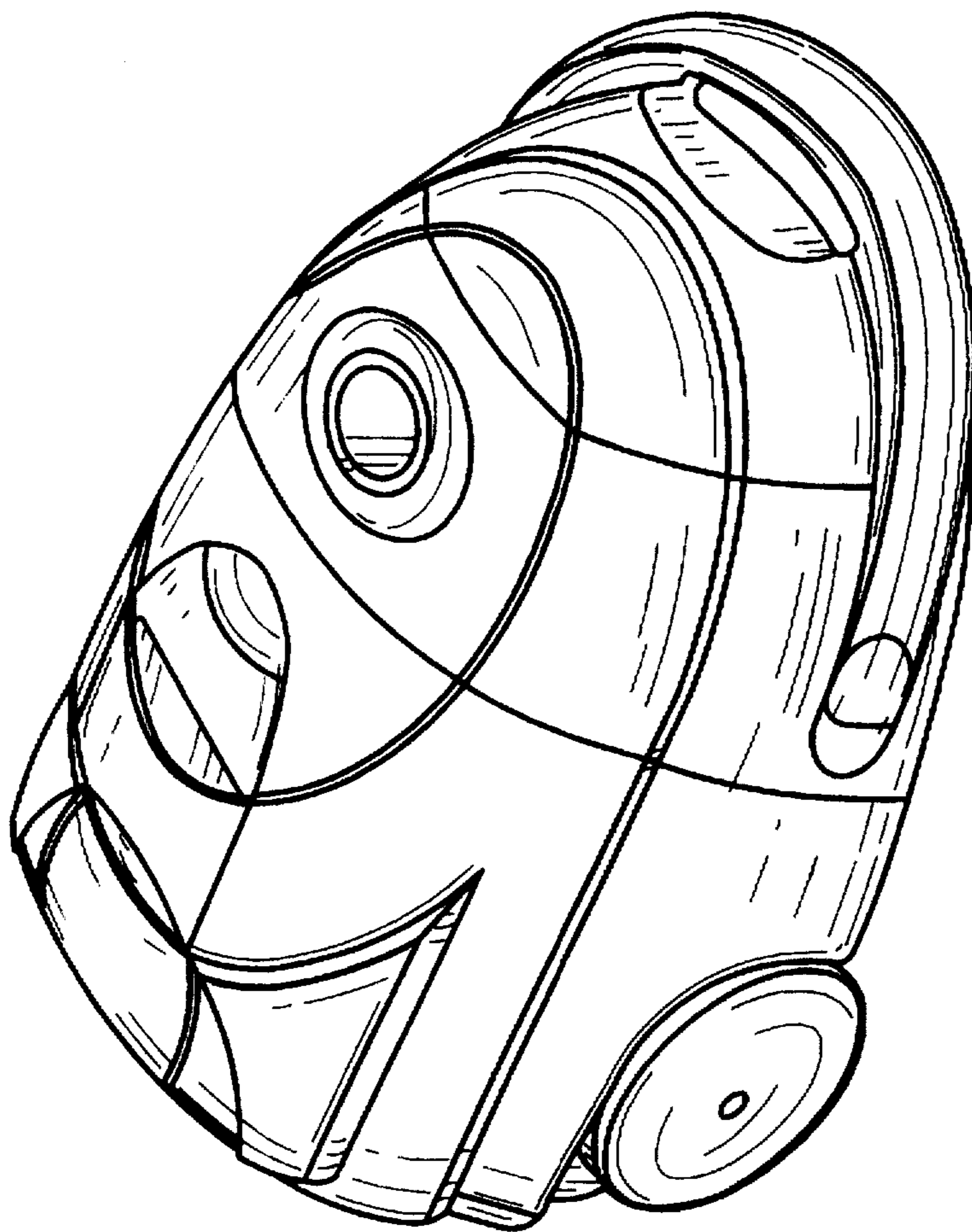


Fig. 1

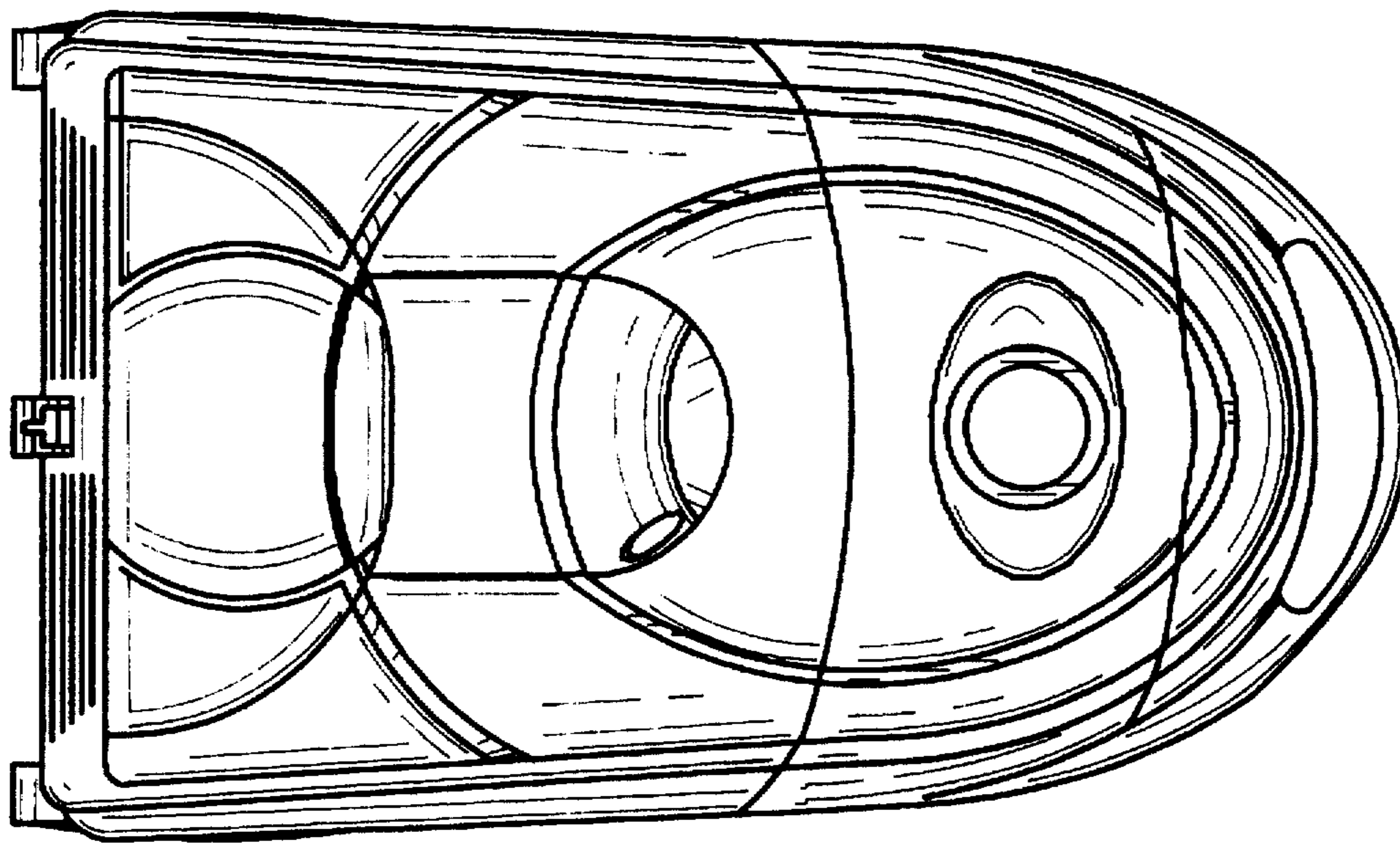


Fig.2

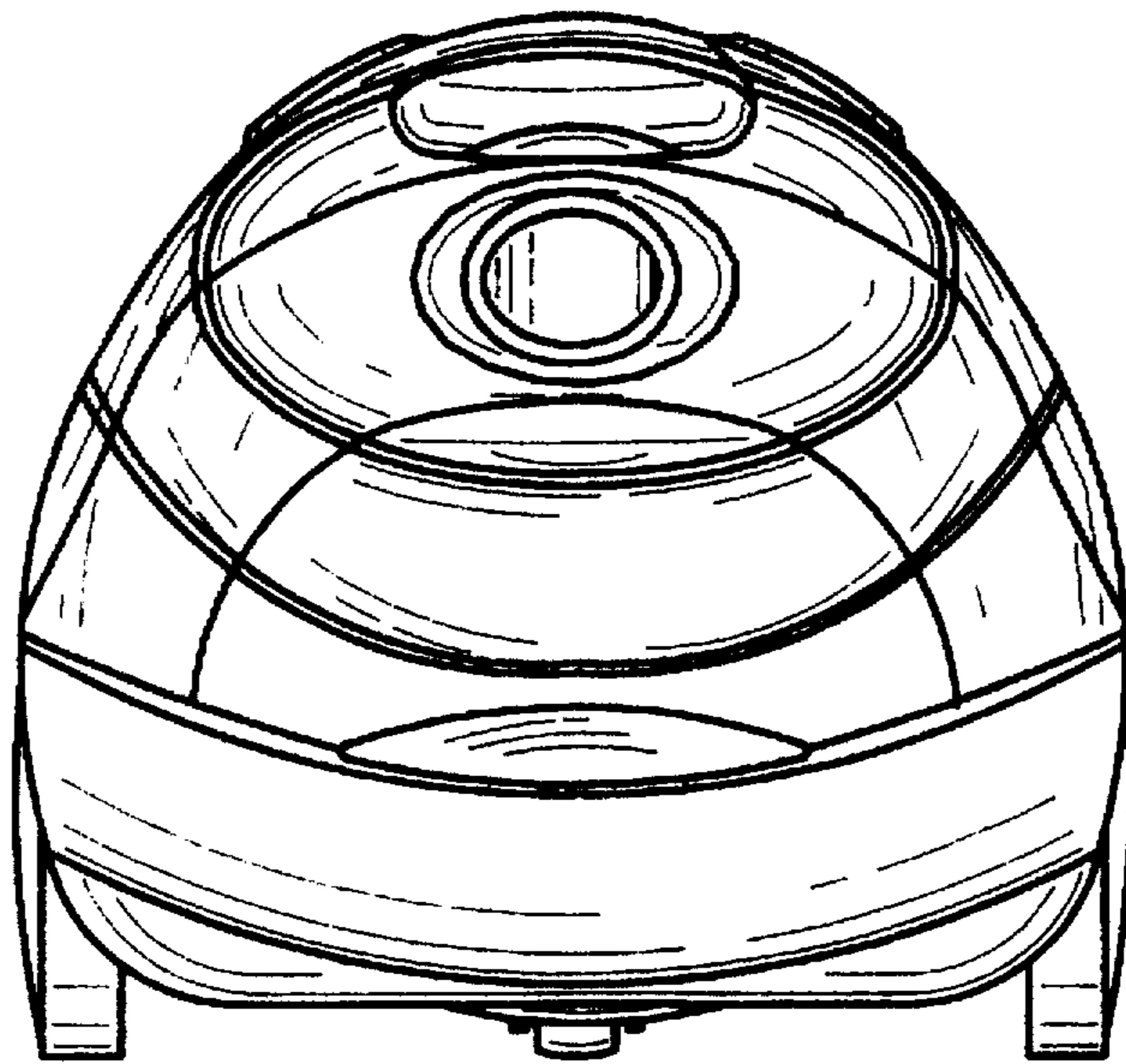


Fig.3

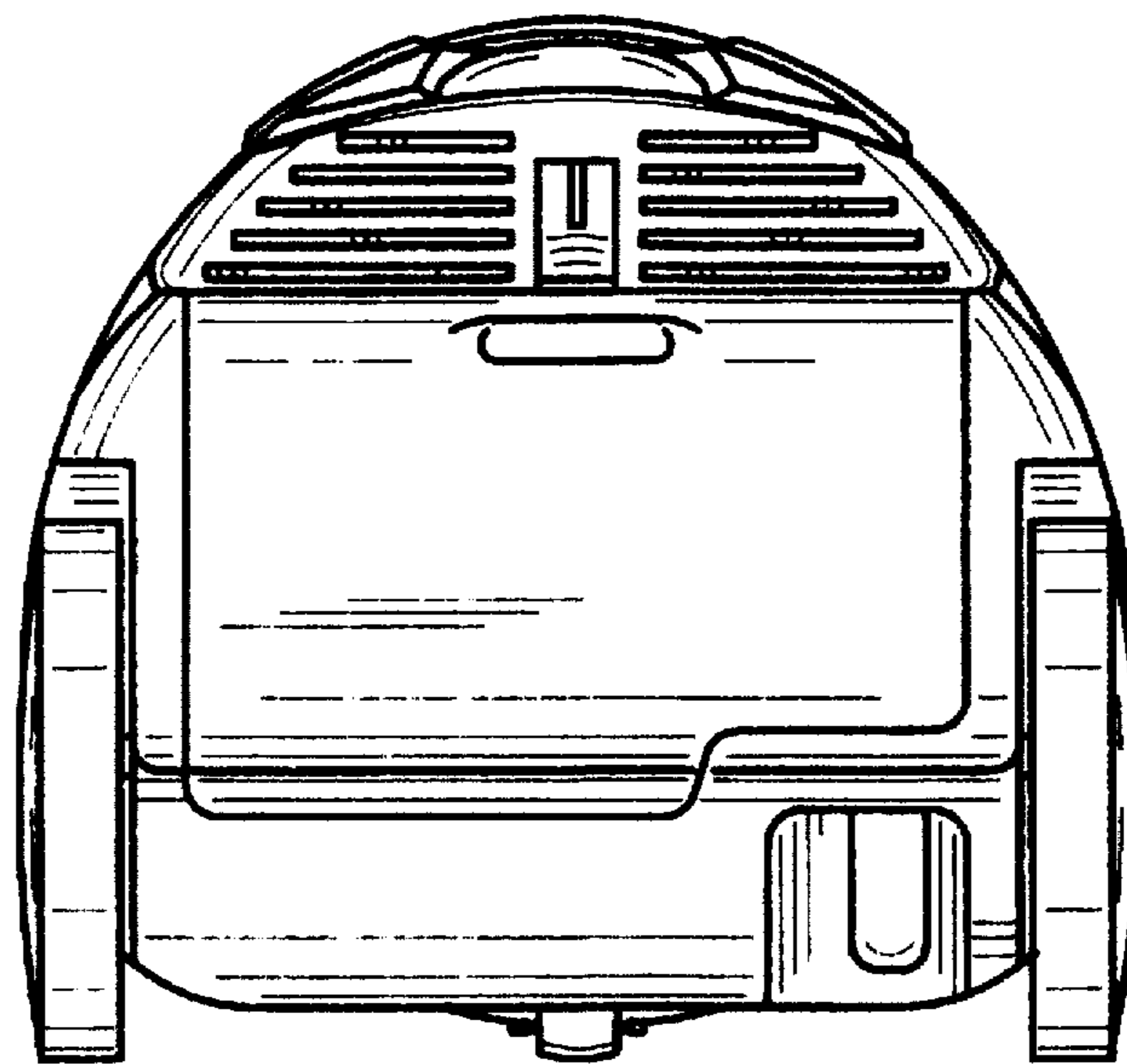


Fig.4

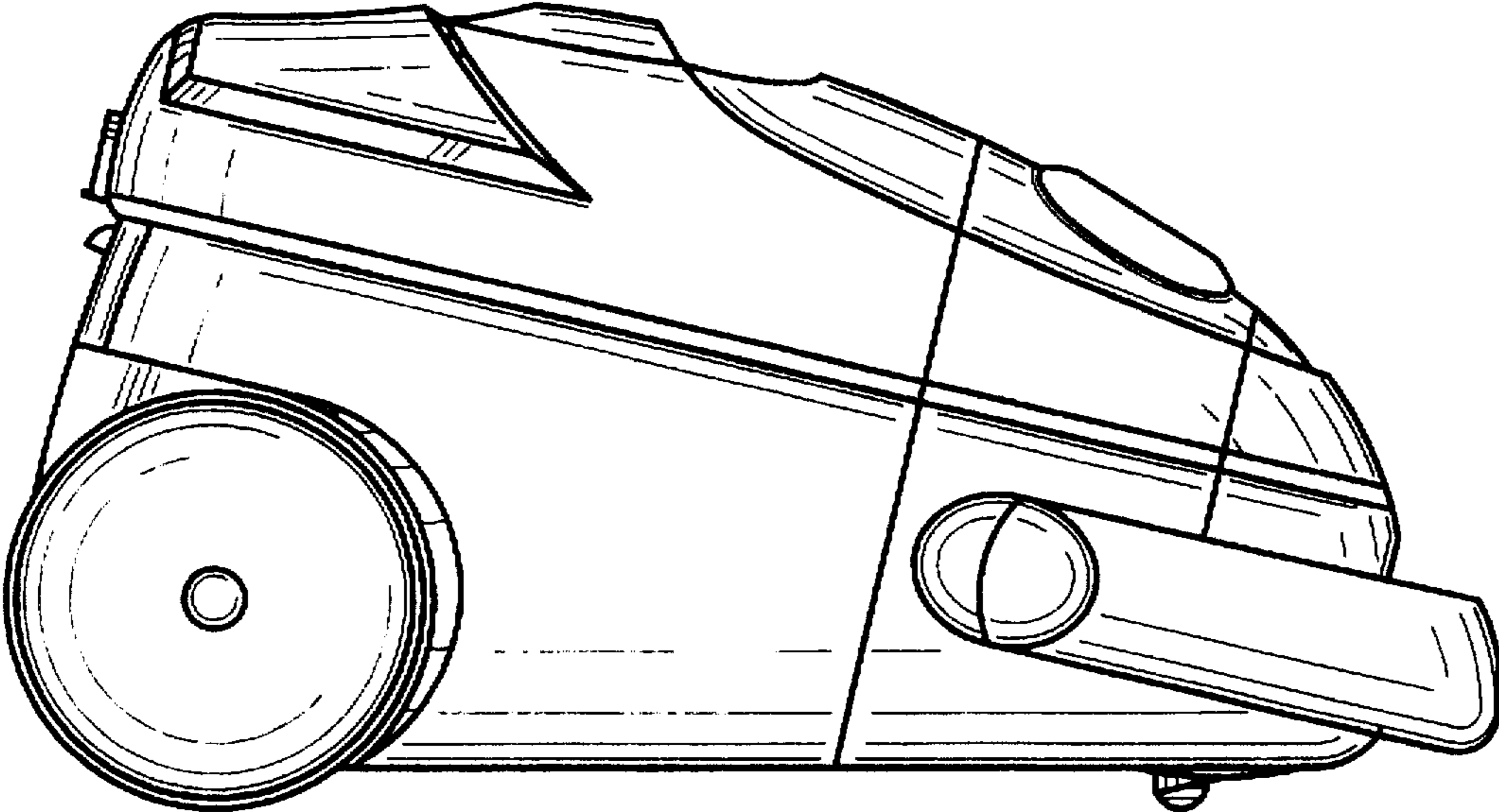


Fig.5

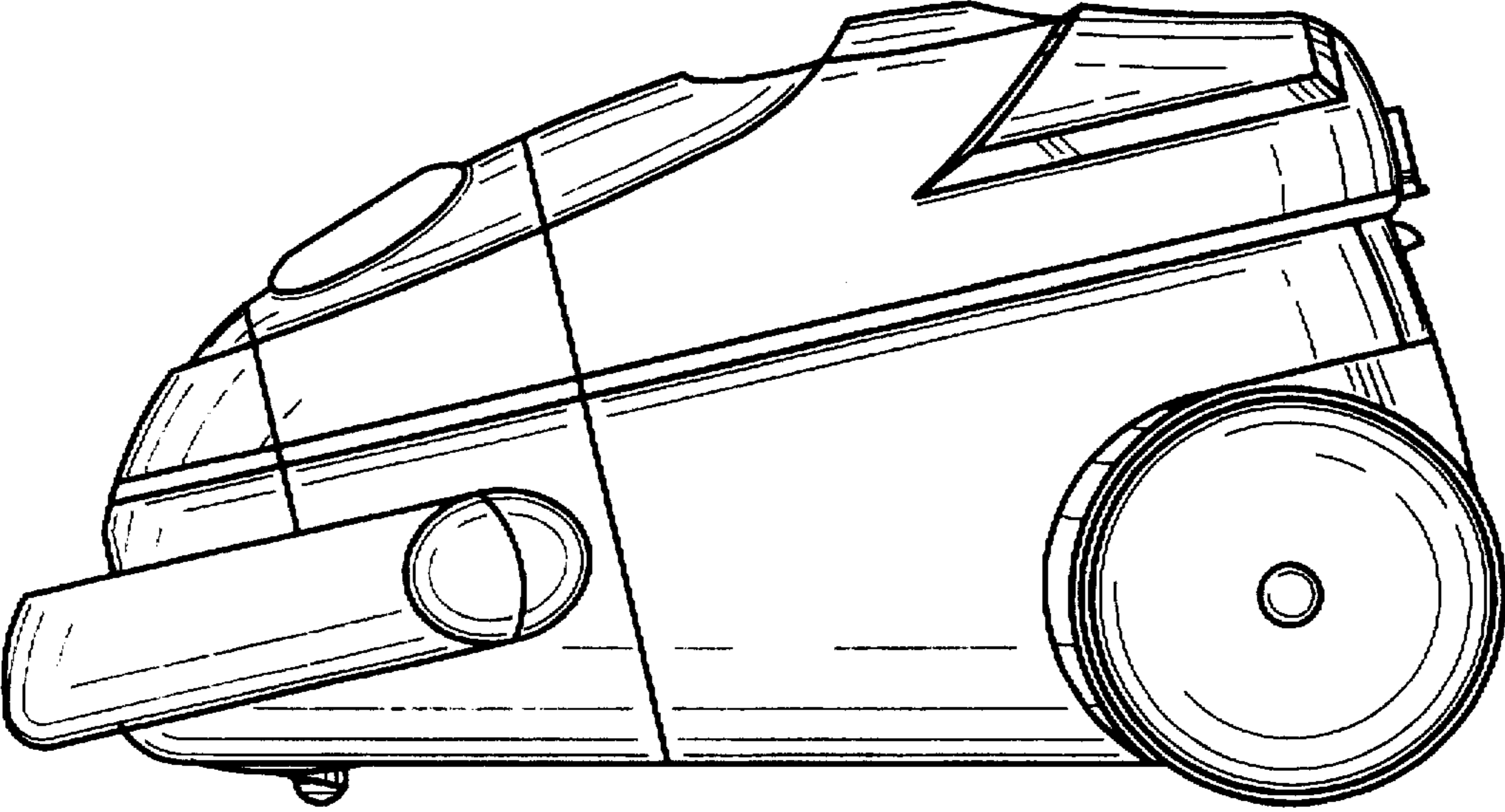


Fig.6

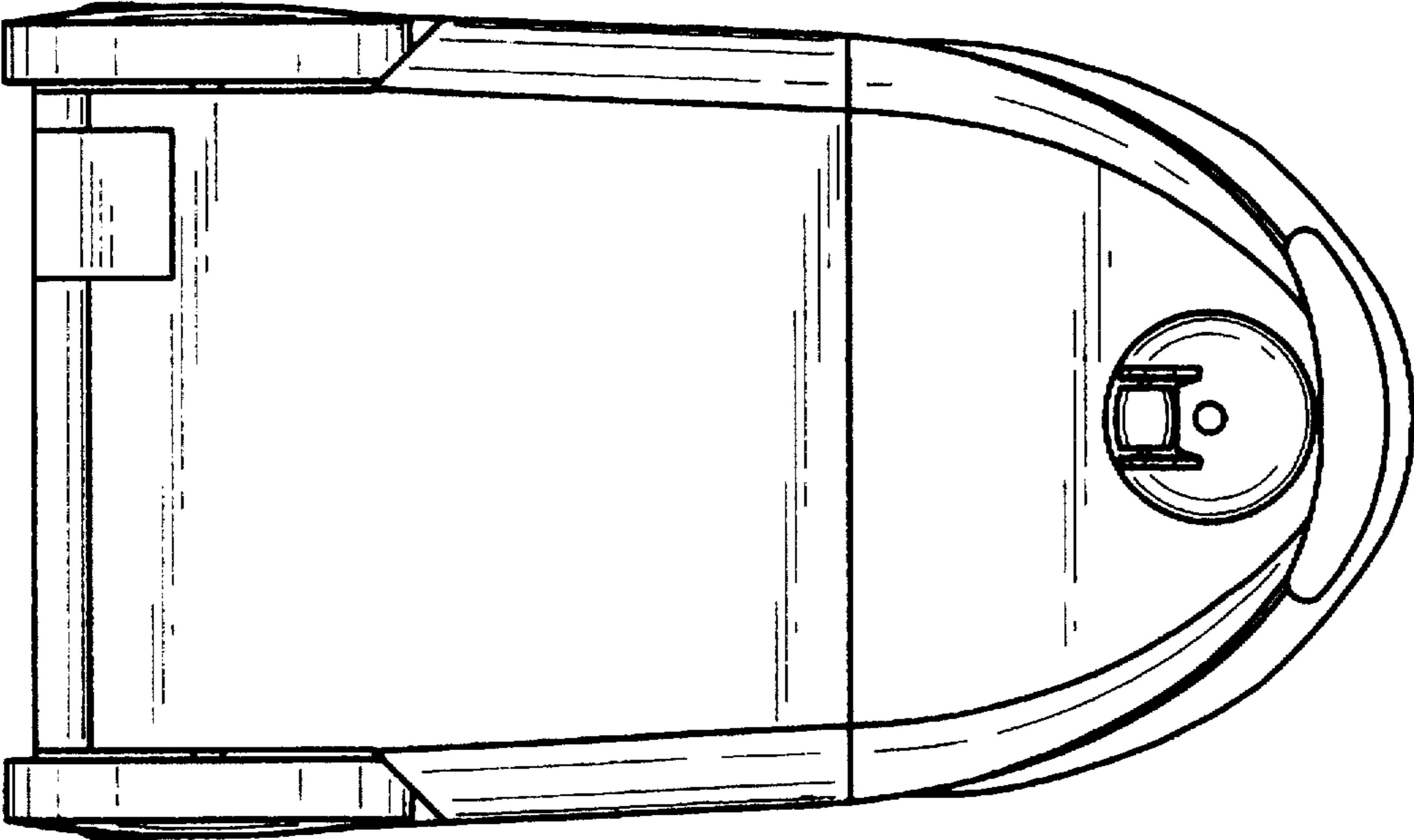


Fig.7