



US00D394527S

# United States Patent [19]

Pochopien et al.

[11] Patent Number: **Des. 394,527**

[45] Date of Patent: **\*\*May 19, 1998**

[54] **VACUUM CLEANER**

[75] Inventors: **Pawel Pochopien; Andrzej Smialek,**  
both of Krakow, Poland

[73] Assignee: **Zelmer, Rzeszow, Poland**

[\*\*] Term: **14 Years**

[21] Appl. No.: **68,651**

[22] Filed: **Mar. 17, 1997**

[51] LOC (6) Cl. .... **15-05**

[52] U.S. Cl. .... **D32/21**

[58] Field of Search ..... D32/21, 23, 24,  
D32/31-34; 15/327.1, 327.2, 327.6, 327.7,  
347

[56] **References Cited**

**U.S. PATENT DOCUMENTS**

- D. 338,293 8/1993 Kojima et al. .... D32/21
- D. 344,164 2/1994 Kuriya ..... D32/21
- D. 344,165 2/1994 Kuriya ..... D32/21

- D. 368,993 4/1996 Stutzer et al. .... D32/21
- D. 373,665 9/1996 Nakamura et al. .... D32/21
- D. 376,229 12/1996 Hughes ..... D32/21
- D. 377,854 2/1997 Clouet ..... D32/21
- D. 378,452 3/1997 Kohler et al. .... D32/21

*Primary Examiner*—Ruth McInroy  
*Attorney, Agent, or Firm*—Horst M. Kasper

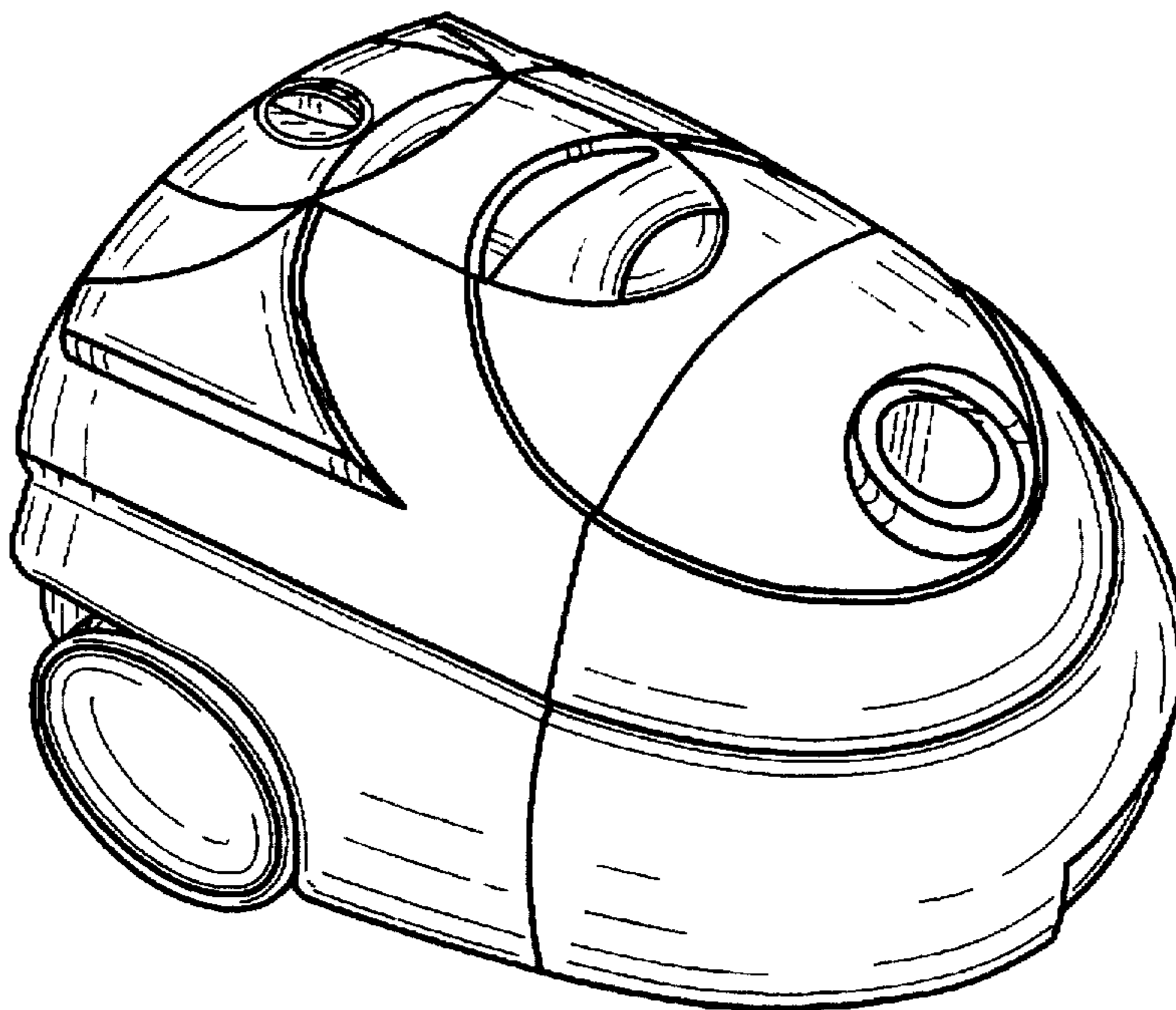
[57] **CLAIM**

The ornamental design for a vacuum cleaner, as shown and described.

**DESCRIPTION**

FIG. 1 is a perspective view of a vacuum cleaner showing my new design;  
FIG. 2 is a top plan view thereof;  
FIG. 3 is a front elevational view thereof;  
FIG. 4 is a rear elevational view thereof;  
FIG. 5 is a left side elevational view thereof;  
FIG. 6 is a right side elevational view thereof; and,  
FIG. 7 is a bottom plan view thereof.

**1 Claim, 5 Drawing Sheets**



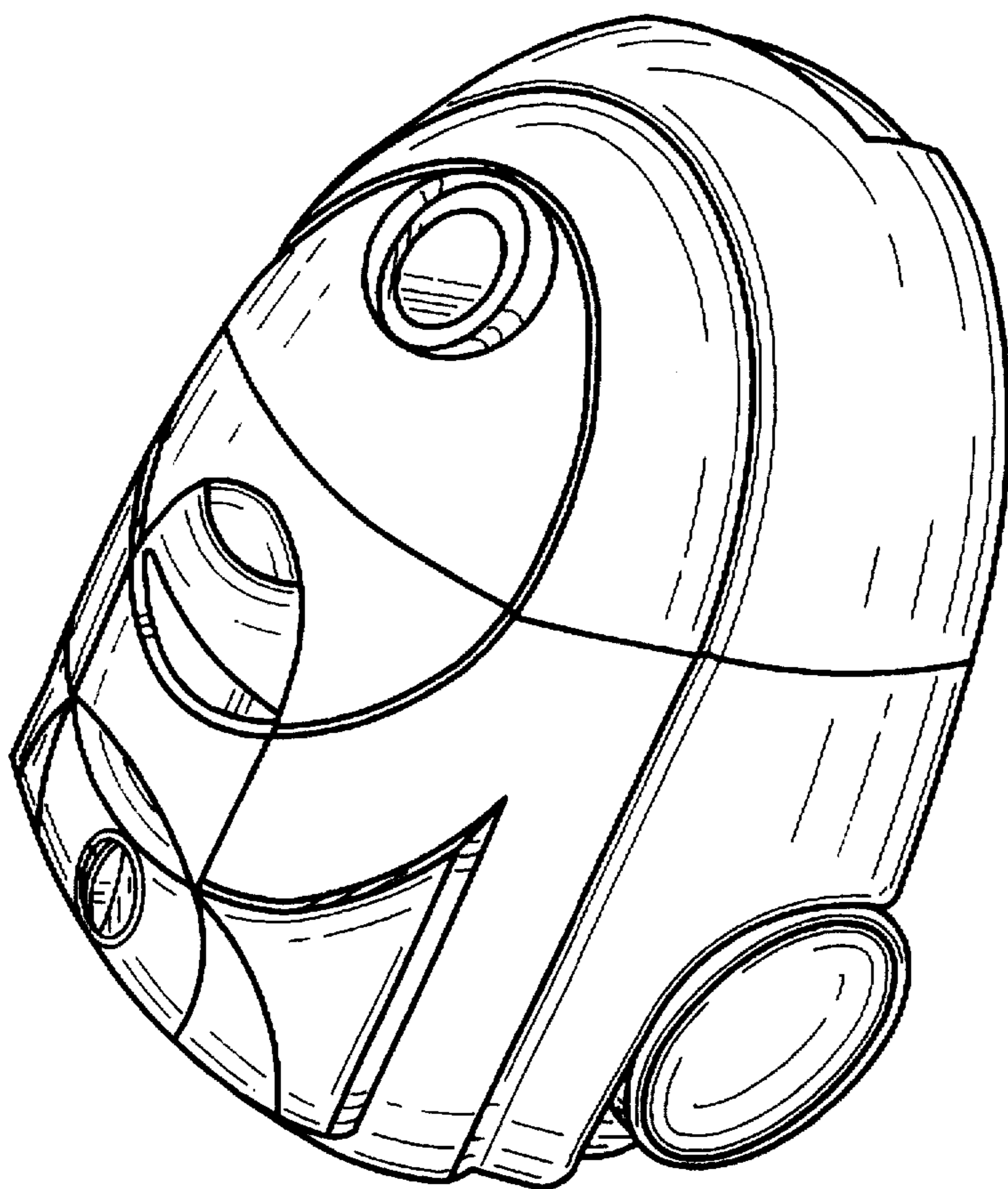


Fig. 1

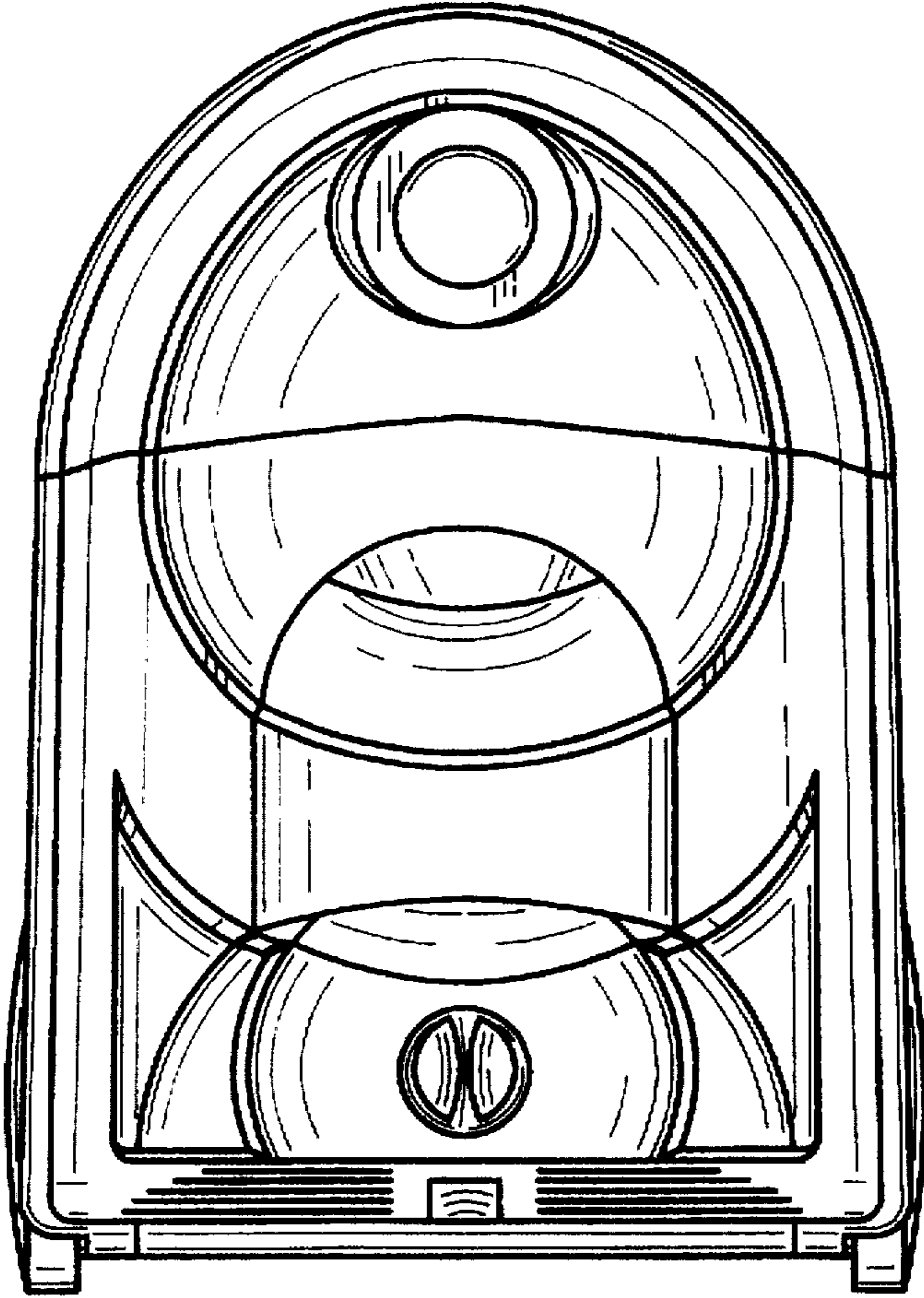


Fig.2

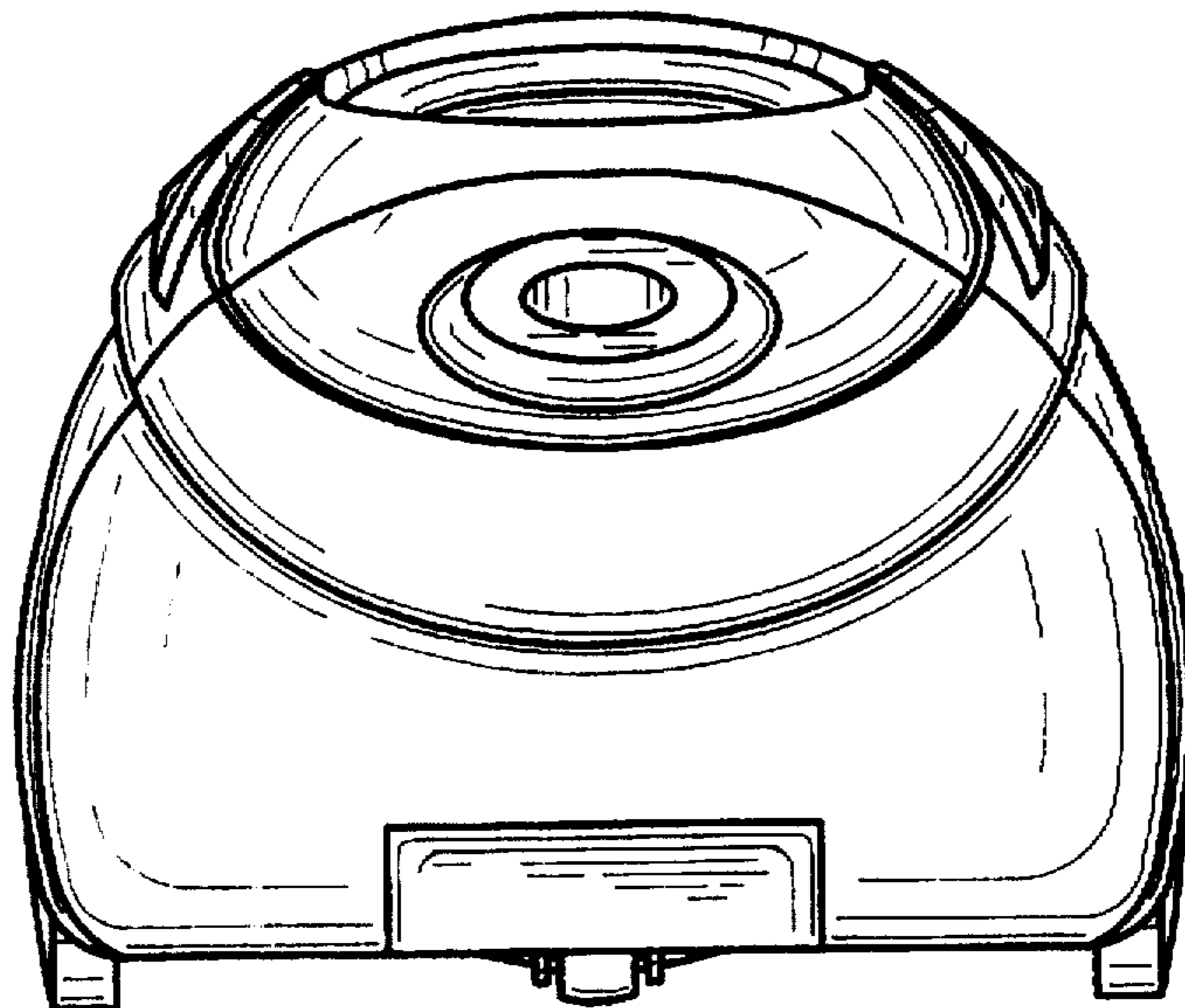


Fig.3

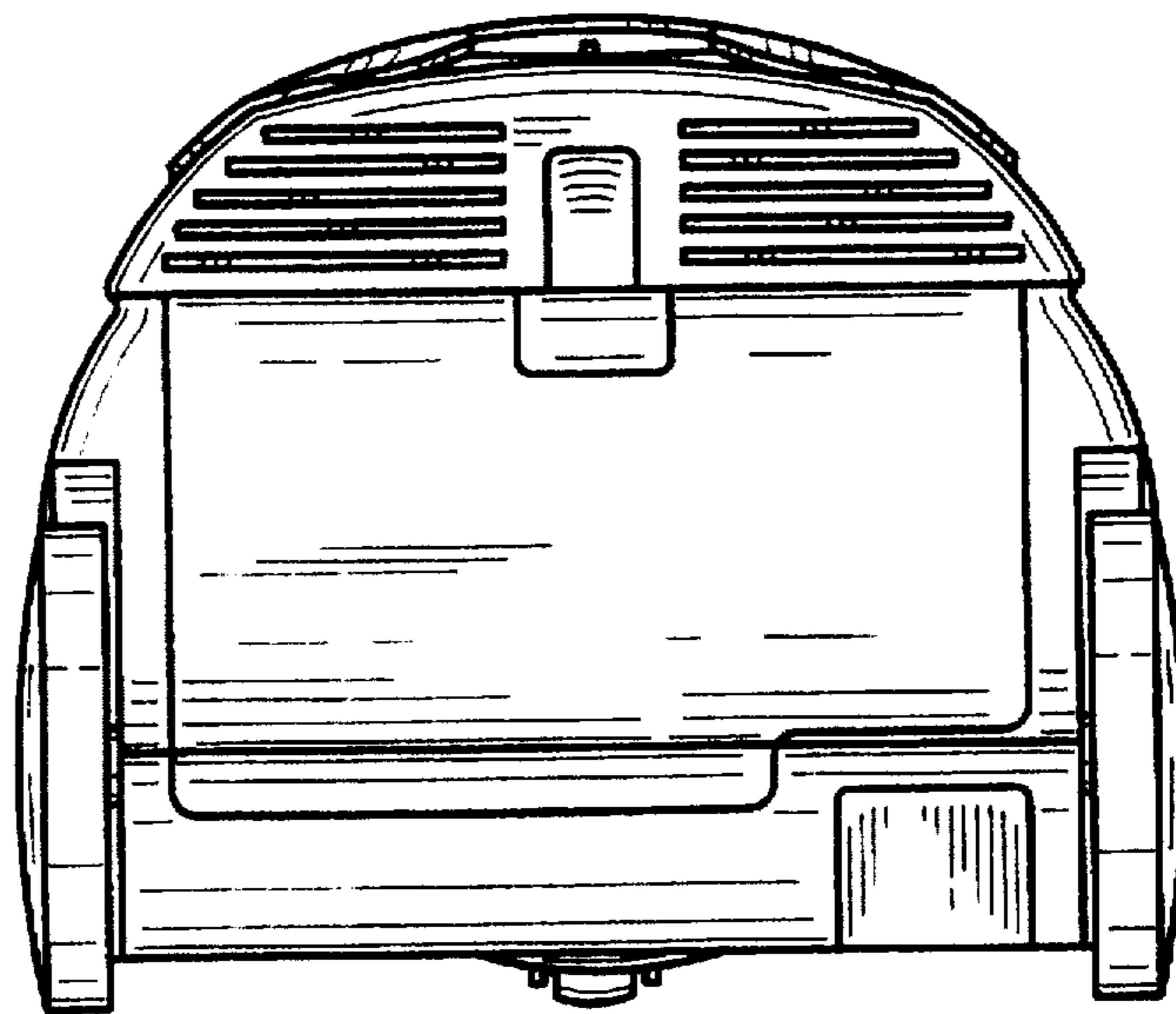


Fig.4



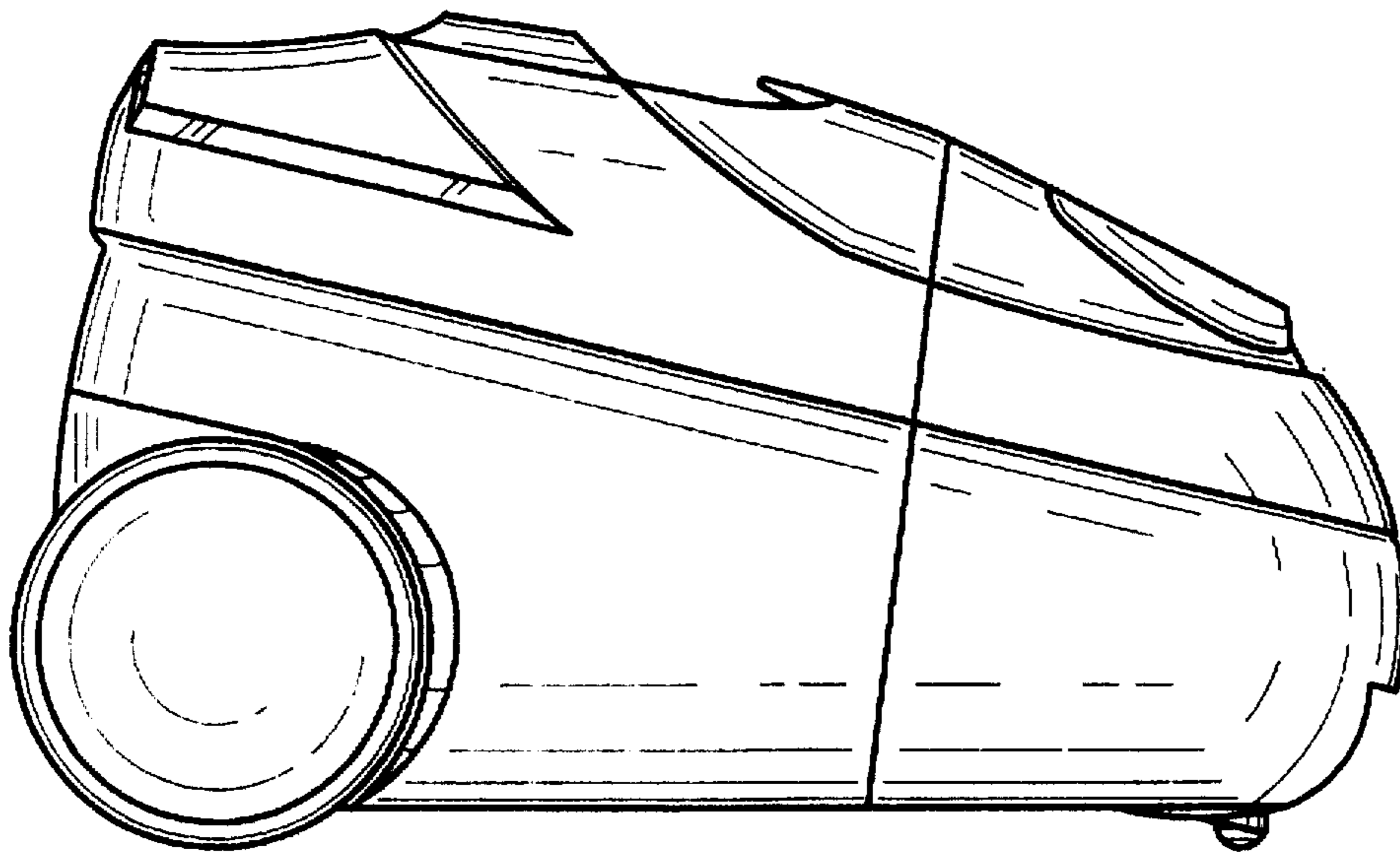


Fig.5

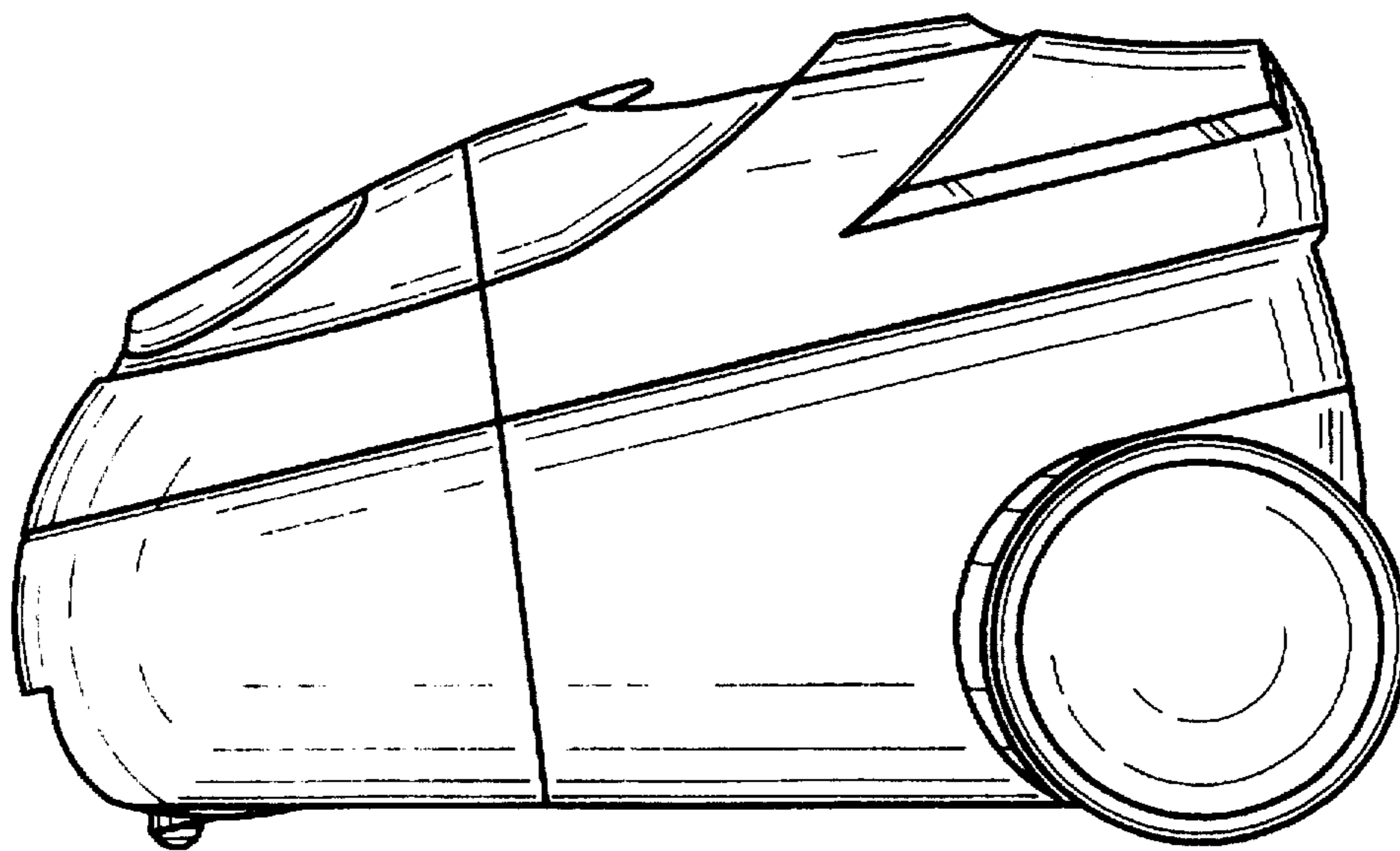


Fig.6

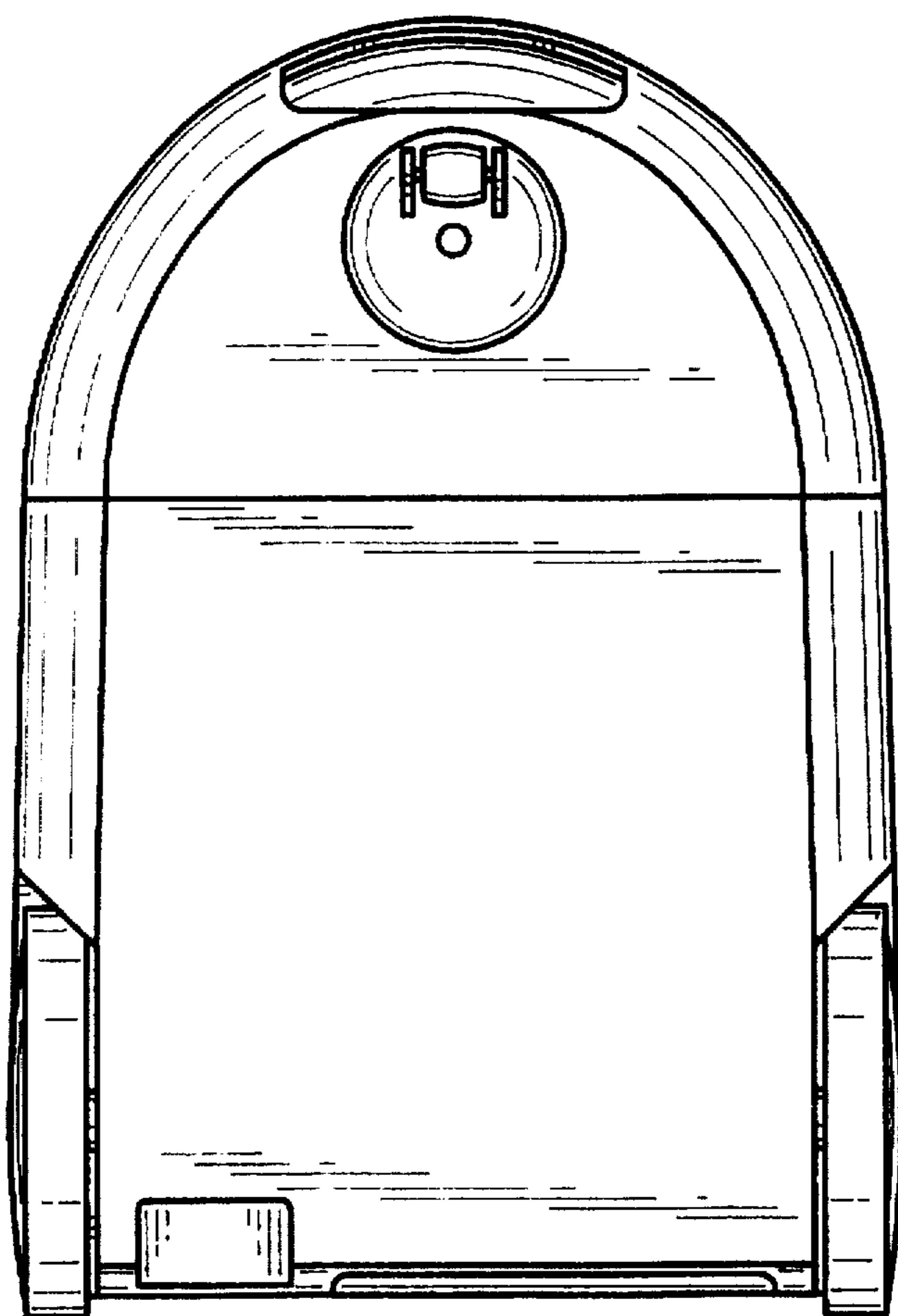


Fig. 7