



US00D394525S

United States Patent [19]

Simmons

[11] Patent Number: **Des. 394,525**

[45] Date of Patent: ****May 19, 1998**

[54] SAFETY STIRRUP

[76] Inventor: **Jimmie D. Simmons**, Mid-America Plastics, 110 Mid-America Dr., Trenton, Tenn. 38382

[**] Term: **14 Years**

[21] Appl. No.: **70,740**

[22] Filed: **Apr. 8, 1997**

[51] LOC (6) Cl. **30-04**

[52] U.S. Cl. **D30/142**

[58] Field of Search **D30/142; 54/47, 54/49**

153628	7/1904	Germany	54/47
2183437	6/1987	United Kingdom .	
2274381	7/1994	United Kingdom .	

Primary Examiner—Cathy Anne MacCormac
Attorney, Agent, or Firm—Richard C. Litman

[57] CLAIM

The ornamental design for a safety stirrup, as shown and described.

DESCRIPTION

FIG. 1 is a perspective view of a first embodiment of a safety stirrup showing my new design; FIG. 2 is a front elevational view of the first embodiment; FIG. 3 is a rear elevational view of the first embodiment; FIG. 4 is a top view of the first embodiment; FIG. 5 is a bottom view of the first embodiment; FIG. 6 is a left side elevational view of the first embodiment; FIG. 7 is a right side elevational view of the first embodiment; FIG. 8 is a perspective view of a second embodiment of a safety stirrup showing my new design; FIG. 9 is a front elevational view of the second embodiment; FIG. 10 is a rear elevational view of the second embodiment; FIG. 11 is a top view of the second embodiment; FIG. 12 is a bottom view of the second embodiment; FIG. 13 is a right side elevational view of the second embodiment; and, FIG. 14 is a left side elevational view of the second embodiment.

The first embodiment of the present design, as shown in FIGS. 1 through 7, represents the stirrup for the right foot. The second embodiment of the present design, as shown in FIGS. 8 through 14, represents the stirrup for the left foot which is a mirror image of the first embodiment.

[56] References Cited

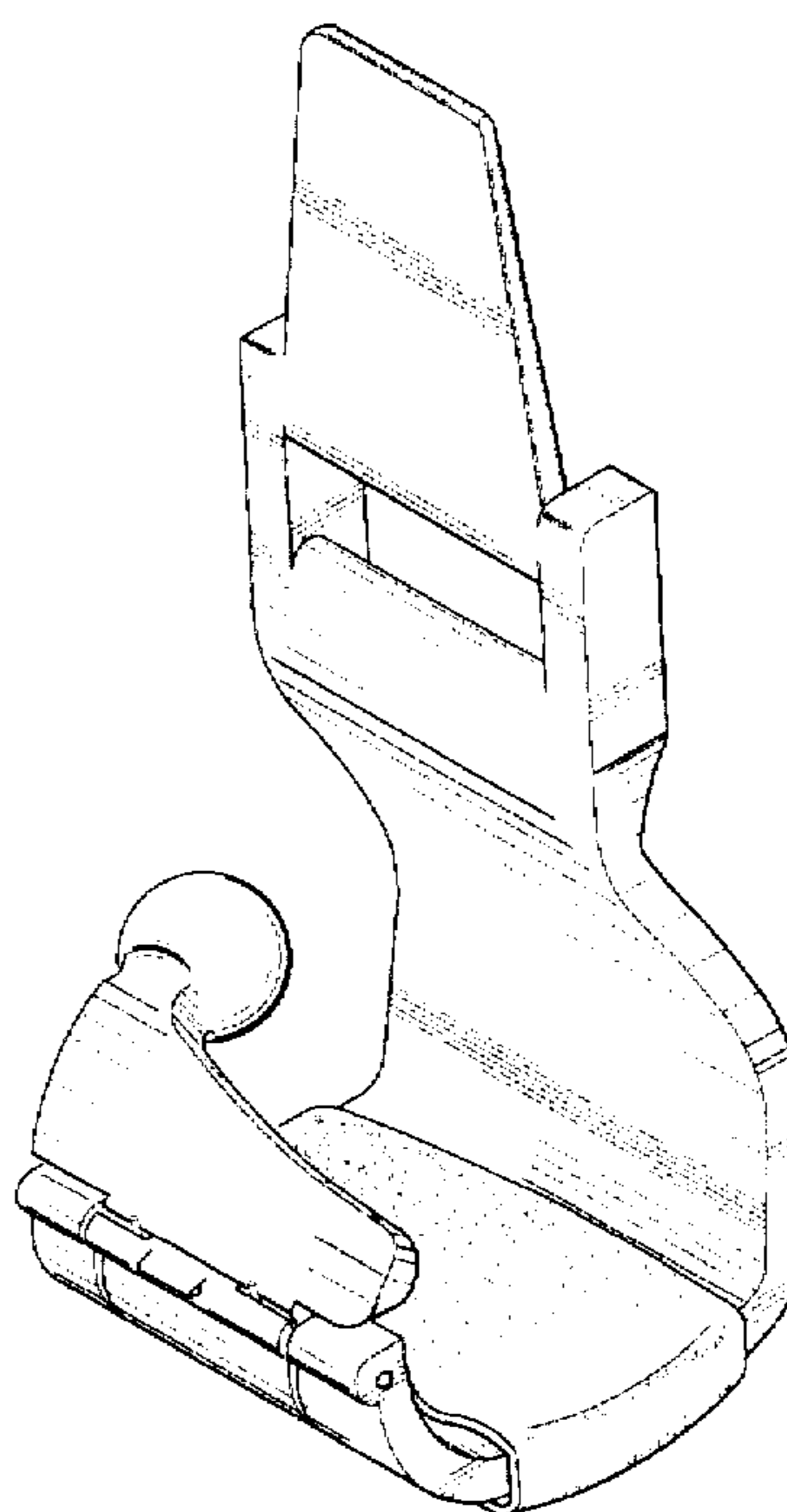
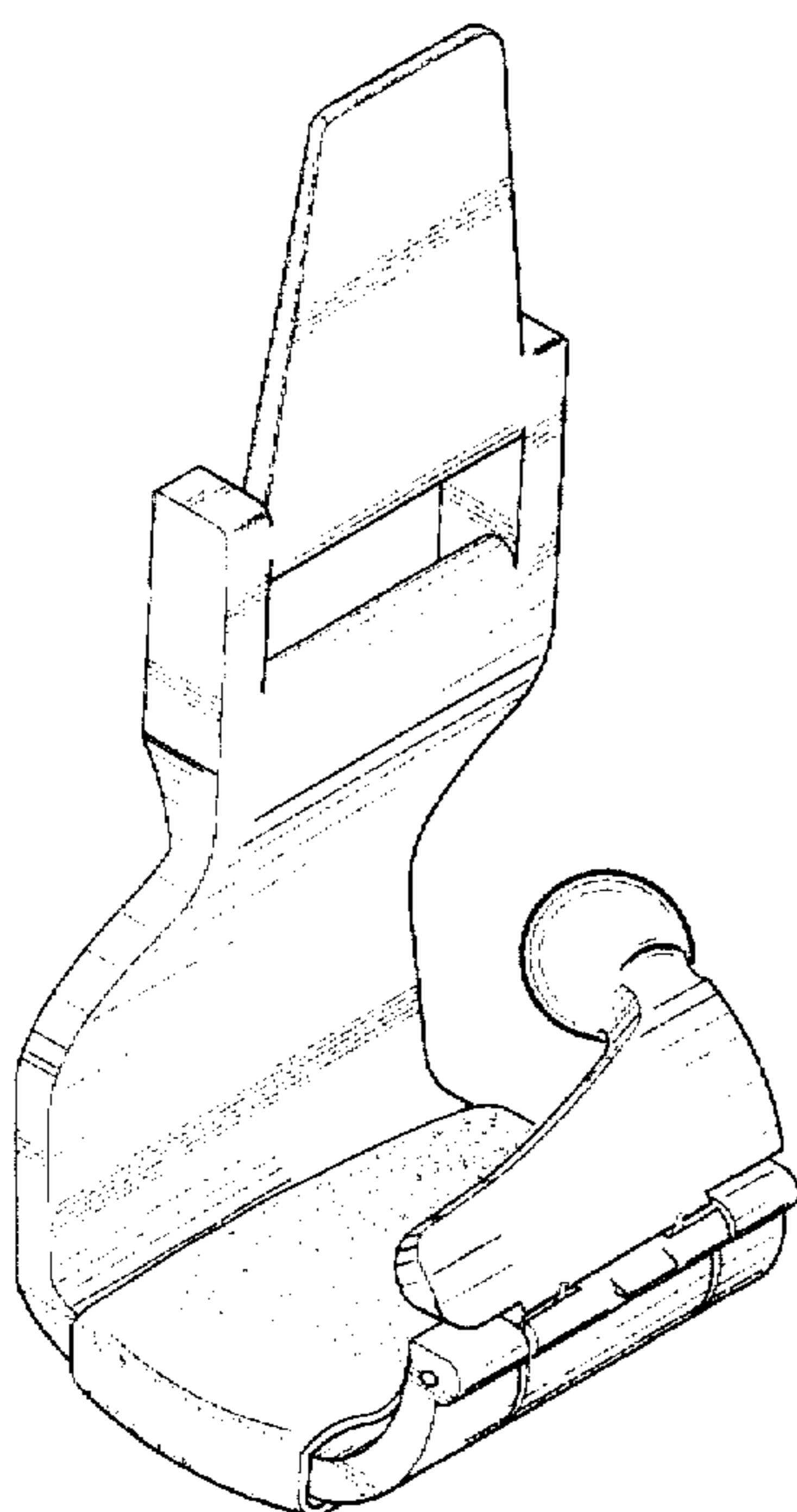
U.S. PATENT DOCUMENTS

203,807	5/1878	Wilson	54/49
259,101	6/1882	Cox	54/49
D. 318,936	8/1991	Rabeck .	
D. 370,091	5/1996	Simmons .	
375,103	12/1887	Stallcup	54/47
437,108	9/1890	Goodridge	54/49
1,025,824	5/1912	Myers .	
3,555,781	1/1971	Osborn	54/49
3,910,015	10/1975	Ebejer .	
4,209,962	7/1980	Forest .	
4,399,646	8/1983	Thayer .	
4,587,798	5/1986	Taylor .	
4,869,053	9/1989	Bradford et al. .	
4,969,316	11/1990	Brown .	
4,995,226	2/1991	Kuhn, Jr. .	

FOREIGN PATENT DOCUMENTS

428436	5/1991	European Pat. Off.	54/47
385554	5/1908	France	54/47
418757	12/1910	France	54/47
451641	4/1913	France	54/47

1 Claim, 12 Drawing Sheets



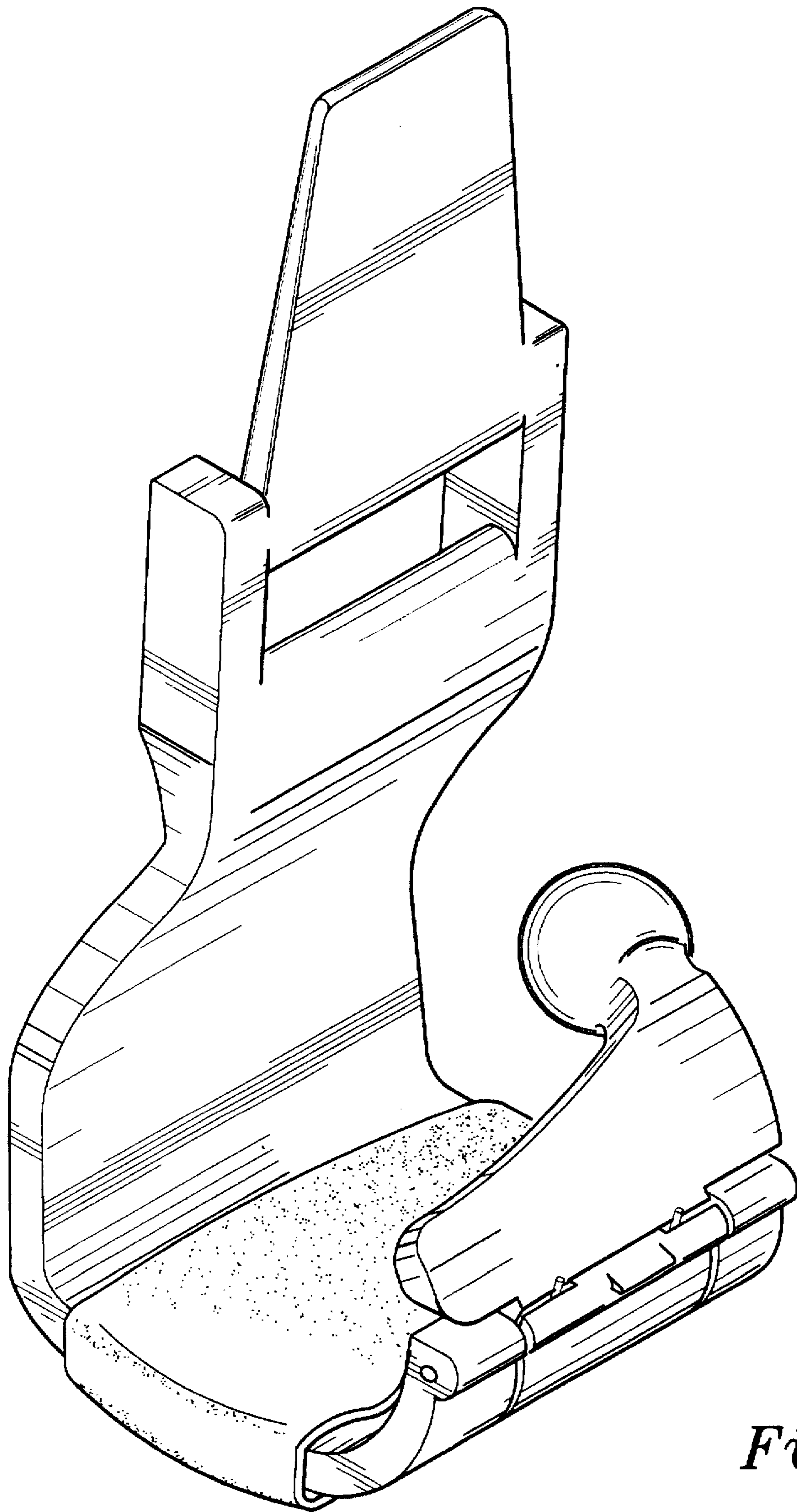


Fig. 1

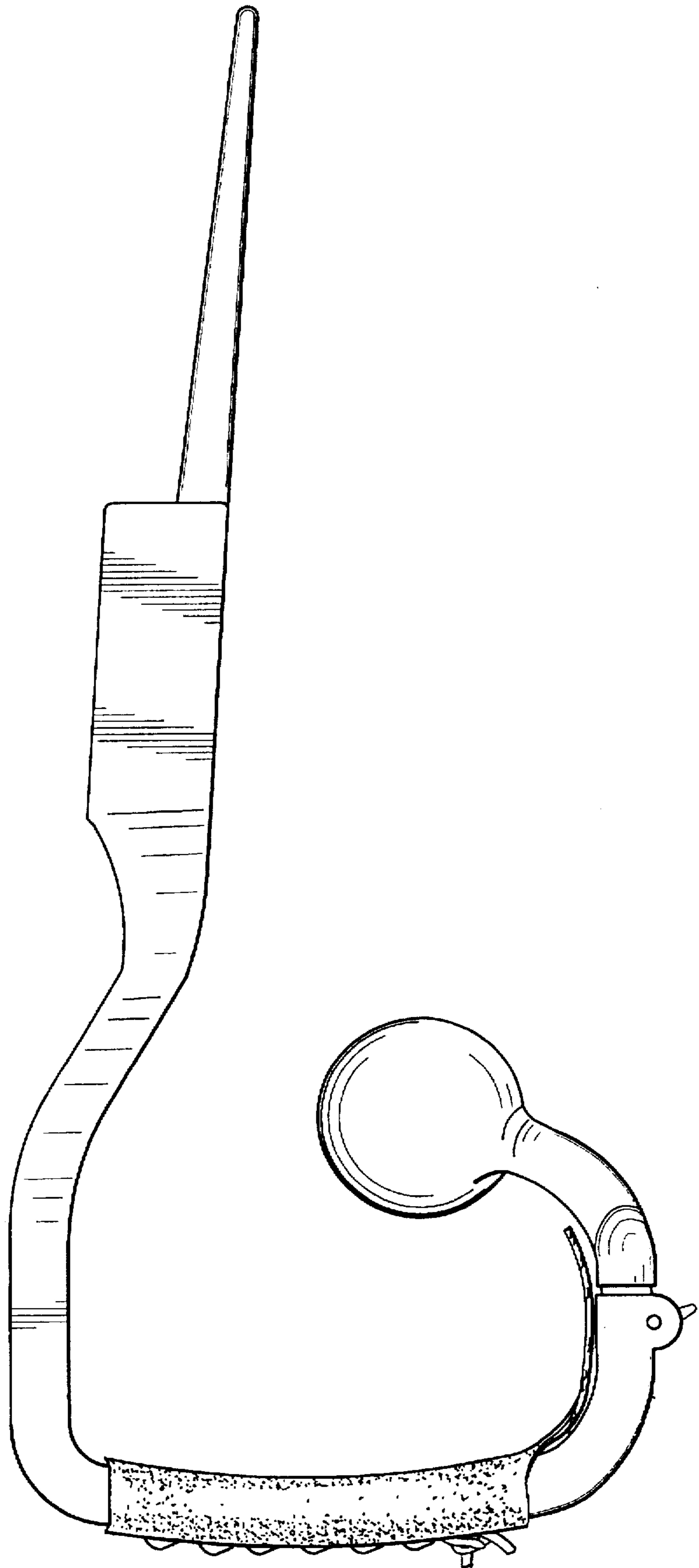


Fig. 2

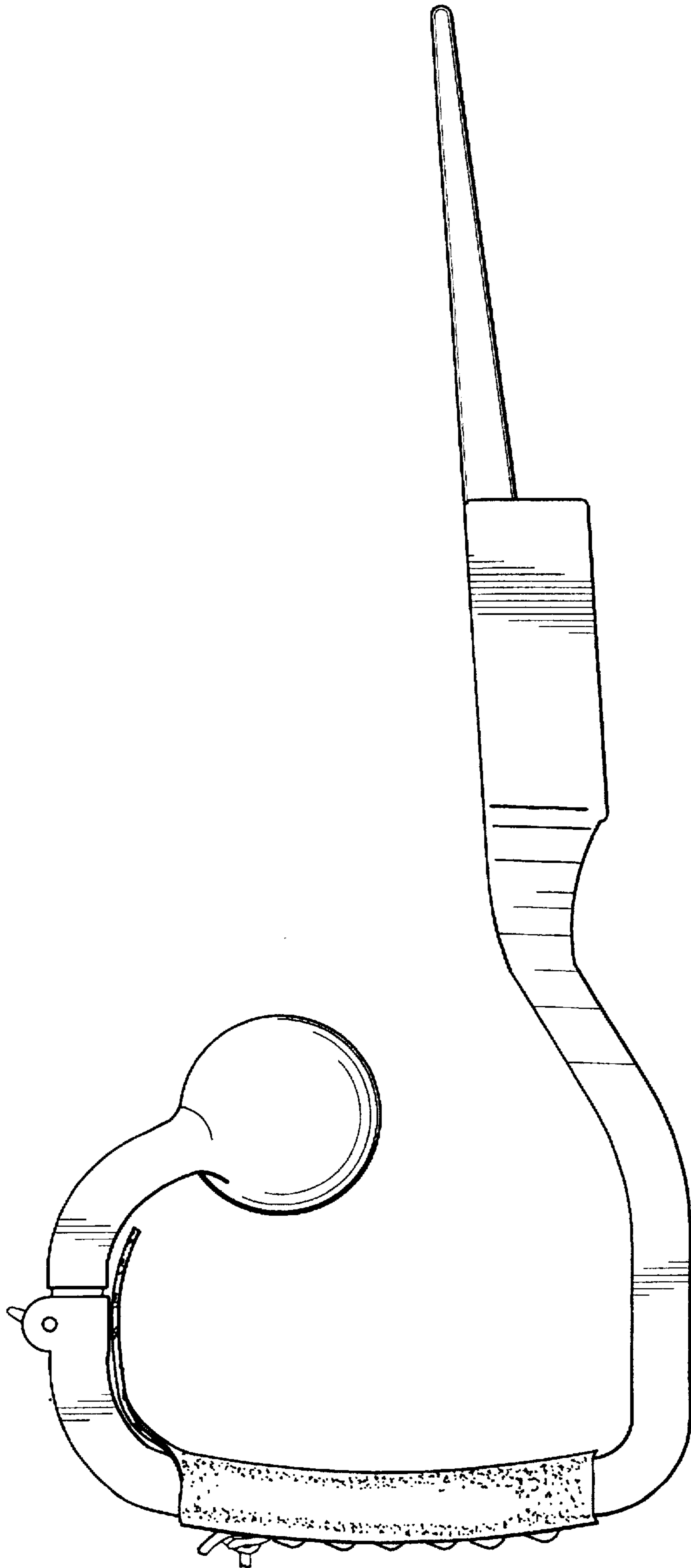


Fig. 3

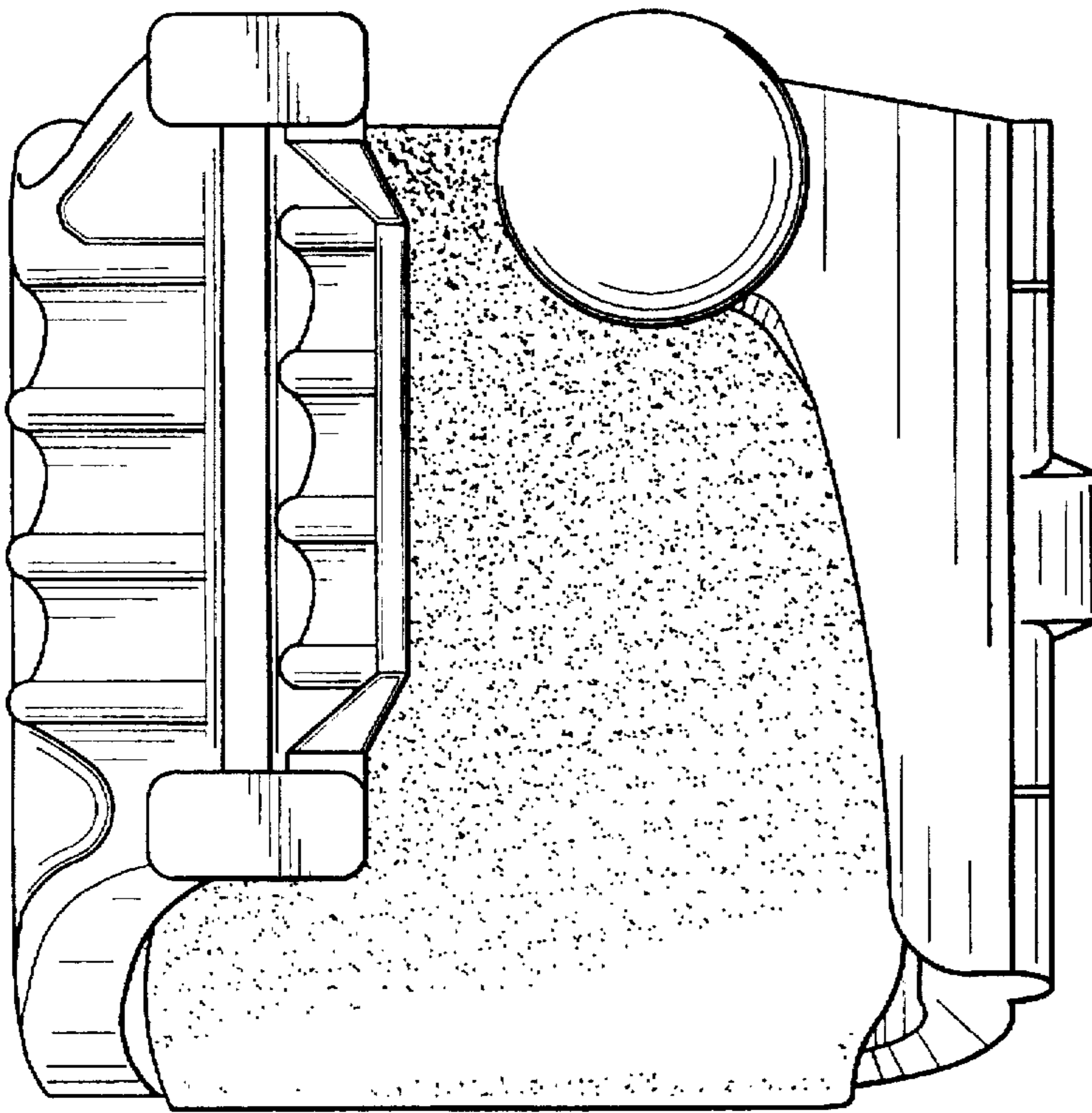


Fig. 4

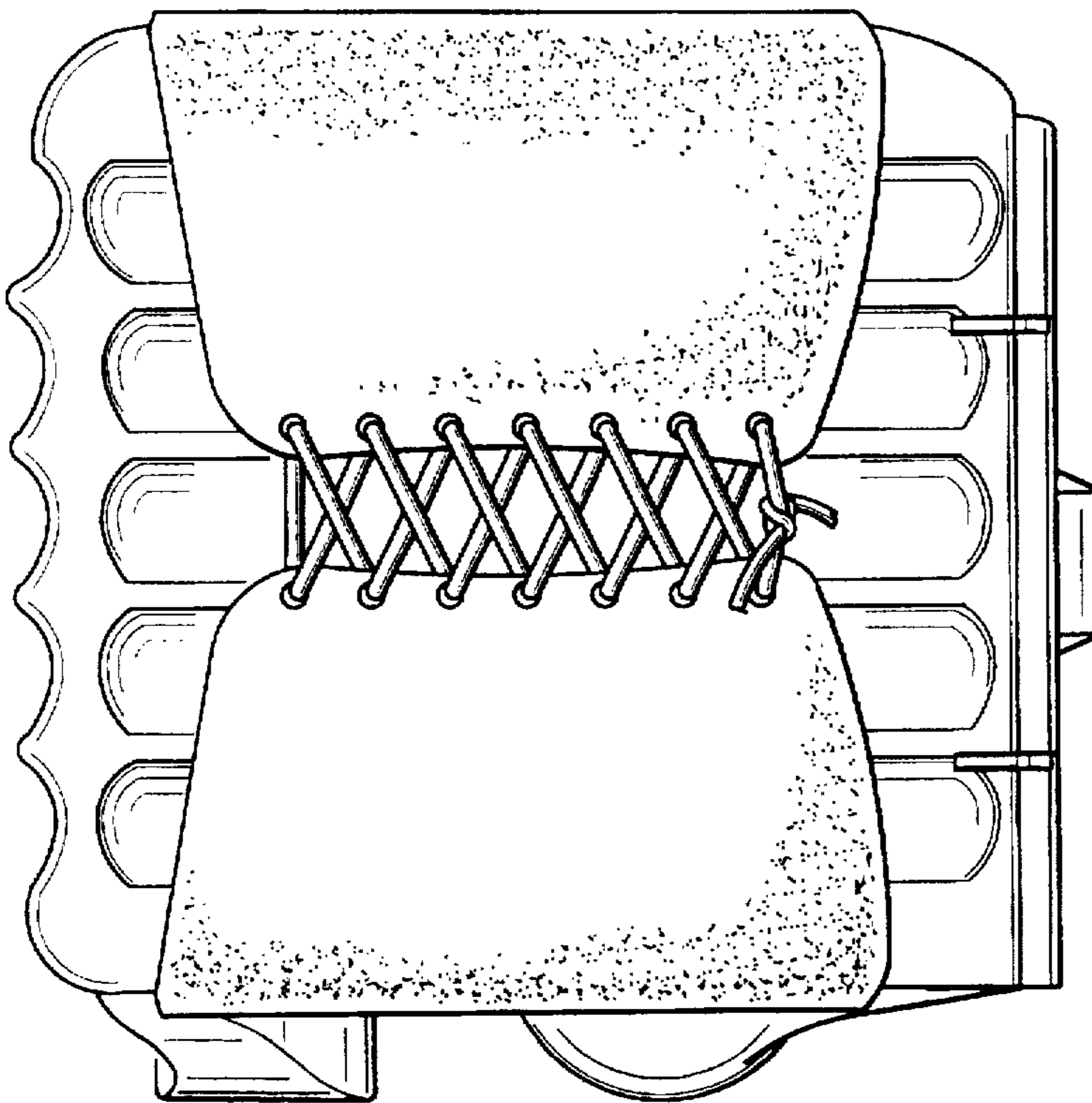


Fig. 5

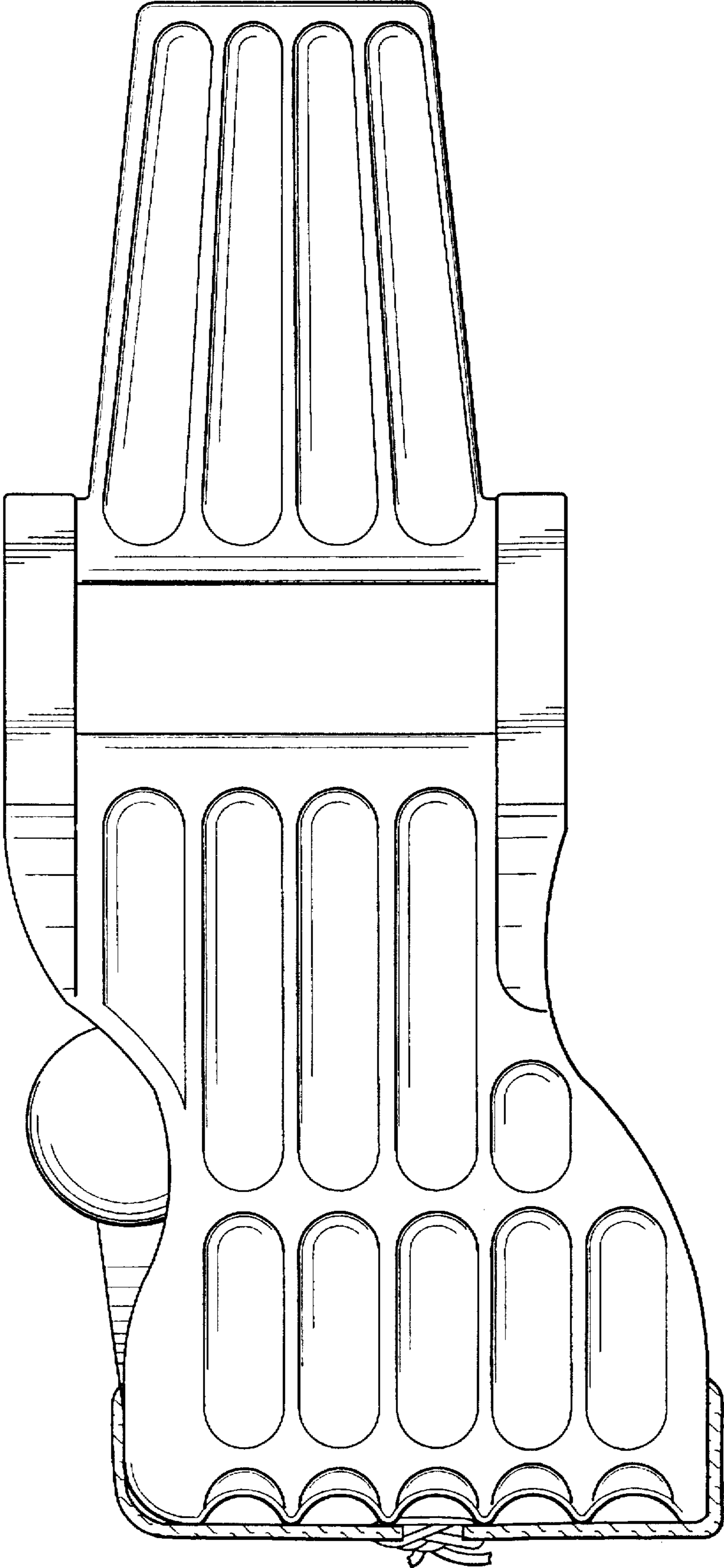


Fig. 6

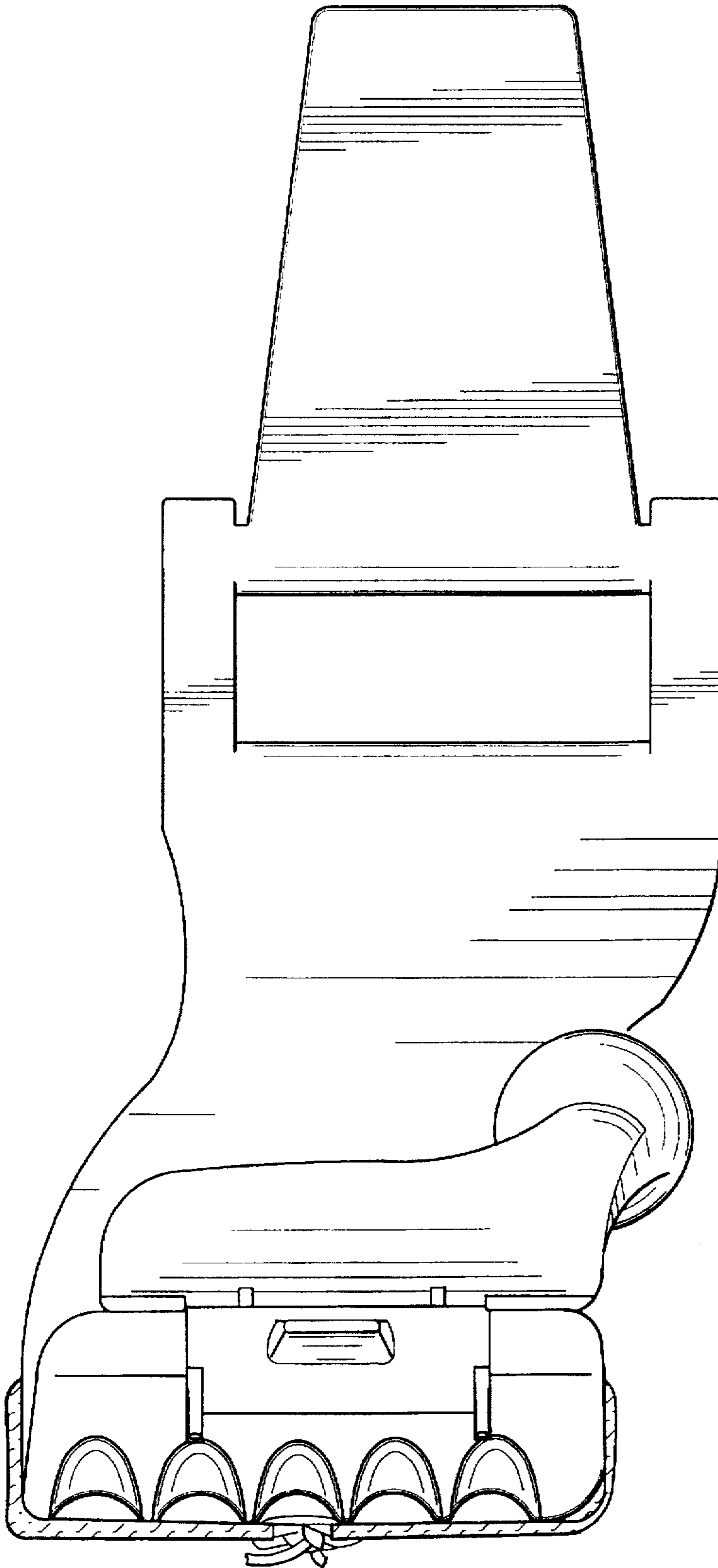


Fig. 7

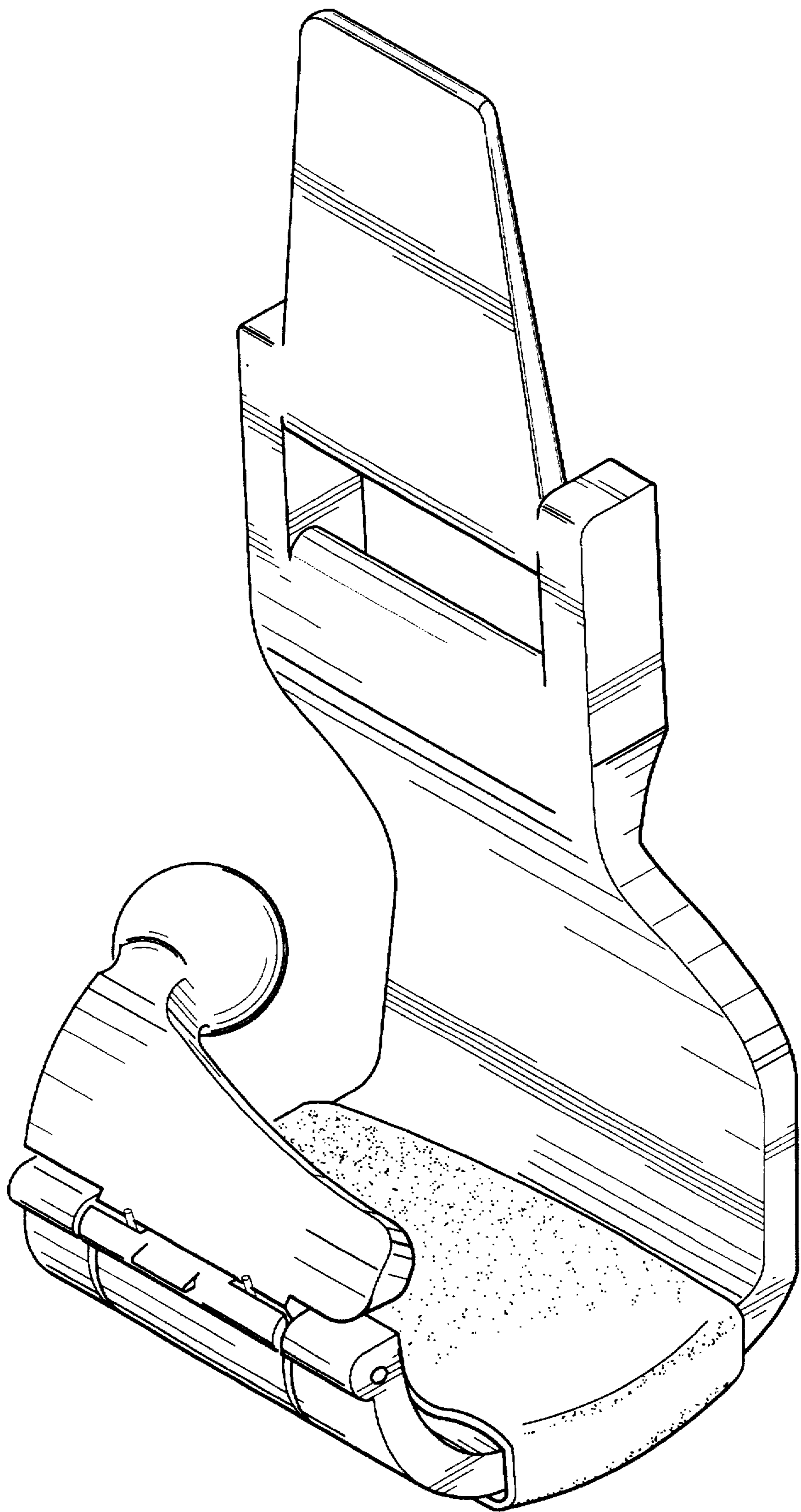


Fig. 8

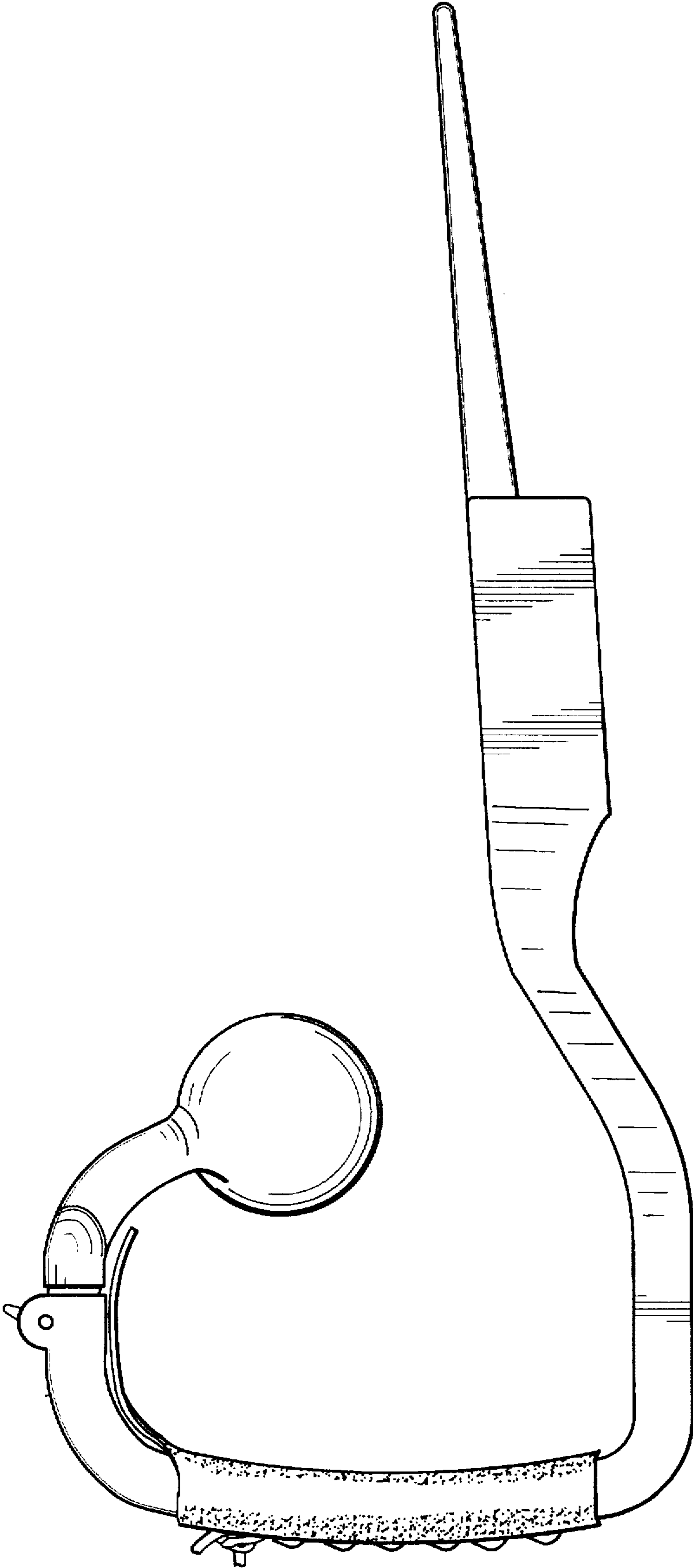


Fig. 9

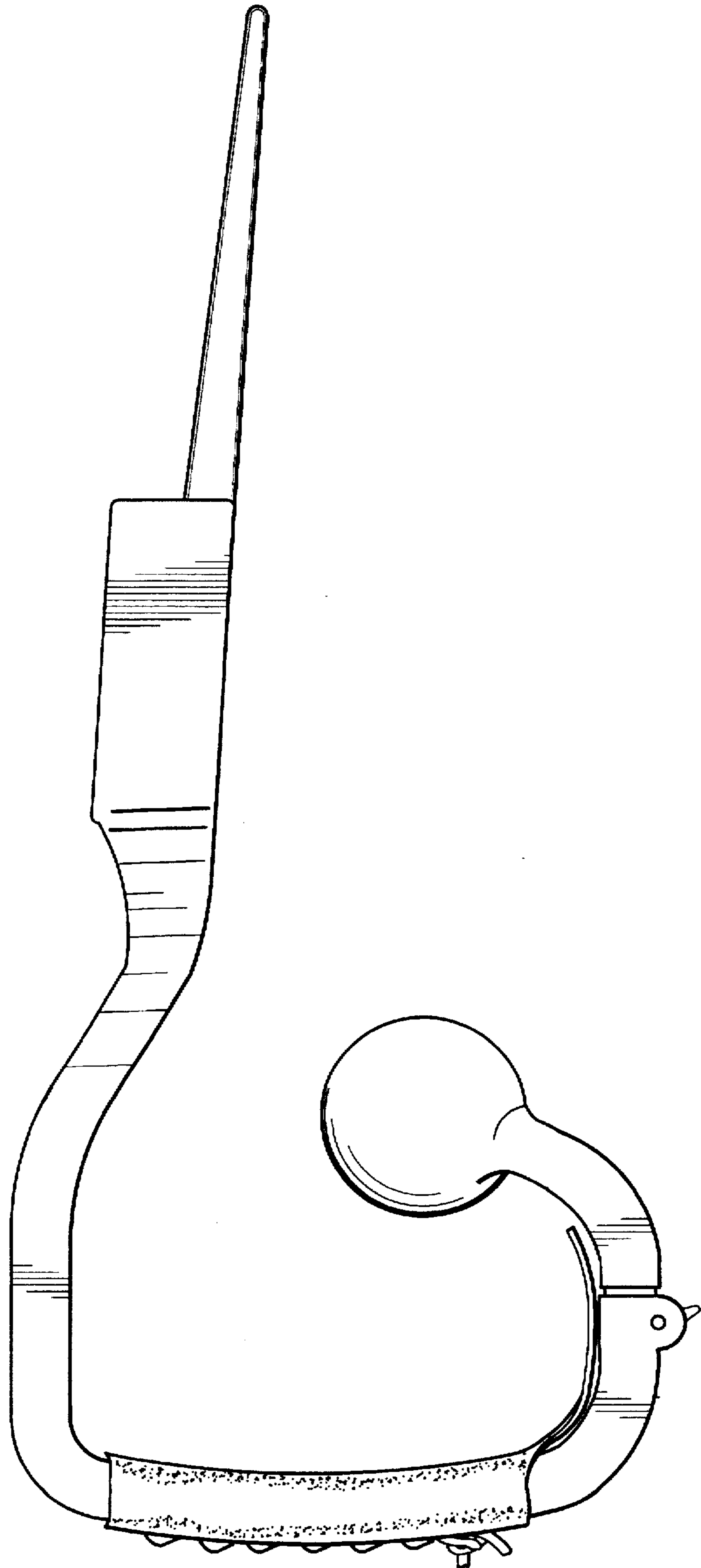


Fig. 10

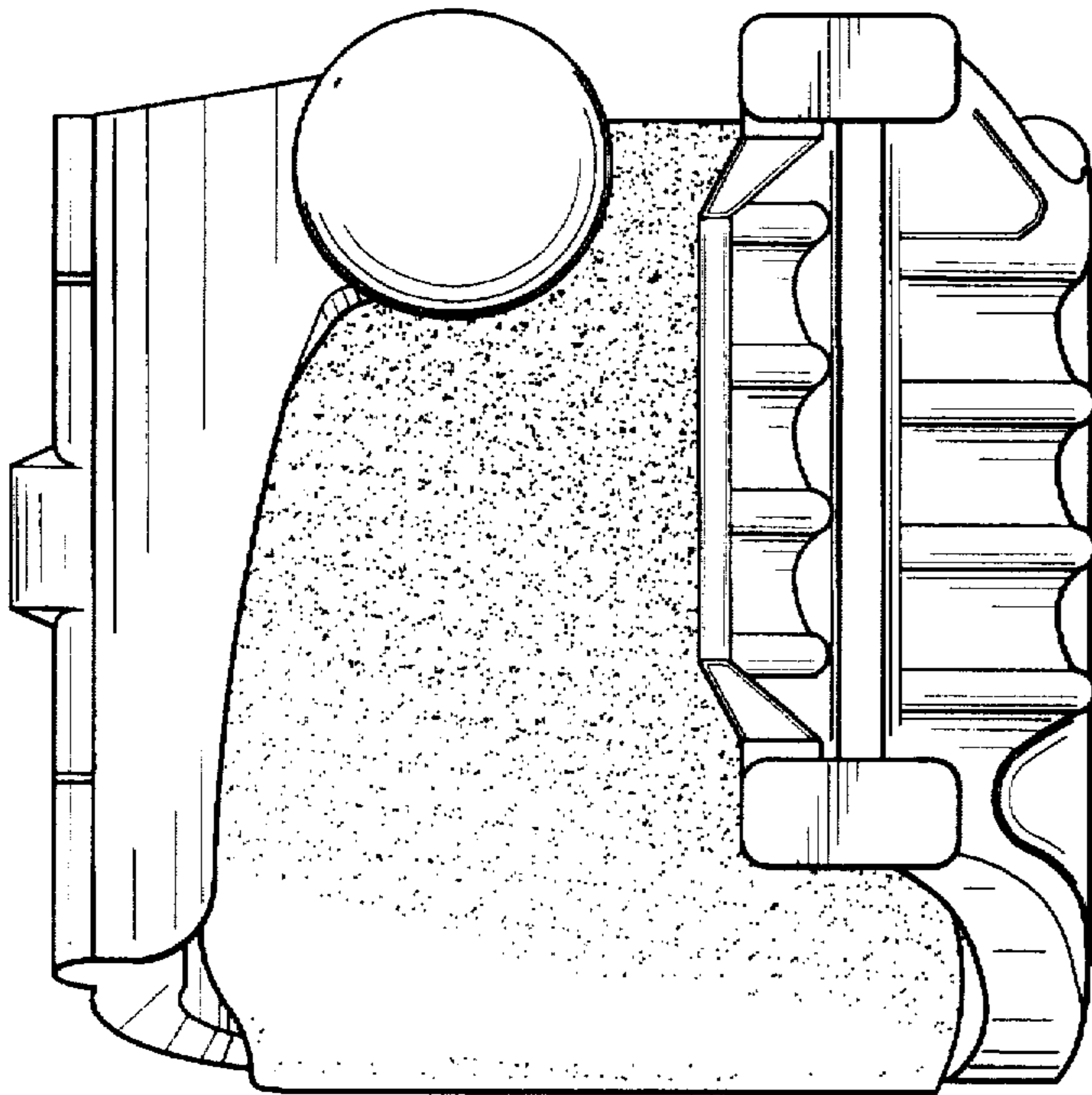


Fig. 11

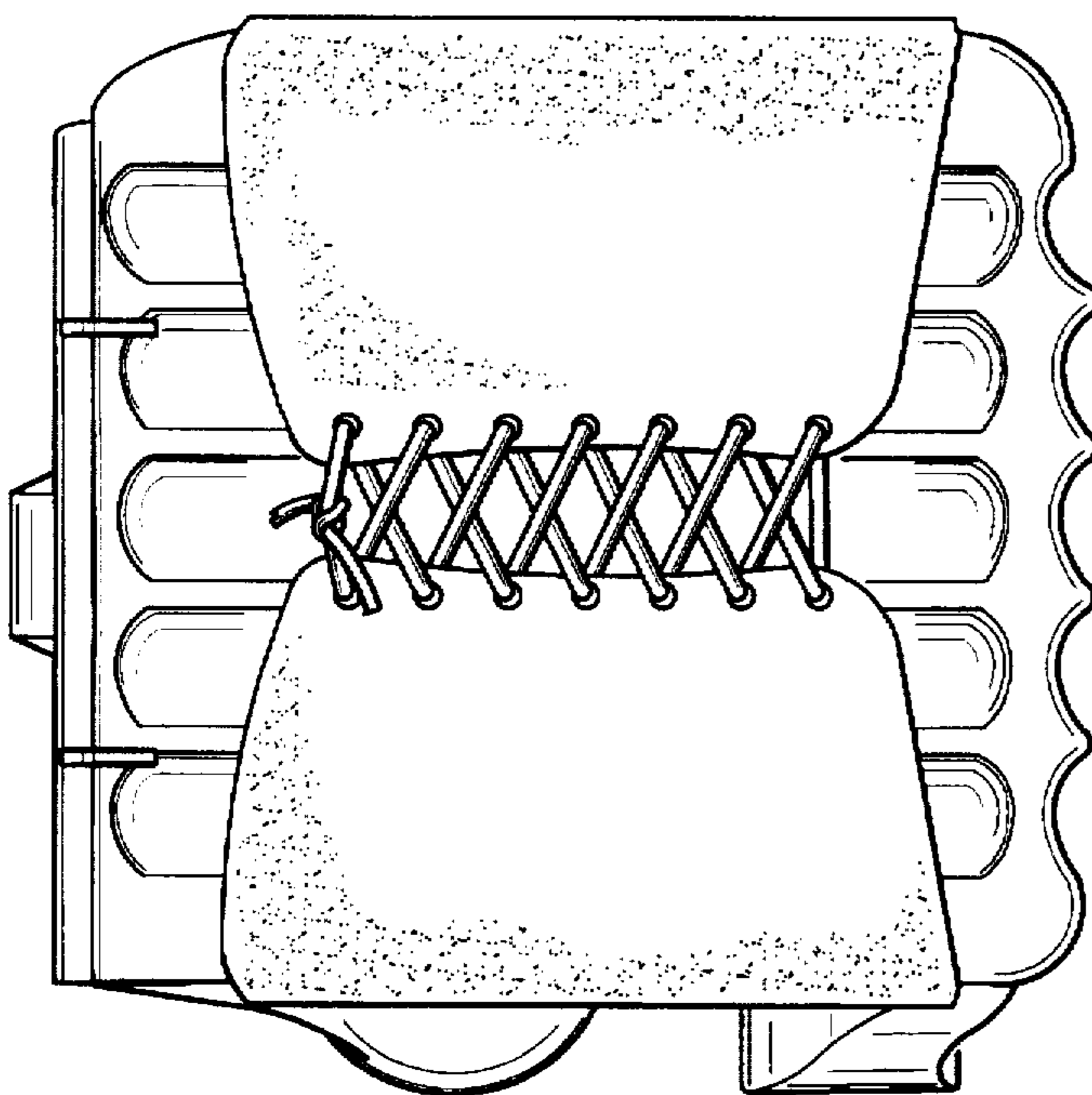


Fig. 12

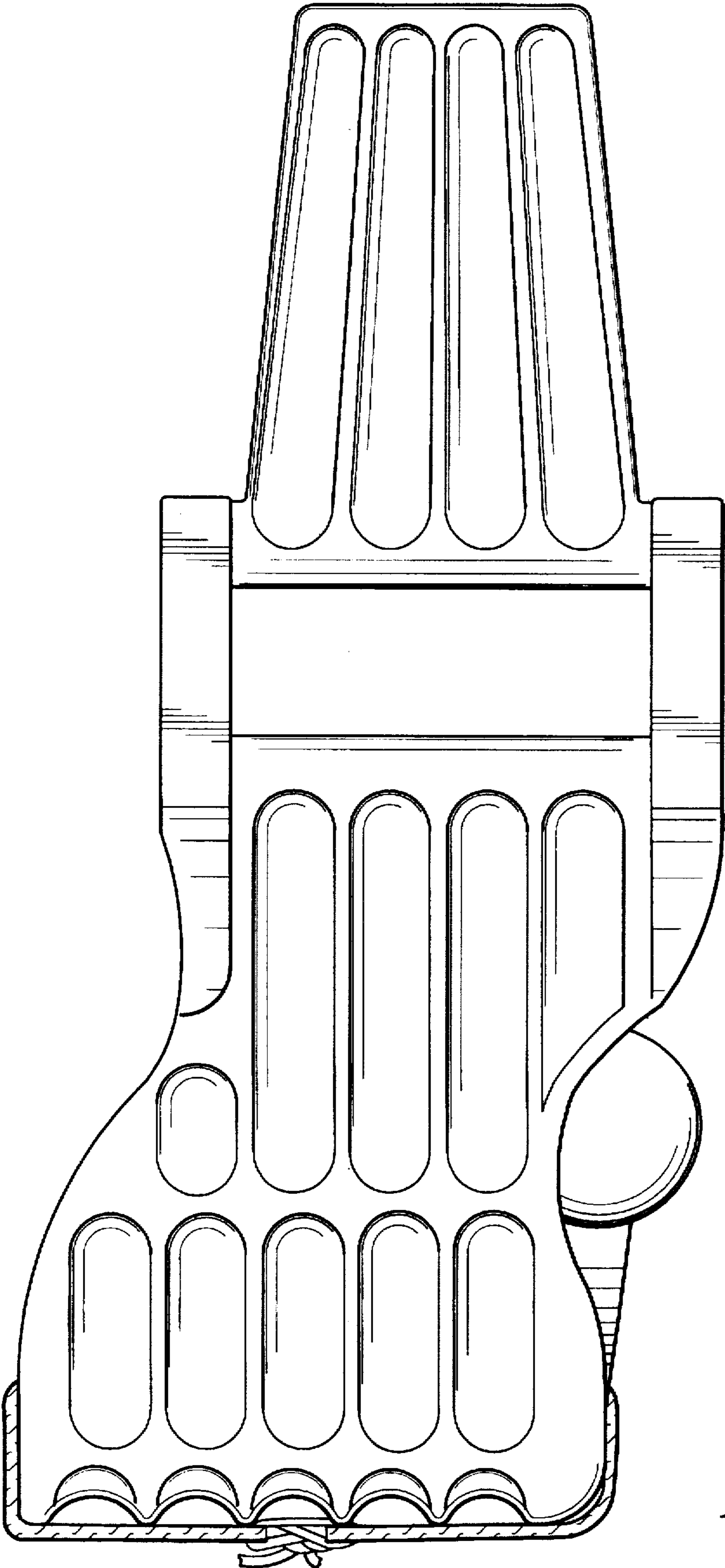


Fig. 13

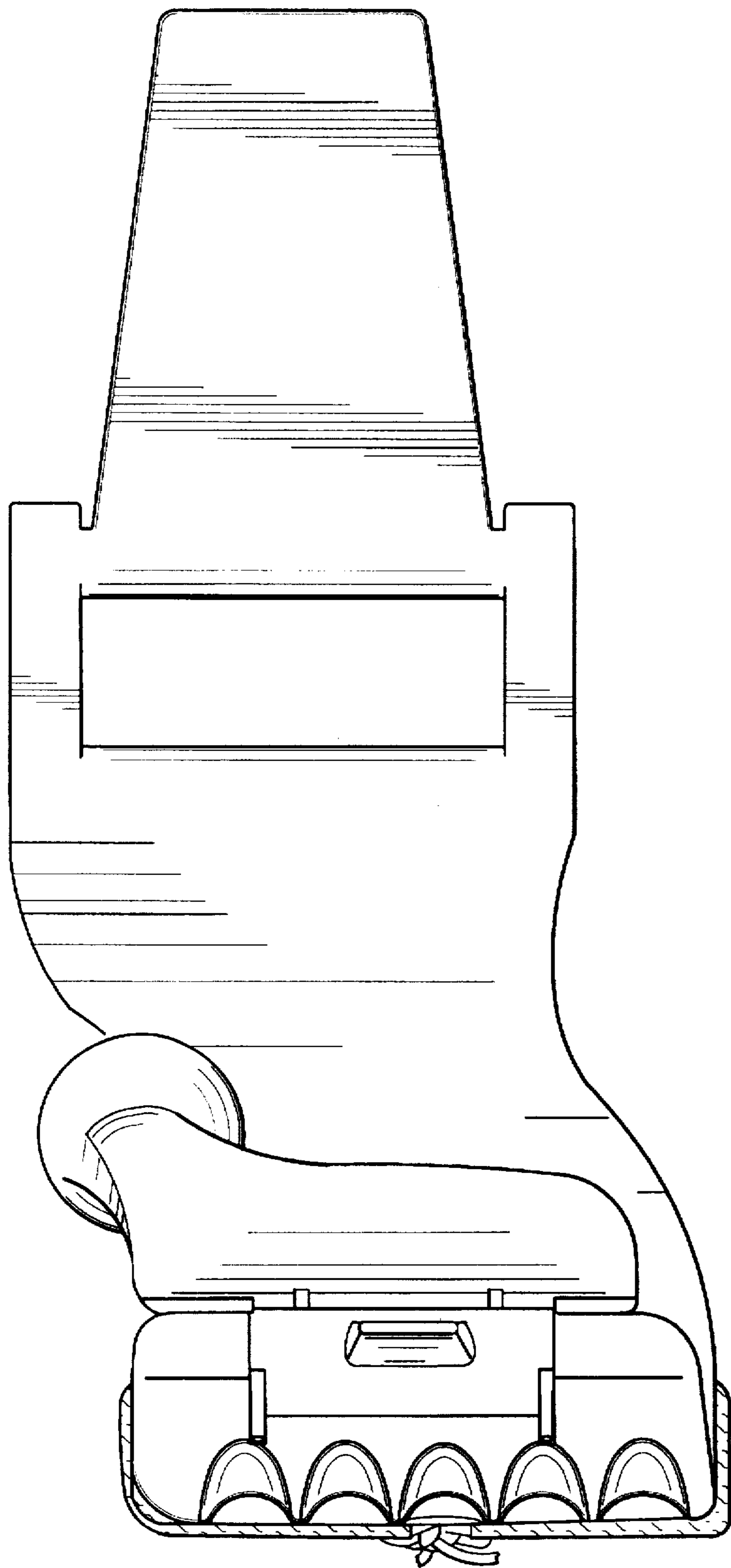


Fig. 14