



US00D394516S

United States Patent [19]

[11] **Patent Number: Des. 394,516**

Leen

[45] **Date of Patent: **May 19, 1998**

[54] **MERCURY VAPOR LIGHT BASE FOR EXTERIOR LIGHTING FIXTURE**

4,595,971 6/1986 Dean 362/431 X
4,905,132 2/1990 Singarayar et al. 362/431 X

[76] **Inventor: Monte A. Leen, 1804 W. Lake Sammamish Pkwy. NE., Bellevue, Wash. 98008**

Primary Examiner—Susan J. Lucas
Attorney, Agent, or Firm—Christensen, O'Connor, Johnson & Kindness PLLC

[**] **Term: 14 Years**

[57] **CLAIM**

[21] **Appl. No.: 67,736**

The ornamental design for a mercury vapor light base for exterior lighting fixture, as shown and described.

[22] **Filed: Mar. 11, 1997**

DESCRIPTION

[51] **LOC (6) Cl. 26-03**

[52] **U.S. Cl. D26/71**

[58] **Field of Search D26/24, 67-70, D26/72, 87, 92, 142; 362/147, 153, 362, 431, 432**

FIG. 1 is a top isometric view of a mercury vapor light base for exterior lighting fixture showing my new design;

FIG. 2 is a bottom isometric view thereof;

FIG. 3 is a top plan view thereof;

FIG. 4 is a bottom plan view thereof;

FIG. 5 is a back elevational view thereof;

FIG. 6 is a front elevational view thereof; and,

FIG. 7 is a side elevational view thereof with other elements of a mercury vapor light shown in phantom for illustrative purposes only and forming no part of the claimed design.

[56] **References Cited**

U.S. PATENT DOCUMENTS

D. 184,007 12/1958 Corwin D26/71
D. 313,483 1/1991 Blake D26/71
D. 329,714 9/1992 McIngvale, Jr. D26/71
D. 358,226 5/1995 Osteen et al. D26/71

1 Claim, 4 Drawing Sheets

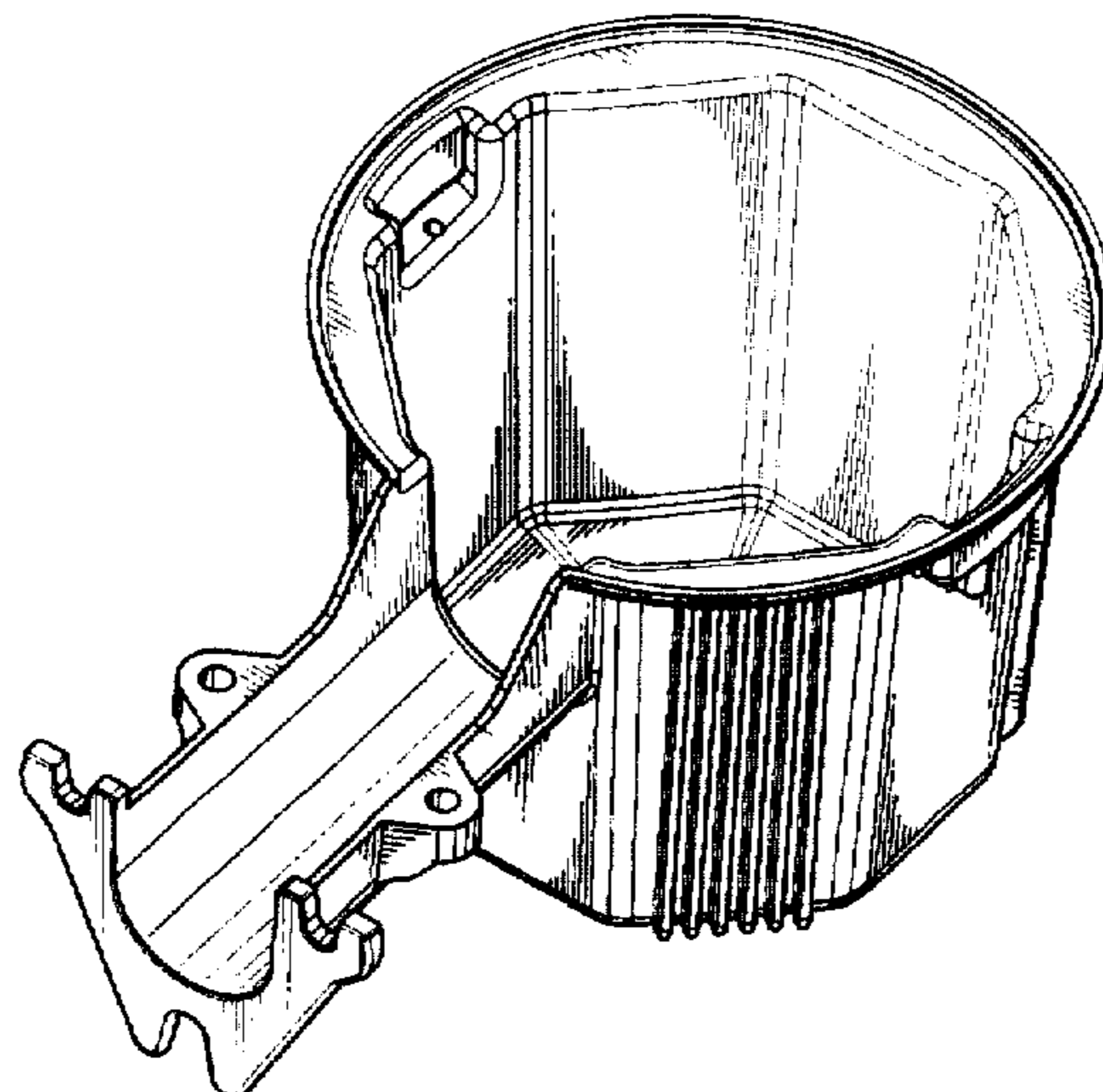
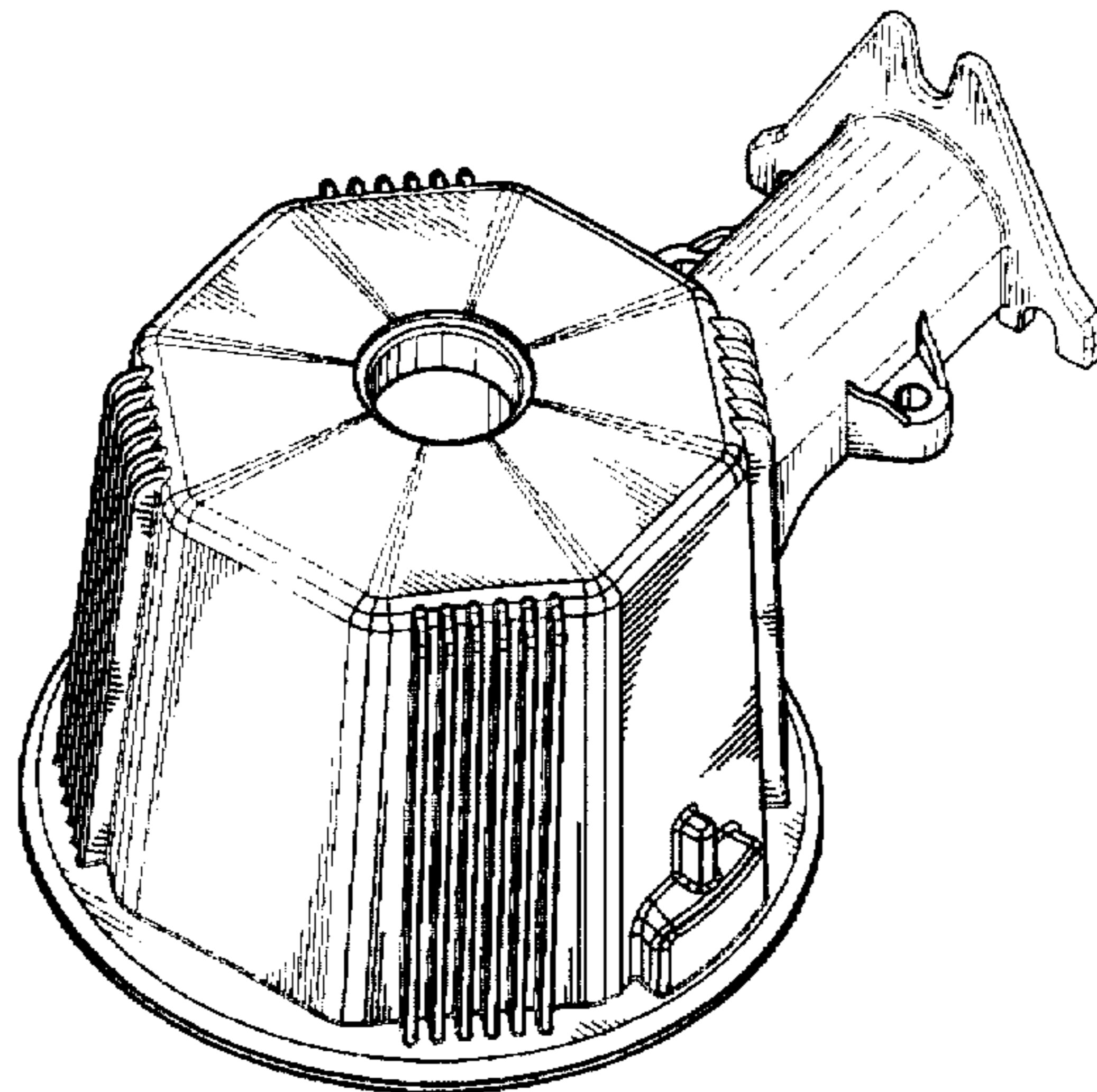


Fig. 1

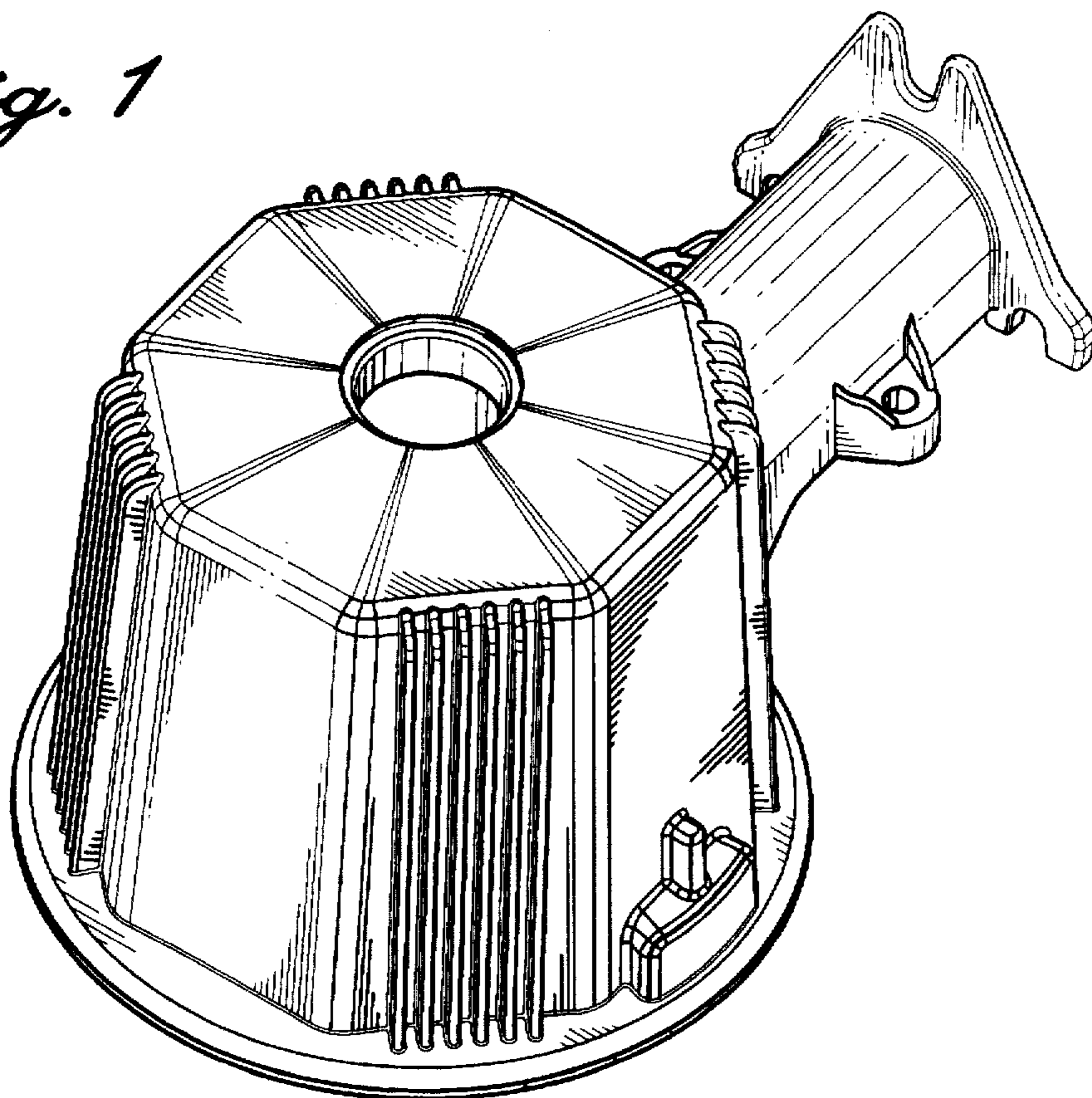
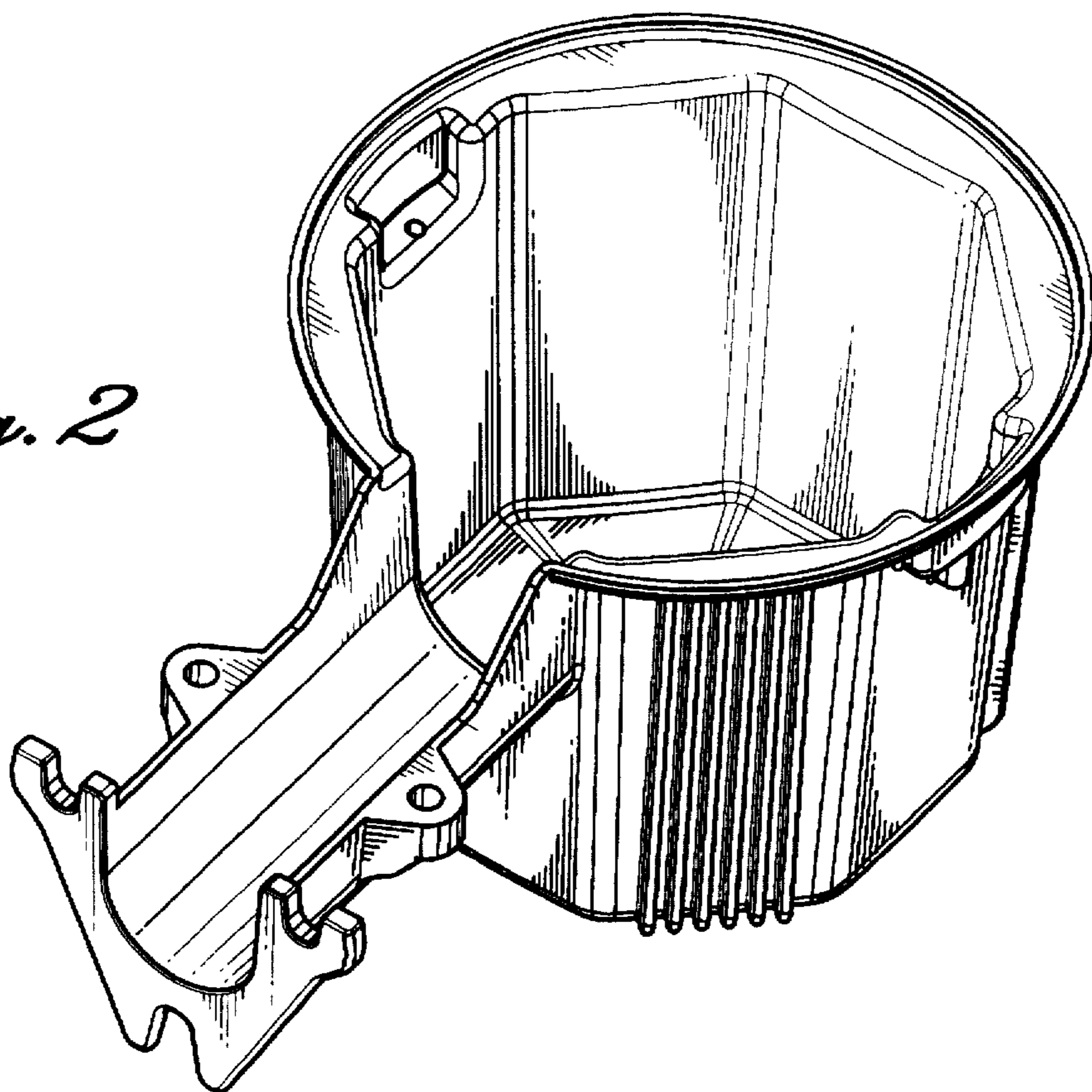


Fig. 2



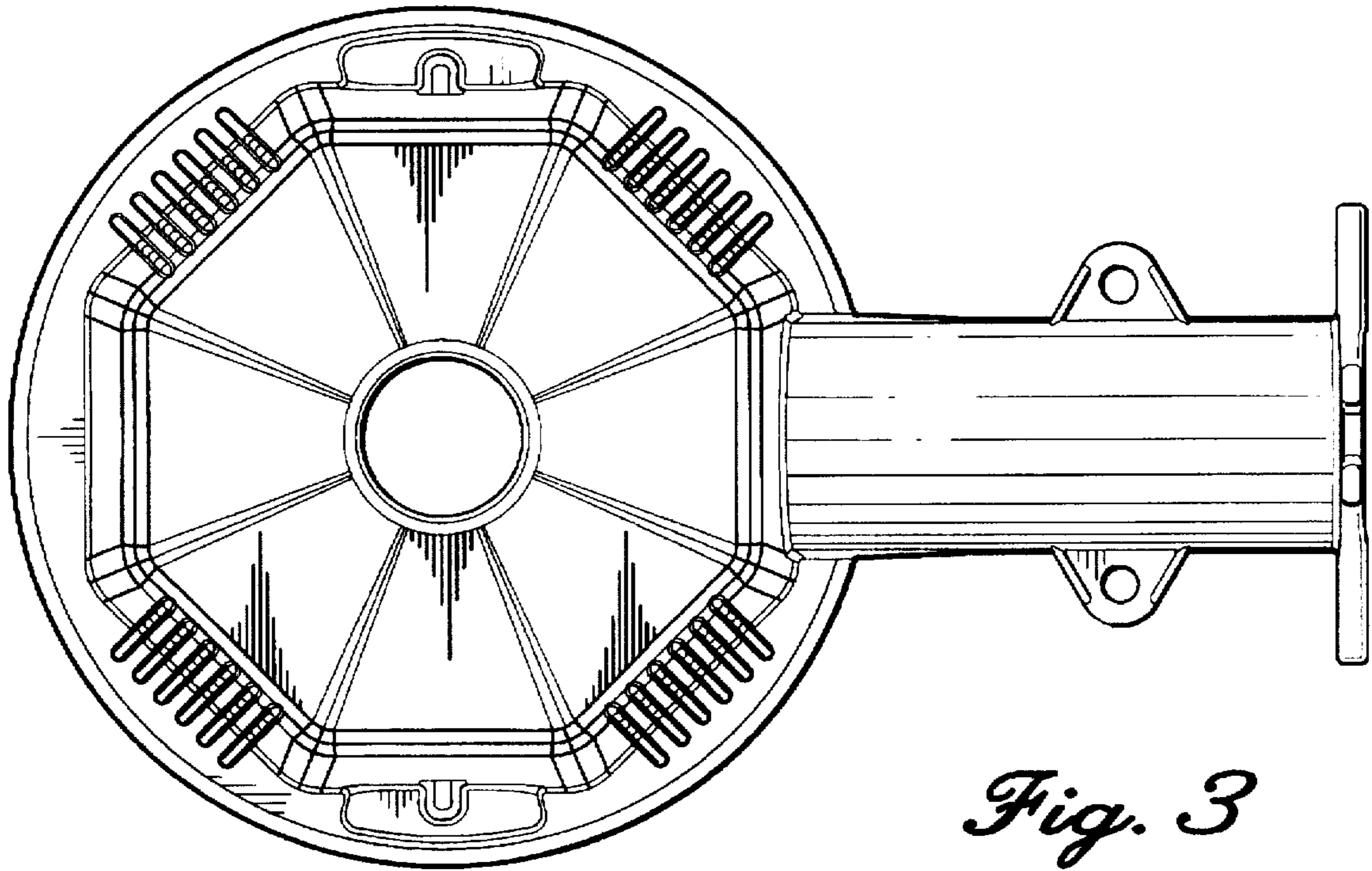


Fig. 3

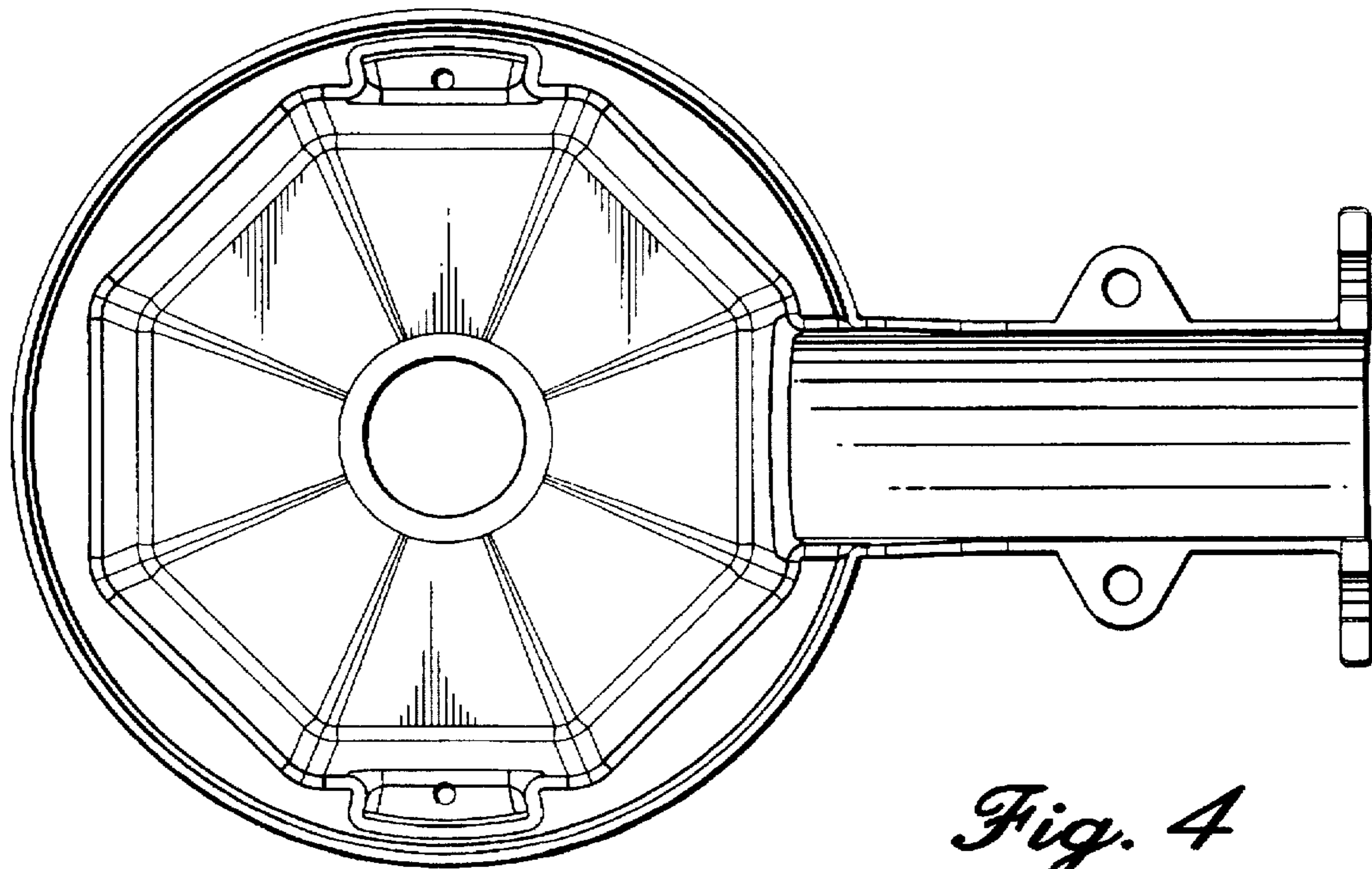


Fig. 4

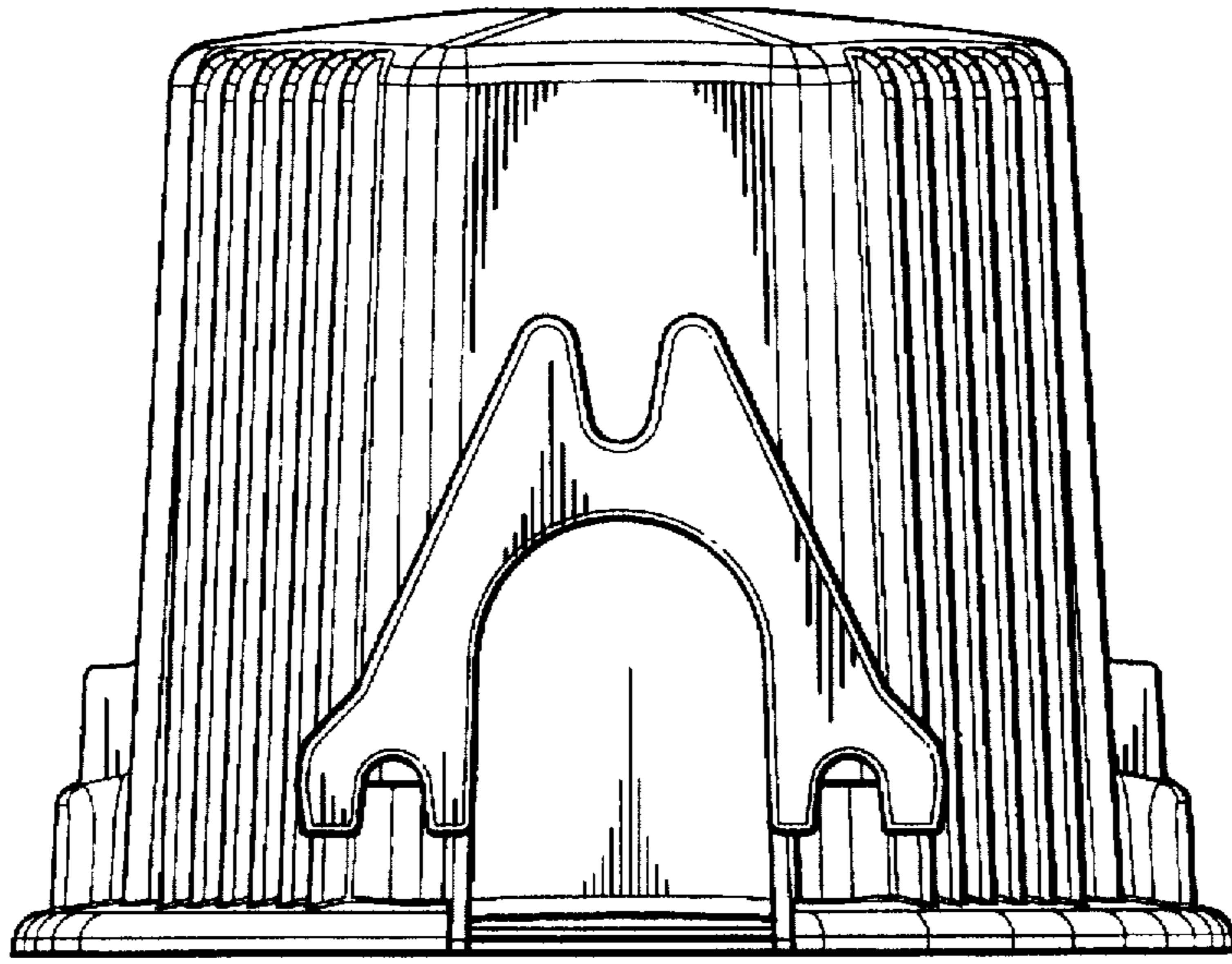


Fig. 5

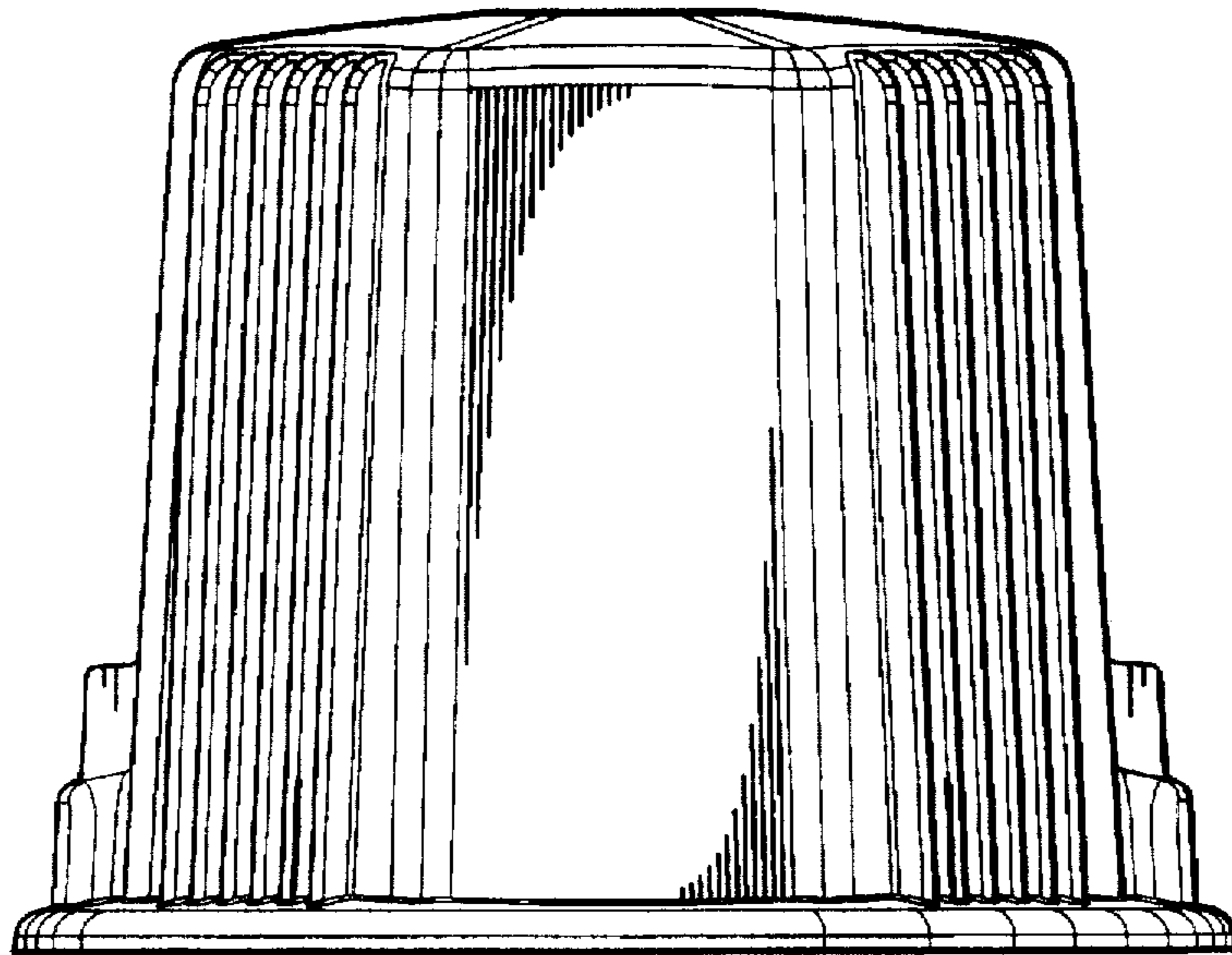


Fig. 6

