



US00D394514S

United States Patent [19]

Dalton et al.

[11] Patent Number: **Des. 394,514**

[45] Date of Patent: ****May 19, 1998**

[54] **BICYCLE LIGHT**

[75] Inventors: **David Richard Dalton**, Westlake, Ohio; **John Robert Brown**, New South Wales, Australia

[73] Assignee: **Eveready Battery Company, Inc.**, St. Louis, Mo.

[**] Term: **14 Years**

[21] Appl. No.: **71,586**

[22] Filed: **Jun. 3, 1997**

[51] LOC (6) Cl. **26-06**

[52] U.S. Cl. **D26/28**

[58] Field of Search D26/28-35, 37, D26/38, 40; 362/72, 157, 158, 183, 189, 191, 192, 193, 194, 196, 200-206, 208

[56] **References Cited**

U.S. PATENT DOCUMENTS

- D. 314,243 1/1991 Ueda D26/28
- D. 324,578 3/1992 Tsuyama D26/28
- D. 328,796 8/1992 Hartmann D26/28

- D. 345,615 3/1994 Tsushi D26/28
- D. 346,230 4/1994 Ueda D26/28
- D. 346,231 4/1994 Zai D26/28
- D. 346,670 5/1994 Ueda D26/28
- D. 357,989 5/1995 Nagano D26/28

Primary Examiner—Marcus A. Jackson
Attorney, Agent, or Firm—Robert W. Welsh; S. Allan Fraser

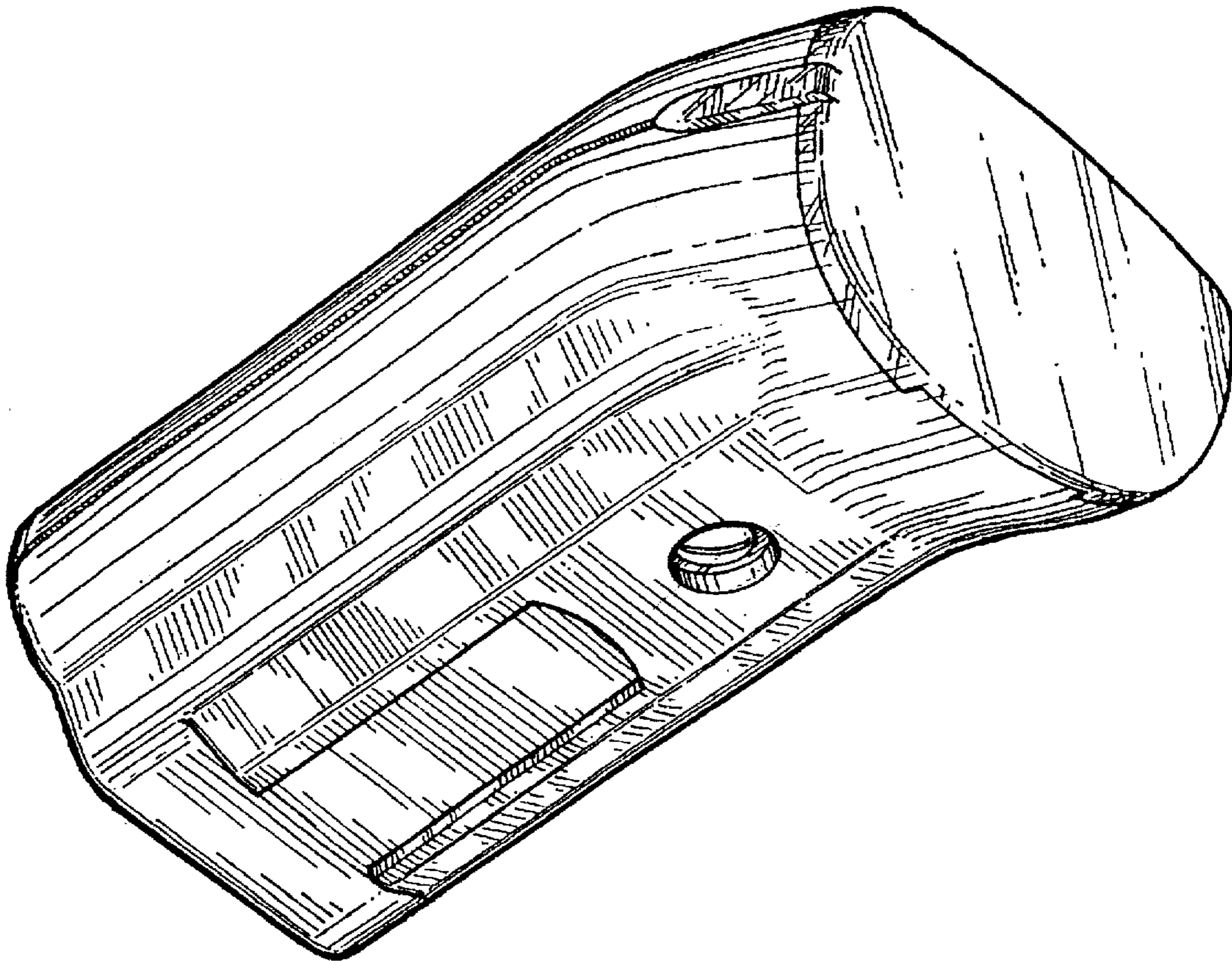
[57] **CLAIM**

The ornamental design for the bicycle light, as shown and described.

DESCRIPTION

FIG. 1 is a top perspective view of a bicycle light showing the new design;
 FIG. 2 is a bottom perspective view of the bicycle light showing the new design;
 FIG. 3 is a top plan view of the bicycle light;
 FIG. 4 is a bottom view of the bicycle light;
 FIG. 5 is a side view of one side of the bicycle light;
 FIG. 6 is a side view of the other side of the bicycle light;
 FIG. 7 is a front view of the bicycle light; and,
 FIG. 8 is a rear view of the bicycle light.

1 Claim, 4 Drawing Sheets



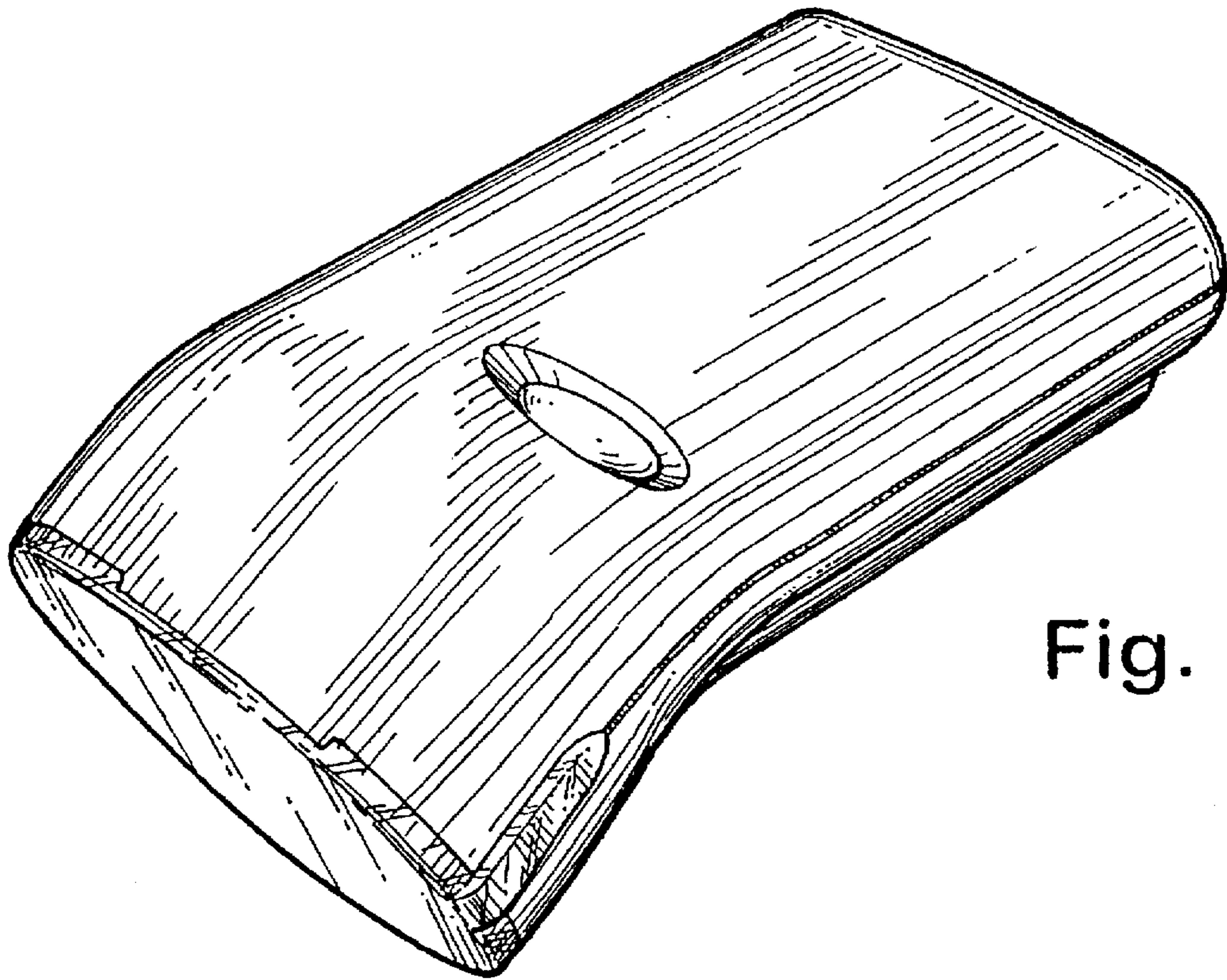


Fig. 1

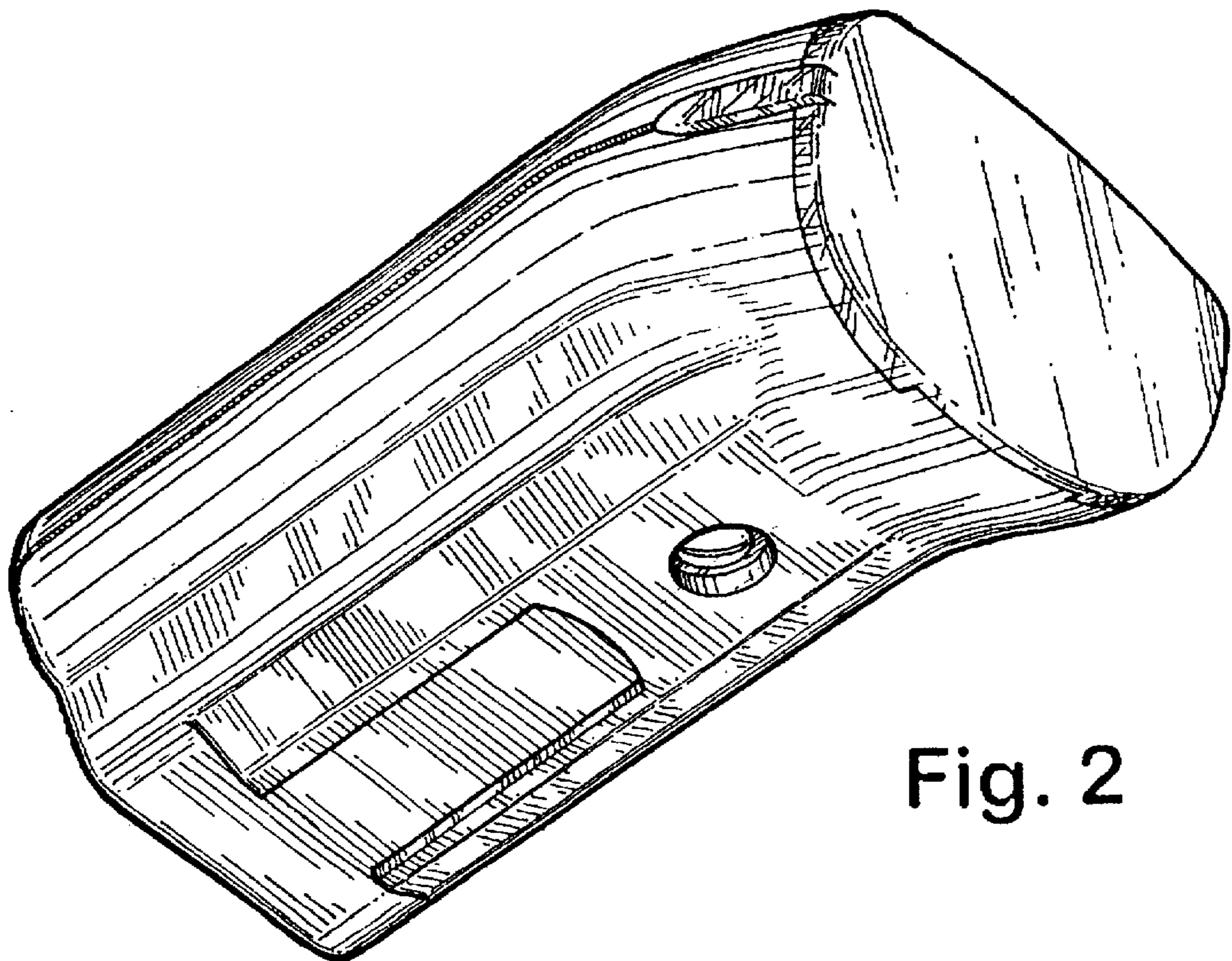


Fig. 2

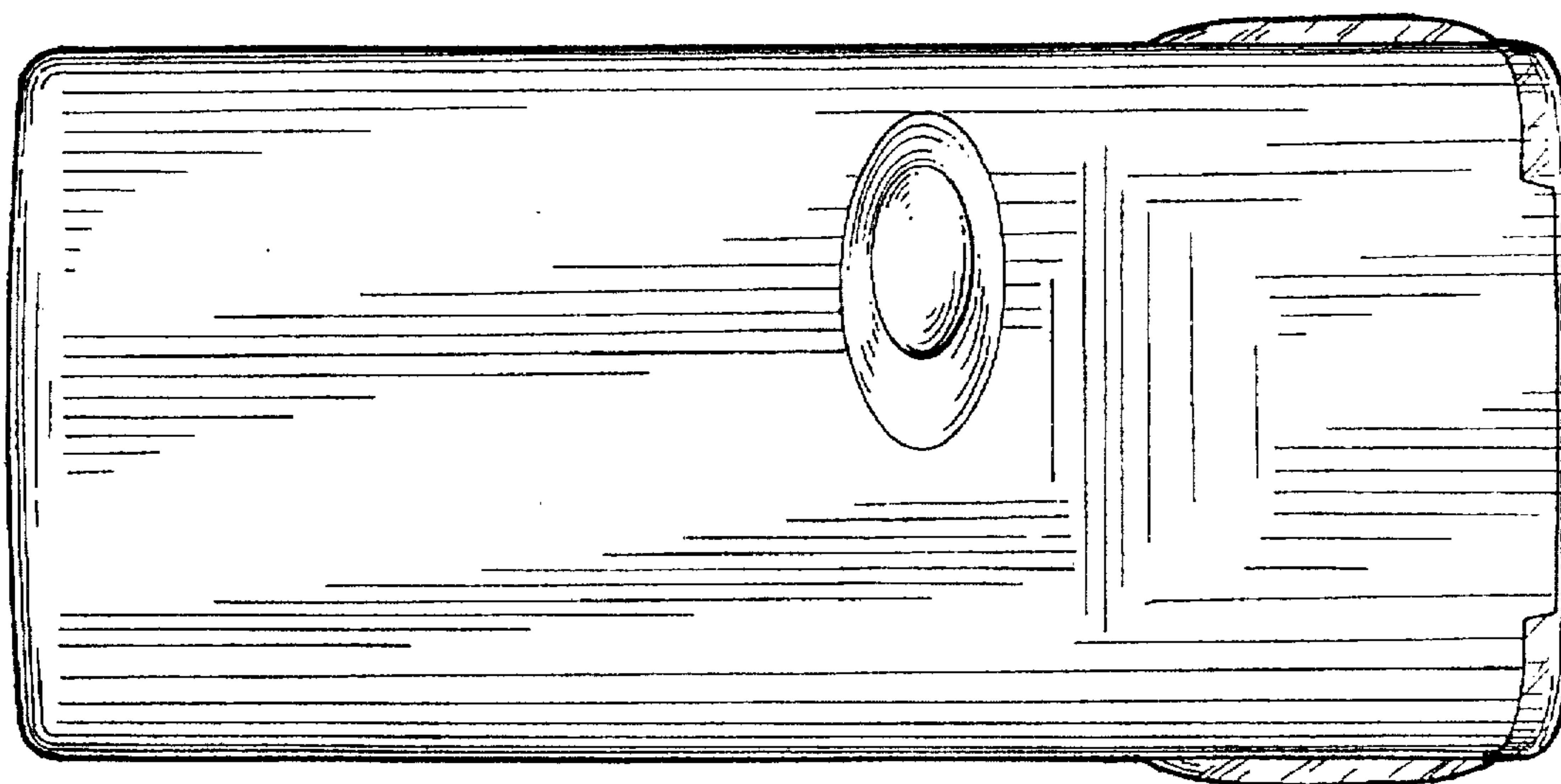


Fig. 3

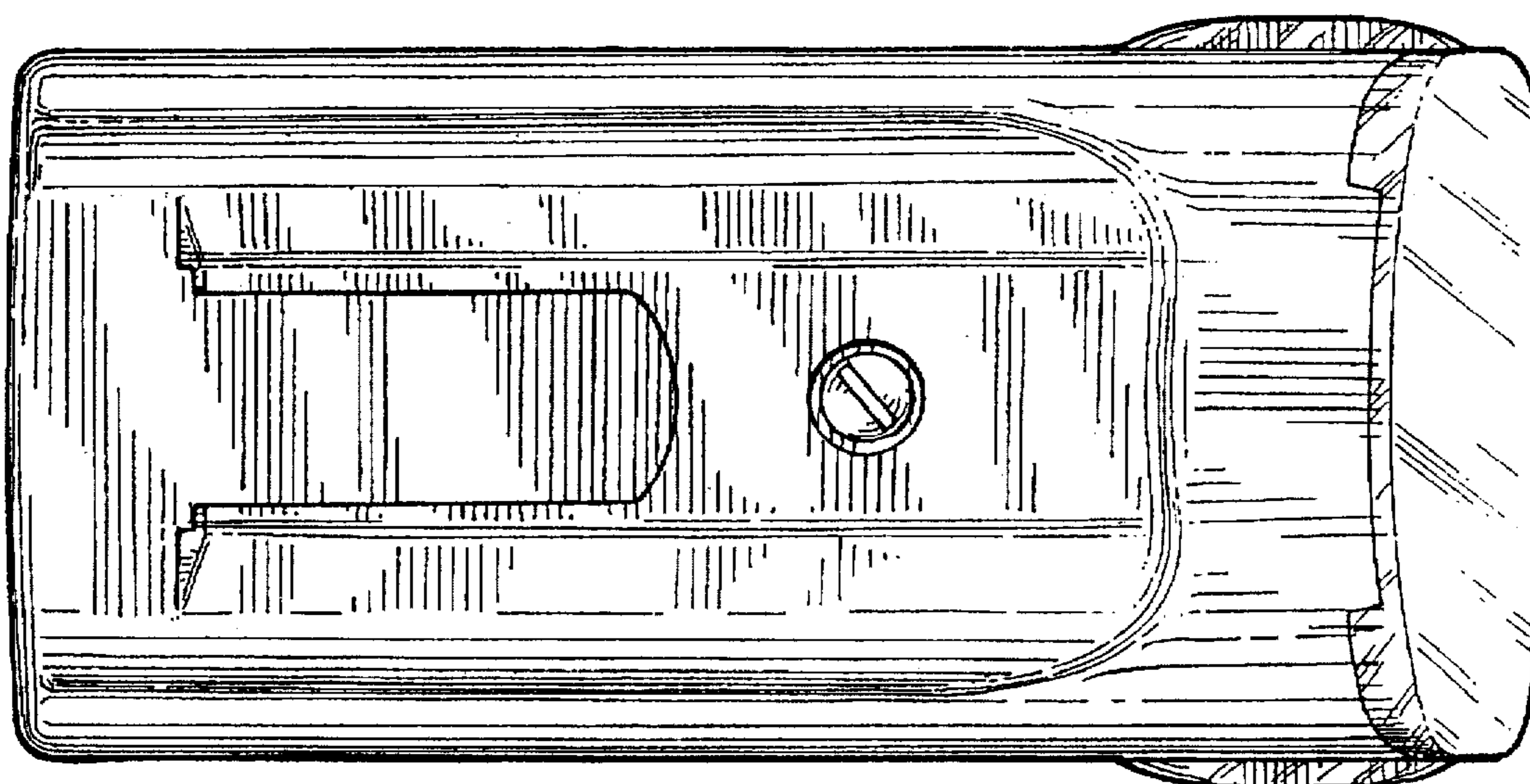


Fig. 4

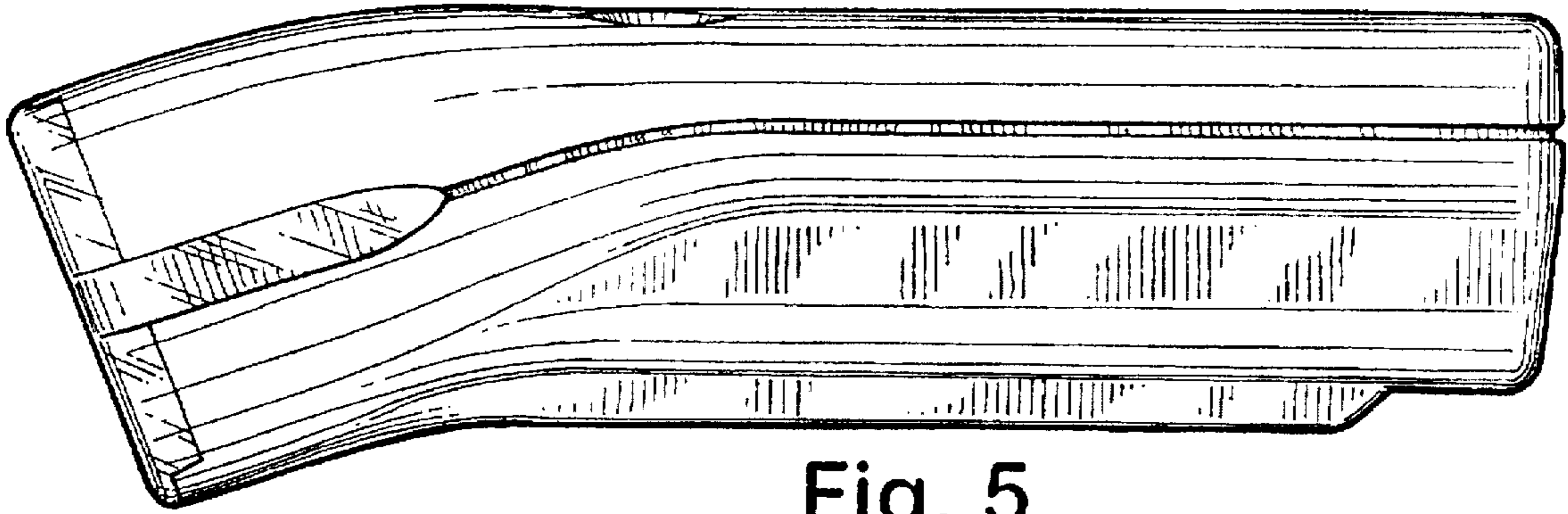


Fig. 5

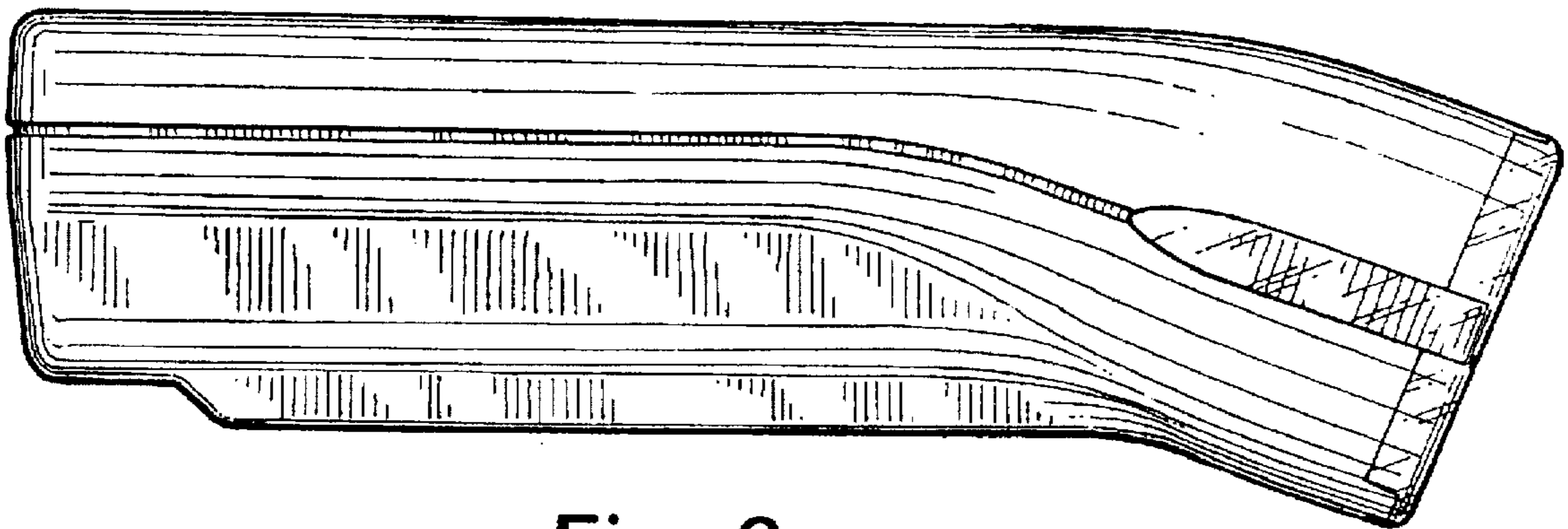


Fig. 6

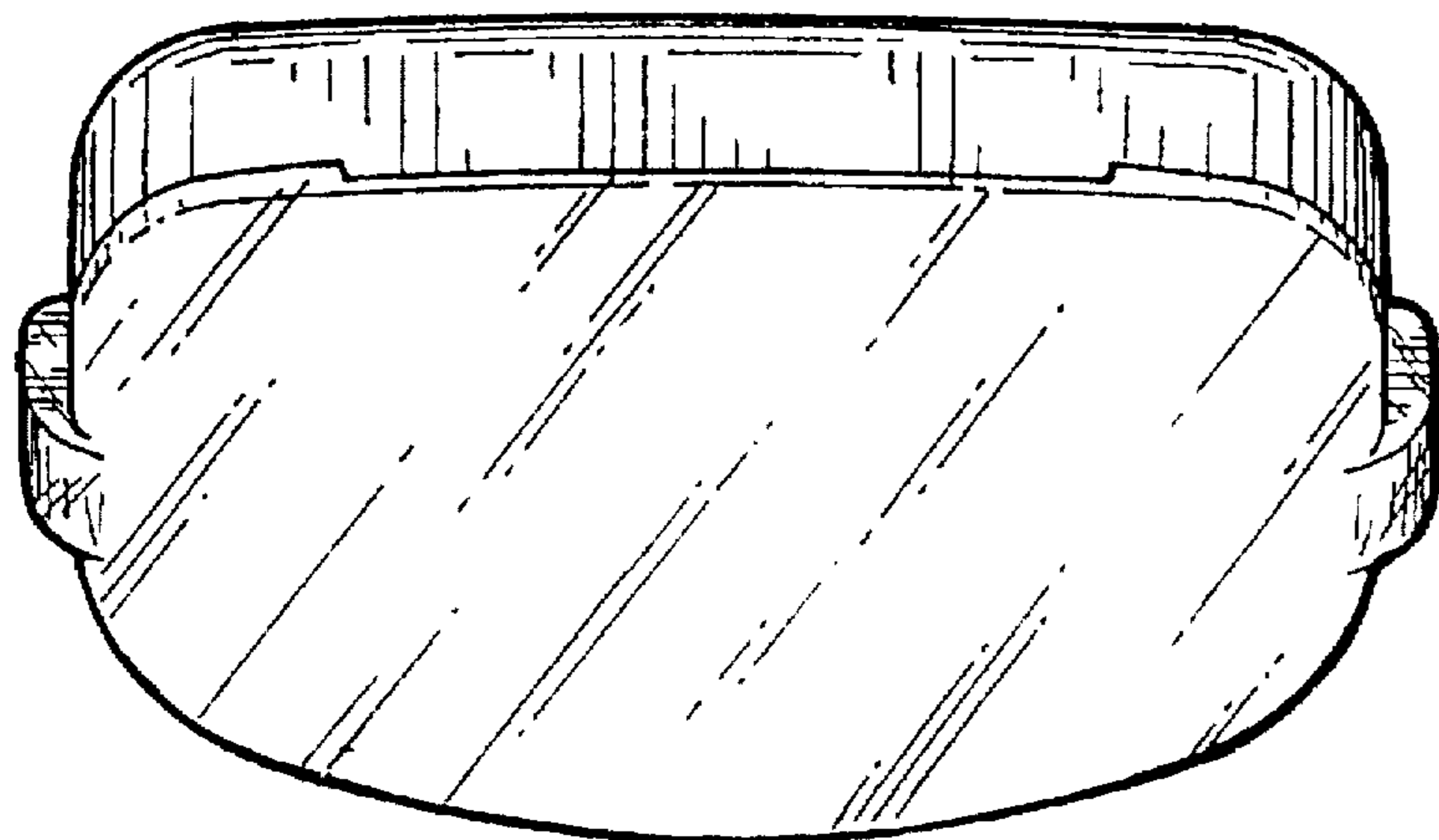


Fig. 7

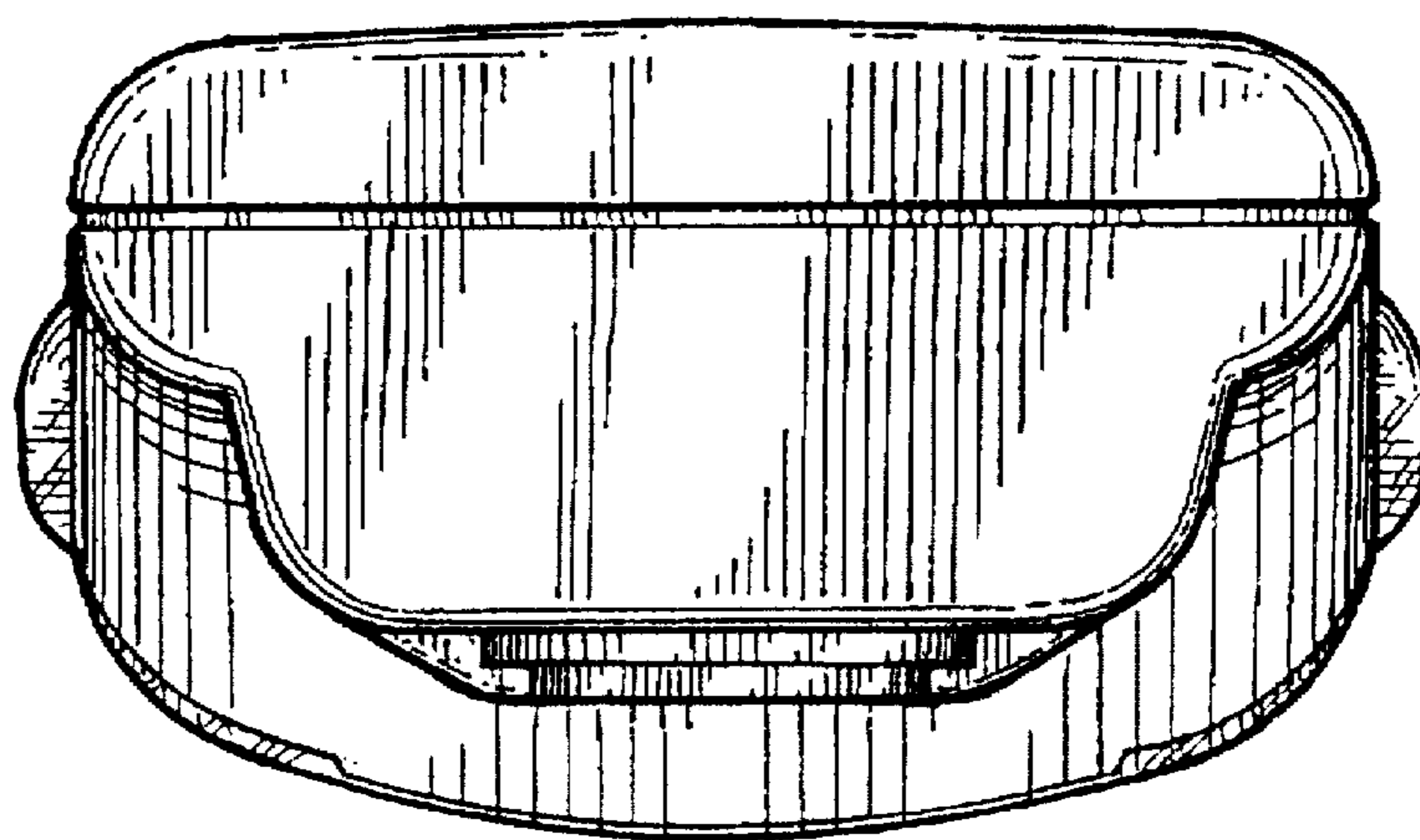


Fig. 8