



US00D394510S

United States Patent [19]

[11] Patent Number: **Des. 394,510**

Dallaire et al.

[45] Date of Patent: ****May 19, 1998**

[54] **PATIO DOOR JAMB**

[75] Inventors: **Raymond Dallaire; Dominique Dallaire**, both of Levis, Canada

[73] Assignee: **Dallaire Industries, Inc.**, Levis, Canada

[**] Term: **14 Years**

[21] Appl. No.: **60,853**

[22] Filed: **Oct. 9, 1996**

[30] **Foreign Application Priority Data**

Apr. 15, 1996 [CA] Canada 1996-0870

[51] LOC (6) Cl. **25-01**

[52] U.S. Cl. **D25/124**

[58] Field of Search D25/52, 60, 48, D25/124; 45/DIG. 1, DIG. 2, 501, 502, 504; 52/730, 731, 732, 738

[56] **References Cited**

U.S. PATENT DOCUMENTS

- D. 324,917 3/1992 Dallaire et al. D25/124
- D. 327,331 6/1992 Dallaire et al. D25/124

Primary Examiner—Doris Clark

Attorney, Agent, or Firm—Thomas, Kayden, Horstemeyer, & Risley, L.L.P.; James W. Kayden, Esq.

[57] **CLAIM**

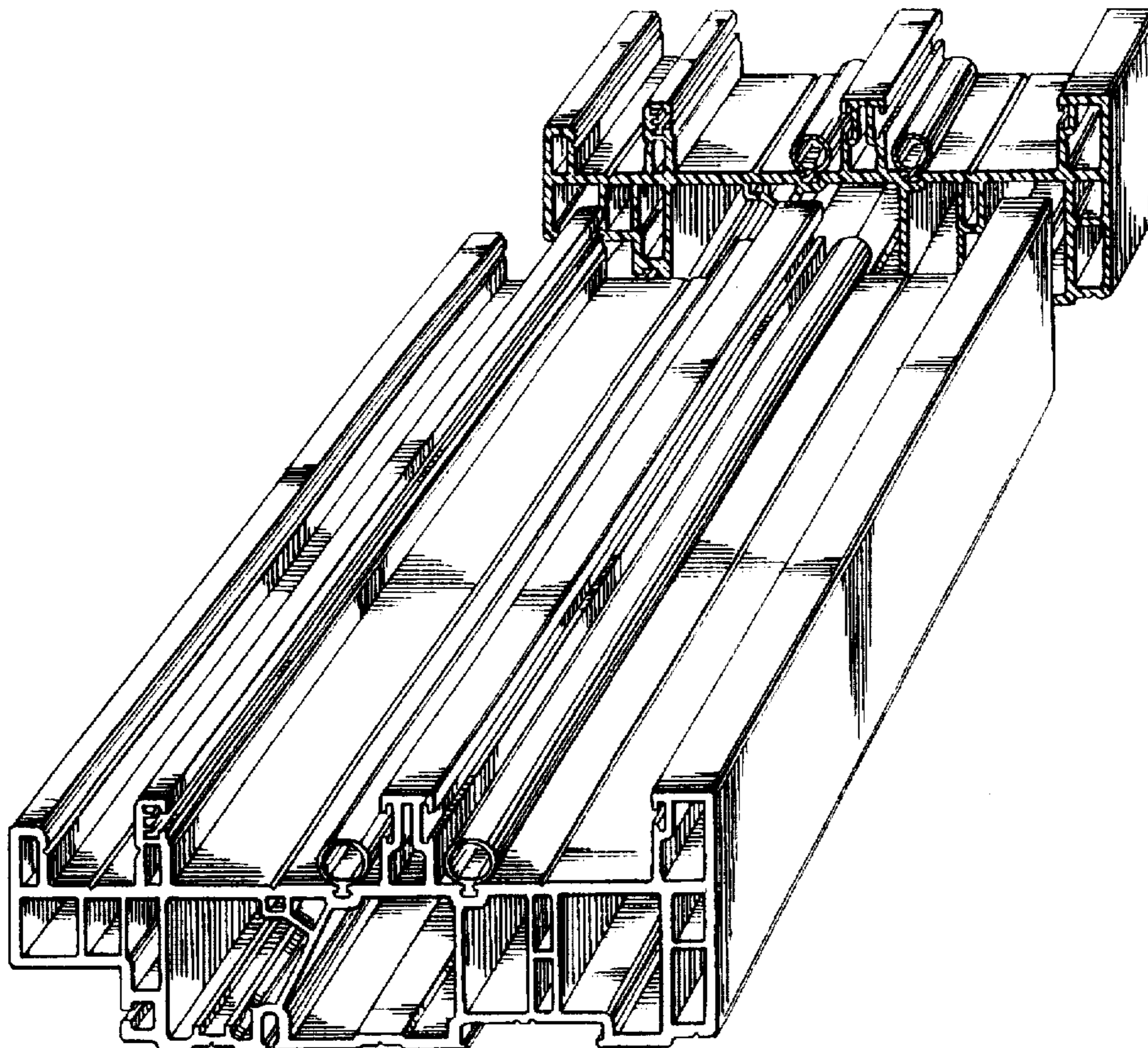
The ornamental design for a patio door jamb, as shown and described.

DESCRIPTION

FIG. 1 is a perspective view showing our new design;
 FIG. 2 is a left end elevational view thereof;
 FIG. 3 is a right end elevational view thereof;
 FIG. 4 is a top plan view thereof;
 FIG. 5 is a bottom plan view thereof;
 FIG. 6 is a rear elevational view thereof;
 FIG. 7 is a front elevational view thereof;
 FIG. 8 is a perspective view of a second embodiment thereof;
 FIG. 9 is a left end elevational view thereof;
 FIG. 10 is a right end elevational view thereof;
 FIG. 11 is a top plan view thereof;
 FIG. 12 is a bottom plan view thereof;
 FIG. 13 is a rear elevational view thereof; and,
 FIG. 14 is a front elevational view thereof.

The patio door jamb is broken in the center to indicate indefinite length.

1 Claim, 10 Drawing Sheets



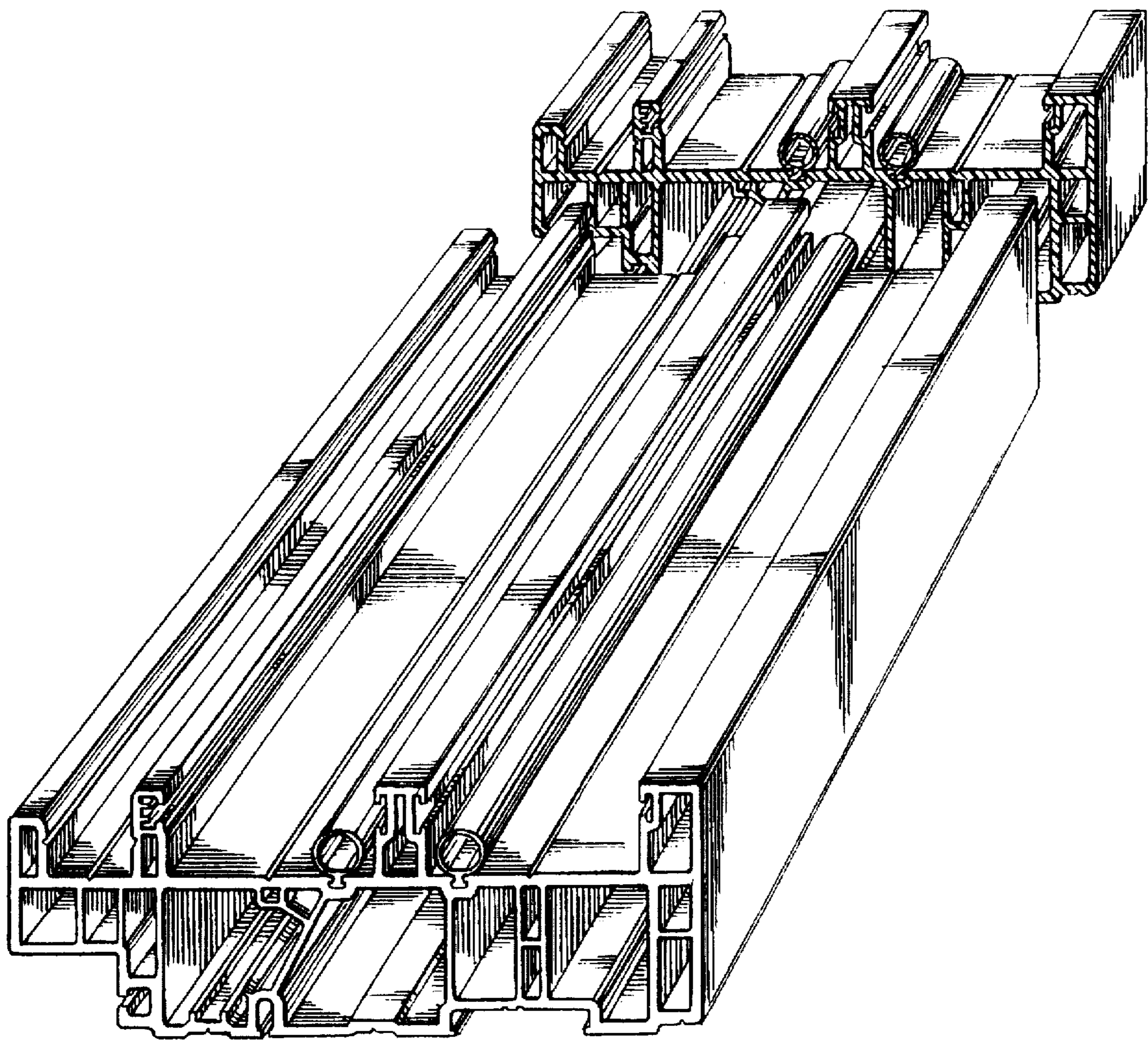


FIG. 1

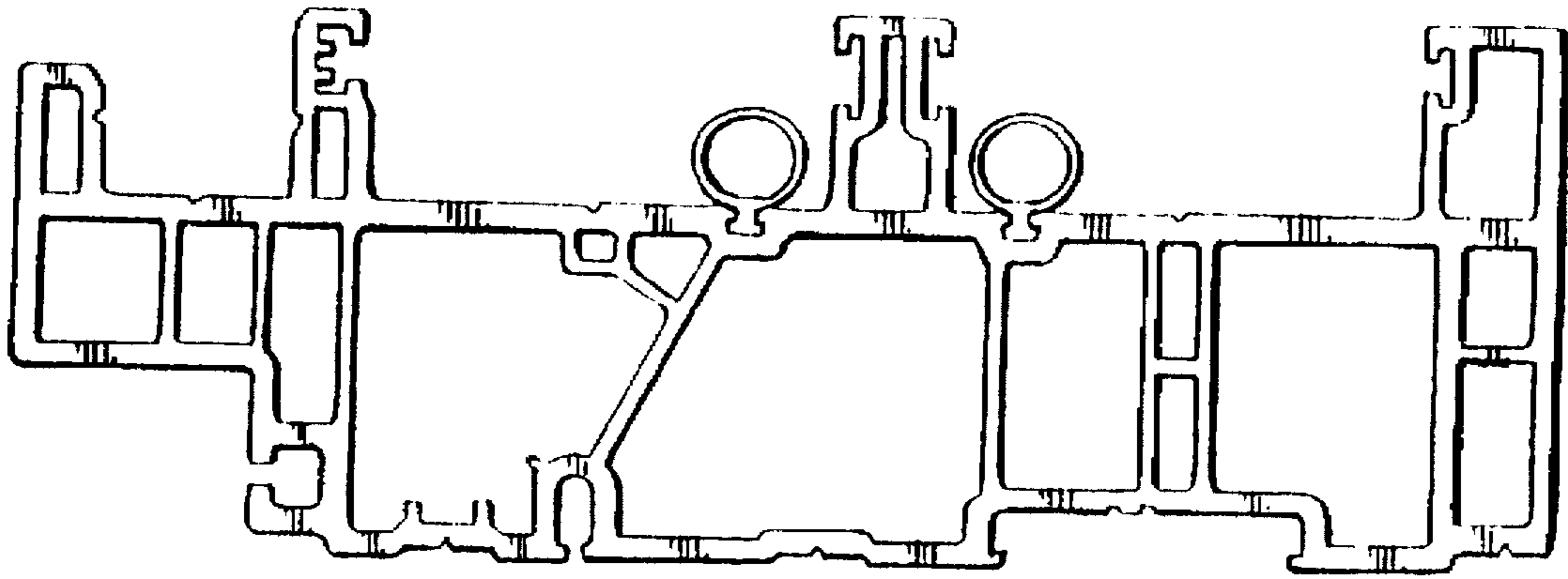


FIG. 2

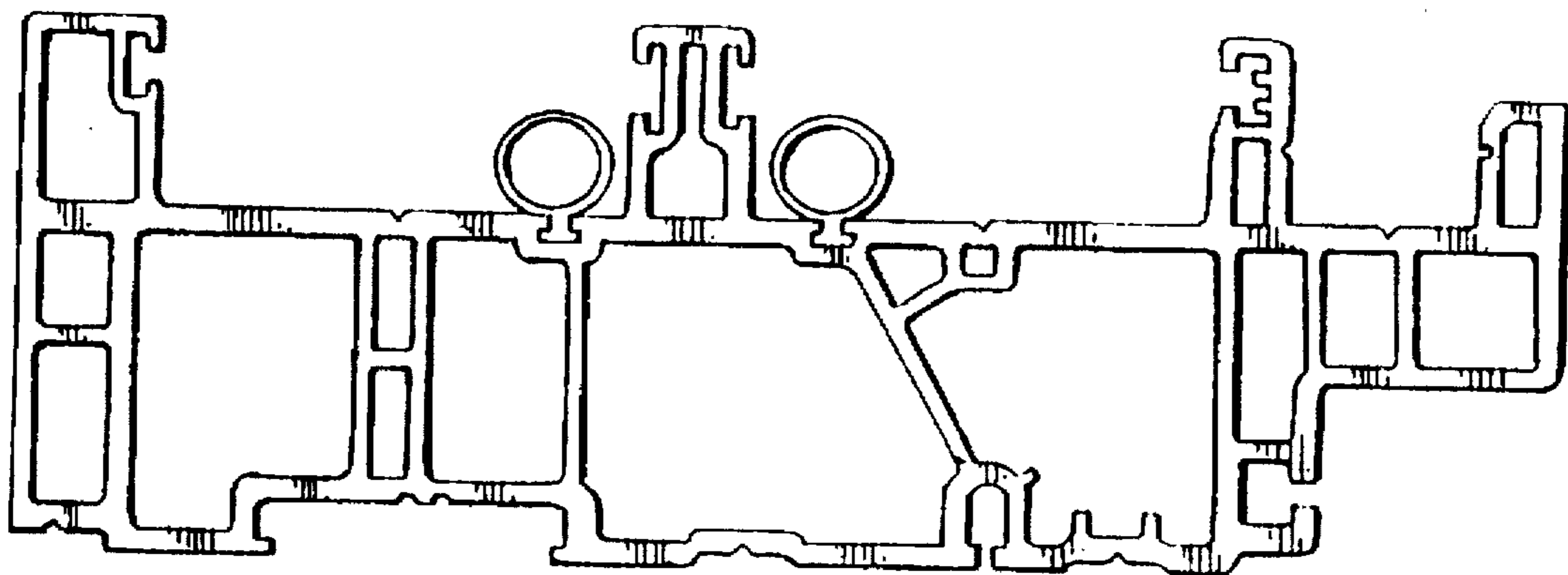


FIG. 3

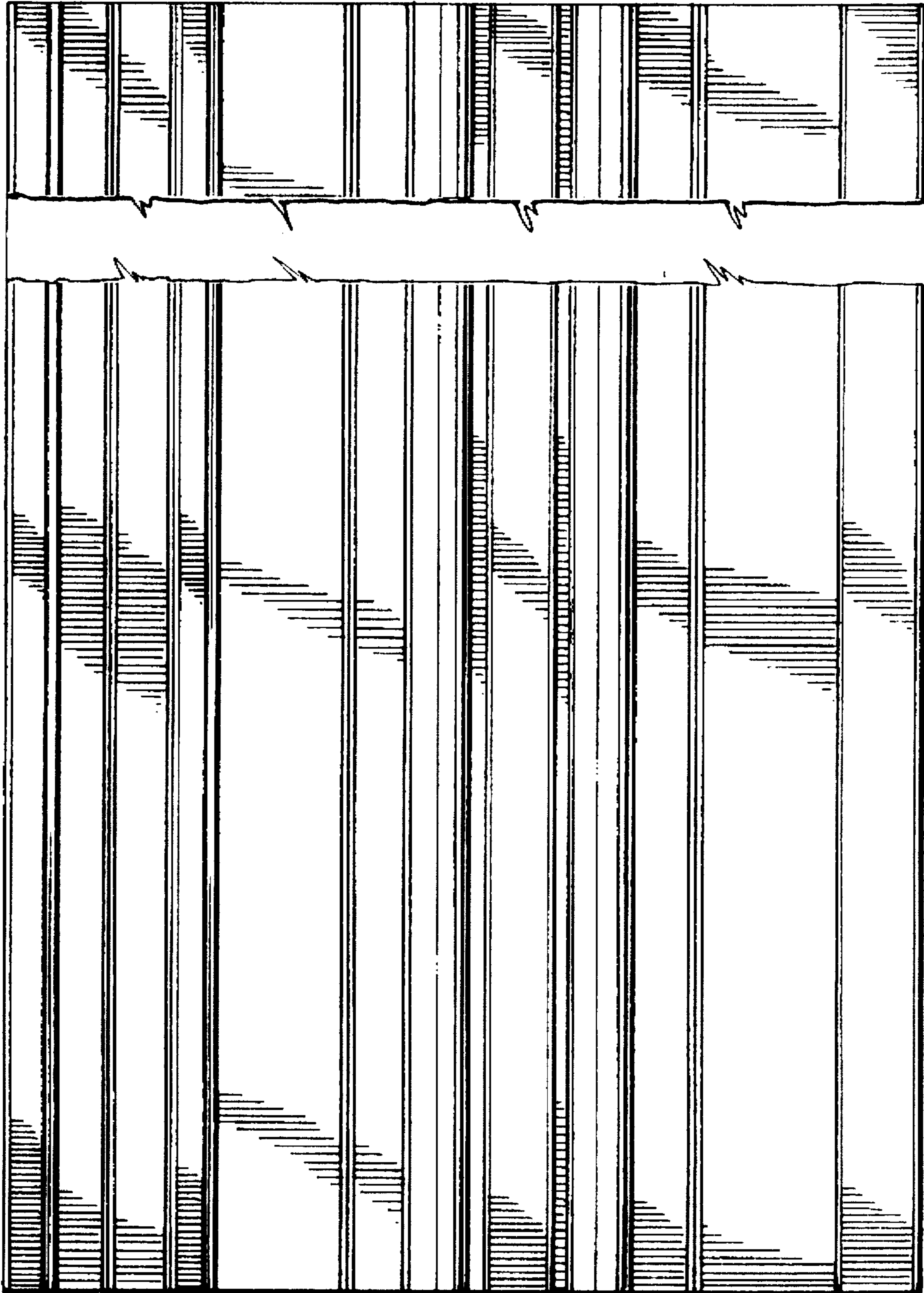


FIG. 4

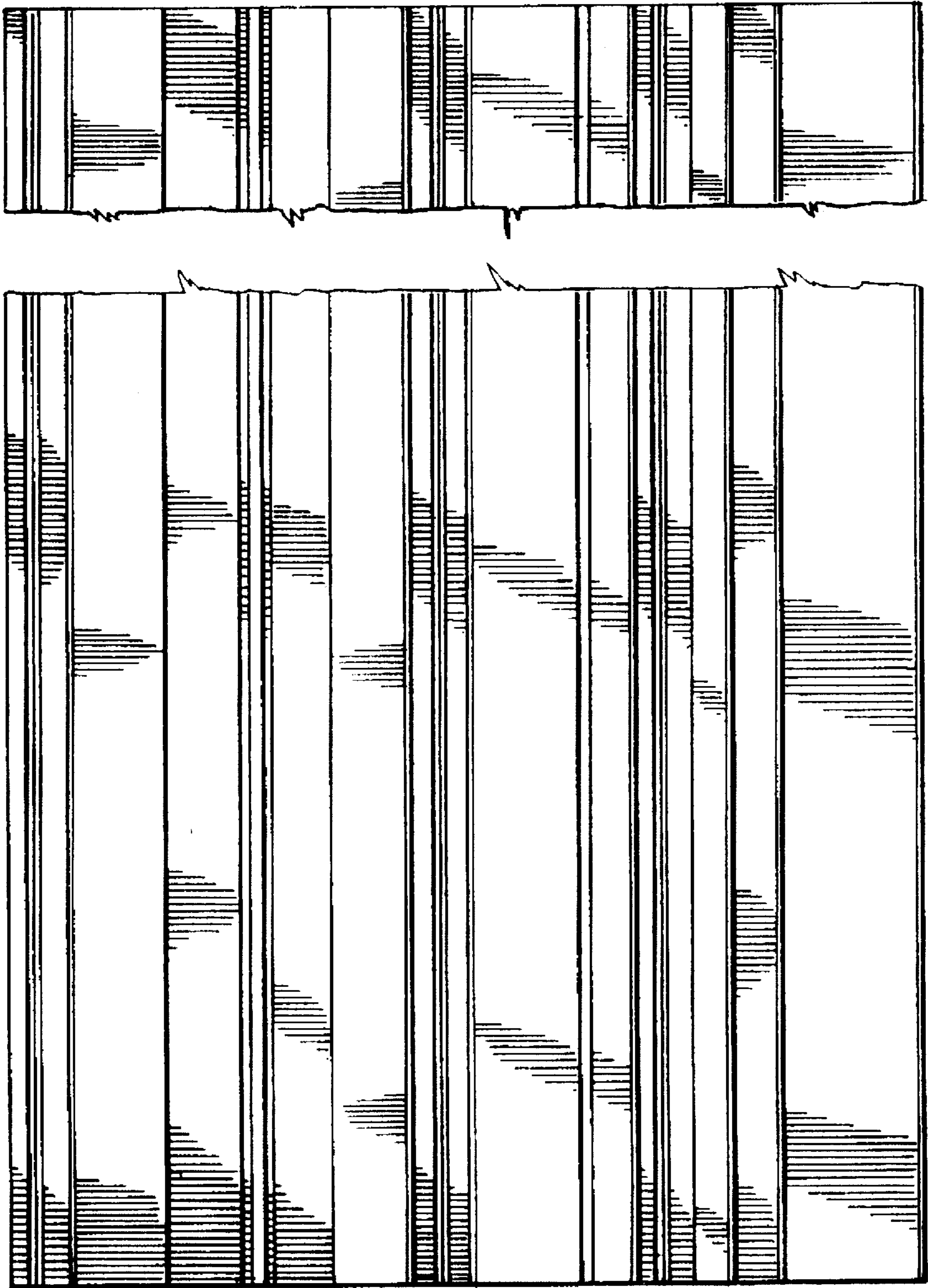


FIG. 5

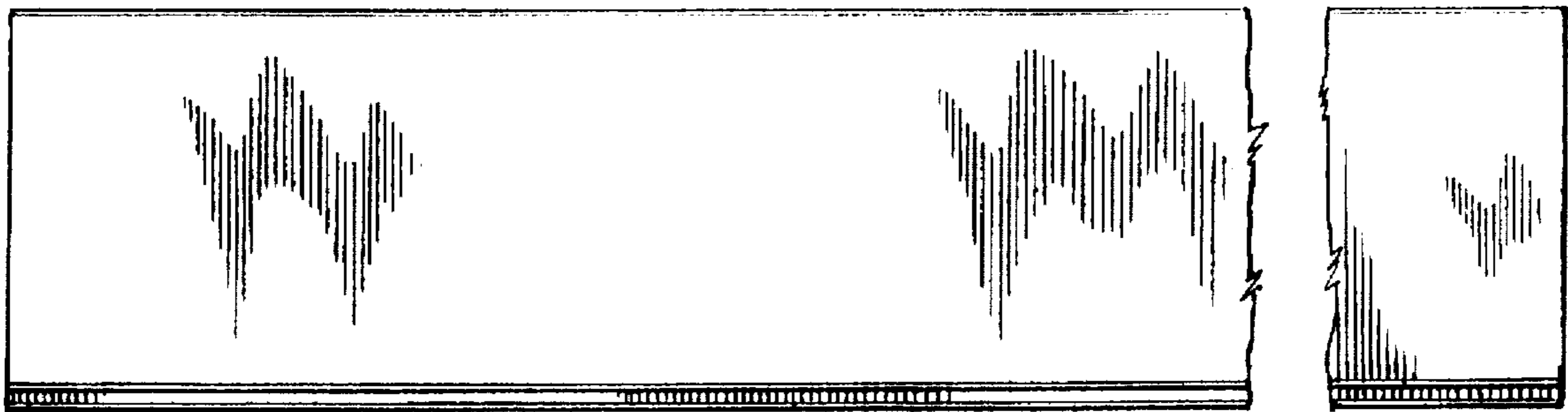


FIG. 6

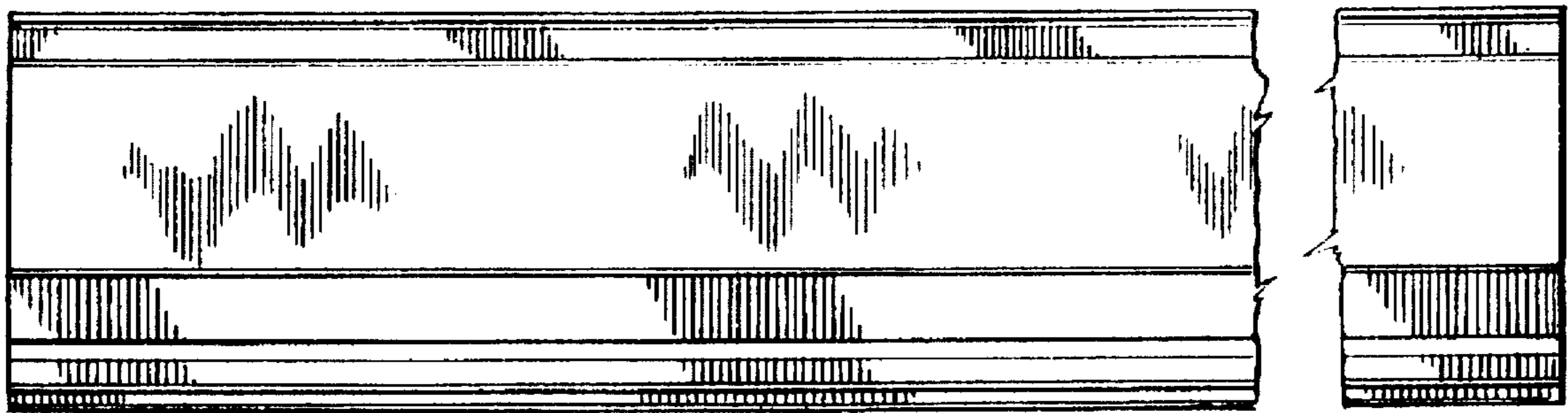


FIG. 7

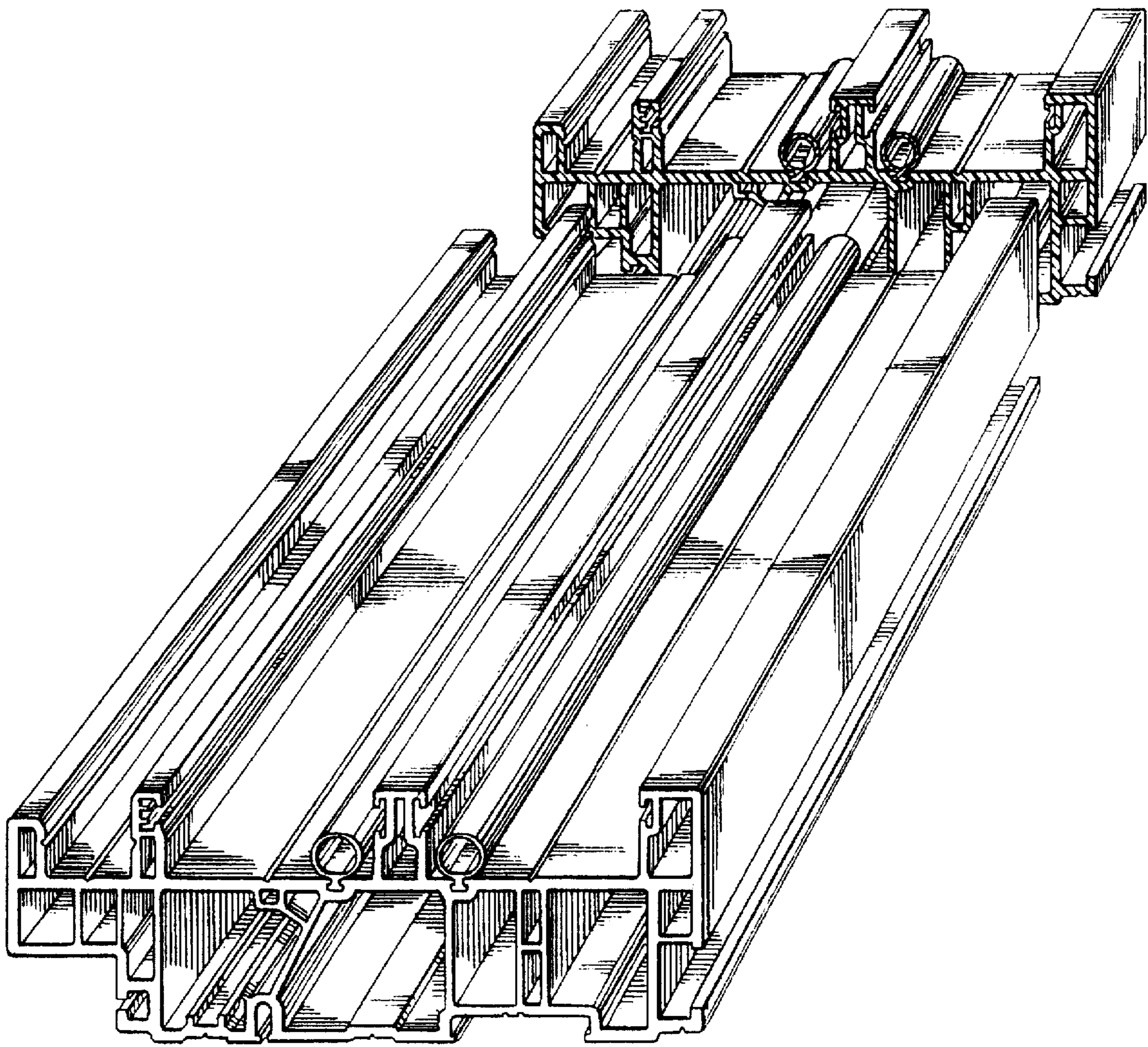


FIG. 8

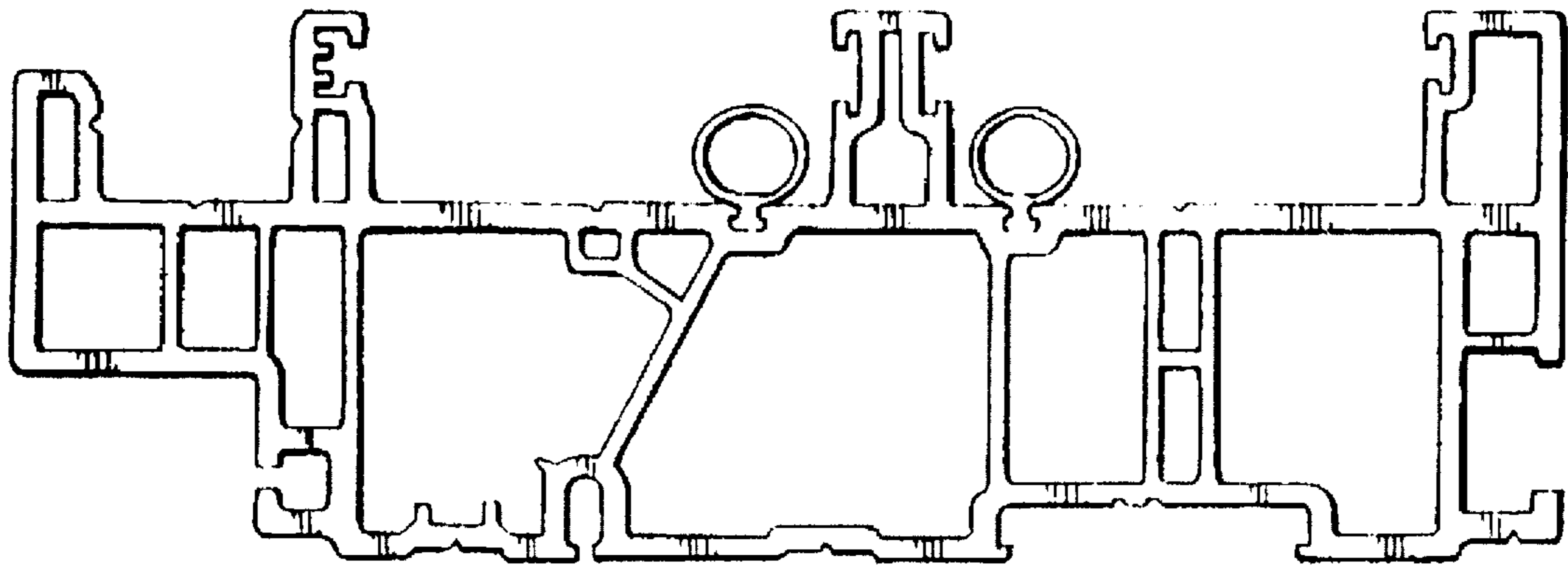


FIG. 9

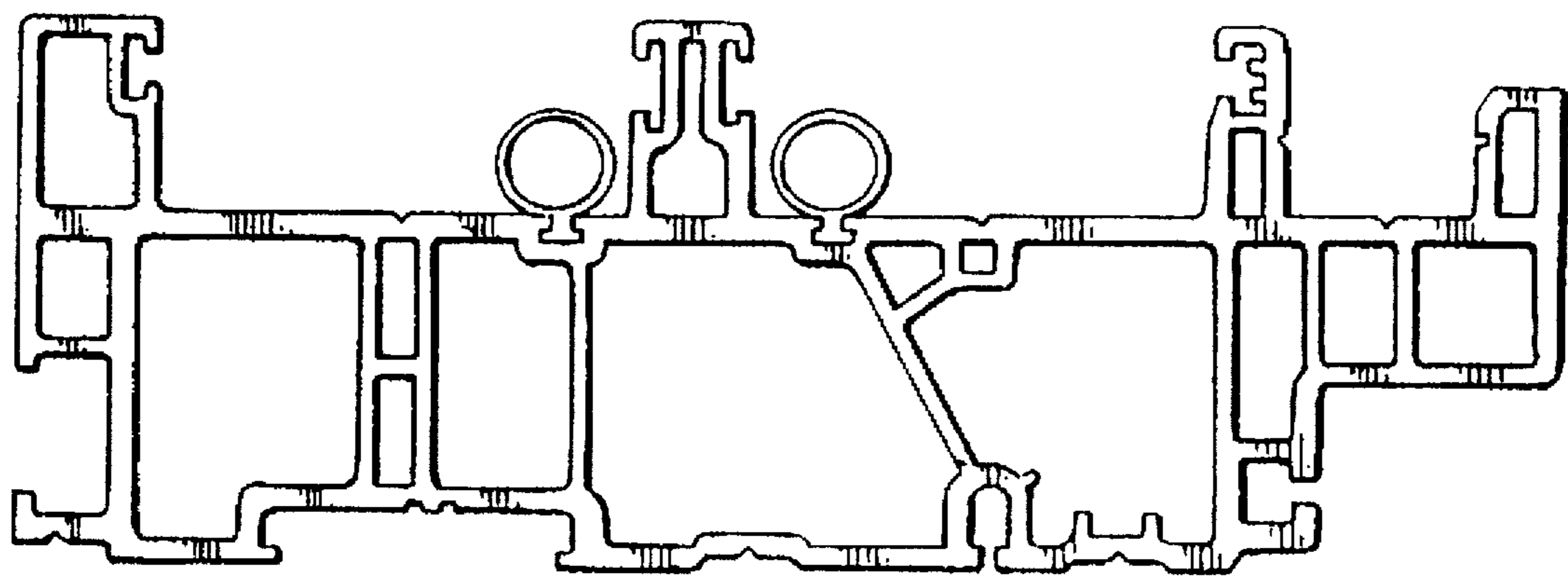


FIG. 10

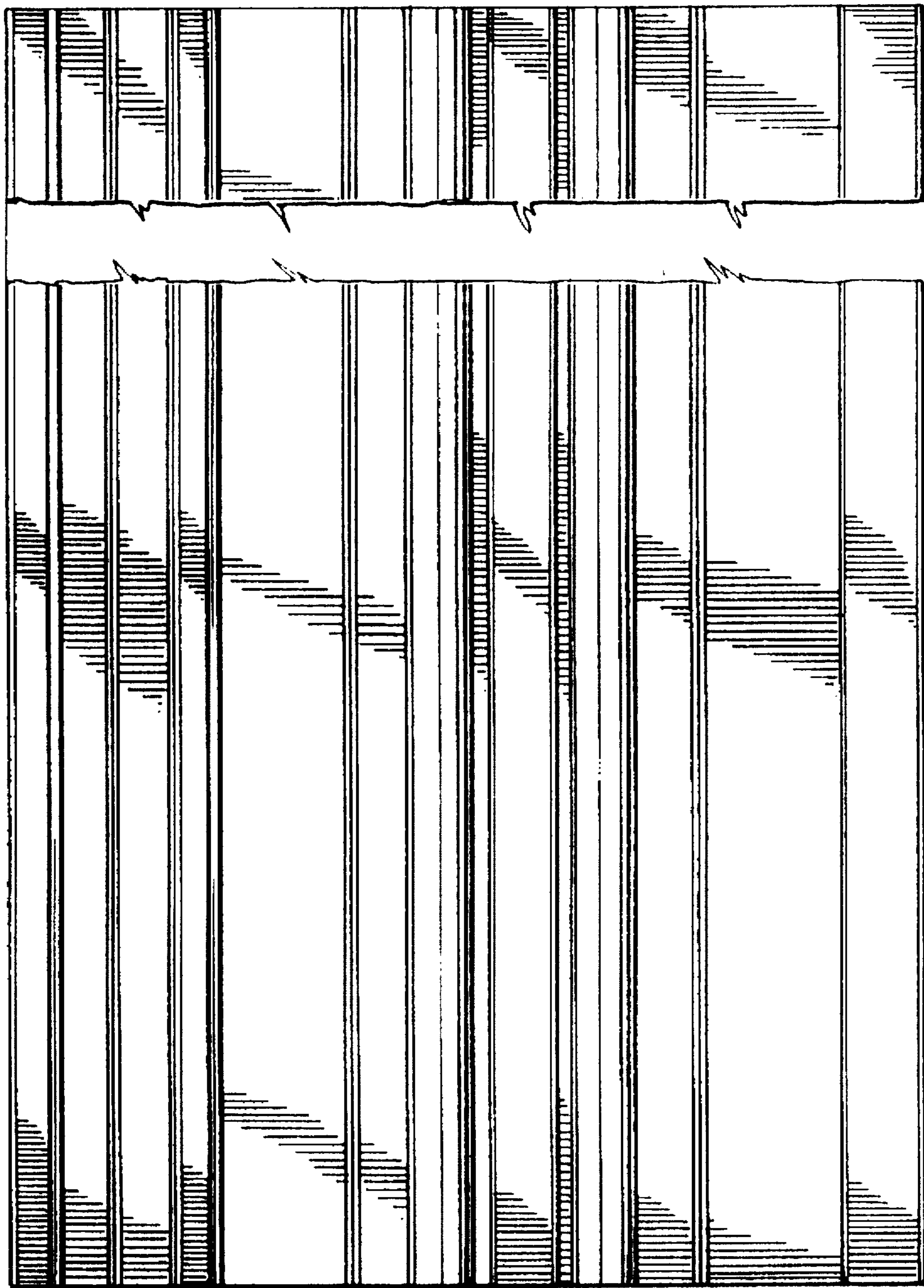


FIG. 11

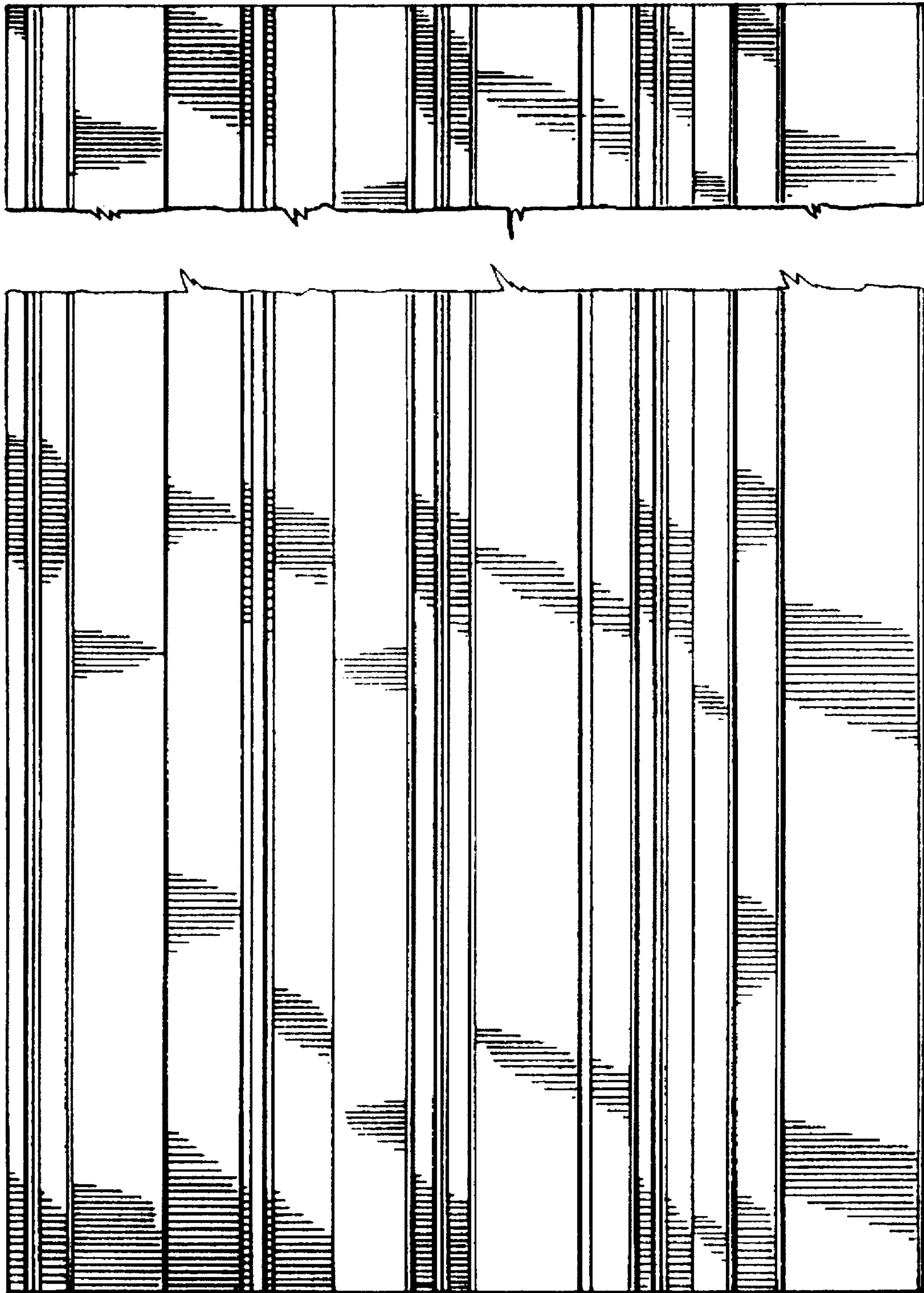


FIG. 12

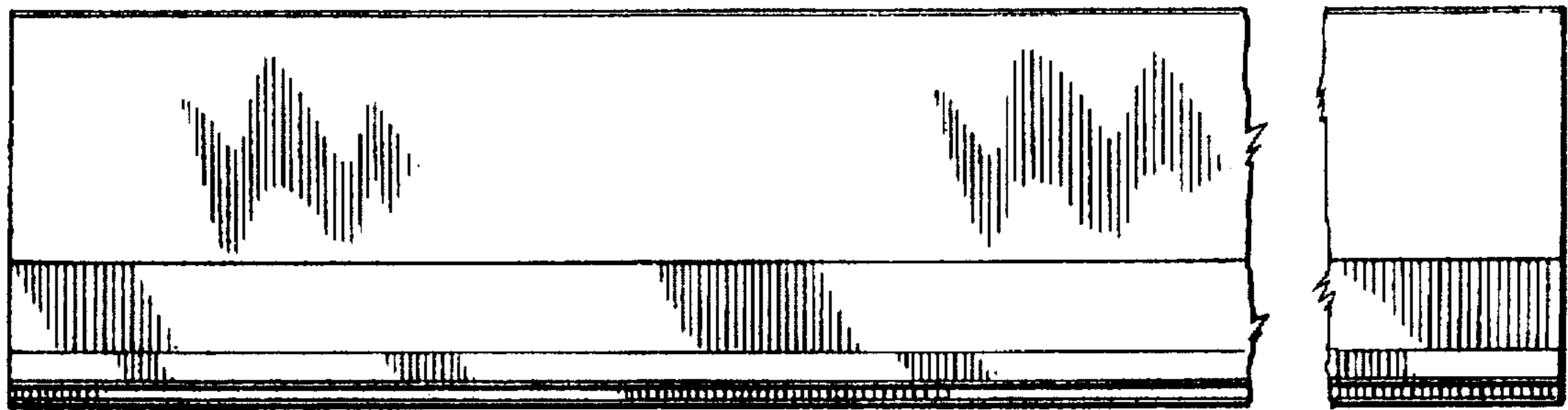


FIG. 13

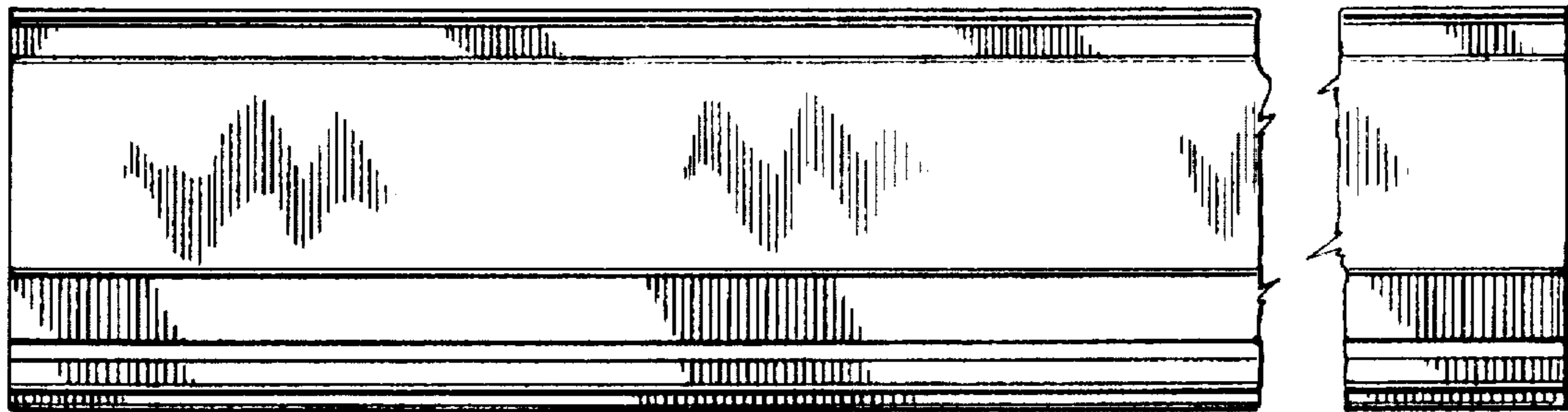


FIG. 14