



US00D394509S

United States Patent [19]

Franson

[11] Patent Number: **Des. 394,509**

[45] Date of Patent: *****May 19, 1998**

[54] **WINDOW COMPONENT EXTRUSION**

[75] Inventor: **Jeffrey R. Franson**, Kent, Wash.

[73] Assignee: **Mikron Industries, Inc.**, Kent, Wash.

[*] Notice: The portion of the term of this patent subsequent to Nov. 19, 2010, has been disclaimed.

[**] Term: **14 Years**

[21] Appl. No.: **47,378**

[22] Filed: **Dec. 1, 1995**

[51] LOC (6) Cl. **25-01**

[52] U.S. Cl. **D25/124**

[58] Field of Search D25/119-125,
D25/60, 52; 49/501, 504, DIG. 2, 407,
408; 52/204.5

[56] **References Cited**

U.S. PATENT DOCUMENTS

D. 325,982 5/1992 Dallaire et al. D25/124

OTHER PUBLICATIONS

Mikron Industries Design No. 7132, Inventor: Lorane Goss filed Nov. 14, 1995 SN 046771.

Primary Examiner—Doris Clark
Attorney, Agent, or Firm—Richardson & Folise

[57] **CLAIM**

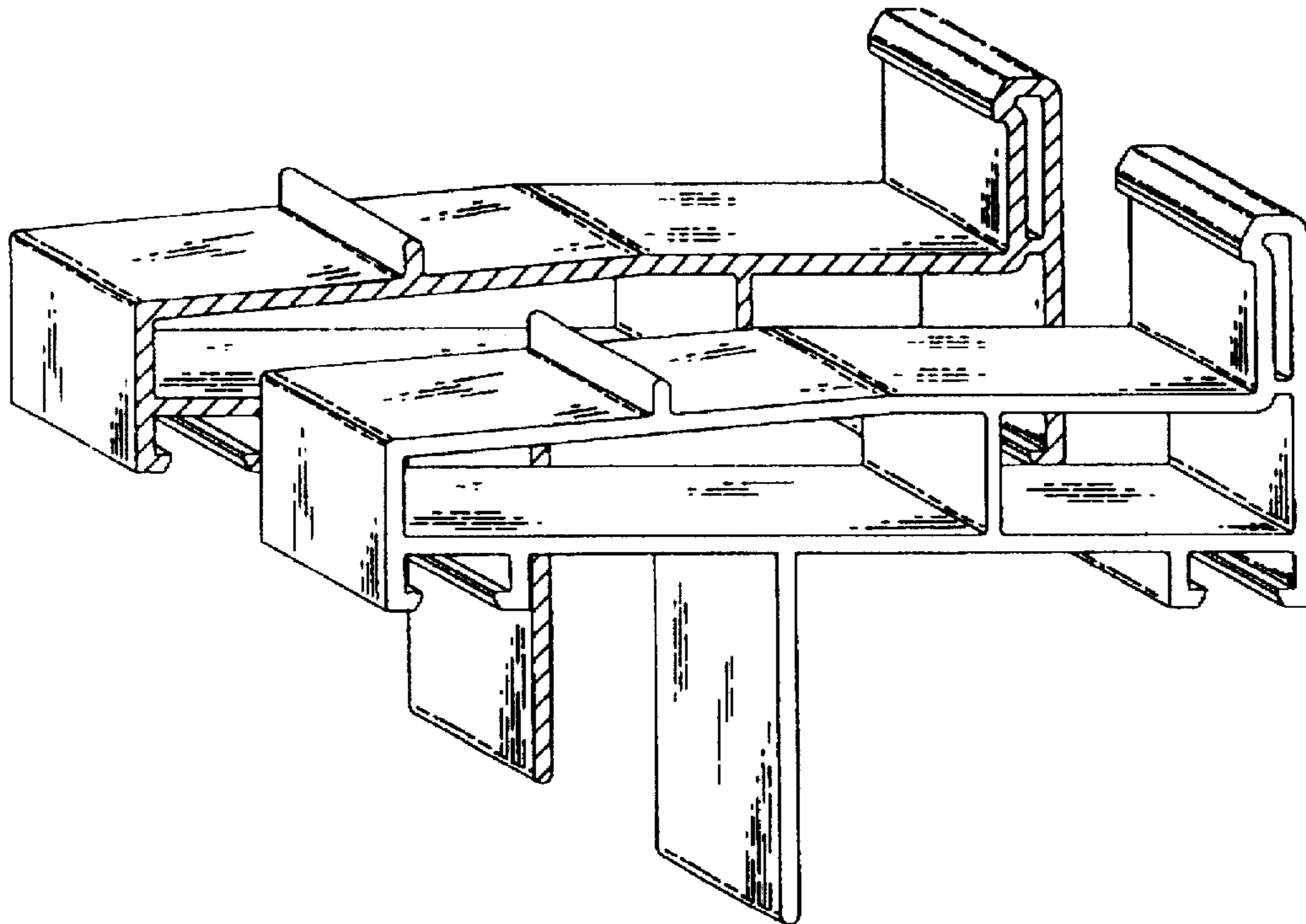
The ornamental design for a window component extrusion, as shown and described.

DESCRIPTION

FIG. 1 is a top right perspective view of the window component extrusion which is broken in the center indicating indefinite length; and,

FIG. 2 is a bottom left perspective view of the window component extrusion shown in FIG. 1.

1 Claim, 1 Drawing Sheet



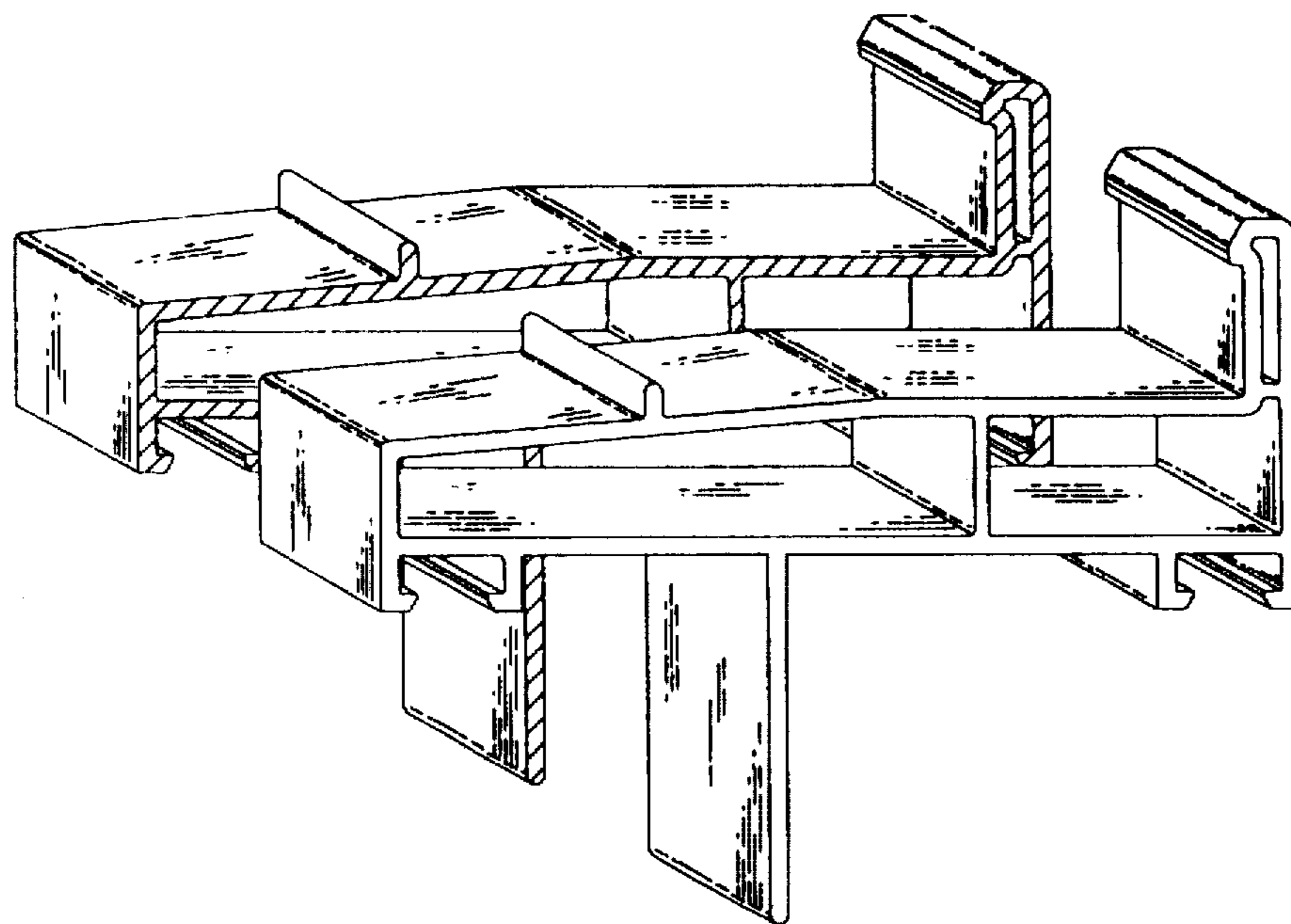


FIG. 1

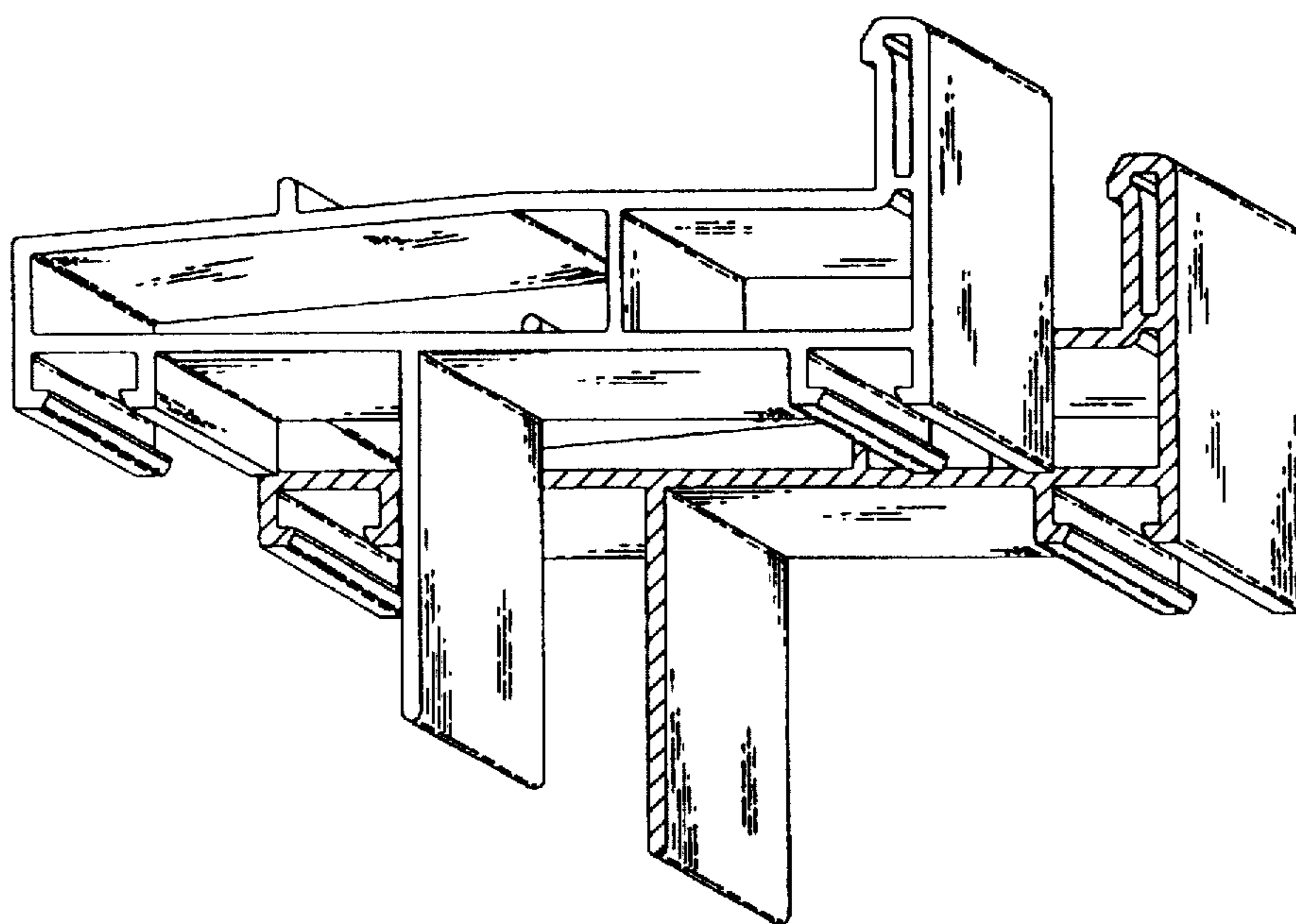


FIG. 2