



US00D394508S

United States Patent [19]
Nuzzio

[11] **Patent Number: Des. 394,508**

[45] **Date of Patent: **May 19, 1998**

[54] **LABORATORY ORGANIZER**

[76] **Inventor: Donald B. Nuzzio, 118 Old York Rd., Ringoes, N.J. 08551**

[**] **Term: 14 Years**

[21] **Appl. No.: 51,247**

[22] **Filed: Mar. 7, 1996**

Related U.S. Application Data

[62] **Division of Ser. No. 858,775, Mar. 27, 1992, abandoned.**

[51] **LOC (6) Cl. 24-01**

[52] **U.S. Cl. D24/234**

[58] **Field of Search D24/232, 234; D6/484; 248/244, 245; D25/121, 122, 123, 124, 125, 120, 128, 62; 24/134, 153, 191**

[56] **References Cited**

U.S. PATENT DOCUMENTS

D. 221,846	9/1971	Dexter	D24/234
D. 330,940	11/1992	Engel	D24/234
3,096,733	7/1963	Jentzen	D25/123 X
3,498,654	3/1970	Diaz et al.	D6/484 X

4,176,494	12/1979	Buncher et al.	D24/123 X
4,519,511	5/1985	Mendenhall	211/191 X
4,621,938	11/1986	Weilow	211/191 X
4,712,695	12/1987	Cheng	211/191
4,930,643	6/1990	Flum	211/194 X

Primary Examiner—Stella Reid
Attorney, Agent, or Firm—Mathews, Collins, Shepherd & Gould

[57] **CLAIM**

The ornamental design for a laboratory organizer, as shown and described.

DESCRIPTION

FIG. 1 is a front perspective view of a laboratory organizer, showing my new design;
FIG. 2 is a side elevational view thereof, the opposite side elevational view being identical thereto;
FIG. 3 is a top plan view thereof;
FIG. 4 is a bottom plan view thereof;
FIG. 5 is a left end elevational view thereof; and,
FIG. 6 is a right end elevational view thereof.
The broken line showing in FIGS. 1–6 is for illustrative purposes only and forms no part of the claimed design.

1 Claim, 2 Drawing Sheets

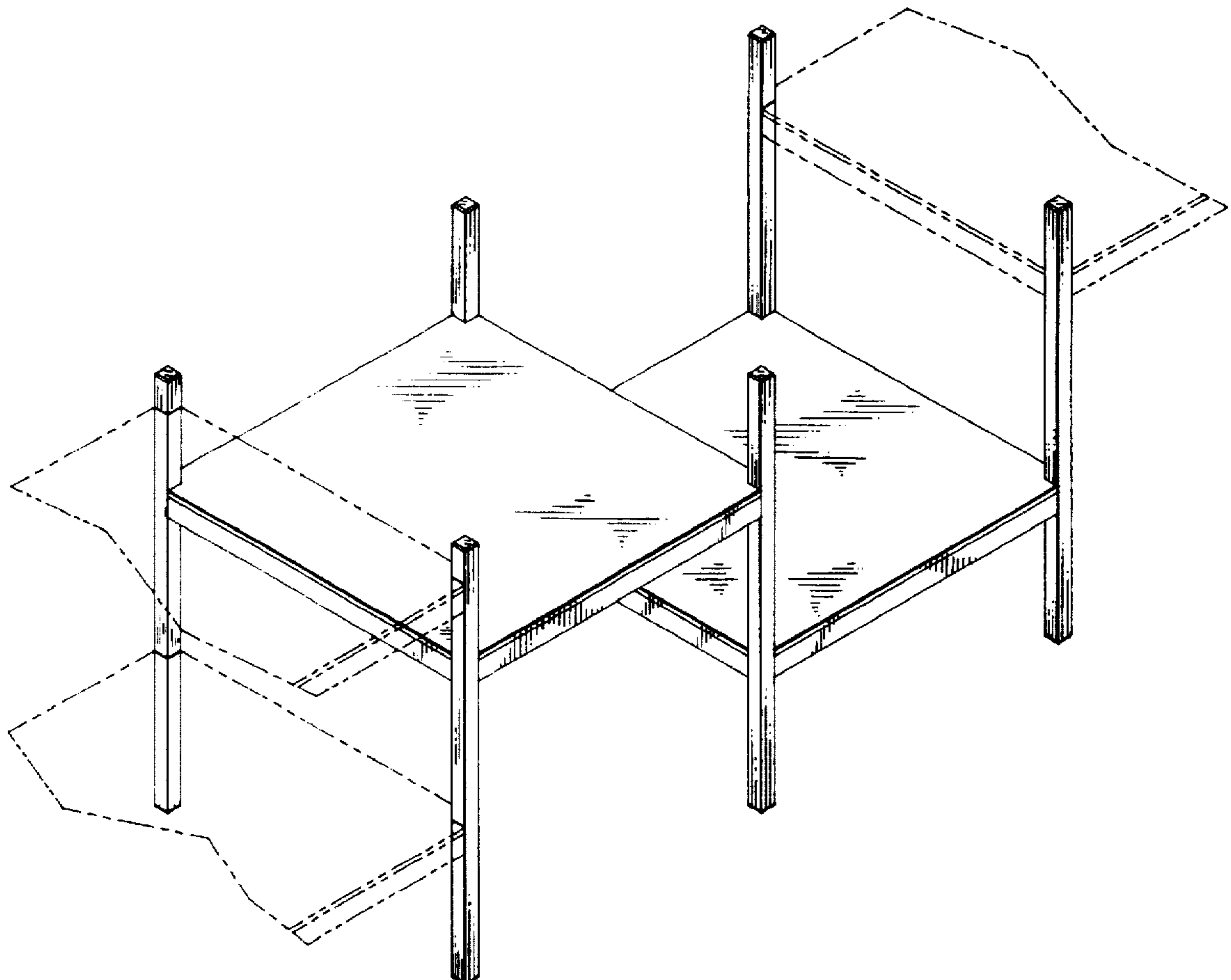


FIG. 1

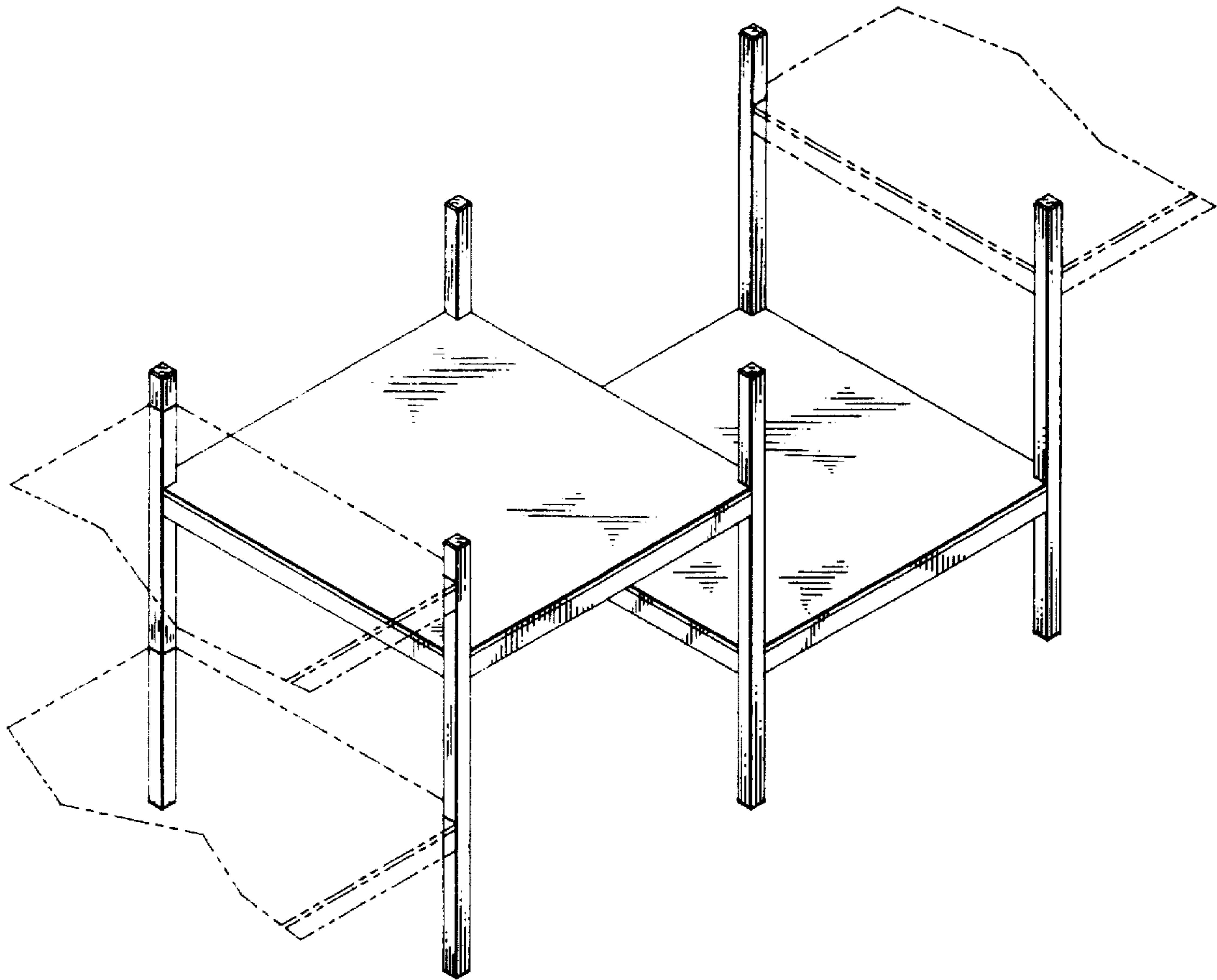


FIG. 2

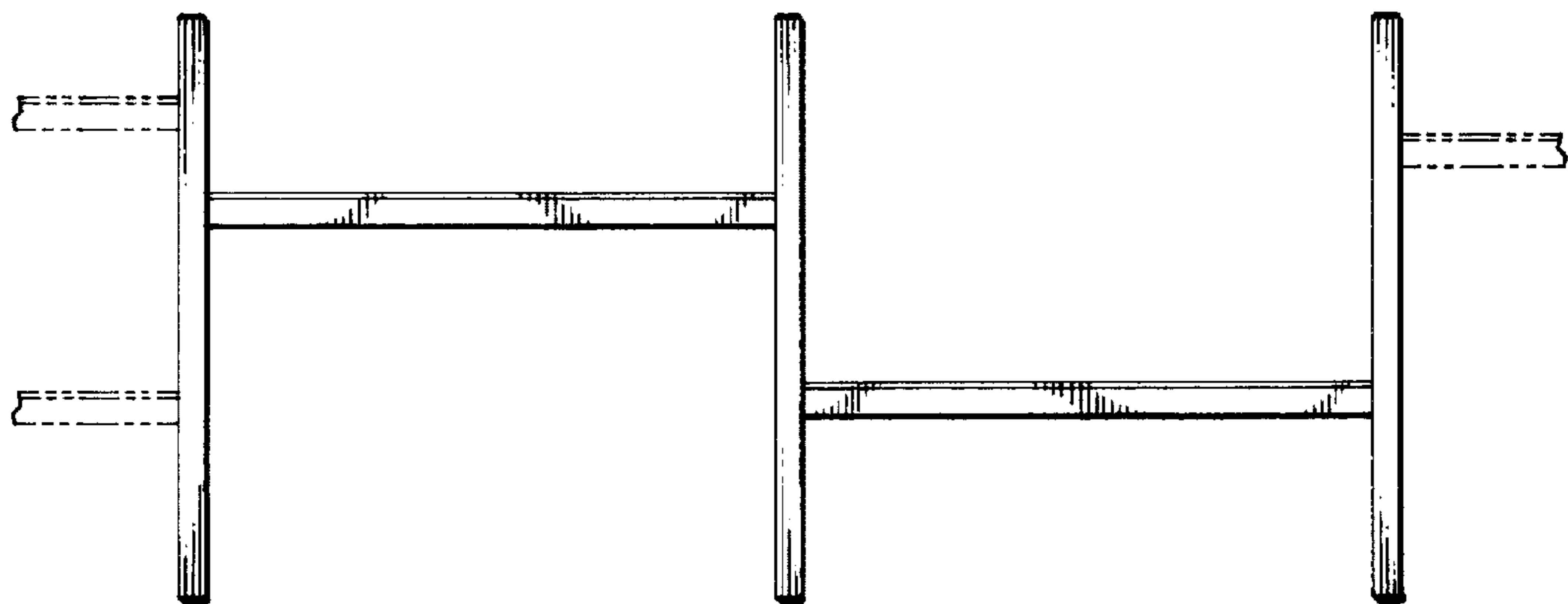


FIG. 3

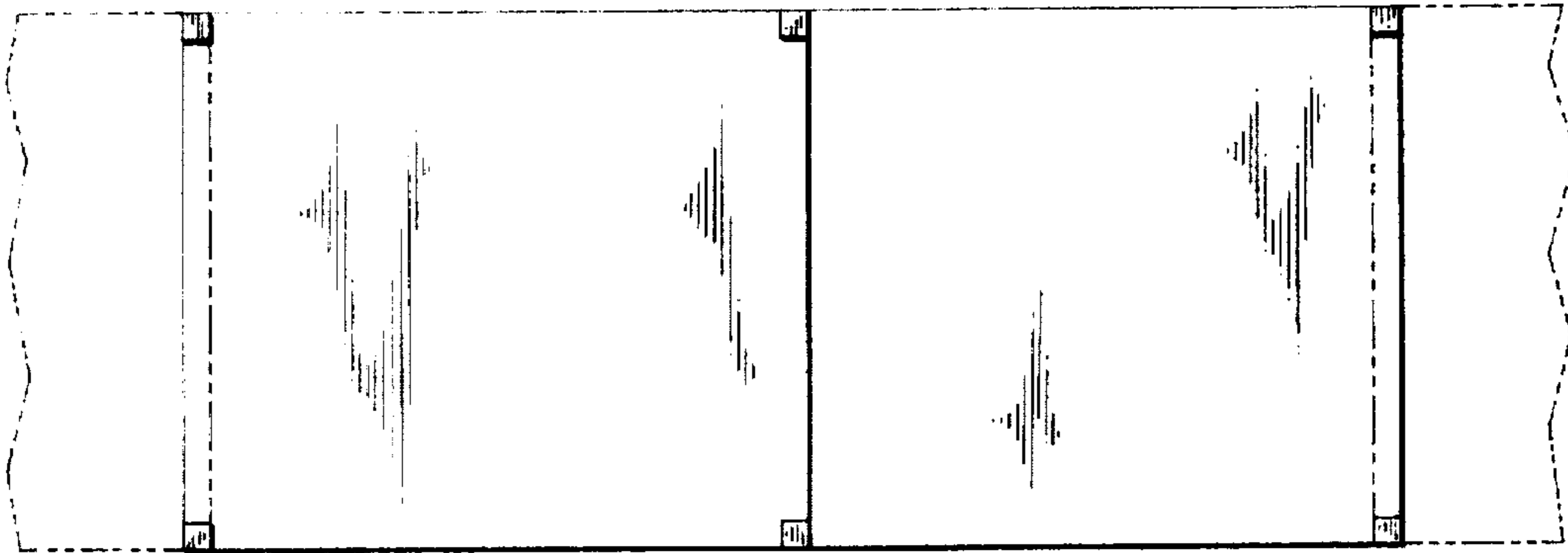


FIG. 4

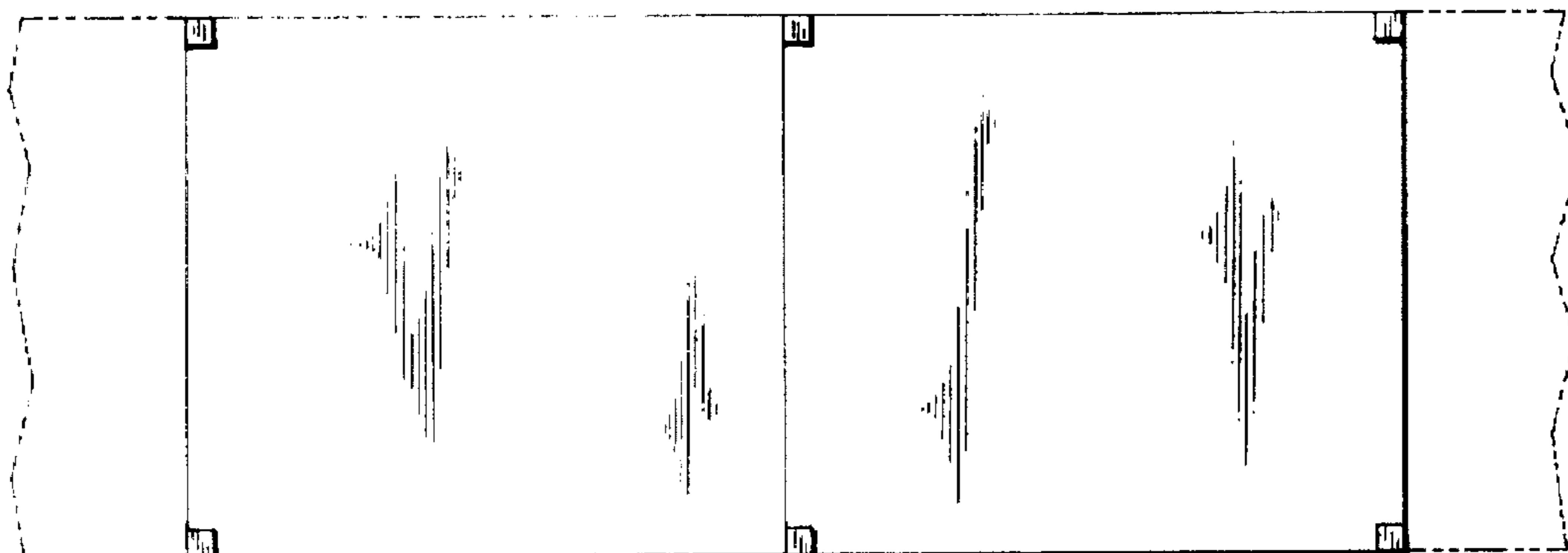


FIG. 5

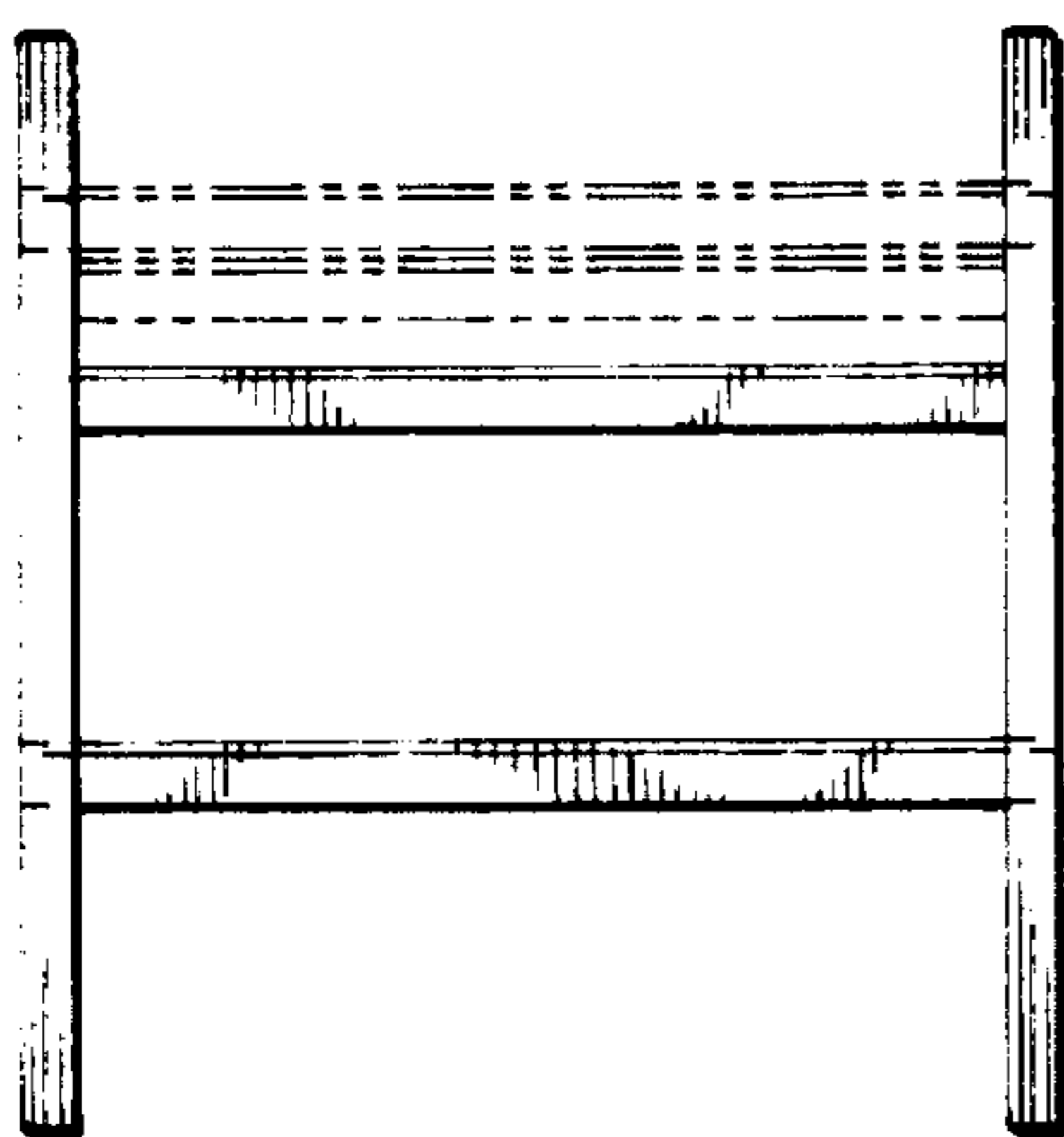


FIG. 6

