



US00D394504S

United States Patent [19]

[11] Patent Number: **Des. 394,504**

Weller et al.

[45] Date of Patent: ****May 19, 1998**

[54] **PROSTHETIC DEVICE WITH A RETAINING STRAP**

4,972,849 11/1990 Park .
5,360,390 11/1994 Maanum .

[75] Inventors: **James M. Weller**, Blaine; **John C. Field**, St. Paul, both of Minn.

FOREIGN PATENT DOCUMENTS

2221116 10/1974 France .
2355495 6/1975 France .

[73] Assignee: **Gain, Incorporated**, St. Paul, Minn.

OTHER PUBLICATIONS

[**] Term: **14 Years**

1994, Adam & Eve catalog pp. 1, 44 (copyright page), 48 & 52.

[21] Appl. No.: **72,216**

Apr. 5, 1991, Mail Potency Clinic's response to product inquiry letter.

[22] Filed: **Feb. 10, 1997**

Nov. 4, 1990, Minneapolis Star Tribune article.

Nov. 11, 1990, Minneapolis Star Tribune article.

Related U.S. Application Data

1985, FDA filing K850966 (best available copy).

1984, FDA filing K840259 (best available copy).

[63] Continuation of Ser. No. 53,742, Apr. 29, 1996, abandoned.

[51] **LOC (6) Cl.** **24-03**

Primary Examiner—Kay H. Chin

[52] **U.S. Cl.** **D24/155**

Attorney, Agent, or Firm—Merchant, Gould, Smith, Edell, Welter & Schmidt, P.A.

[58] **Field of Search** D24/155; 600/39; 128/842, 844; 604/347

[57] CLAIM

[56] References Cited

The ornamental design for a prosthetic device with a retaining strap, as shown and described.

U.S. PATENT DOCUMENTS

DESCRIPTION

- 1,206,324 11/1916 Hart .
- 1,362,398 12/1920 Crawford et al. .
- 1,383,944 7/1921 Hart .
- 1,585,861 5/1926 Huff .
- 2,471,360 5/1949 Thorne .
- 2,868,192 1/1959 Dannen .
- 2,899,957 8/1959 Briggs .
- 3,495,588 2/1970 Walters .
- 3,648,700 3/1972 Warner .
- 3,920,007 11/1975 Line .
- 3,939,827 2/1976 Brunsletter .
- 3,982,530 9/1976 Storch .
- 4,074,712 2/1978 Wright .
- 4,194,502 3/1980 Eckels .
- 4,224,933 9/1980 Reiling .
- 4,381,000 4/1983 Duncan 600/39
- 4,449,521 5/1984 Panzer .
- 4,615,337 10/1986 Allinson .
- 4,672,954 6/1987 Panzer .
- 4,893,616 1/1990 Immonen .
- 4,971,071 11/1990 Johnson 600/39

FIG. 1 is a perspective view of the prosthetic device with a retaining strap according to the present invention;
 FIG. 2 is an end elevational view of the prosthetic device with a retaining strap according to the present invention;
 FIG. 3 is an opposite end elevational view of the prosthetic device with a retaining strap, meaning that FIG. 3 depicts the opposite end from that depicted in FIG. 2;
 FIG. 4 is a side elevational view of the prosthetic device with a retaining strap;
 FIG. 5 is an opposite side elevational view of the prosthetic device with a retaining strap, meaning that FIG. 5 depicts the side opposite to that shown in FIG. 4;
 FIG. 6 is a top plan view of the prosthetic device with a retaining strap; and,
 FIG. 7 is a bottom plan view of the prosthetic device with a retaining strap.

1 Claim, 3 Drawing Sheets

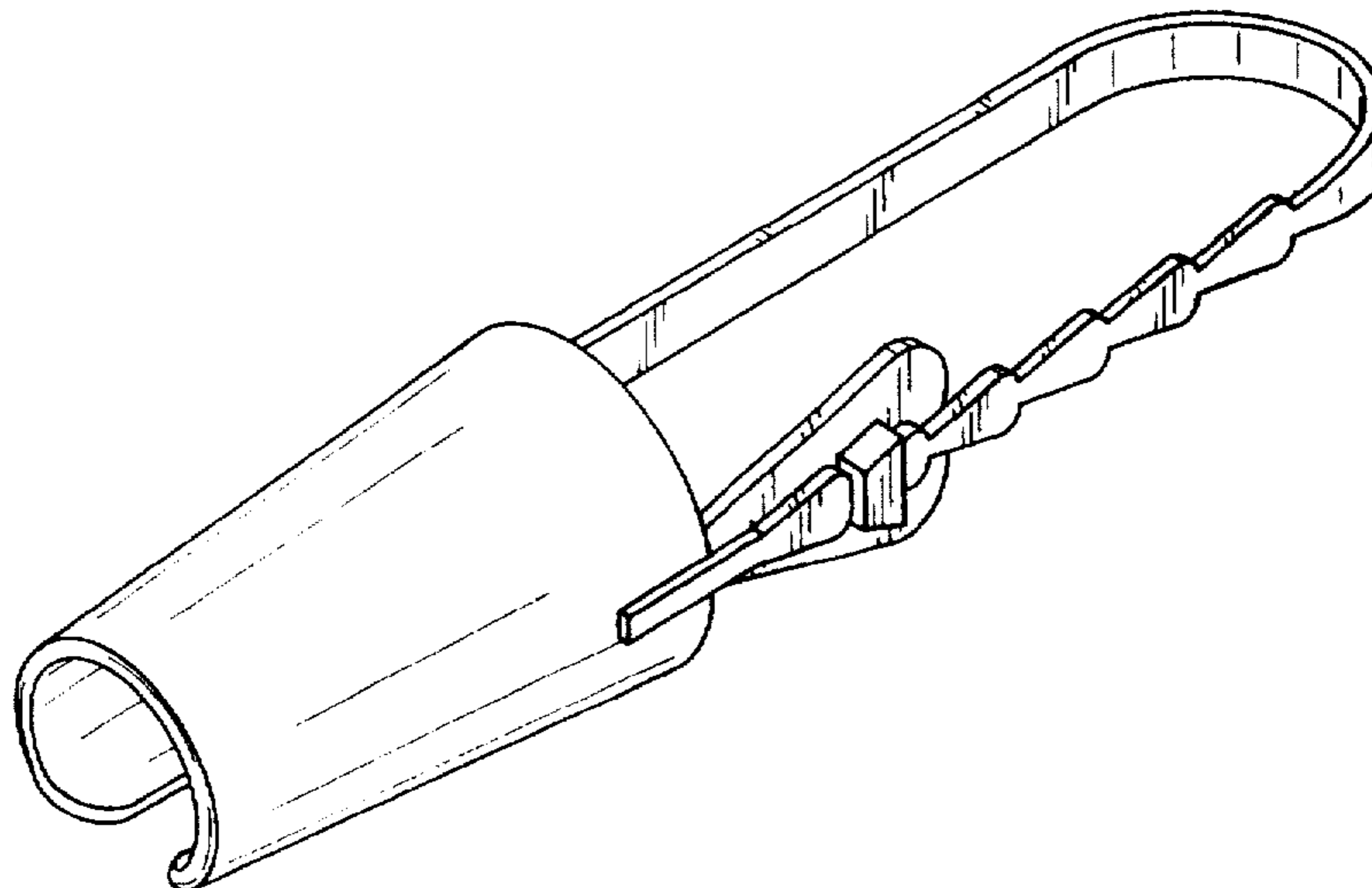


FIG. 1

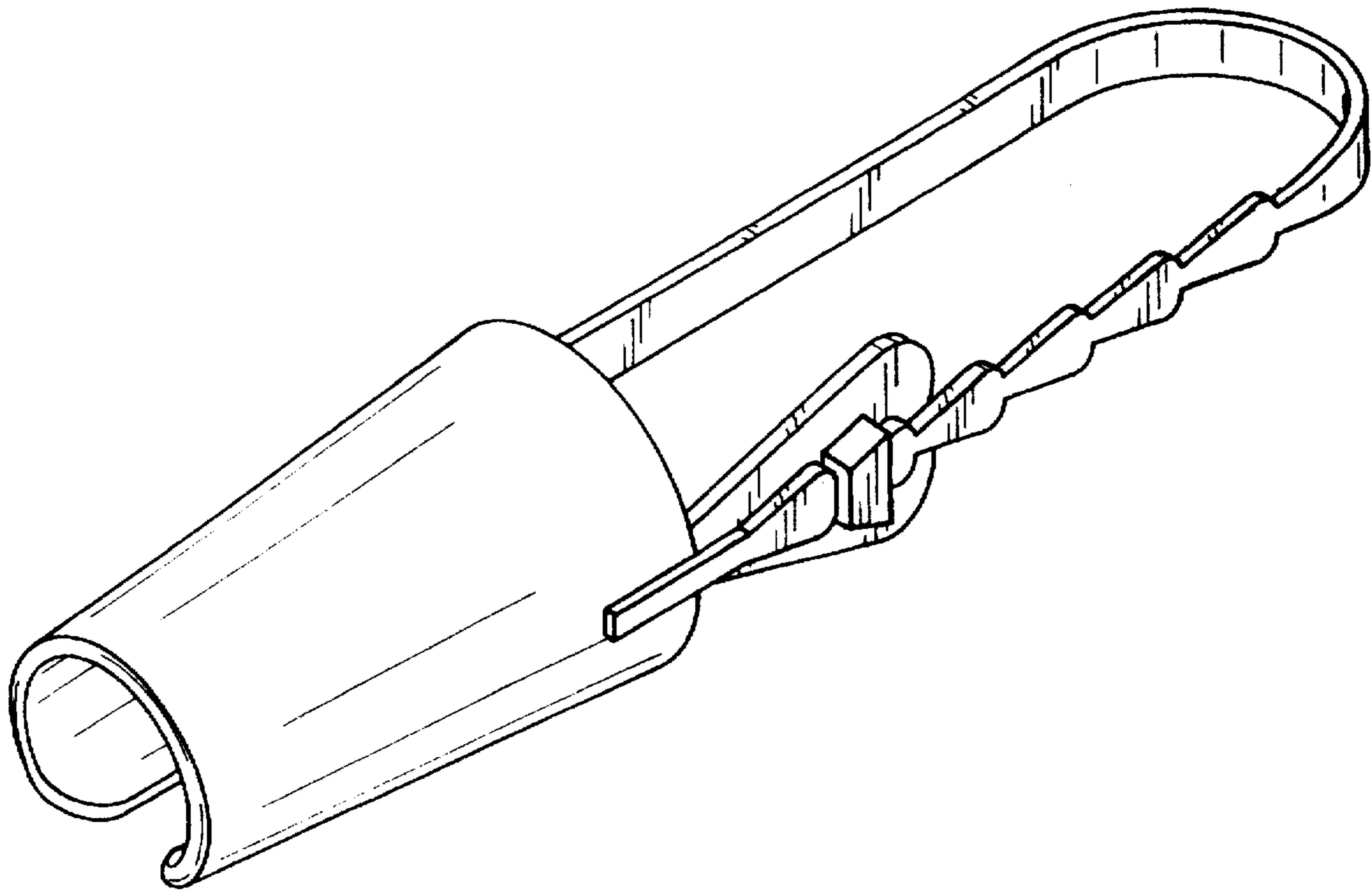


FIG. 2

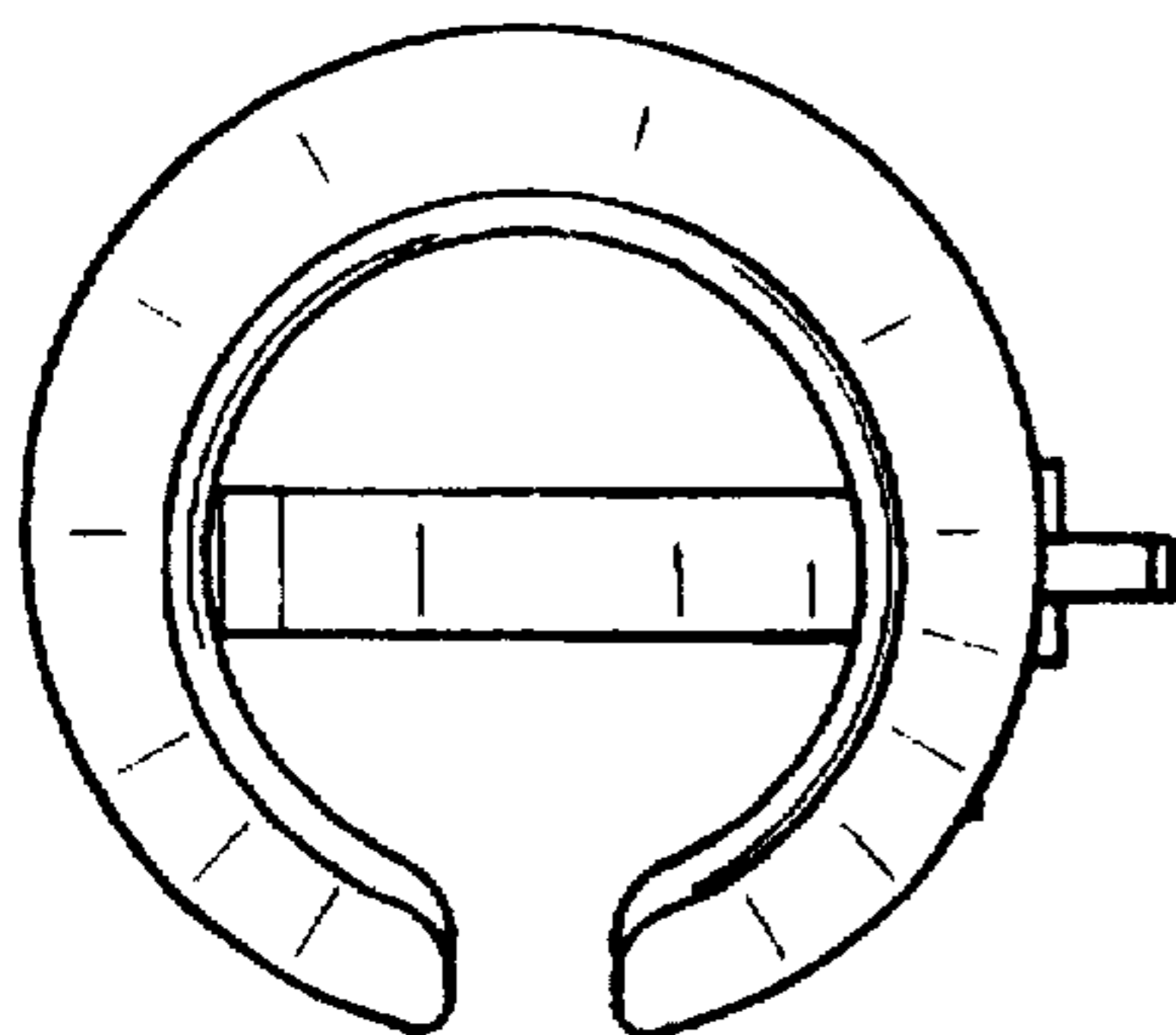
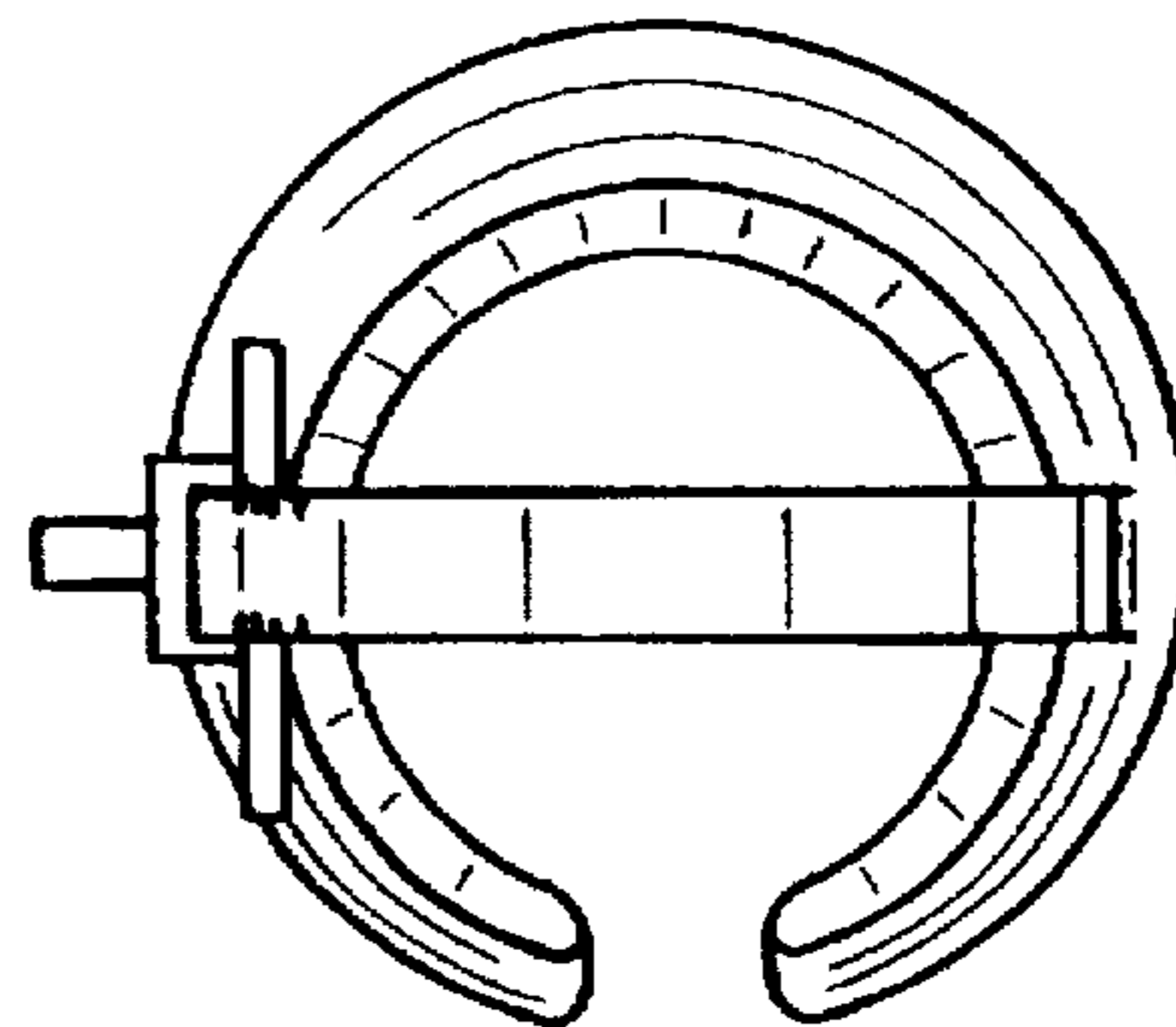


FIG. 3



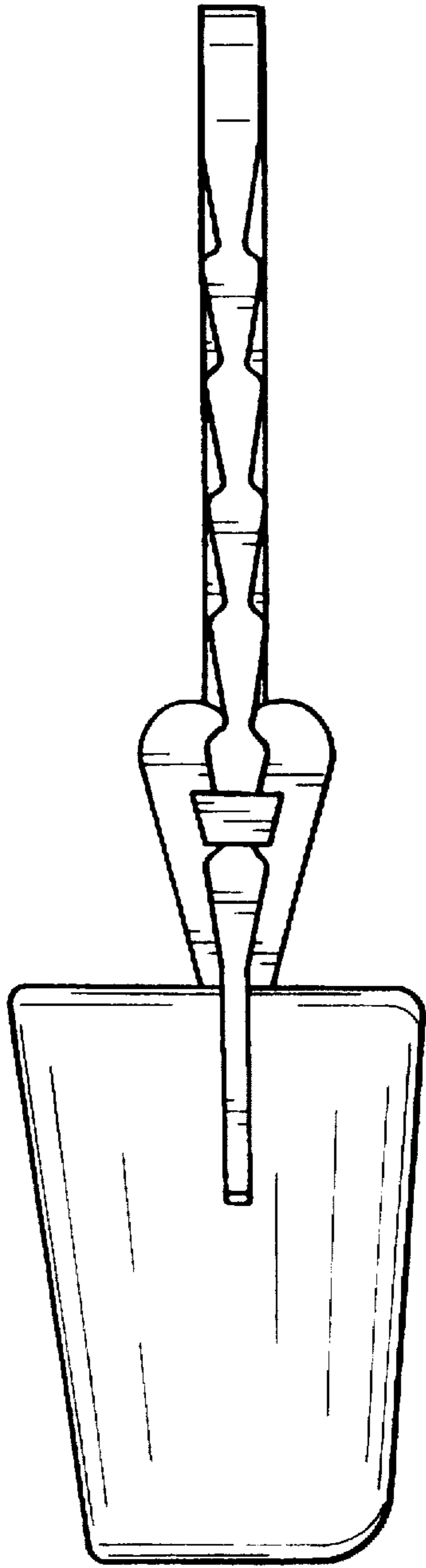


FIG. 4

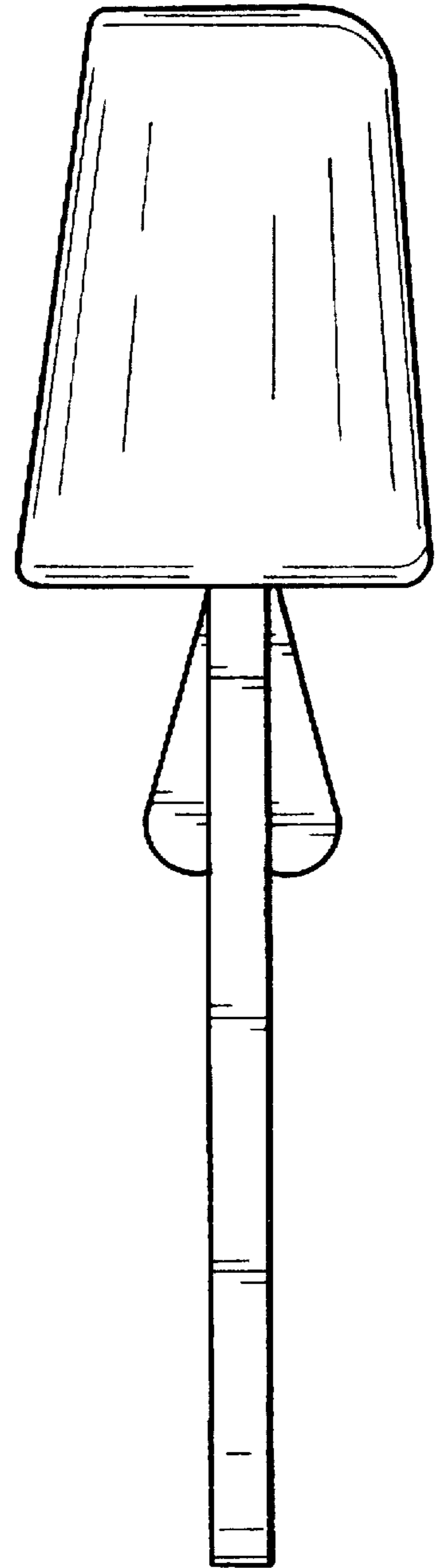


FIG. 5

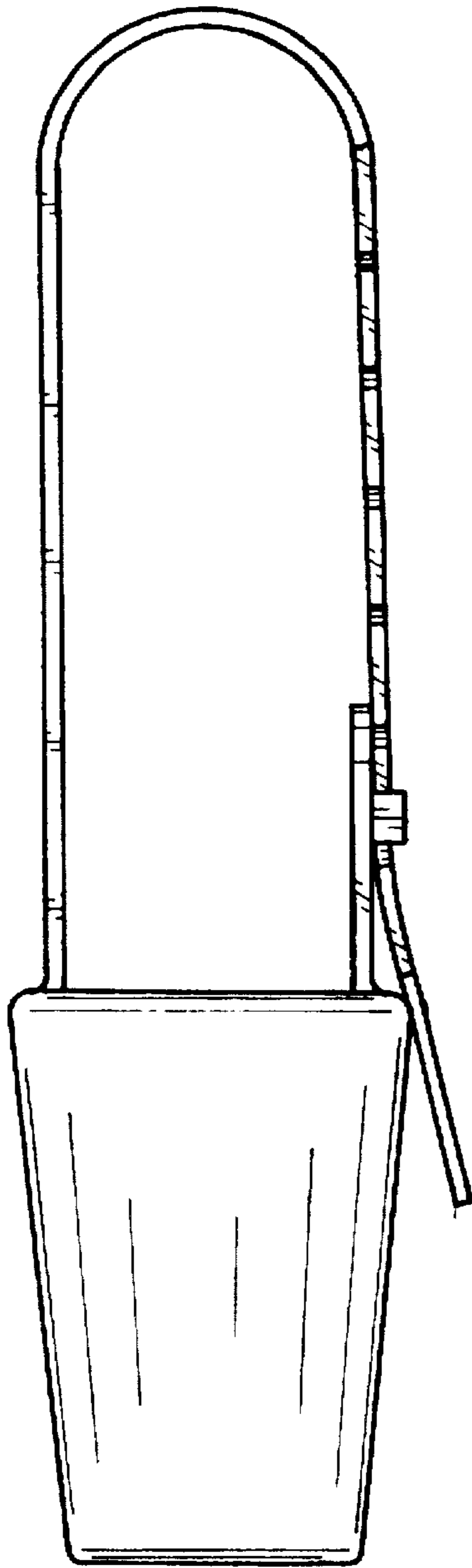


FIG. 6

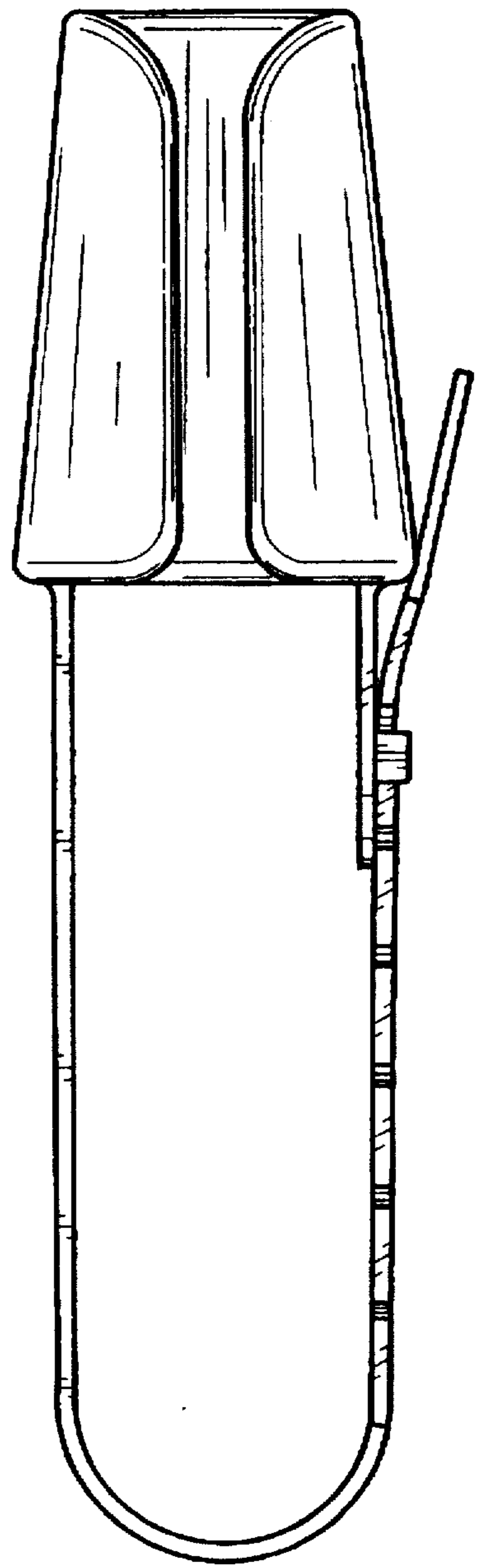


FIG. 7