



US00D394499S

United States Patent [19]

[11] Patent Number: **Des. 394,499**

Bettag et al.

[45] Date of Patent: ****May 19, 1998**

[54] **PORTABLE COOLANT RECONDITIONING UNIT**

4,811,999 3/1989 Remington et al. D34/20
5,671,605 9/1997 Helterbrand 62/292

[75] Inventors: **William Bettag**, Noblesville; **Ronald W. Lyon**, Carmel; **Greg Lyon**, Indianapolis, all of Ind.

Primary Examiner—Lisa Lichtenstein
Attorney, Agent, or Firm—Pearne, Gordon, McCoy & Granger LLP

[73] Assignee: **Coolant Wizard, Inc.**, Indianapolis, Ind.

[57] CLAIM

[**] Term: **14 Years**

The ornamental design for a portable coolant reconditioning unit, as shown and described.

[21] Appl. No.: **75,284**

[22] Filed: **Jul. 19, 1997**

DESCRIPTION

[51] LOC (6) Cl. **23-03**

[52] U.S. Cl. **D23/332; D23/314; D34/14; D34/17**

[58] Field of Search **D23/314, 317, D23/332; 62/258, 292; D34/17, 14, 19, 20, 21**

FIG. 1 is a perspective view showing a top, rear, and right side of the portable coolant reconditioning unit according to the present design;

FIG. 2 is a left side elevational view thereof;

FIG. 3 is a top plan view thereof;

FIG. 4 is a rear elevational view thereof;

FIG. 5 is a right side elevational view thereof;

FIG. 6 is a front elevational view thereof; and

FIG. 7 is a bottom plan view thereof.

The broken-line showing of environmental structure in FIGS. 1-7 is for illustrative purposes only and forms no part of the claimed design.

[56] References Cited

U.S. PATENT DOCUMENTS

D. 94,459 2/1935 Anderson D34/19
D. 186,657 11/1959 Blickman D34/20

1 Claim, 4 Drawing Sheets

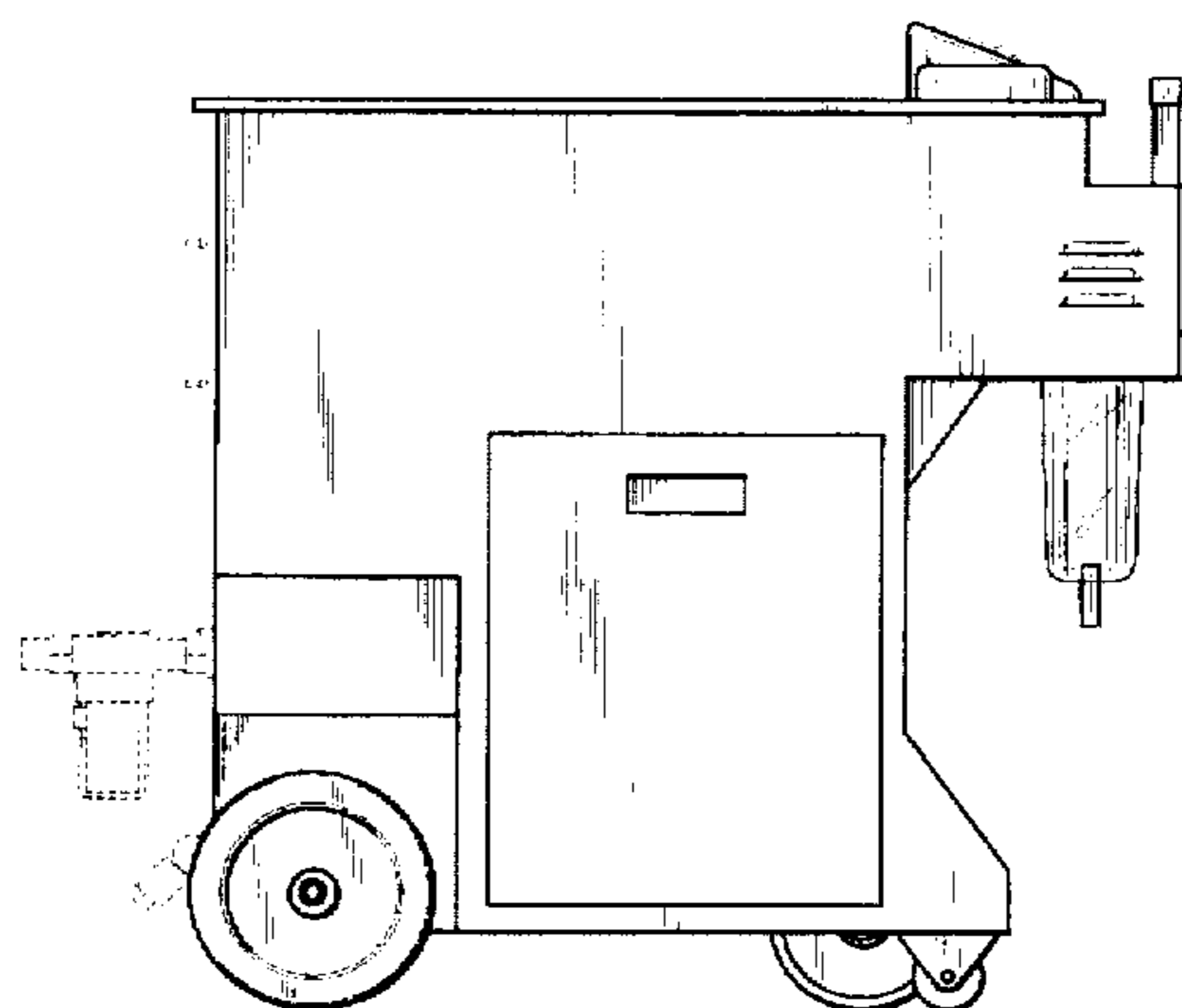
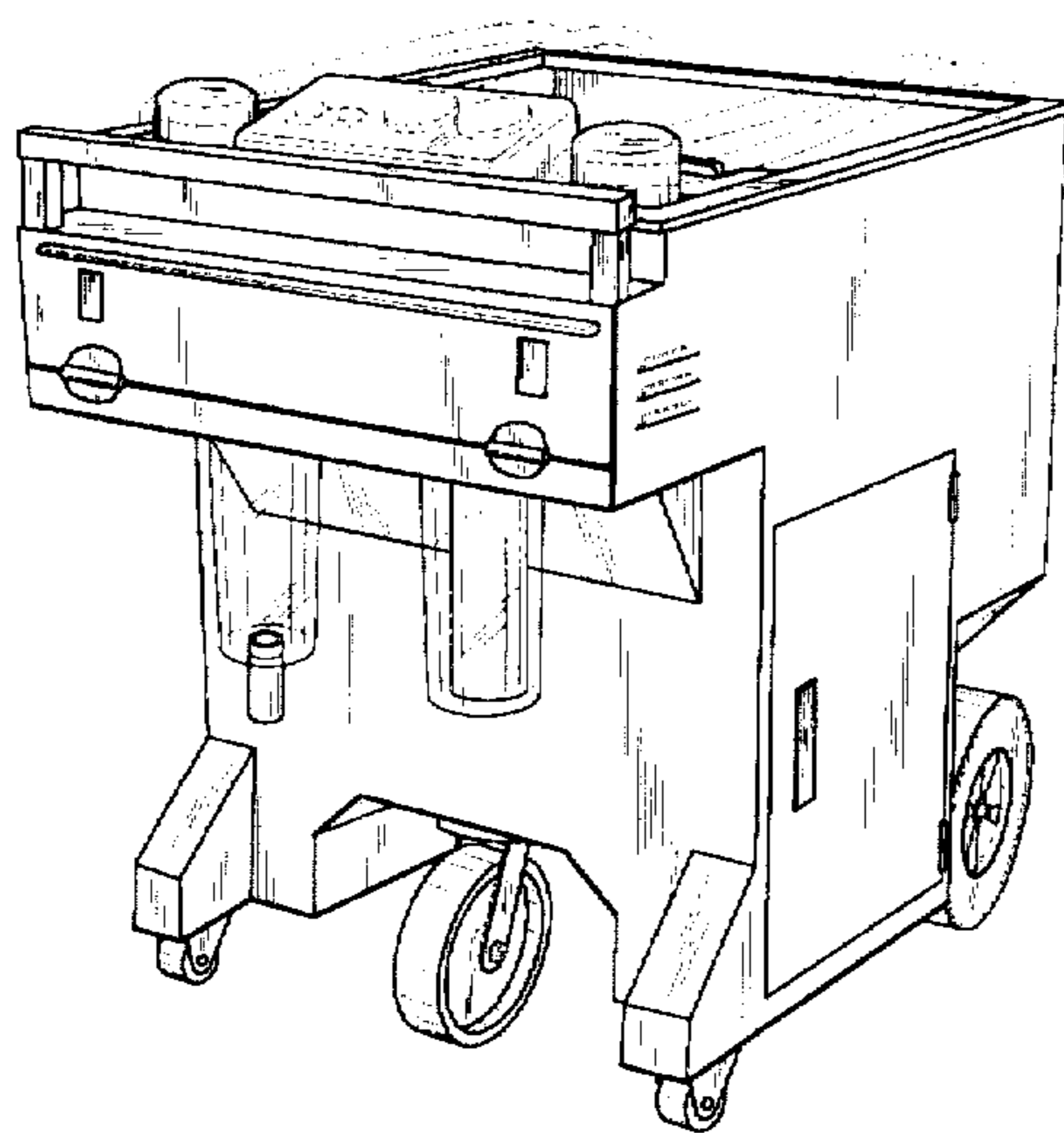
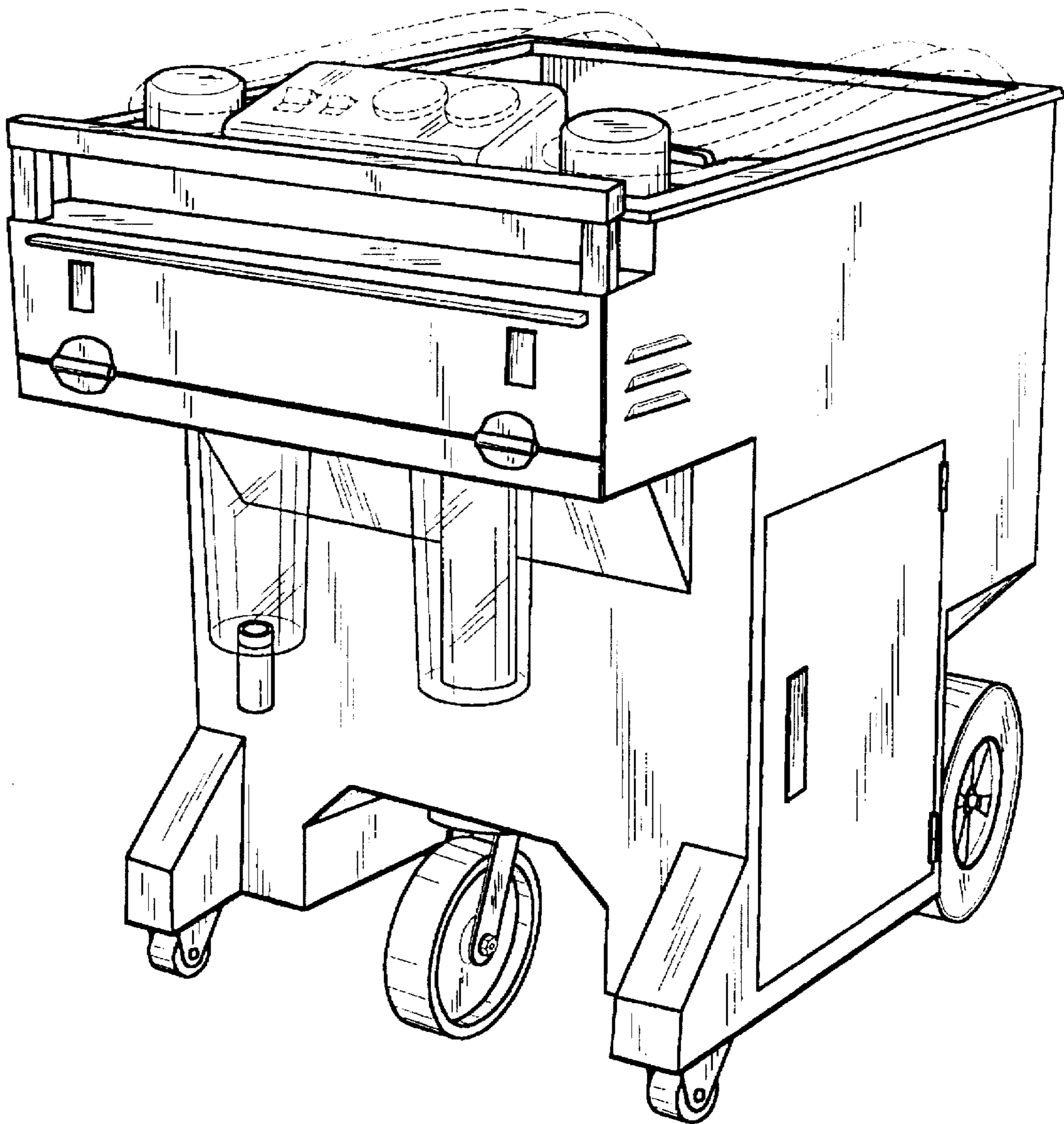


Fig. 1



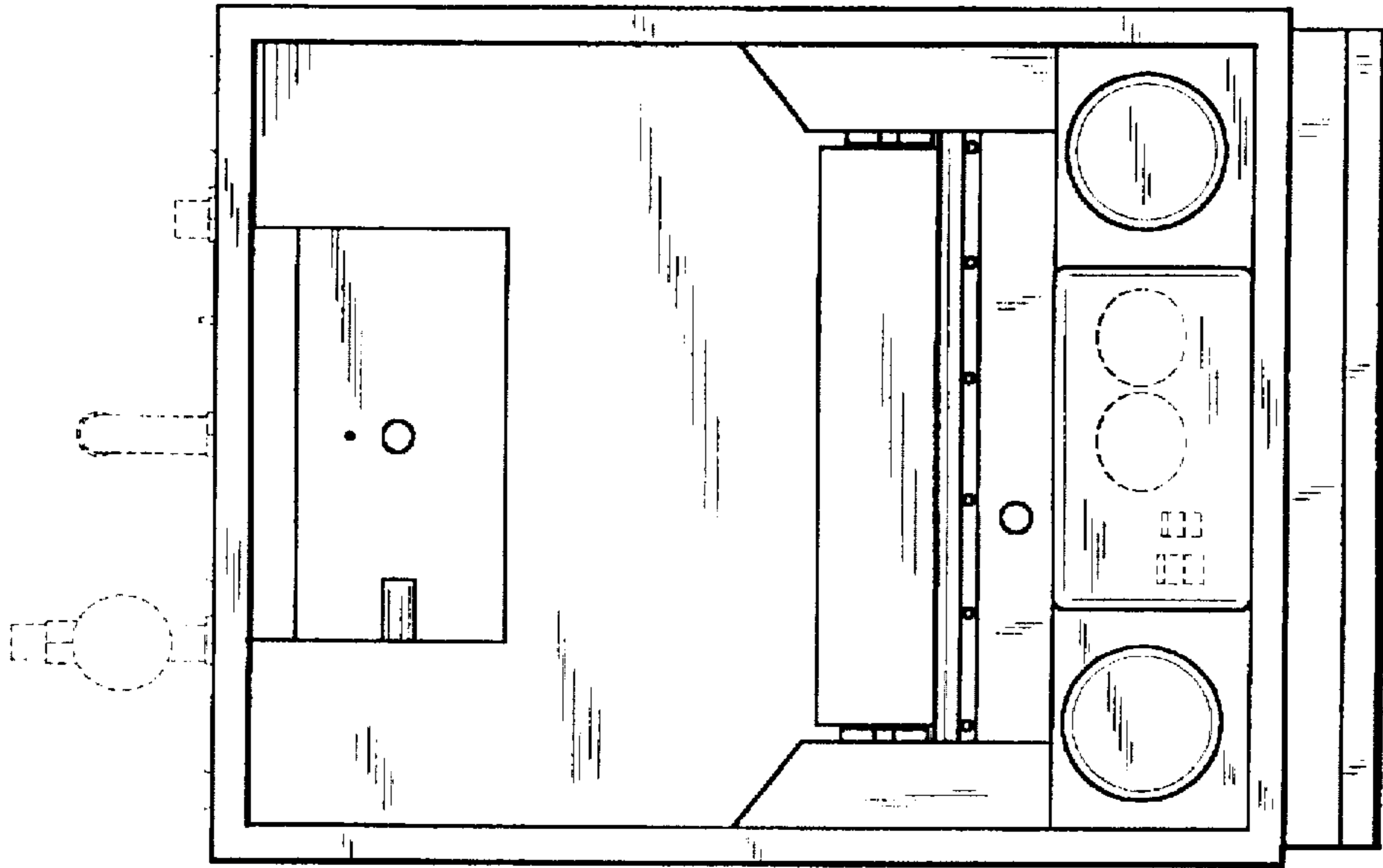


Fig.3

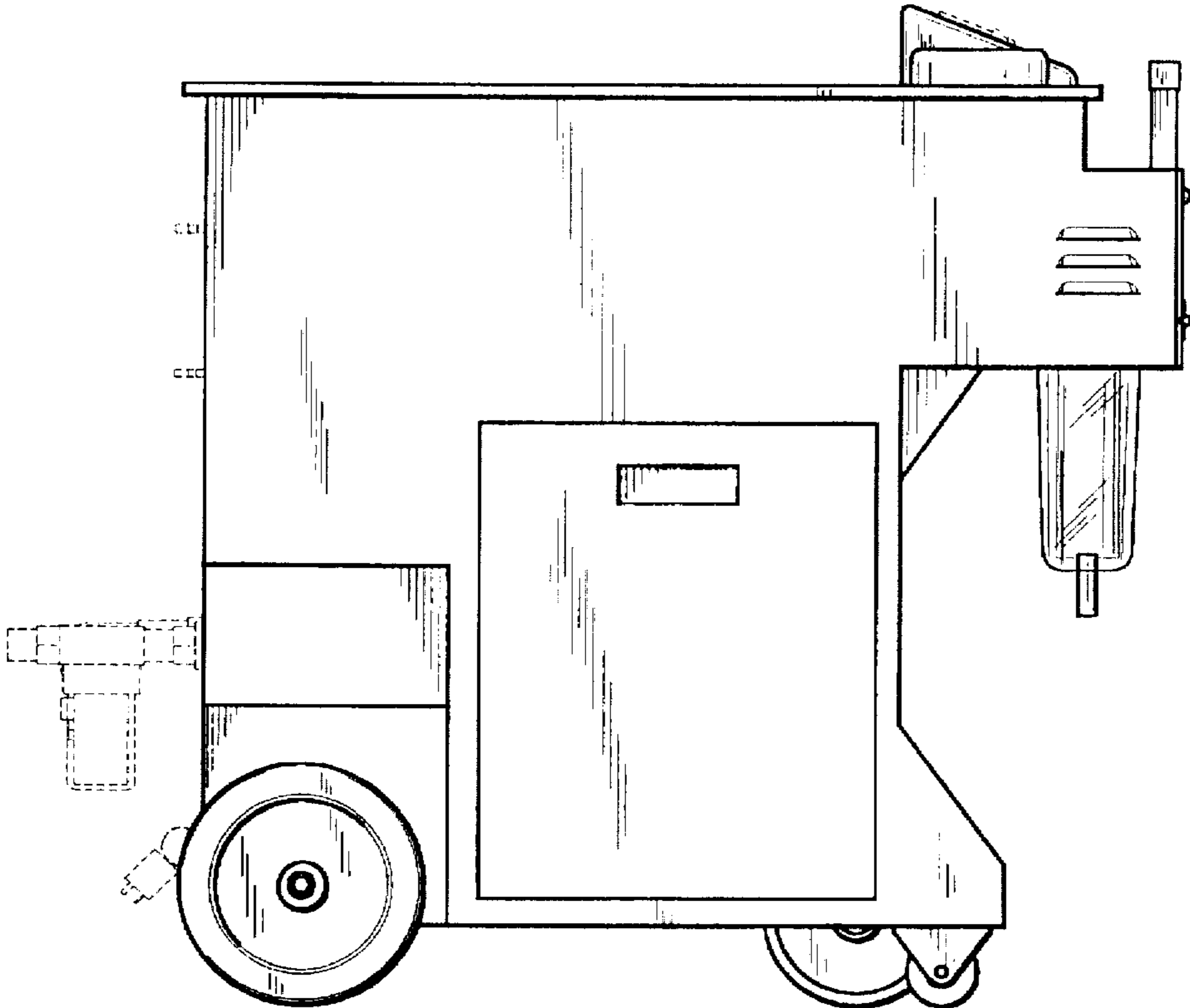


Fig.2

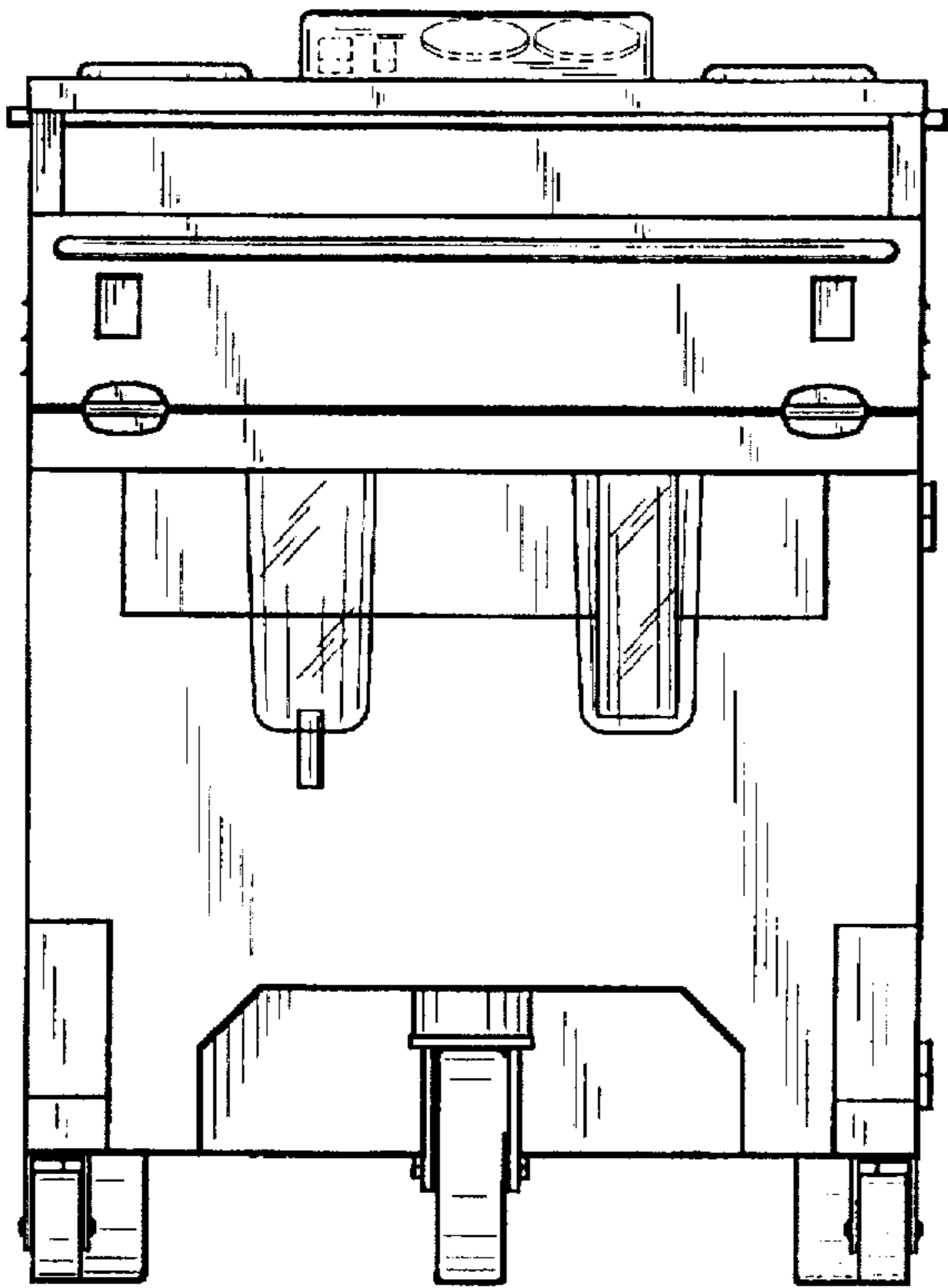


Fig.4

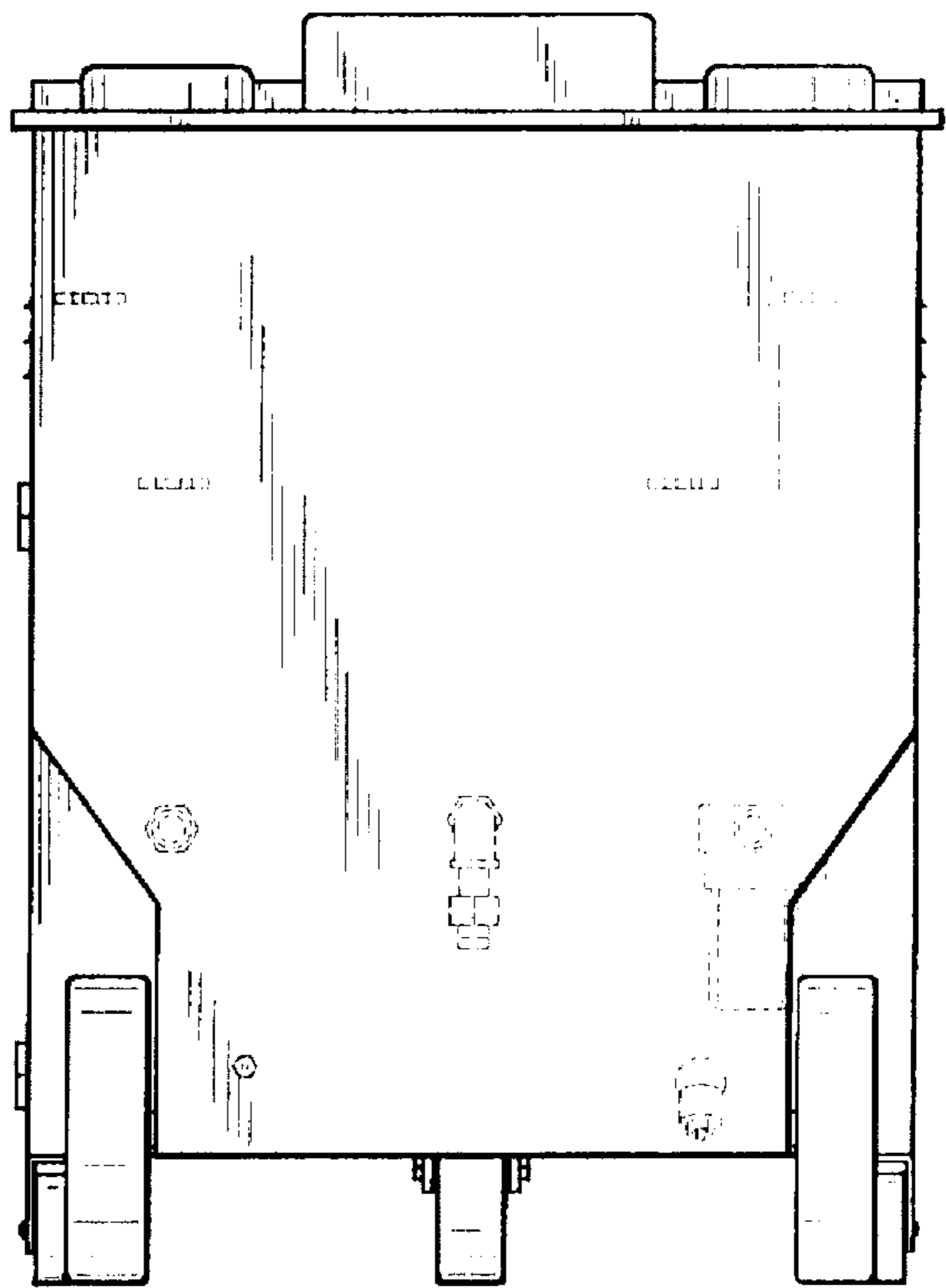


Fig.6

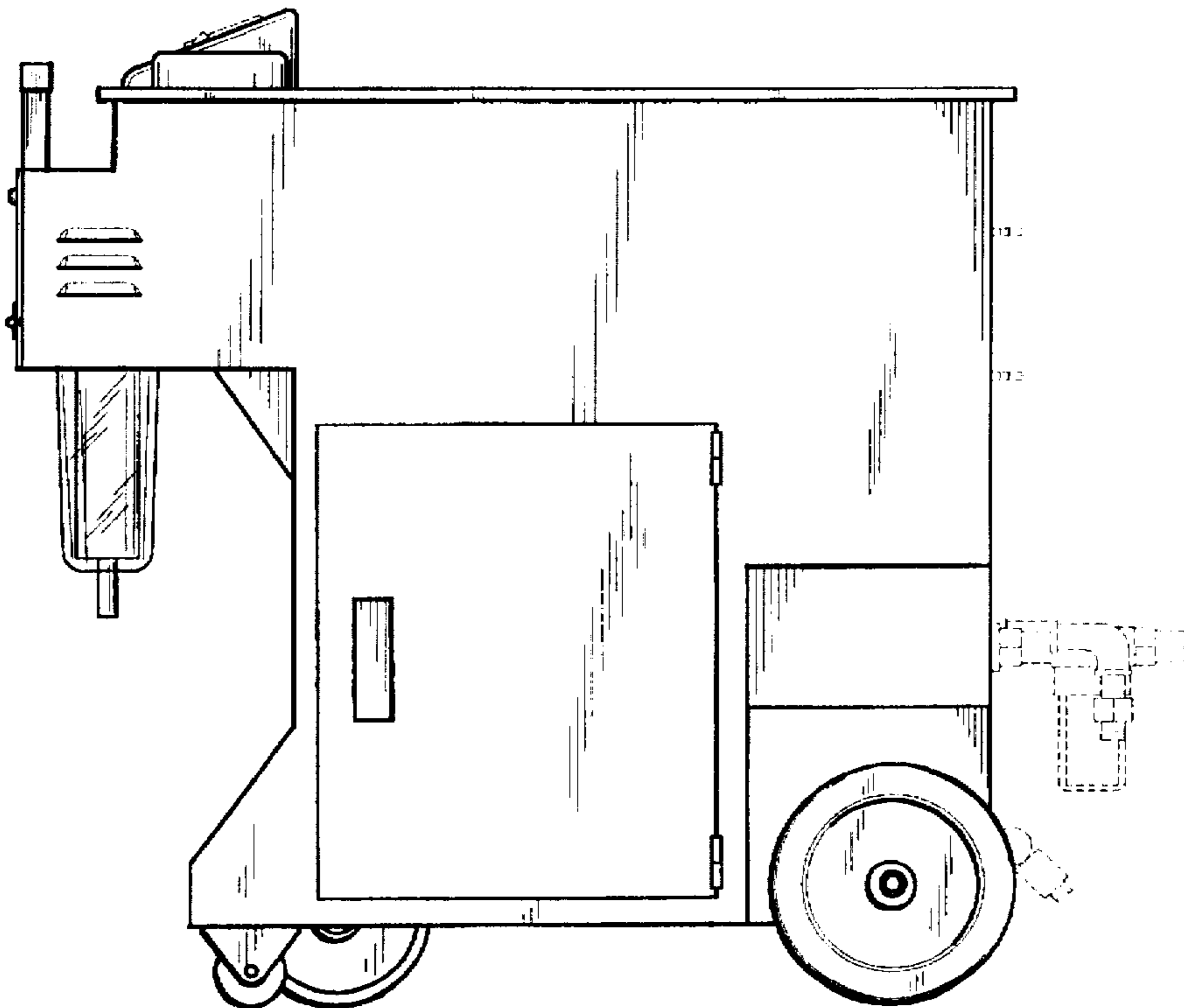


Fig.5

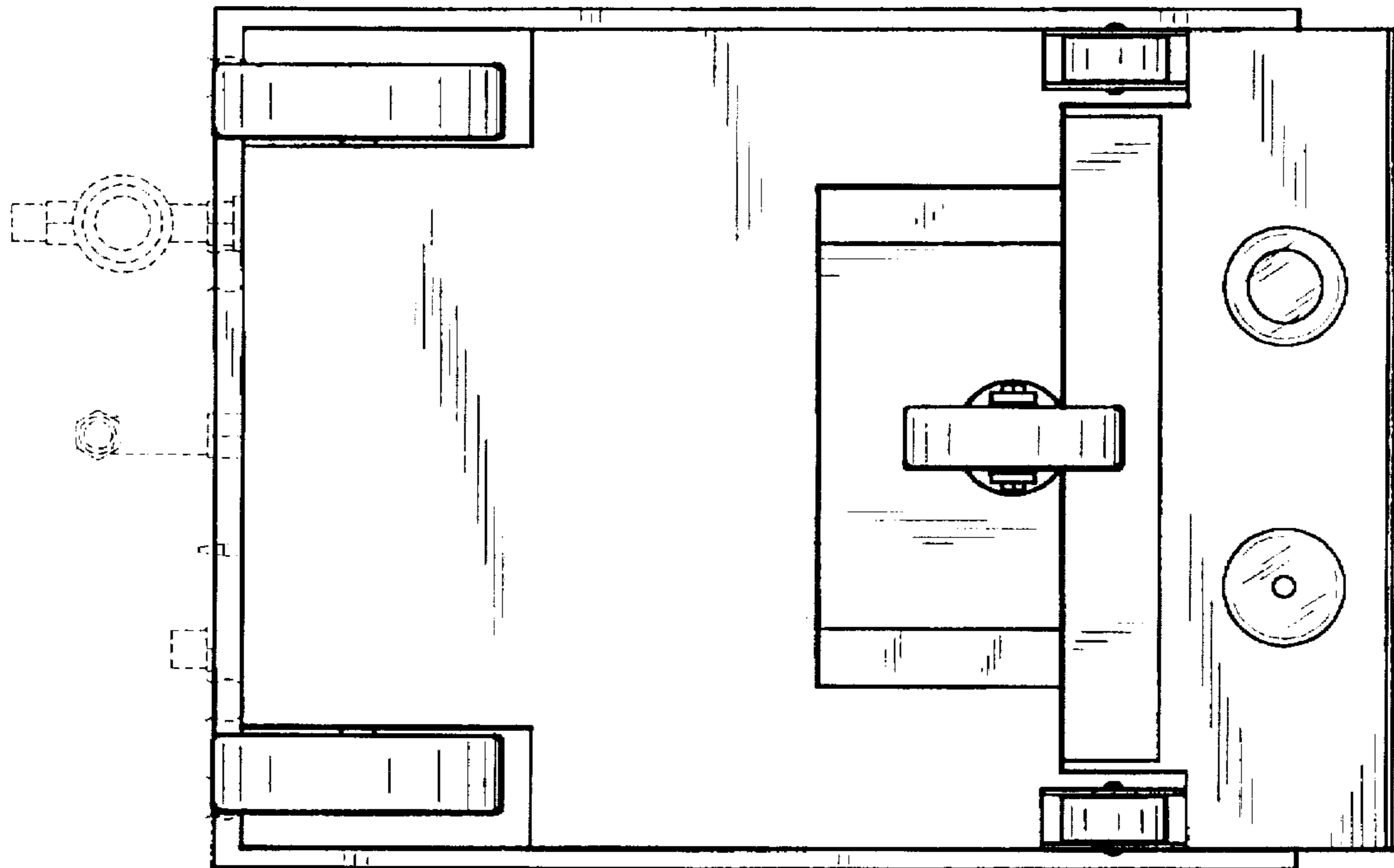


Fig.7

UNITED STATES PATENT AND TRADEMARK OFFICE
CERTIFICATE OF CORRECTION

PATENT NO. : Des. 394,499
DATED : May 19, 1998
INVENTOR(S) : Bettag et al.

It is certified that error appears in the above-identified patent and that said Letters Patent is hereby corrected as shown below:

On the title page, item [22]:

Delete "Filed: Jul. 19, 1997" and
Insert --Filed: Aug. 18, 1997--.

Signed and Sealed this
Twenty-ninth Day of August, 2000

Attest:



Q. TODD DICKINSON

Attesting Officer

Director of Patents and Trademarks